

MP6632

-UN-01JAN94



## **JOHN DEERE 870 TRACTOR** *COLLAR TRANSMISSION*

1989 MODEL (SERIAL NUMBER M00870A001001-001624)  
1990 MODEL (SERIAL NUMBER M00870A001625-001859)  
1991 MODEL (SERIAL NUMBER M00870A101861-101983)  
1992 MODEL (SERIAL NUMBER M00870A110001-120000)  
1993 MODEL (SERIAL NUMBER M00870A120001-130000)  
1994 MODEL (SERIAL NUMBER M00870A130001-140000)  
1995 MODEL (SERIAL NUMBER M00870A140001-150000)  
1996 MODEL (NO MODELS PRODUCED)  
1997 MODEL (NO MODELS PRODUCED)

### *SYNCHRONIZED TRANSMISSION*

1989 MODEL (SERIAL NUMBER M00870B001001-002747)  
1990 MODEL (SERIAL NUMBER M00870B002748-003793)  
1991 MODEL (SERIAL NUMBER M00870B103795-105224)  
1992 MODEL (SERIAL NUMBER M00870B115001-120000)  
1993 MODEL (SERIAL NUMBER M00870B120001-130000)  
1994 MODEL (SERIAL NUMBER M00870B130001-140000)  
1995 MODEL (SERIAL NUMBER M00870B140001-150000)  
1996 MODEL (SERIAL NUMBER M00870B150001-160000)  
1997 MODEL (SERIAL NUMBER M00870B160001- )

*(SPECIFICATIONS AND DESIGN SUBJECT TO CHANGE WITHOUT NOTICE)*

MP6633

-UN-01JAN94



## **JOHN DEERE 970 TRACTOR** *COLLAR TRANSMISSION*

1989 MODEL (SERIAL NUMBER M00970A001001-001337)  
1990 MODEL (SERIAL NUMBER M00970A001338-001516)  
1991 MODEL (SERIAL NUMBER M00970A101518-101592)  
1992 MODEL (SERIAL NUMBER M00970A110001-120000)  
1993 MODEL (SERIAL NUMBER M00970A120001-130000)  
1994 MODEL (SERIAL NUMBER M00970A130001-140000)  
1995 MODEL (SERIAL NUMBER M00970A140001-150000)  
1996 MODEL (SERIAL NUMBER M00970A150001-160000)  
1997 MODEL (SERIAL NUMBER M00970A160000- )

### *SYNCHRONIZED TRANSMISSION*

1989 MODEL (SERIAL NUMBER M00970B001001-002241)  
1990 MODEL (SERIAL NUMBER M00970B002242-003212)  
1991 MODEL (SERIAL NUMBER M00970B103215-104283)  
1992 MODEL (SERIAL NUMBER M00970B110001-120000)  
1993 MODEL (SERIAL NUMBER M00970B120001-130000)  
1994 MODEL (SERIAL NUMBER M00970B130001-140000)  
1995 MODEL (SERIAL NUMBER M00970B140001-150000)  
1996 MODEL (SERIAL NUMBER M00970B150001-160000)  
1997 MODEL (SERIAL NUMBER M00970B160000- )

*(SPECIFICATIONS AND DESIGN SUBJECT TO CHANGE WITHOUT NOTICE)*

MP6634

-UN-01JAN94



## **JOHN DEERE 1070 TRACTOR** *SYNCHRONIZED TRANSMISSION*

1989 MODEL (SERIAL NUMBER M01070A001001-002264)  
1990 MODEL (SERIAL NUMBER M01070A002265-003811)  
1991 MODEL (SERIAL NUMBER M01070A103814-105316)  
1992 MODEL (SERIAL NUMBER M01070A115001-120000)  
1993 MODEL (SERIAL NUMBER M01070A120001-130000)  
1994 MODEL (SERIAL NUMBER M01070A130001-140000)  
1995 MODEL (SERIAL NUMBER M01070A140001-150000)  
1996 MODEL (SERIAL NUMBER M01070A150001-160000)  
1997 MODEL (SERIAL NUMBER M01070A160000- )

*(SPECIFICATIONS AND DESIGN SUBJECT TO CHANGE WITHOUT NOTICE)*

## SECTION INDEX

GENERAL INFORMATION .....	10
ENGINE .....	20
FUEL AND AIR .....	30
ELECTRICAL .....	40
POWER TRAIN .....	50
MID-PTO KIT (OPTIONAL) .....	55
STEERING AND BRAKES .....	60
HYDRAULICS .....	70
WHEELS, FRONT AXLES, SHEET METAL .....	80
OPERATOR'S STATION .....	90
1070 CREEPER VERSION .....	92
NUMERICAL INDEX .....	95

## PRODUCT IDENTIFICATION AND SERIAL NUMBER PLATE

AN INDIVIDUAL PRODUCT IDENTIFICATION AND SERIAL NUMBER IS ASSIGNED TO EACH MACHINE. WHEN WRITING ABOUT OR FILLING OUT WARRANTY CLAIMS, USE ALL THE CHARACTERS SHOWN ON THE PLATE.

EXAMPLE: M00870A110001

M0- FACTORY DESIGNATION (HORICON WORKS)  
0870- MODEL OR MACHINE DESIGNATION COMPACT UTILITY TRACTOR  
A- CONFIGURATION CODE (COLLAR TRANSMISSION)  
110001- SERIAL NUMBER

## PRODUCT CONFIGURATION CODE

THE CONFIGURATION "ALPHA" CODE IDENTIFIES A VARIATION OF A PRODUCT. (EXAMPLE: A 116 LAWN TRACTOR MAY BE MANUFACTURED AS A HYDROSTATIC OR MANUAL UNIT, AND BE SHIPPED WITH A 970MM OR 1170MM MOWER. FOUR VARIATIONS OF THE 116 LAWN TRACTOR EXIST.)

IT ALSO IDENTIFIES DIFFERENT PRODUCTS WHICH HAVE THE SAME MODEL OR MACHINE DESIGNATION. (EXAMPLE: 216 TRACTOR AND 216 TILLER)

IF NO CONFIGURATION "ALPHA" CODE IS REQUIRED, SPACE IS FILLED IN WITH AN "X".

## SERIAL NUMBER LISTING INFORMATION

SERIAL NUMBER INFORMATION IS LISTED TO SHOW ON WHICH MACHINES EACH PART CAN BE USED; FOR EXAMPLE:

- THE PART CAN BE USED ON ALL MACHINES.
- 000000 - THE PART CAN BE USED ON MACHINES BEGINNING WITH THE SERIAL NUMBER LISTED.
- 000000 THE PART CAN BE USED ON MACHINES UP TO AND INCLUDING THE SERIAL NUMBER LISTED.
- 000000 - 000000 THE PART CAN BE USED ON MACHINES BETWEEN AND INCLUDING THE SERIAL NUMBERS LISTED.

WHEN XXXXXX'S ARE LISTED IN PLACE OF A SERIAL NUMBER, A SERIAL NUMBER CHANGE WAS MADE, BUT THE EXACT SERIAL NUMBER WAS NOT AVAILABLE WHEN THE CATALOG WAS PRODUCED.

## **BOX-ENCLOSED ILLUSTRATIONS**

A KEY NUMBER, SHOWN IN THE PARTS LIST, IS ASSIGNED TO A BOX ENCLOSING ALL PARTS SOLD AS A SERVICE ASSEMBLY.

## **BOLT AND CAP SCREW STRENGTH IDENTIFICATION**

BOLTS AND CAP SCREWS REQUIRED TO HAVE HIGH-STRENGTH QUALITIES EQUIVALENT TO SAE GRADE 8 ARE IDENTIFIED THROUGHOUT THIS CATALOG BY THE DESCRIPTION HS SAE 8 (10.9 FOR METRIC). ALL STANDARD BOLTS AND CAP SCREWS ARE SAE GRADE 5 (METRIC 8.8) OR LOWER.

## **WHOLE GOODS LISTINGS**

WHOLE GOODS ARE LISTED IN BOLD FACE TYPE. REFER TO LAWN AND GROUNDS CARE SALES MANUAL FOR WHOLE GOODS ORDERING INFORMATION. ORDER SEPARATELY. DO NOT INCLUDE ON REPLACEMENT PARTS ORDER.

## **DIRECTION ARROW**

ARROWS ARE USED WITH ILLUSTRATIONS TO INDICATE THE FRONT OF THE UNIT. "RIGHT-HAND" AND "LEFT-HAND" SIDES ARE DETERMINED BY FACING IN THE DIRECTION OF MACHINE FORWARD TRAVEL.

## **TO THE CUSTOMER**

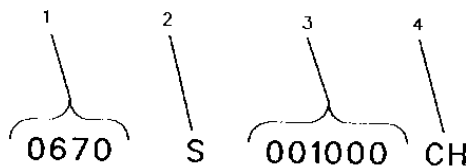
THE PART NUMBERS IN THIS PARTS CATALOG WERE CORRECT AT THE TIME THIS CATALOG WAS PUBLISHED. IT IS OUR POLICY TO CONSTANTLY IMPROVE OUR MACHINES AND THEREFORE PART NUMBERS MAY CHANGE WHEN ORDERING PARTS. VERIFY PART NUMBERS THROUGH YOUR DEALER.

## TRACTOR SERIAL NUMBER

EACH 70 SERIES TRACTOR HAS THE FOLLOWING SERIAL NUMBER PLATES: BASIC TRACTOR AND ENGINE.

**870 TRACTOR SERIAL NUMBER UP TO XXXXXX**  
**970 TRACTOR SERIAL NUMBER UP TO XXXXXX**  
**1070 TRACTOR SERIAL NUMBER UP TO XXXXXX**

MP6414 -UN-01JAN94

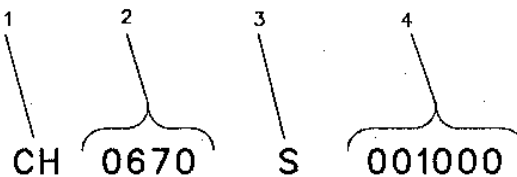


MP6414

- |                                     |                  |
|-------------------------------------|------------------|
| 1. DESIGNATES TRACTOR MODEL         | 870/970/1070     |
| 2. DESIGNATES TRANSMISSION TYPE     | S - SLIDING GEAR |
| 3. DESIGNATES TRACTOR SERIAL NUMBER |                  |
| 4. DESIGNATES TRACTOR MANUFACTURER  | CH - YANMAR      |

**870 TRACTOR SERIAL NUMBER XXXXXX AND UP**  
**970 TRACTOR SERIAL NUMBER XXXXXX AND UP**  
**1070 TRACTOR SERIAL NUMBER XXXXXX AND UP**

MP6415 -UN-14MAY96



MP6415

- |                                     |                  |
|-------------------------------------|------------------|
| 1. DESIGNATES TRACTOR MANUFACTURER  | CH - YANMAR      |
| 2. DESIGNATES TRACTOR MODEL         | 870/970/1070     |
| 3. DESIGNATES TRANSMISSION TYPE     | S - SLIDING GEAR |
| 4. DESIGNATES TRACTOR SERIAL NUMBER |                  |

RW1680 -UN-01JAN94



THE BASIC TRACTOR SERIAL NUMBER PLATE IS LOCATED AT THE REAR OF THE TRANSMISSION CASE AT THE PTO SHAFT

## ALPHABETICAL INDEX

GRID		PAGE	GRID		PAGE
	A				
1F21	ACCELERATOR LEVER AND FOOT PEDAL.....	50-44	1K3	BRACKET, FRONT WEIGHT.....	80-12
2A23	ADJUSTER, SEAT (SEE PAGE FOR SN).....	90-6	1I9	BRACKET, ROCKSHAFT.....	70-16
2B1	ADJUSTER, SEAT (SEE PAGE FOR SN).....	90-8	1I23	BRACKET, SCV.....	70-30
1D1	AIR CLEANER (870).....	30-16	1H15	BRAKE.....	60-16
1D3	AIR CLEANER (970/1070).....	30-18	1G23	BRAKE LEVER, PTO.....	55-4
1D10	ALTERNATOR.....	40-4	1H13	BRAKE PEDAL AND SHAFT.....	60-14
2B13	ARM, CREEPER SHIFT.....	92-10	1D18	BRAKE SWITCH.....	40-12
1I7	ARM, DRAFT CONTROL (W/DRAFT SENSING).....	70-14	1H13	BRAKE, PARK.....	60-14
1G9	ARM, KNUCKLE (870 MFWD).....	50-56	1A22	BREATHER, CRANCKCASE (870).....	20-4
1G12	ARM, KNUCKLE (970/1070 MFWD).....	50-60	1A24	BREATHER, CRANCKCASE (970/1070).....	20-6
1I7	ARM, POSITION CONTROL (W/DRAFT SENSING).....	70-14	1D12	BRUSH ASSEMBLY, STARTER (870 1.4 KW)(970, 1070).....	40-6
1E18	ARM, PTO SHIFT.....	50-16	1D14	BRUSH ASSEMBLY, STARTER (870 1.2 KW).....	40-8
1E20	ARM, RANGE SHIFT.....	50-18	1D16	BULB, HEADLIGHT.....	40-10
1B1	ARM, ROCKER (870).....	20-8	1D8	BULB, INSTRUMENT PANEL.....	40-2
1B3	ARM, ROCKER (970/1070).....	20-10	1D18	BULB, TAIL LIGHT.....	40-12
1I3	ARM, ROCKSHAFT LIFT.....	70-10	1B17	BUSHING, BALANCER (970/1070).....	20-24
1K1	ARM, STEERING (2WD).....	80-10			
1G7	ARM, STEERING (870 MFWD).....	50-54	C		
1G12	ARM, STEERING (970/1070 MFWD).....	50-60	1B11	CAMSHAFT, GEAR AND CAM FOLLOWER.....	20-18
1D12	ARMATURE, STARTER (870 1.4 KW)(970, 1070).....	40-6	2A19	CANOPY, ROLL-GARD.....	90-2
1D14	ARMATURE, STARTER (870 1.2 KW).....	40-8	1H1	CAP ASSEMBLY, STEERING.....	60-2
1G18	AXLE HOUSING (970/1070 MFWD).....	50-66	1D20	CAP, BATTERY.....	40-14
1F15	AXLE HOUSING, REAR (1070).....	50-38	1C3	CAP, EXPANSION TANK.....	20-34
1F13	AXLE HOUSING, REAR (870/970).....	50-36	1C13	CAP, FUEL TANK.....	30-4
1K1	AXLE HUB (2WD).....	80-10	1B23	CAP, GEAR HOUSING OIL.....	20-30
1G14	AXLE SHAFT, FRONT (970/1070 MFWD).....	50-62	1A22	CAP, OIL FILLER (870).....	20-4
1J24	AXLE, FRONT (2WD).....	80-8	1A24	CAP, OIL FILLER (970/1070).....	20-6
	B		1C3	CAP, RADIATOR.....	20-34
1A22	BAFFLE, BREATHER (870).....	20-4	1F19	CARRIER, PLANETARY (1070).....	50-42
1A24	BAFFLE, BREATHER (970/1070).....	20-6	1F17	CARRIER, PLANETARY (870/970).....	50-40
1B17	BALANCER ASSEMBLY (970/1070).....	20-24	1G16	CASE, DIFFERENTIAL (870 MFWD).....	50-64
1J20	BAR TIRE (MFWD).....	80-4	1G18	CASE, DIFFERENTIAL (970/1070 MFWD).....	50-66
1J18	BAR TIRE (2WD).....	80-2	1G14	CASE, FINAL GEAR (970/1070 MFWD).....	50-62
1D20	BATTERY, BRACKET AND COVER.....	40-14	1G14	CASE, FRONT BEARING (970/1070 MFWD).....	50-62
1B15	BEARING SET, ROD.....	20-22	1B23	CASE, GEAR (ENGINE).....	20-30
1D10	BEARING, ALTERNATOR.....	40-4	1G5	CASE, GEAR (870 MFWD).....	50-52
1G7	BEARING, FRONT SPINDLE (870 MFWD).....	50-54	1C17	CASE, GOVERNOR.....	30-8
1G10	BEARING, FRONT SPINDLE (970/1070 MFWD).....	50-58	1H21	CASE, ROCKSHAFT.....	70-4
1B7	BEARING, MAIN (870).....	20-14	1G7	CASE, SIDE GEAR (870 MFWD).....	50-54
1B9	BEARING, MAIN (970/1070).....	20-16	1J13	CENTER LINK (3-POINT HITCH).....	70-44
1F5	BEARING, PTO DRIVESHAFT.....	50-28	2B12	CENTER PLATE (1070 CREEPER VERSION).....	92-8
1F15	BEARING, REAR AXLE (1070).....	50-38	1K15	CLUTCH COVER.....	80-24
1F13	BEARING, REAR AXLE (870/970).....	50-36	2C1	CLUTCH COVER (1070 CREEPER VERSION).....	92-22
1D10	BELT ADJUSTER.....	40-4	1E10	CLUTCH DISK.....	50-6
2A23	BELT, SEAT (SEE PAGE FOR SN).....	90-6	1E4	CLUTCH HOUSING.....	50-2
2B1	BELT, SEAT (SEE PAGE FOR SN).....	90-8	1E8	CLUTCH PEDAL AND LINKAGE.....	50-4
1B5	BELT, WATER PUMP.....	20-12	1E10	CLUTCH PLATE.....	50-6
1D16	BEZEL, HEADLIGHT.....	40-10	1E4	CLUTCH YOKE.....	50-2
1D22	BLOCK HEATER KIT.....	40-16	1H15	CLUTCH, BRAKE.....	60-16
1B7	BLOCK, CYLINDER ASSEMBLY (870).....	20-14	1E24	COLLAR TRANSMISSION SHAFT (870/970).....	50-22
1B9	BLOCK, CYLINDER ASSEMBLY (970/1070).....	20-16	1F11	COLLAR, DIFFERENTIAL LOCK.....	50-34
1F15	BOLT, WHEEL (1070).....	50-38	1B15	CONNECTING ROD.....	20-22
1F13	BOLT, WHEEL (870/970).....	50-36	1C11	CONNECTORS, FUEL LINE.....	30-2
1G1	BOOT, DRIVE SHAFT COVER (870 MFWD).....	50-48	1D16	CONTROL BOX.....	40-10
1G3	BOOT, DRIVE SHAFT COVER (970/1070 MFWD).....	50-50	1I7	CONTROL SHAFT (W/DRAFT SENSING).....	70-14
1E12	BOOT, SHIFTER.....	50-8	1I1	CONTROL VALVE, ROCKSHAFT (W/DRAFT SENSING).....	70-8
1F3	BOTTOM SHAFT.....	50-26	1H23	CONTROL VALVE, ROCKSHAFT (W/O DRAFT SENSING).....	70-6
2B21	BOTTOM SHAFT (1070 CREEPER VERSION).....	92-18	1I7	CONTROL, DRAFT ARM AND POSITION ARM (W/DRAFT SENSING).....	70-14
1H5	BOX, MANUAL STEERING.....	60-6	1I21	COUPLER KIT, REAR QUICK.....	70-28
1D20	BRACKET, BATTERY.....	40-14	1D20	COVER, BATTERY.....	40-14
1H19	BRACKET, DRAWBAR.....	70-2	1A22	COVER, BREATHER (870).....	20-4



## ALPHABETICAL INDEX - CONTINUED

GRID		PAGE	GRID		PAGE
1A24	COVER, BREATHER (970/1070).....	20-6	1G18	DIFFERENTIAL PINION (970/1070 MFWD) .....	50-66
1E10	COVER, CLUTCH.....	50-6	1F9	DIFFERENTIAL PINION SHAFT (970/1070) .....	50-32
1E4	COVER, CLUTCH HOUSING.....	50-2	1B7	DIPSTICK, ENGINE OIL (870).....	20-14
1K15	COVER, CLUTCH KIT .....	80-24	1B9	DIPSTICK, ENGINE OIL (970/1070) .....	20-16
2C1	COVER, CLUTCH KIT (1070 CREEPER VERSION) .....	92-22	1G16	DIPSTICK, FRONT AXLE (870 MFWD) .....	50-64
2B13	COVER, CREEPER SHIFT .....	92-10	1E14	DIPSTICK, TRANSMISSION OIL.....	50-12
1I9	COVER, DRAFT SUPPORT.....	70-16	2B8	DIPSTICK, TRANSMISSION OIL (1070 CREEPER VERSION) .....	92-4
1K15	COVER, DUST .....	80-24	1E10	DISK, CLUTCH.....	50-6
2C1	COVER, DUST (1070 CREEPER VERSION) .....	92-22	1J17	DISK, REAR WHEEL .....	80-1
1B23	COVER, ENGINE GEAR CASE.....	20-30	1I7	DRAFT CONTROL (W/DRAFT SENSING) .....	70-14
1E14	COVER, FRONT DRIVE .....	50-12	1I5	DRAFT CONTROL (870/970).....	70-12
2B8	COVER, FRONT DRIVE (1070 CREEPER VERSION).....	92-4	1J9	DRAFT LINKS AND SUPPORTS (3-POINT HITCH) .....	70-40
1G1	COVER, FRONT DRIVE SHAFT (870 MFWD).....	50-48	1H11	DRAG LINK (MANUAL STEERING) .....	60-12
1G3	COVER, FRONT DRIVE SHAFT (970/1070 MFWD) .....	50-50	1B7	DRAIN COCK, ENGINE OIL (870) .....	20-14
1E12	COVER, GEAR SHIFT .....	50-8	1B9	DRAIN COCK, ENGINE OIL (970/1070) .....	20-16
1D16	COVER, HEADLIGHT.....	40-10	1C3	DRAIN COCK, RADIATOR .....	20-34
1B23	COVER, HYDRAULIC OIL PUMP .....	20-30	1H19	DRAWBAR .....	70-2
1G23	COVER, MID PTO .....	55-4	1F7	DRIVE GEAR, DIFFERENTIAL (870) .....	50-30
1G21	COVER, MID PTO SHAFT.....	55-2	1F9	DRIVE GEAR, DIFFERENTIAL (970/1070).....	50-32
1A22	COVER, ROCKER ARM (870).....	20-4	1G16	DRIVE GEAR, FRONT DIFFERENTIAL (870 MFWD).....	50-64
1A24	COVER, ROCKER ARM (970/1070) .....	20-6	1F1	DRIVE GEAR, TRANSMISSION .....	50-24
1K15	COVER, ROCKSHAFT .....	80-24	2B19	DRIVE GEAR, TRANSMISSION (1070 CREEPER VERSION) .....	92-16
2C1	COVER, ROCKSHAFT (1070 CREEPER VERSION).....	92-22	1G5	DRIVE HOUSING (870 MFWD).....	50-52
1E12	COVER, SHIFT LEVER .....	50-8	1G10	DRIVE HOUSING (970/1070 MFWD) .....	50-58
1D12	COVER, STARTER END (870 1.4 KW)(970, 1070).....	40-6	1G18	DRIVE SHAFT (AXLE) (970/1070 MFWD) .....	50-66
1D14	COVER, STARTER END (870 1.2 KW) .....	40-8	1F23	DRIVE SHAFT (TRANSMISSION) (MFWD) .....	50-46
1B5	COVER, THERMOSTAT .....	20-12	1G16	DRIVE SHAFT (870 MFWD) .....	50-64
1E14	COVER, TRANSMISSION .....	50-12	1G1	DRIVE SHAFT, FRONT (870 MFWD).....	50-48
2B8	COVER, TRANSMISSION (1070 CREEPER VERSION).....	92-4	1G3	DRIVE SHAFT, FRONT (970/1070 MFWD) .....	50-50
1B13	CRANKSHAFT AND GEAR .....	20-20	1F19	DRIVE, FINAL (1070).....	50-42
2B15	CREEPER GEAR .....	92-12	1F17	DRIVE, FINAL (870/970) .....	50-40
2B12	CREEPER GEAR SUPPORT.....	92-8	1E24	DRIVEN SHAFT, COLLAR TRANSMISSION (870/970).....	50-22
2B13	CREEPER SHIFT .....	92-10	1E22	DRIVEN SHAFT, SYNCHRO TRANSMISSION.....	50-20
1B7	CYLINDER BLOCK (870).....	20-14	2B17	DRIVEN SHAFT, SYNCHRO TRANSMISSION (1070 CREEPER VERSION) .....	92-14
1B9	CYLINDER BLOCK (970/1070) .....	20-16	1F3	DRIVESHAFT, DIFFERENTIAL .....	50-26
1C7	CYLINDER BLOCK GASKET KIT .....	20-38	2B21	DRIVESHAFT, DIFFERENTIAL (1070 CREEPER VERSION) .....	92-18
1B1	CYLINDER HEAD ASSEMBLY (870) .....	20-8	1F1	DRIVESHAFT, TRANSMISSION .....	50-24
1B3	CYLINDER HEAD ASSEMBLY (970/1070) .....	20-10	2B19	DRIVESHAFT, TRANSMISSION (1070 CREEPER VERSION) .....	92-16
1A22	CYLINDER HEAD COVER (870).....	20-4	1K15	DUST COVER .....	80-24
1A24	CYLINDER HEAD COVER (970/1070) .....	20-6	2C1	DUST COVER (1070 CREEPER VERSION) .....	92-22
1C1	CYLINDER HEAD GASKET KIT .....	20-32			
1H7	CYLINDER, POWER STEERING (2WD).....	60-8			
1H9	CYLINDER, POWER STEERING (4WD).....	60-10			

## D

1D8	DASH .....	40-2
1K11	DASHBOARD SUPPORT AND DASH COVER .....	80-20
1K19	DECALS (ENGLISH).....	80-28
1K21	DECALS (ENGLISH).....	80-30
1F7	DIFFERENTIAL CARRIER (870) .....	50-30
1F9	DIFFERENTIAL CARRIER (970/1070) .....	50-32
1G16	DIFFERENTIAL CASE (870 MFWD) .....	50-64
1G18	DIFFERENTIAL CASE (970/1070 MFWD) .....	50-66
1F7	DIFFERENTIAL DRIVE GEAR (870) .....	50-30
1F9	DIFFERENTIAL DRIVE GEAR (970/1070) .....	50-32
1F3	DIFFERENTIAL DRIVESHAFT.....	50-26
2B21	DIFFERENTIAL DRIVESHAFT (1070 CREEPER VERSION).....	92-18
1G18	DIFFERENTIAL GEAR (970/1070 MFWD) .....	50-66
1F7	DIFFERENTIAL HOUSING (870).....	50-30
1F9	DIFFERENTIAL HOUSING (970/1070) .....	50-32
1F11	DIFFERENTIAL LOCK .....	50-34

## E

1D1	ELEMENT, AIR FILTER (870) .....	30-16
1D3	ELEMENT, AIR FILTER (970/1070) .....	30-18
1C11	ELEMENT, FUEL FILTER .....	30-2
1K19	EMBLEM, SLOW MOVING VEHICLE .....	80-28
1K21	EMBLEM, SLOW MOVING VEHICLE .....	80-30
1J24	END, TIE ROD (2WD) .....	80-8
1G9	END, TIE ROD (870 MFWD).....	50-56
1G12	END, TIE ROD (970/1070 MFWD) .....	50-60
1D5	EXHAUST EXTENSION .....	30-20
1D1	EXHAUST MANIFOLD AND PIPE (870).....	30-16
1D3	EXHAUST MANIFOLD AND PIPE(970/1070) .....	30-18
1B1	EXHAUST VALVE (870).....	20-8
1B3	EXHAUST VALVE (970/1070) .....	20-10
1C3	EXPANSION TANK (RADIATOR) .....	20-34
1K1	EXTENSION ASSEMBLY, AXLE (2WD) .....	80-10

## ALPHABETICAL INDEX - CONTINUED

GRID	F	PAGE	GRID	G	PAGE
1B5	FAN AND PULLEY .....	20-12	1C7	GASKET KIT, CYLINDER BLOCK.....	20-38
1C19	FEED PUMP, FUEL .....	30-10	1C1	GASKET KIT, CYLINDER HEAD.....	20-32
1D1	FILTER, AIR (870) .....	30-16	1C5	GASKET KIT, HEAD (970/1070) .....	20-36
1D3	FILTER, AIR (970/1070).....	30-18	1C17	GASKET, GOVERNOR.....	30-8
1C11	FILTER, FUEL .....	30-2	1B7	GASKET, HEAD (870) .....	20-14
1J7	FILTER, HYDRAULIC.....	70-38	1B9	GASKET, HEAD (970/1070).....	20-16
1B19	FILTER, OIL (870) .....	20-26	1D1	GASKET, INTAKE & EXHAUST (870) .....	30-16
1B21	FILTER, OIL (970/1070).....	20-28	1D3	GASKET, INTAKE & EXHAUST (970/1070) .....	30-18
1F19	FINAL DRIVE GEAR (1070).....	50-42	1G23	GASKET, MID PTO COVER .....	55-4
1F17	FINAL DRIVE GEAR (870/970) .....	50-40	1B11	GASKET, OIL PUMP .....	20-18
1G14	FINAL GEAR CASE (970/1070 MFWD) .....	50-62	1F15	GASKET, REAR AXLE (1070).....	50-38
1B19	FLANGE, ENGINE MOUNTING (870).....	20-26	1F13	GASKET, REAR AXLE (870/970) .....	50-36
1B21	FLANGE, ENGINE MOUNTING (970/1070) .....	20-28	1A22	GASKET, ROCKER ARM COVER AND BREATHER (870) .....	20-4
1D16	FLASHER RELAY.....	40-10	1A24	GASKET, ROCKER ARM COVER AND BREATHER (970/1070).....	20-6
1B13	FLYWHEEL AND RING GEAR .....	20-20	1E12	GASKET, SHIFTER .....	50-8
1B11	FOLLOWER, CAMSHAFT .....	20-18	1B5	GASKET, THERMOSTAT.....	20-12
1F21	FOOT PEDAL, ACCELERATOR .....	50-44	1E14	GASKET, TRANSMISSION .....	50-12
1K5	FOOTREST AND SUPPORT .....	80-14	2B8	GASKET, TRANSMISSION (1070 CREEPER VERSION) .....	92-4
2B13	FORK, CREEPER SHIFT.....	92-10	1B5	GASKET, WATER PUMP.....	20-12
1F11	FORK, DIFFERENTIAL LOCK .....	50-34	1E14	GAUGE, TRANSMISSION OIL LEVEL .....	50-12
1E18	FORK, PTO SHIFT.....	50-16	2B8	GAUGE, TRANSMISSION OIL LEVEL (1070 CREEPER VERSION) .....	92-4
1E20	FORK, RANGE SHIFT .....	50-18	1G5	GEAR CASE (870 MFWD).....	50-52
1E12	FORK, SHIFTER.....	50-8	1B23	GEAR CASE COVER, ENGINE.....	20-30
1K3	FRAME, FRONT .....	80-12	1B23	GEAR CASE, ENGINE.....	20-30
2A21	FRAME, ROPS .....	90-4	1F17	GEAR FINAL DRIVE (870/970) .....	50-40
1J24	FRONT AXLE (2WD) .....	80-8	1E12	GEAR SHIFT COVER .....	50-8
1G16	FRONT AXLE (870 MFWD).....	50-64	1B17	GEAR, BALANCER (970/1070) .....	20-24
1G18	FRONT AXLE (970/1070 MFWD) .....	50-66	1B11	GEAR, CAMSHAFT .....	20-18
1K1	FRONT AXLE KNUCKLE (2WD) .....	80-10	1E24	GEAR, COLLAR SHIFT (870/970).....	50-22
1G5	FRONT AXLE SHAFT (870 MFWD) .....	50-52	1B13	GEAR, CRANKSHAFT .....	20-20
1G14	FRONT AXLE SHAFT (970/1070 MFWD).....	50-62	2B15	GEAR, CREEPER.....	92-12
1G14	FRONT BEARING CASE (970/1070 MFWD) .....	50-62	1G18	GEAR, DIFFERENTIAL (970/1070 MFWD).....	50-66
1G16	FRONT DIFFERENTIAL DRIVE GEAR (870 MFWD).....	50-64	1F7	GEAR, DIFFERENTIAL DRIVE (870) .....	50-30
1E14	FRONT DRIVE COVER .....	50-12	1F9	GEAR, DIFFERENTIAL DRIVE (970/1070).....	50-32
2B8	FRONT DRIVE COVER (1070 CREEPER VERSION) .....	92-4	1F19	GEAR, FINAL DRIVE (1070) .....	50-42
1F23	FRONT DRIVE SHAFT (MFWD) .....	50-46	1B13	GEAR, FLYWHEEL .....	20-20
1G1	FRONT DRIVE SHAFT (870 MFWD) .....	50-48	1G5	GEAR, FRONT FINAL (870 MFWD) .....	50-52
1G3	FRONT DRIVE SHAFT (970/1070 MFWD).....	50-50	1G7	GEAR, FRONT SPINDLE (870 MFWD) .....	50-54
1G10	FRONT FINAL SPINDLE (970/1070 MFWD) .....	50-58	1G10	GEAR, FRONT SPINDLE (970/1070 MFWD) .....	50-58
1K3	FRONT FRAME .....	80-12	1B11	GEAR, FUEL INJECTION PUMP .....	20-18
1K23	FRONT HITCH .....	80-32	1B11	GEAR, IDLE .....	20-18
1D16	FRONT LIGHTS .....	40-10	1B11	GEAR, OIL PUMP .....	20-18
1F23	FRONT SHIFT LEVER (MFWD) .....	50-46	1F7	GEAR, PINION (870) .....	50-30
1G10	FRONT SPINDLE GEAR (970/1070 MFWD) .....	50-58	1F9	GEAR, PINION (970/1070).....	50-32
1G7	FRONT SPINDLE SHAFT (870 MFWD) .....	50-54	1D12	GEAR, STARTER (870 1.4 KW)(970, 1070).....	40-6
1G10	FRONT SPINDLE SHAFT (970/1070 MFWD).....	50-58	1D14	GEAR, STARTER (870 1.2 KW) .....	40-8
1K3	FRONT WEIGHT SUPPORT .....	80-12	1E22	GEAR, SYNCHROMESH TRANSMISSION.....	50-20
1C17	FUEL CONTROLLER ASSEMBLY.....	30-8	2B17	GEAR, SYNCHROMESH TRANSMISSION (1070 CREEPER VERSION) .....	92-14
1C11	FUEL FILTER .....	30-2	1F3	GEAR, TRANSMISSION (BOTTOM SHAFT) .....	50-26
1C19	FUEL INJECTION NOZZLE, LINE AND PUMP .....	30-10	2B21	GEAR, TRANSMISSION (BOTTOM SHAFT) (1070 CREEPER VERSION) .....	92-18
1C15	FUEL LINE AND BRACKET.....	30-6	1F1	GEAR, TRANSMISSION DRIVE .....	50-24
2B6	FUEL LINE AND BRACKET (1070 CREEPER VERSION).....	92-2	2B19	GEAR, TRANSMISSION DRIVE (1070 CREEPER VERSION).....	92-16
1C11	FUEL LINES, FILTER.....	30-2	1F3	GEAR, TRANSMISSION REDUCTION .....	50-26
1C19	FUEL PUMP (FEED) .....	30-10	2B21	GEAR, TRANSMISSION REDUCTION (1070 CREEPER VERSION).....	92-18
1C19	FUEL RETURN VALVE .....	30-10	1G23	GEARS, MID PTO .....	55-4
1D18	FUEL SENDER.....	40-12	1F5	GEARS, REAR PTO.....	50-28
1C21	FUEL SHUTOFF SOLENOID (870).....	30-12			
1C23	FUEL SHUTOFF SOLENOID (970/1070) .....	30-14			
1C13	FUEL TANK, BRACKET AND HOSE .....	30-4			
1D16	FUSES .....	40-10			

## ALPHABETICAL INDEX - CONTINUED

GRID		PAGE	GRID		PAGE
1C17	GOVERNOR .....	30-8	1I19	HYDRAULIC PUMP LINES (POWER STEERING).....	70-26
1K7	GRILLE .....	80-16	2B23	HYDRAULIC PUMP LINES (POWER STEERING) (1070 CREEPER VERSION) .....	92-20
1I7	GRIP, ROCKSHAFT CONTROL LEVER (W/DRAFT SENSING) .....	70-14	1I13	HYDRAULIC STEERING LINES .....	70-20
1I5	GRIP, ROCKSHAFT CONTROL LEVER (870/970) .....	70-12			
1D1	GUARD, AIR FILTER HOSE (870) .....	30-16		I	
1D3	GUARD, AIR FILTER HOSE (970/1070).....	30-18			
1H19	GUARD, PTO .....	70-2			
1B7	GUIDE, DIPSTICK (870) .....	20-14	1B7	IDLE GEAR SHAFT (870) .....	20-14
1B9	GUIDE, DIPSTICK (970/1070) .....	20-16	1B9	IDLE GEAR SHAFT (970/1070).....	20-16
1B1	GUIDE, VALVE (870) .....	20-8	1B11	IDLER GEAR .....	20-18
1B3	GUIDE, VALVE (970/1070) .....	20-10	1D8	IGNITION KEY AND SWITCH .....	40-2
			1B5	IMPELLER, WATER PUMP .....	20-12
	H		1C19	INJECTION LINE, FUEL .....	30-10
1I7	HANDLE, ROCKSHAFT CONTROL LEVER (W/DRAFT SENSING) .....	70-14	1B11	INJECTION PUMP GEAR .....	20-18
1I5	HANDLE, ROCKSHAFT CONTROL LEVER (870/970).....	70-12	1C19	INJECTOR .....	30-10
1D8	HARNESS, INSTRUMENT PANEL WIRING .....	40-2	1J20	INNER TUBE, BAR TIRE (MFWD) .....	80-4
1D16	HARNESS, MAIN WIRING.....	40-10	1J18	INNER TUBE, BAR TIRE (2WD).....	80-2
1D18	HARNESS, REAR LIGHT.....	40-12	1J22	INNER TUBE, TURF TIRE.....	80-6
2A19	HARNESS, ROLL-GARD CANOPY WIRING .....	90-2	1D8	INSTRUMENT PANEL .....	40-2
1B7	HEAD GASKET (870).....	20-14	1D3	INTAKE MANIFOLD (970/1070).....	30-18
1B9	HEAD GASKET (970/1070) .....	20-16	1D1	INTAKE MANIFOLD AND AIR HEATER (870) .....	30-16
1C5	HEAD GASKET KIT (970/1070).....	20-36	1B1	INTAKE VALVE (870).....	20-8
1D16	HEADLIGHT WIRING HARNESS .....	40-10	1B3	INTAKE VALVE (970/1070) .....	20-10
1D22	HEATER KIT, BLOCK .....	40-16			
1D1	HEATER, INTAKE AIR (870) .....	30-16		K	
1D3	HEATER, INTAKE AIR (970/1070) .....	30-18	1D8	KEY AND SWITCH, IGNITION .....	40-2
1C9	HEATER, TRANSMISSION OIL.....	20-40	1K1	KING PIN ASSEMBLY (2WD) .....	80-10
1H19	HITCH AND PIN, DRAWBAR .....	70-2	1E12	KNOB, GEAR SHIFT .....	50-8
1K23	HITCH, FRONT.....	80-32	1F23	KNOB, MFWD.....	50-46
1K13	HOOD .....	80-22	1G21	KNOB, MID PTO SHAFT LEVER .....	55-2
1K7	HOOD LOCK .....	80-16	1H13	KNOB, PARK BRAKE .....	60-14
1K9	HOOD PADS .....	80-18	1E18	KNOB, PTO SHIFT.....	50-16
1D1	HOSE, AIR FILTER (870) .....	30-16	1E20	KNOB, RANGE SHIFT .....	50-18
1D3	HOSE, AIR FILTER (970/1070) .....	30-18	1I7	KNOB, ROCKSHAFT CONTROL LEVER (W/DRAFT SENSING) .....	70-14
1C13	HOSE, FUEL TANK .....	30-4	1I5	KNOB, ROCKSHAFT CONTROL LEVER (870/970).....	70-12
1I17	HOSE, HYDRAULIC PUMP (MANUAL STEERING).....	70-24	1F21	KNOB, THROTTLE LEVER .....	50-44
1I19	HOSE, HYDRAULIC PUMP (POWER STEERING) .....	70-26	1G9	KNUCKLE ARM (870 MFWD) .....	50-56
2B23	HOSE, HYDRAULIC PUMP (POWER STEERING) (1070 CREEPER VERSION) .....	92-20	1G12	KNUCKLE ARM (970/1070 MFWD).....	50-60
1C3	HOSE, RADIATOR .....	20-34			
1I13	HOSE, STEERING HYDRAULIC .....	70-20		L	
1E4	HOUSING, CLUTCH.....	50-2	1K19	LABELS (ENGLISH) .....	80-28
2B13	HOUSING, CREEPER SHIFT .....	92-10	1K21	LABELS (ENGLISH) .....	80-30
1F7	HOUSING, DIFFERENTIAL (870) .....	50-30	1D18	LAMP, WARNING.....	40-12
1F9	HOUSING, DIFFERENTIAL (970/1070).....	50-32	1K7	LATCH, HOOD .....	80-16
1G5	HOUSING, DRIVE (870 MFWD) .....	50-52	1C17	LEVER ASSEMBLY, GOVERNOR .....	30-8
1G10	HOUSING, DRIVE (970/1070 MFWD).....	50-58	1F21	LEVER, ACCELERATOR .....	50-44
1C11	HOUSING, FUEL FILTER .....	30-2	2B13	LEVER, CREEPER SHIFT .....	92-10
1B23	HOUSING, GEAR ASSEMBLY (ENGINE).....	20-30	1E12	LEVER, GEAR SHIFT .....	50-8
1F15	HOUSING, REAR AXLE (1070).....	50-38	1C17	LEVER, GOVERNOR .....	30-8
1F13	HOUSING, REAR AXLE (870/970) .....	50-36	1G21	LEVER, MID PTO.....	55-2
1E14	HOUSING, TRANSMISSION .....	50-12	1H13	LEVER, PARK BRAKE.....	60-14
2B8	HOUSING, TRANSMISSION (1070 CREEPER VERSION) .....	92-4	1G23	LEVER, PTO BRAKE .....	55-4
1K1	HUB (2WD).....	80-10	1E18	LEVER, PTO SHIFT .....	50-16
1B5	HUB, FAN .....	20-12	1E20	LEVER, RANGE SHIFT .....	50-18
1B7	HUB, IDLER GEAR (870).....	20-14	1I7	LEVER, ROCKSHAFT CONTROL (W/DRAFT SENSING) .....	70-14
1B9	HUB, IDLER GEAR (970/1070) .....	20-16	1I5	LEVER, ROCKSHAFT CONTROL (870/970) .....	70-12
1I7	HYDRAULIC CONTROL (W/DRAFT SENSING).....	70-14	1I23	LEVER, SCV.....	70-30
1I5	HYDRAULIC CONTROL (870/970) .....	70-12	1F21	LEVER, THROTTLE .....	50-44
1I15	HYDRAULIC PUMP .....	70-22	1I3	LIFT ARMS, ROCKSHAFT.....	70-10
1I17	HYDRAULIC PUMP LINES (MANUAL STEERING) .....	70-24	1J11	LIFT LINKS .....	70-42

**ALPHABETICAL INDEX - CONTINUED**

<i>GRID</i>		<i>PAGE</i>	<i>GRID</i>		<i>PAGE</i>
1D21	LIGHT KIT, WORK .....	40 - 15	1B19	OIL FILTER (870) .....	20 - 26
1D8	LIGHT SWITCH .....	40 - 2	1B21	OIL FILTER (970/1070) .....	20 - 28
1C11	LINE, FUEL FILTER .....	30 - 2	1C9	OIL HEATER, TRANSMISSION .....	20 - 40
1C19	LINE, FUEL INJECTION .....	30 - 10	1E14	OIL LEVEL DIPSTICK, TRANSMISSION .....	50 - 12
1C15	LINE, FUEL TANK .....	30 - 6	2B8	OIL LEVEL DIPSTICK, TRANSMISSION (1070 CREEPER VERSION) .....	92 - 4
2B6	LINE, FUEL TANK (1070 CREEPER VERSION) .....	92 - 2	1B19	OIL PAN (870) .....	20 - 26
1117	LINE, HYDRAULIC PUMP (MANUAL STEERING) .....	70 - 24	1B21	OIL PAN (970/1070) .....	20 - 28
1119	LINE, HYDRAULIC PUMP (POWER STEERING) .....	70 - 26	1B7	OIL PRESSURE SWITCH (870) .....	20 - 14
2B23	LINE, HYDRAULIC PUMP (POWER STEERING) (1070 CREEPER VERSION) .....	92 - 20	1B9	OIL PRESSURE SWITCH (970/1070) .....	20 - 16
1113	LINE, STEERING HYDRAULIC .....	70 - 20	1B19	OIL PRESSURE VALVE ASSEMBLY (870) .....	20 - 26
1111	LINES, REAR AUXILIARY HYDRAULIC .....	70 - 18	1B21	OIL PRESSURE VALVE ASSEMBLY (970/1070) .....	20 - 28
1J1	LINES, SCV OPTIONAL .....	70 - 32	1B23	OIL PUMP .....	20 - 30
1J13	LINK, CENTER (3-POINT HITCH) .....	70 - 44	1B11	OIL PUMP GEAR .....	20 - 18
1J9	LINK, DRAFT (3-POINT HITCH) .....	70 - 40	1B19	OIL SUMP (870) .....	20 - 26
1H11	LINK, DRAG (MANUAL STEERING) .....	60 - 12	1B21	OIL SUMP (970/1070) .....	20 - 28
1C23	LINK, FUEL SHUT OFF SOLENOID (970/1070) .....	30 - 14	1C3	OVERFLOW TANK, RADIATOR .....	20 - 34
1J11	LINK, LIFT .....	70 - 42			
1E8	LINKAGE, CLUTCH .....	50 - 4		<b>P</b>	
1C17	LINKAGE, GOVERNOR .....	30 - 8			
1K7	LINKAGE, HOOD RELEASE .....	80 - 16	1K9	PADS, HOOD .....	80 - 18
1F23	LINKAGE, MFWD .....	50 - 46	1B19	PAN, OIL (870) .....	20 - 26
1G21	LINKAGE, MID PTO .....	55 - 2	1B21	PAN, OIL (970/1070) .....	20 - 28
1E18	LINKAGE, PTO LEVER .....	50 - 16	1D8	PANEL, INSTRUMENT .....	40 - 2
1E20	LINKAGE, RANGE SHIFT .....	50 - 18	1H13	PARK BRAKE .....	60 - 14
1I7	LINKAGE, ROCKSHAFT (W/DRAFT SENSING) .....	70 - 14	1H13	PEDAL, BRAKE .....	60 - 14
1I5	LINKAGE, ROCKSHAFT (870/970) .....	70 - 12	1E8	PEDAL, CLUTCH .....	50 - 4
1F21	LINKAGE, THROTTLE .....	50 - 44	1F11	PEDAL, DIFFERENTIAL LOCK .....	50 - 34
1K7	LOCK, HOOD .....	80 - 16	1F21	PEDAL, THROTTLE .....	50 - 44
			1B19	PICKUP, OIL (870) .....	20 - 26
	<b>M</b>		1B21	PICKUP, OIL (970/1070) .....	20 - 28
1B7	MAIN BEARINGS (870) .....	20 - 14	1H19	PIN, HITCH .....	70 - 2
1B9	MAIN BEARINGS (970/1070) .....	20 - 16	1K1	PIN, KING (2WD) .....	80 - 10
1F1	MAIN SHAFT (TRANSMISSION) .....	50 - 24	1E14	PIN, LOWER LINK .....	50 - 12
2B19	MAIN SHAFT (TRANSMISSION) (1070 CREEPER VERSION) .....	92 - 16	2B8	PIN, LOWER LINK (1070 CREEPER VERSION) .....	92 - 4
1D1	MANIFOLD, INTAKE & EXHAUST (870) .....	30 - 16	1F7	PINION GEAR (870) .....	50 - 30
1D3	MANIFOLD, INTAKE & EXHAUST (970/1070) .....	30 - 18	1F9	PINION GEAR (970/1070) .....	50 - 32
1H5	MANUAL STEERING BOX .....	60 - 6	1G18	PINION, DIFFERENTIAL (970/1070 MFWD) .....	50 - 66
1G23	MID PTO GEARS .....	55 - 4	1F19	PINION, FINAL DRIVE (1070) .....	50 - 42
1G21	MID PTO KIT .....	55 - 2	1F17	PINION, FINAL DRIVE (870/970) .....	50 - 40
1G21	MID PTO LEVERS AND LINKAGE .....	55 - 2	1D1	PIPE, EXHAUST (870) .....	30 - 16
1D16	MODULE, CONTROL .....	40 - 10	1D3	PIPE, EXHAUST (970/1070) .....	30 - 18
1B19	MOUNTING FLANGE, ENGINE (870) .....	20 - 26	1I19	PIPE, HYDRAULIC (POWER STEERING) .....	70 - 26
1B21	MOUNTING FLANGE, ENGINE (970/1070) .....	20 - 28	2B23	PIPE, HYDRAULIC (POWER STEERING) (1070 CREEPER VERSION) .....	92 - 20
1D1	MUFFLER (870) .....	30 - 16	1B15	PISTON WITH RINGS .....	20 - 22
1D3	MUFFLER (970/1070) .....	30 - 18	1H11	PITMAN ARM .....	60 - 12
			1F19	PLANETARY CARRIER (1070) .....	50 - 42
	<b>N</b>		1F17	PLANETARY CARRIER (870/970) .....	50 - 40
1G23	NEUTRAL START SWITCH, MID PTO .....	55 - 4	1E10	PLATE, CLUTCH .....	50 - 6
1D18	NEUTRAL START SWITCH, TRANSMISSION .....	40 - 12	1H7	POWER STEERING CYLINDER (2WD) .....	60 - 8
1C19	NOZZLE, FUEL INJECTION .....	30 - 10	1H9	POWER STEERING CYLINDER (4WD) .....	60 - 10
			1H3	POWER STEERING VALVE .....	60 - 4
	<b>O</b>		1E10	PRESSURE PLATE, CLUTCH .....	50 - 6
1B7	OIL DRAIN COCK (870) .....	20 - 14	1F5	PTO DRIVESHAFT BEARING AND GEARS .....	50 - 28
1B9	OIL DRAIN COCK (970/1070) .....	20 - 16	1H19	PTO GUARD .....	70 - 2
1A22	OIL FILLER CAP (870) .....	20 - 4	1F5	PTO SHAFT .....	50 - 28
1A24	OIL FILLER CAP (970/1070) .....	20 - 6	1E18	PTO SHIFT ARM, FORK, LEVER AND KNOB .....	50 - 16
1E14	OIL FILLER, TRANSMISSION .....	50 - 12	1B13	PULLEY, CRANKSHAFT .....	20 - 20
2B8	OIL FILLER, TRANSMISSION (1070 CREEPER VERSION) .....	92 - 4	1B5	PULLEY, FAN .....	20 - 12
			1B11	PUMP GEAR, OIL .....	20 - 18
			1B23	PUMP, ENGINE OIL .....	20 - 30
			1C19	PUMP, FEED (FUEL) .....	30 - 10
			1I15	PUMP, HYDRAULIC .....	70 - 22
			1B5	PUMP, WATER .....	20 - 12

**ALPHABETICAL INDEX - CONTINUED**

GRID		PAGE	GRID		PAGE
1B11	PUSH ROD .....	20-18	1B23	ROTOR ASSEMBLY, OIL PUMP .....	20-30
<b>Q</b>			<b>S</b>		
1I21	QUICK COUPLER KIT (REAR) .....	70-28	1C3	SCREEN, RADIATOR .....	20-34
<b>R</b>			1E14	SCREEN, STRAINER (TRANSMISSION) .....	50-12
1C3	RADIATOR AND HOSE .....	20-34	2B8	SCREEN, STRAINER (TRANSMISSION) (1070 CREEPER VERSION) .....	92-4
1E20	RANGE SHIFTER ARM AND FORK .....	50-18	1I23	SCV LEVER AND BRACKETS .....	70-30
1I11	REAR AUXILIARY HYDRAULIC KIT .....	70-18	1J1	SCV OPTIONAL PARTS .....	70-32
1E18	REAR PTO ROD .....	50-16	1J5	SCV VALVE (DANFOSS/DUKES) .....	70-36
1I21	REAR QUICK COUPLER KIT .....	70-28	1J3	SCV VALVE (KANZAKI) .....	70-34
1J17	REAR WHEEL DISC .....	80-1	1H3	SEAL KIT, STEERING VALVE .....	60-4
1K24	REAR WHEEL WEIGHT KIT .....	80-33	1E4	SEAL, CLUTCH HOUSING .....	50-2
1F3	REDUCTION GEAR, TRANSMISSION .....	50-26	1E10	SEAL, CLUTCH SHAFT .....	50-6
2B21	REDUCTION GEAR, TRANSMISSION (1070 CREEPER VERSION) .....	92-18	1B19	SEAL, ENGINE OIL (870) .....	20-26
1D16	RELAYS .....	40-10	1B21	SEAL, ENGINE OIL (970/1070) .....	20-28
1C3	RESERVOIR, OVERFLOW (RADIATOR) .....	20-34	1G7	SEAL, GEAR CASE (870 MFWD) .....	50-54
2B12	RETAINER, CREEPER GEAR .....	92-8	1F23	SEAL, MFWD .....	50-46
1J20	RIB TIRE (MFWD) .....	80-4	1B23	SEAL, OIL .....	20-30
1J18	RIB TIRE (2WD) .....	80-2	1F15	SEAL, REAR AXLE HOUSING (1070) .....	50-38
1J20	RIM, FRONT AND REAR (MFWD) .....	80-4	1F13	SEAL, REAR AXLE HOUSING (870/970) .....	50-36
1J18	RIM, FRONT AND REAR (2WD) .....	80-2	1J5	SEAL, SCV VALVE (DANFOSS/DUKES) .....	70-36
1J17	RIM, REAR WHEEL .....	80-1	1J3	SEAL, SCV VALVE (KANZAKI) .....	70-34
1B13	RING GEAR .....	20-20	1H7	SEAL, STEERING CYLINDER (2WD) .....	60-8
1B15	RINGS, PISTON .....	20-22	1H9	SEAL, STEERING CYLINDER (4WD) .....	60-10
1B1	ROCKER ARM (870) .....	20-8	1D18	SEAT SWITCH .....	40-12
1B3	ROCKER ARM (970/1070) .....	20-10	2A23	SEAT, BRACKET AND SEAT BELT .....	90-6
1A22	ROCKER ARM COVER (870) .....	20-4	2B1	SEAT, BRACKET AND SEAT BELT .....	90-8
1A24	ROCKER ARM COVER (970/1070) .....	20-6	1J5	SELECTIVE CONTROL VALVE (DANFOSS/DUKES) .....	70-36
1B1	ROCKER SHAFT ASSEMBLY (870) .....	20-8	1J3	SELECTIVE CONTROL VALVE (KANZAKI) .....	70-34
1B3	ROCKER SHAFT ASSEMBLY (970/1070) .....	20-10	1D18	SENDER, FUEL .....	40-12
1H21	ROCKSHAFT CASE .....	70-4	1B5	SENSOR, WATER TEMPERATURE .....	20-12
1I7	ROCKSHAFT CONTROL LEVER (W/DRAFT SENSING) .....	70-14	1E24	SHAFT (COLLARSHIFT GEARS) (870/970) .....	50-22
1I5	ROCKSHAFT CONTROL LEVER (870/970) .....	70-12	1H1	SHAFT ASSEMBLY, STEERING .....	60-2
1I1	ROCKSHAFT CONTROL VALVE (W/DRAFT SENSING) .....	70-8	1B17	SHAFT, BALANCER (970/1070) .....	20-24
1H23	ROCKSHAFT CONTROL VALVE (W/O DRAFT SENSING) .....	70-6	1F3	SHAFT, BOTTOM .....	50-26
1K15	ROCKSHAFT COVER .....	80-24	2B21	SHAFT, BOTTOM (1070 CREEPER VERSION) .....	92-18
2C1	ROCKSHAFT COVER (1070 CREEPER VERSION) .....	92-22	1H13	SHAFT, BRAKE PEDAL .....	60-14
1I3	ROCKSHAFT LIFT ARMS .....	70-10	1E10	SHAFT, CLUTCH .....	50-6
1I7	ROCKSHAFT LINKAGE (W/DRAFT SENSING) .....	70-14	2B15	SHAFT, CREEPER .....	92-12
1I5	ROCKSHAFT LINKAGE (870/970) .....	70-12	1F11	SHAFT, DIFFERENTIAL LOCK .....	50-34
1I9	ROCKSHAFT SUPPORT ASSEMBLY .....	70-16	1G18	SHAFT, DIFFERENTIAL PINION (970/1070 MFWD) .....	50-66
1I1	ROCKSHAFT VALVE ASSEMBLY (W/DRAFT SENSING) .....	70-8	1G16	SHAFT, DIFFERENTIAL PINION (870 MFWD) .....	50-64
1H23	ROCKSHAFT VALVE ASSEMBLY (W/O DRAFT SENSING) .....	70-6	1F7	SHAFT, DIFFERENTIAL PINION (870) .....	50-30
1G21	ROD, BRAKE, MID PTO .....	55-2	1F9	SHAFT, DIFFERENTIAL PINION (970/1070) .....	50-32
1B15	ROD, CONNECTING .....	20-22	1F23	SHAFT, DRIVE (TRANSMISSION) (MFWD) .....	50-46
1K23	ROD, FRONT WEIGHT BRACKET .....	80-32	1E22	SHAFT, DRIVEN (SYNCHRO TRANSMISSION) .....	50-20
1B11	ROD, PUSH .....	20-18	2B17	SHAFT, DRIVEN (SYNCHRO TRANSMISSION) (1070 CREEPER VERSION) .....	92-14
1H11	ROD, STEERING (MANUAL STEERING) .....	60-12	1G5	SHAFT, FRONT AXLE (870 MFWD) .....	50-52
1H7	ROD, STEERING CYLINDER (2WD) .....	60-8	1G14	SHAFT, FRONT AXLE (970/1070 MFWD) .....	50-62
1H9	ROD, STEERING CYLINDER (4WD) .....	60-10	1G1	SHAFT, FRONT DRIVE (870 MFWD) .....	50-48
1J24	ROD, TIE (2WD) .....	80-8	1G3	SHAFT, FRONT DRIVE (970/1070 MFWD) .....	50-50
1G9	ROD, TIE (870 MFWD) .....	50-56	1G7	SHAFT, FRONT SPINDLE (870 MFWD) .....	50-54
1G12	ROD, TIE (970/1070 MFWD) .....	50-60	1G10	SHAFT, FRONT SPINDLE (970/1070 MFWD) .....	50-58
2A21	ROLL-GARD .....	90-4	1I7	SHAFT, HYDRAULIC CONTROL (W/DRAFT SENSING) .....	70-14
2A19	ROLL-GARD CANOPY .....	90-2	1F1	SHAFT, MAIN .....	50-24
2A21	ROPS .....	90-4	2B19	SHAFT, MAIN (1070 CREEPER VERSION) .....	92-16
			1G23	SHAFT, MID PTO .....	55-4
			1F5	SHAFT, PTO .....	50-28
			1E18	SHAFT, PTO SHIFT .....	50-16
			1F15	SHAFT, REAR AXLE (1070) .....	50-38
			1F13	SHAFT, REAR AXLE (870/970) .....	50-36

## ALPHABETICAL INDEX - CONTINUED

GRID		PAGE	GRID		PAGE
1E12	SHAFT, SHIFTER.....	50-8	1B21	SUMP, OIL (970/1070).....	20-28
1F1	SHAFT, TRANSMISSION DRIVE .....	50-24	1I9	SUPPORT ASSEMBLY, ROCKSHAFT .....	70-16
2B19	SHAFT, TRANSMISSION DRIVE (1070 CREEPER VERSION).....	92-16	1K11	SUPPORT, DASH.....	80-20
1B13	SHEAVE, CRANKSHAFT .....	20-20	1J9	SUPPORT, DRAFT LINKS (3-POINT HITCH) .....	70-40
1B5	SHEAVE, FAN .....	20-12	1K5	SUPPORT, FOOTREST .....	80-14
1G3	SHIELD, FRONT DRIVE SHAFT (970/1070 MFWD) .....	50-50	1D18	SWITCH, BRAKE .....	40-12
1G1	SHIELD, FRONT DRIVE SHAFT (870 MFWD).....	50-48	1B5	SWITCH, COOLANT TEMPERATURE .....	20-12
1G21	SHIFT LEVER AND SHAFT, MID PTO.....	55-2	1D8	SWITCH, IGNITION .....	40-2
1E12	SHIFT LEVER BOOT .....	50-8	1D8	SWITCH, LIGHT .....	40-2
2B13	SHIFT, CREEPER .....	92-10	1B7	SWITCH, OIL PRESSURE (870).....	20-14
1E12	SHIFTER FORKS AND SHAFTS.....	50-8	1B9	SWITCH, OIL PRESSURE (970/1070) .....	20-16
1E20	SHIFTER, RANGE .....	50-18	1E22	SYNCHROMESH ASSEMBLY .....	50-20
1C19	SHIM PACK, FUEL INJECTION .....	30-10	2B17	SYNCHROMESH ASSEMBLY (1070 CREEPER VERSION).....	92-14
1F7	SHIM, DIFFERENTIAL (870) .....	50-30			
1F9	SHIM, DIFFERENTIAL (970/1070).....	50-32		T	
1A20	SHORT BLOCK (870) .....	20-2	1D18	TAIL LIGHT.....	40-12
1A21	SHORT BLOCK (970/1070) .....	20-3	1D16	TDC MODULE .....	40-10
1C3	SHROUD, RADIATOR .....	20-34	1B5	THERMOSTAT .....	20-12
1C21	SHUTOFF SOLENOID, FUEL (870) .....	30-12	1F21	THROTTLE LEVER .....	50-44
1C23	SHUTOFF SOLENOID, FUEL (970/1070).....	30-14	1J24	TIE ROD (2WD) .....	80-8
1K3	SIDE FRAME .....	80-12	1G9	TIE ROD (870 MFWD).....	50-56
1G7	SIDE GEAR CASE (870 MFWD).....	50-54	1G12	TIE ROD (970/1070 MFWD) .....	50-60
1K13	SIDE PANEL.....	80-22	1J20	TIRE, FRONT AND REAR (MFWD) .....	80-4
1K19	SLOW MOVING VEHICLE EMBLEM.....	80-28	1J18	TIRE, FRONT AND REAR (2WD) .....	80-2
1K21	SLOW MOVING VEHICLE EMBLEM.....	80-30	1J22	TIRE, TURF .....	80-6
1D16	SOCKET, HEADLIGHT.....	40-10	2A18	TOOL BOX .....	90-1
1C21	SOLENOID, FUEL SHUTOFF (870) .....	30-12	2B3	TOOL BOX MOUNTING KIT .....	90-10
1C23	SOLENOID, FUEL SHUTOFF (970/1070).....	30-14	2B12	TRANSMISSION CENTER PLATE (1070 CREEPER VERSION).....	92-8
1B5	SPACER, FAN .....	20-12	1E14	TRANSMISSION HOUSING, COVER AND GASKET.....	50-12
1F21	SPEED CONTROL LINKAGE .....	50-44	2B8	TRANSMISSION HOUSING, COVER AND GASKET (1070 CREEPER VERSION).....	92-4
1E20	SPEED RANGE SHIFTER .....	50-18	1C9	TRANSMISSION OIL HEATER .....	20-40
1G7	SPINDLE SHAFT, FRONT (870 MFWD).....	50-54	1J22	TUBE, (TURF) TIRE.....	80-6
1G10	SPINDLE SHAFT, FRONT (970/1070 MFWD) .....	50-58	1B7	TUBE, DIPSTICK (870) .....	20-14
1K1	SPINDLE, FRONT (2WD).....	80-10	1B9	TUBE, DIPSTICK (970/1070).....	20-16
1J5	SPOOL, SCV VALVE (DANFOSS/DUKES).....	70-36	1J20	TUBE, TIRE (MFWD) .....	80-4
1J3	SPOOL, SCV VALVE (KANZAKI) .....	70-34	1J18	TUBE, TIRE (2WD) .....	80-2
1G1	SPRING (870 MFWD) .....	50-48	1E14	TUBE, TRANSMISSION OIL FILLER .....	50-12
1G3	SPRING (970/1070 MFWD) .....	50-50	2B8	TUBE, TRANSMISSION OIL FILLER (1070 CREEPER VERSION).....	92-4
1E8	SPRING, CLUTCH .....	50-4	1J22	TURF TIRE .....	80-6
1E10	SPRING, CLUTCH .....	50-6	1D23	TURN SIGNAL CONTROL.....	40-17
1F11	SPRING, DIFFERENTIAL LOCK .....	50-34			
1C17	SPRING, GOVERNOR .....	30-8		V	
1G21	SPRING, MID PTO LINKAGE .....	55-2	1B13	V-PULLEY.....	20-20
1F21	SPRING, THROTTLE LINKAGE .....	50-44	1I1	VALVE ASSEMBLY, ROCKSHAFT (W/DRAFT SENSING) .....	70-8
1D14	STARTER (870 1.2 KW) .....	40-8	1H23	VALVE ASSEMBLY, ROCKSHAFT (W/O DRAFT SENSING) .....	70-6
1D12	STARTER (870 1.4 KW)(970, 1070) .....	40-6	1B1	VALVE GUIDE (870) .....	20-8
1D8	STARTER SWITCH .....	40-2	1B3	VALVE GUIDE (970/1070) .....	20-10
1G7	STEERING ARM (870 MFWD) .....	50-54	1J22	VALVE STEM .....	80-6
1G12	STEERING ARM (970/1070 MFWD) .....	50-60	1B7	VALVE, DRAIN (870) .....	20-14
1H1	STEERING COLUMN.....	60-2	1B9	VALVE, DRAIN (970/1070) .....	20-16
1H9	STEERING CYLINDER (4WD).....	60-10	1B1	VALVE, EXHAUST AND INTAKE (870) .....	20-8
1H11	STEERING ROD (MANUAL STEERING) .....	60-12	1B3	VALVE, EXHAUST AND INTAKE (970/1070) .....	20-10
1H3	STEERING VALVE AND SEAL KIT .....	60-4	1B19	VALVE, OIL (870).....	20-26
1H1	STEERING WHEEL .....	60-2	1B21	VALVE, OIL (970/1070) .....	20-28
1K5	STEPS.....	80-14	1J5	VALVE, SELECTIVE CONTROL (DANFOSS/DUKES).....	70-36
1E14	STRAINER SCREEN, TRANSMISSION .....	50-12	1J3	VALVE, SELECTIVE CONTROL (KANZAKI).....	70-34
2B8	STRAINER SCREEN, TRANSMISSION (1070 CREEPER VERSION).....	92-4	1H3	VALVE, STEERING .....	60-4
1B19	STRAINER, OIL (870) .....	20-26			
1B21	STRAINER, OIL (970/1070).....	20-28			
1I17	SUCTION LINE (MANUAL STEERING) .....	70-24			
1I19	SUCTION LINE (POWER STEERING) .....	70-26			
2B23	SUCTION LINE (POWER STEERING) (1070 CREEPER VERSION).....	92-20			
1B19	SUMP, OIL (870) .....	20-26			

## ALPHABETICAL INDEX - CONTINUED

<i>GRID</i>		<i>PAGE</i>	<i>GRID</i>	<i>PAGE</i>
1D10	VOLTAGE REGULATOR .....	40 - 4		
W				
1D18	WARNING LAMP .....	40 - 12		
1B5	WATER PUMP AND BELT .....	20 - 12		
1B5	WATER TEMPERATURE SENSOR .....	20 - 12		
1K3	WEIGHT BRACKET, FRONT .....	80 - 12		
1K24	WEIGHT KIT, REAR WHEEL .....	80 - 33		
1C17	WEIGHT, GOVERNOR.....	30 - 8		
1F15	WHEEL BOLT (1070).....	50 - 38		
1F13	WHEEL BOLT (870/970) .....	50 - 36		
1J17	WHEEL CENTER, REAR .....	80 - 1		
1K24	WHEEL WEIGHT KIT, REAR .....	80 - 33		
1J20	WHEEL, FRONT AND REAR (MFWD) .....	80 - 4		
1J18	WHEEL, FRONT AND REAR (2WD).....	80 - 2		
1H1	WHEEL, STEERING.....	60 - 2		
1J22	WHEEL, TURF TIRE .....	80 - 6		
1D8	WIRING HARNESS, INSTRUMENT PANEL .....	40 - 2		
1D18	WIRING HARNESS, LIGHTING.....	40 - 12		
1D16	WIRING HARNESS, MAIN.....	40 - 10		
2A19	WIRING HARNESS, ROLL-GARD CANOPY .....	90 - 2		
1D21	WORK LIGHT KIT .....	40 - 15		
Y				
1E4	YOKE, CLUTCH .....	50 - 2		

---

MEMORANDA



---

MEMORANDA

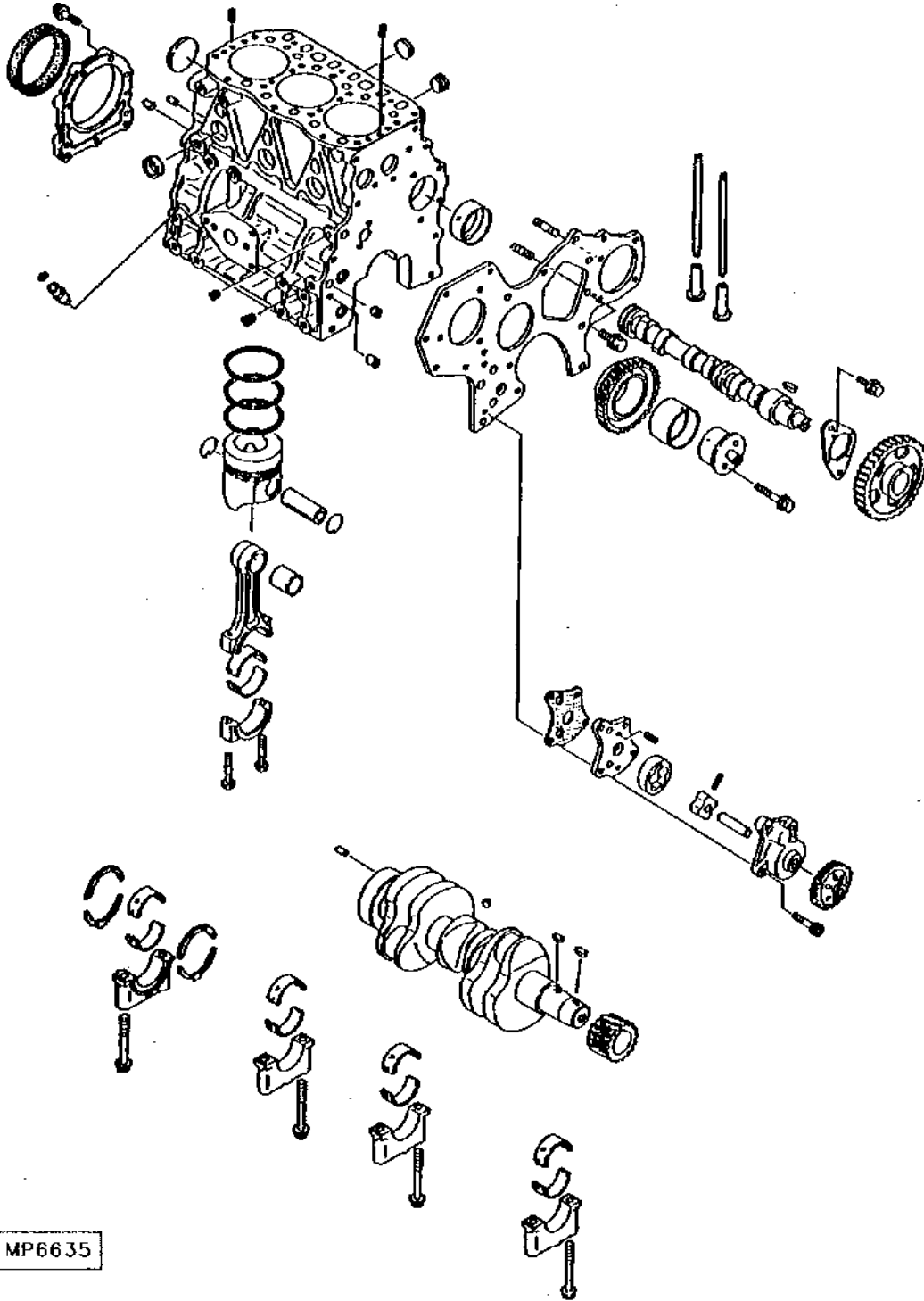
# 1A20

ENGINE

MP6635

-UN-01JAN94

870 SHORT BLOCK



KEY	PART NO.	PART NAME	QTY	SERIAL NO.	REMARKS
1	AM878464	SHORT BLOCK ASSEMBLY	1	(SUB FOR AM877287)	

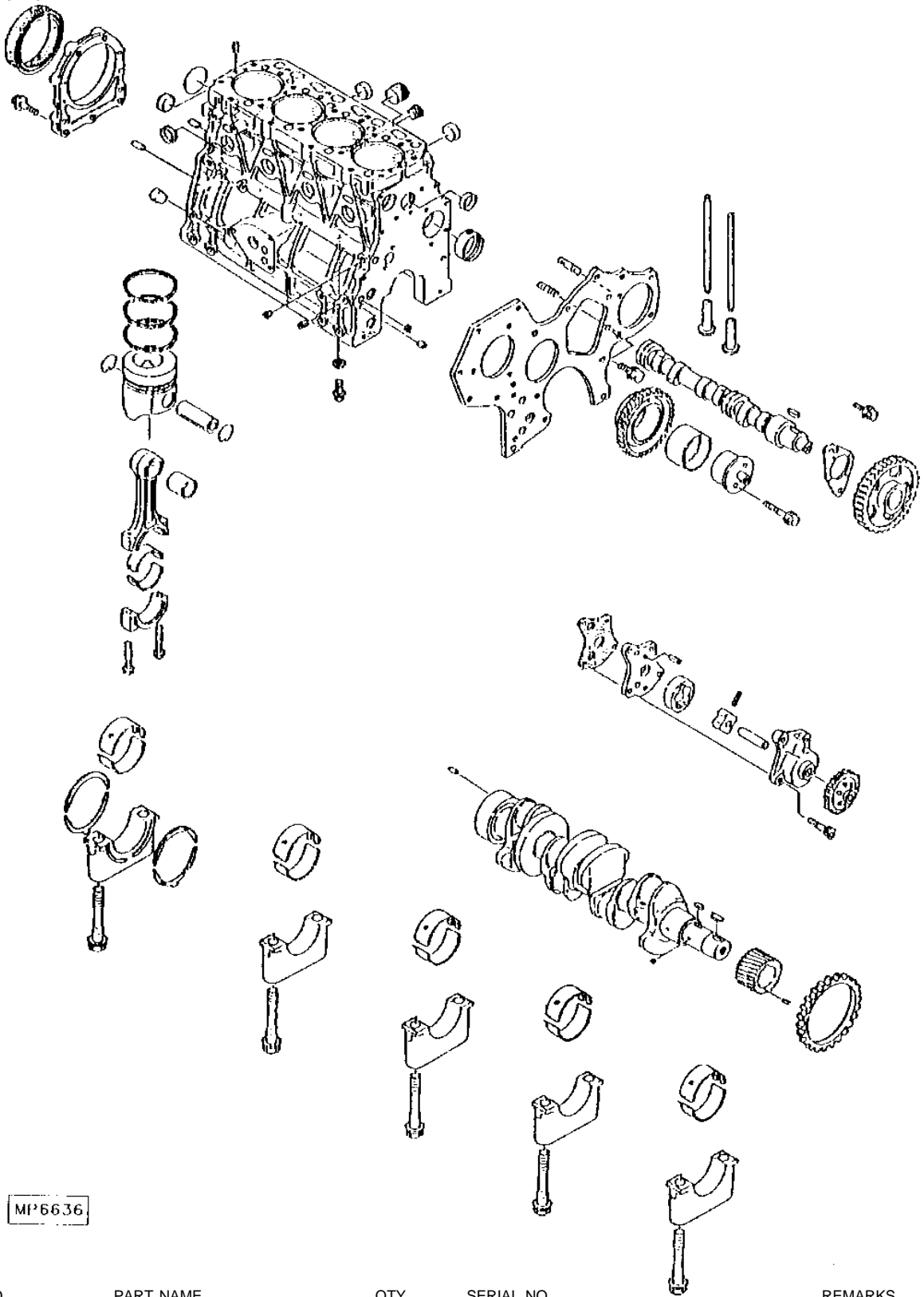
# 1A21

ENGINE

MP6636

-UN-01JAN94

970/1070 SHORT BLOCK



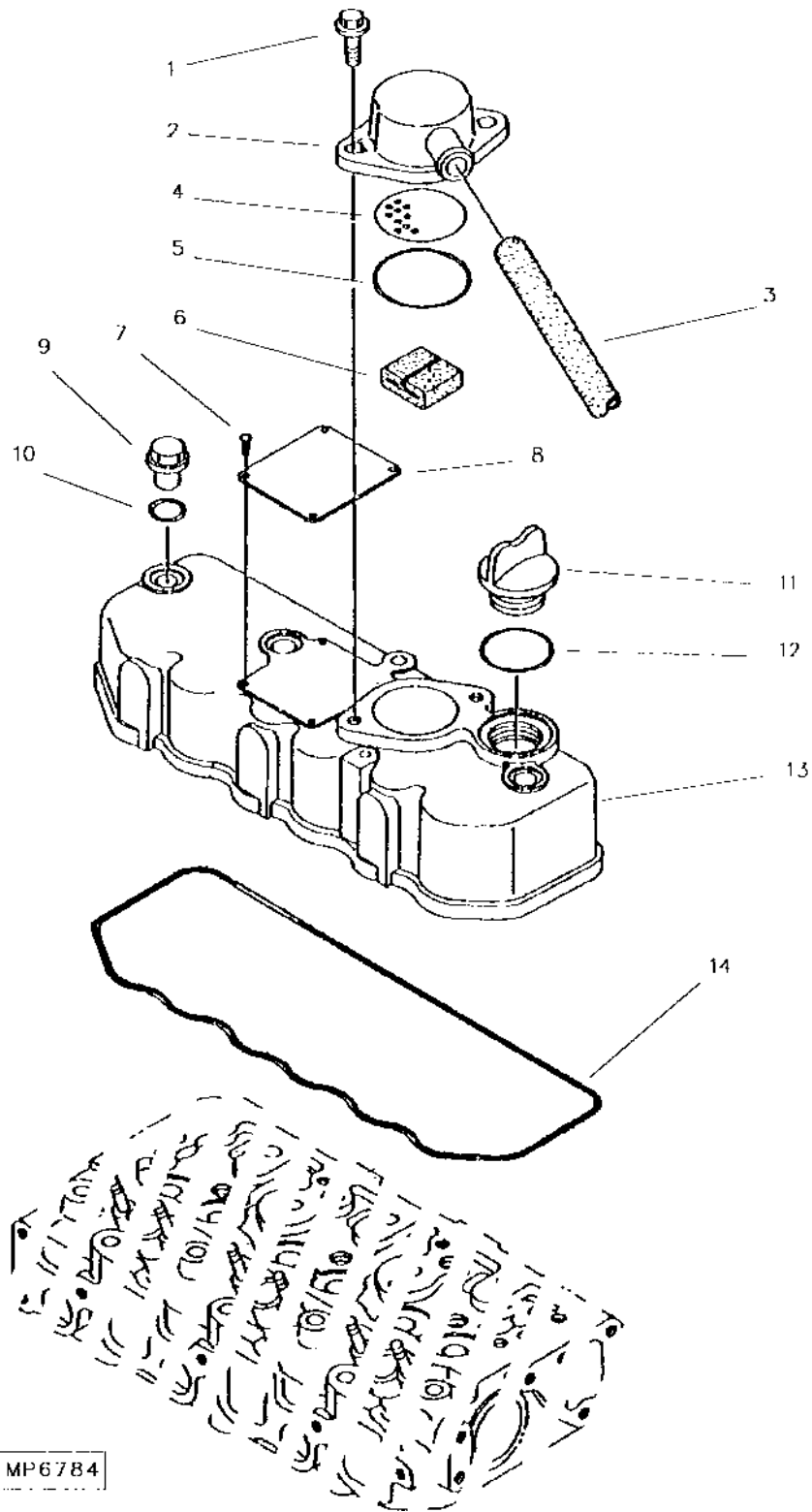
KEY	PART NO.	PART NAME	QTY	SERIAL NO.	REMARKS
1	AM877291	SHORT BLOCK ASSEMBLY	1	970 CUT	
	AM877289	SHORT BLOCK ASSEMBLY	1	1070 CUT	

# 1A22

MP6784

-UN-01JAN94

## CYLINDER HEAD COVER (870)



# 1A23

ENGINE

## CYLINDER HEAD COVER (870) - (CONTINUED)

KEY	PART NO.	PART NAME	QTY	SERIAL NO.	REMARKS
1	19M7865	SCREW	2	(A) M8 X 16 (HS, HEAD MARKED 10.9)	
2	M801031	CAP	1	(A)	
3	.....	HOSE	1	(MAKE FROM M804268)	
4	M801033	PLATE	1	(A)	
5	M801034	O-RING	1	(A)	
6	M801032	DEFLECTOR	1	(A)	
7	CH10061	RIVET	4		
8	.....	IDENTIFICATION PLATE	1		
9	CH10348	NUT	3		
10	CH10568	PACKING	3		
11	M805710	CAP	1	(A)	
12	M805711	PACKING	1	(A)	
13	.....	VALVE COVER	1	(ORDER AT110858)	
14	M801741	PACKING	1	(A)	
..	AT110858	VALVE COVER	1	(INCLUDES PARTS MARKED (A))	

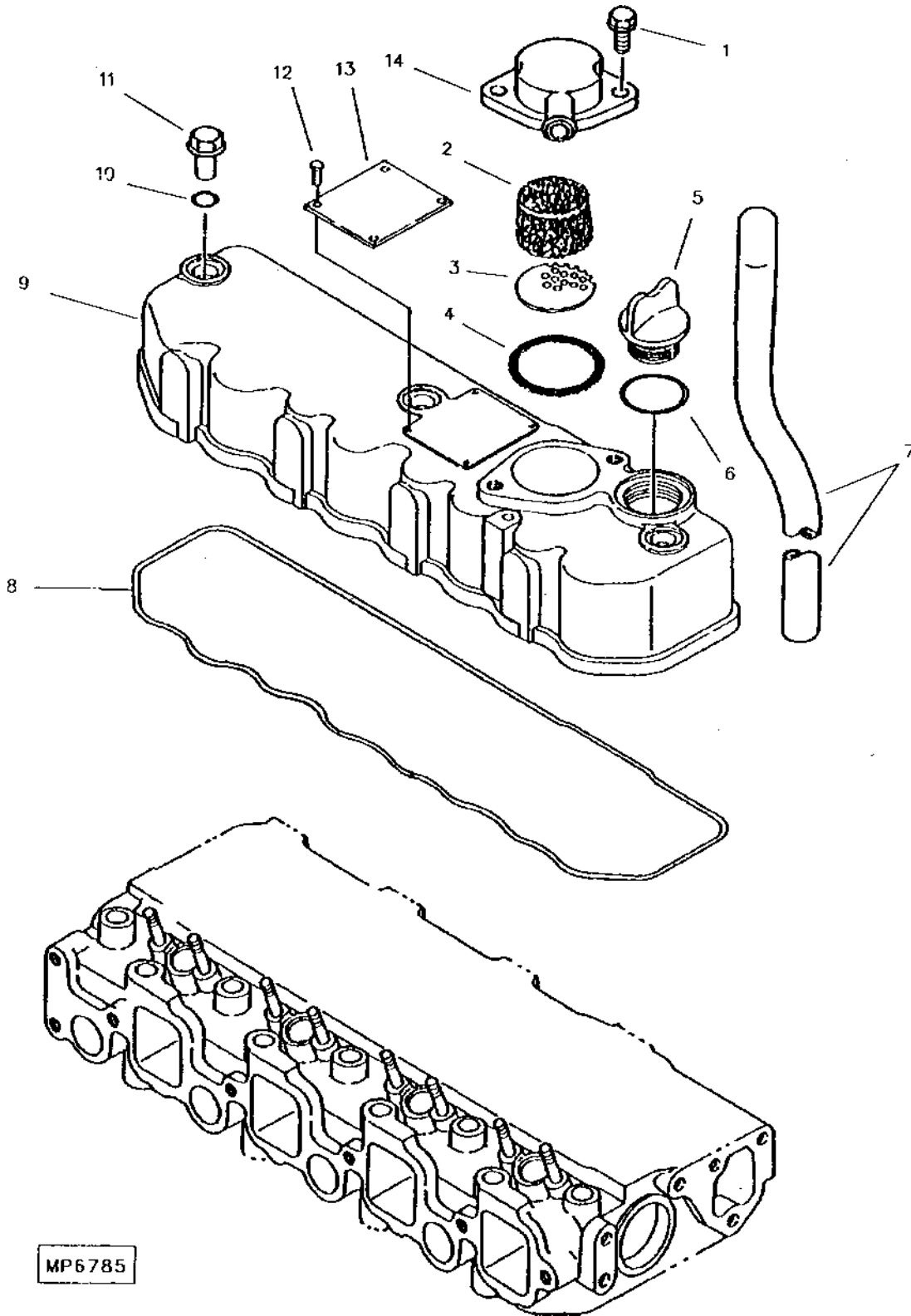
# 1A24

ENGINE

MP6785

-UN-01JAN94

## CYLINDER HEAD COVER (970/1070)



MP6785

# 1A25

ENGINE

## CYLINDER HEAD COVER (970/1070) - (CONTINUED)

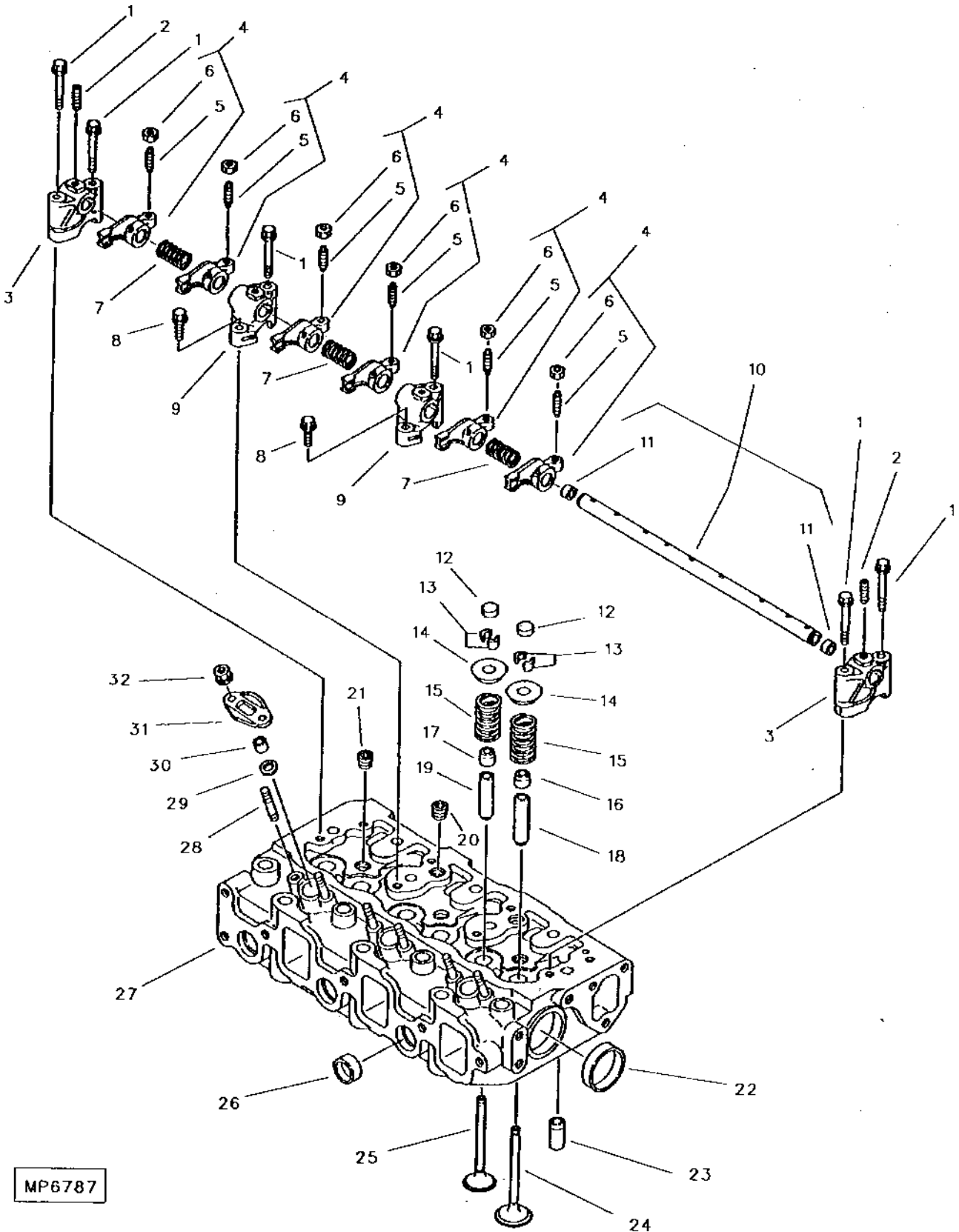
KEY	PART NO.	PART NAME	QTY	SERIAL NO.	REMARKS
1	19M7865	SCREW	2	(A) M8 X 16 (HS, HEAD MARKED 10.9)	
2	M801032	DEFLECTOR	1	(A)	
3	M801033	PLATE	1	(A)	
4	M801034	O-RING	1	(A)	
5	M805710	CAP	1	(A)	
6	M805711	PACKING	1	(A)	
7	.....	HOSE	1	(MAKE FROM M804268)	
8	M801230	O-RING	1	(A)	
9	.....	VALVE COVER	1	(A) (ORDER AT110618)	
10	CH10568	PACKING	3		
11	CH10348	NUT	3		
12	CH10061	RIVET	4		
13	.....	IDENTIFICATION PLATE	1		
14	M801031	CAP	1	(A)	
..	AT110618	COVER	1	(INCLUDES PARTS MARKED (A))	

# 1B1

MP6787

-UN-01JAN94

## CYLINDER HEAD (870)



MP6787



# 1B2

ENGINE

## CYLINDER HEAD (870) - (CONTINUED)

KEY	PART NO.	PART NAME	QTY	SERIAL NO.	REMARKS
1	19M7800	SCREW	6		M8 X 50 (HS, HEAD MARKED 10.9)
2	M801024	STUD	3		
3	M801022	SUPPORT	2		(B) ROCKER ARM
4	AM875383	ARM	6		(B)
5	M801027	SCREW	6		(B)
6	M801028	NUT	6		(B)
7	M801025	SPRING	3		(B)
8	19M7867	SCREW	2		M8 X 25 (HS, HEAD MARKED 10.9)
9	M801023	SUPPORT	2		(B) ROCKER ARM
10	AM875534	SHAFT	1		(B)
11	M800002	PLUG	1		(B)
12	M801224	CAP	6		(A)
13	AM878862	KIT	6		(A) VALVE (PKG. OF 2 SIDES) (SUB FOR (2) CH10067)
14	M801223	RETAINER	6		(A) SPRING
15	M801222	SPRING	6		(A) VALVE
16	T110650	SEAL	3		(A) EXHAUST VALVE
17	CH10450	SEAL	3		(A) INTAKE VALVE
18	M801227	GUIDE	3		EXHAUST VALVE
19	M801228	GUIDE	3		INTAKE VALVE
20	CH16747	PLUG	2		(A)
21	CH15002	PLUG	3		
22	CH16751	PLUG	2		(A)
23	M801217	PLUG	3		(A)
24	M801221	EXHAUST VALVE	3		
25	M801220	INTAKE VALVE	3		(A)
26	CH16749	PLUG	3		(A)
27	.....	CYLINDER HEAD	1		(A) (ORDER AM876330 CYLINDER HEAD ASSEMBLY)
28	M801219	BOLT	6		(A)
29	M801017	VALVE SEAT	3		
30	M806732	GUARD	3		(A) (SUB FOR M801016)
31	M801018	RETAINER	3		(A) NOZZLE
32	14M7303	FLANGE NUT	6		(A) M6
..	AM876330	CYLINDER HEAD	1		(INCLUDES PARTS MARKED (A))
..	AM876331	SUPPORT	1		(INCLUDES PARTS MARKED (B))

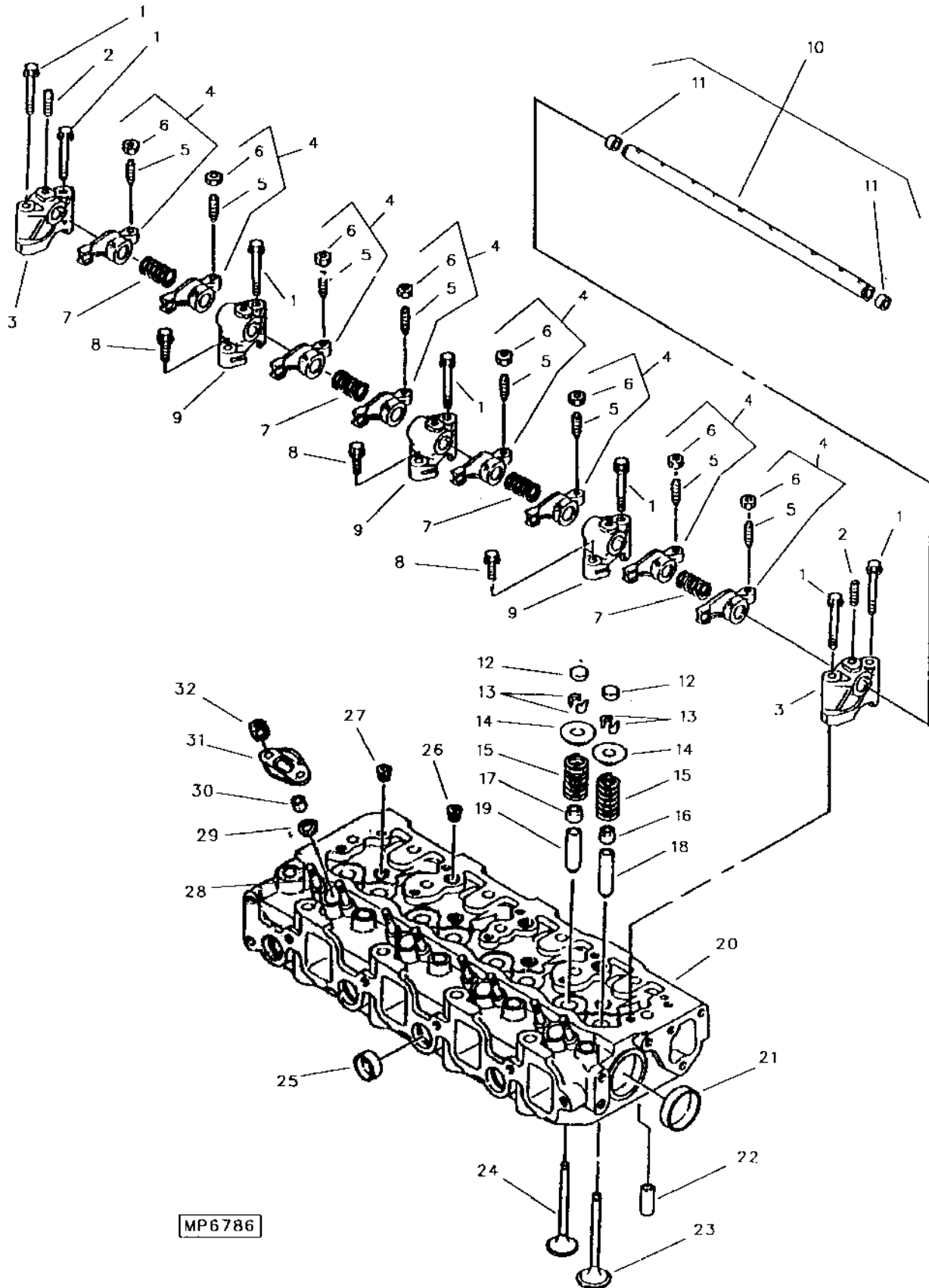
# 1B3

ENGINE

MP6786

-UN-01JAN94

## CYLINDER HEAD (970/1070)



# 1B4

ENGINE

## CYLINDER HEAD (970/1070) - (CONTINUED)

KEY	PART NO.	PART NAME	QTY	SERIAL NO.	REMARKS
1	19M7800	SCREW	7	M8 X 50 (HS, HEAD MARKED 10.9)	
2	M801024	STUD	3	(B)	
3	M801022	SUPPORT	2	(B)	
4	AM875383	ARM	8	(B)	
5	M801027	SCREW	8		
6	M801028	NUT	8		
7	M801025	SPRING	4	(B)	
8	19M7867	SCREW	3	M8 X 25 (HS, HEAD MARKED 10.9)	
9	M801023	SUPPORT	3	(B)	
10	AM875382	SHAFT	1	(B)	
11	M800002	PLUG	2		
12	M801224	CAP	8	(A)	
13	AM878862	KIT	8	(A) VALVE (PKG. OF 2 SIDES) (SUB FOR (2) CH10067)	
14	M801223	RETAINER	8	(A)	
15	M801222	SPRING	8	(A)	
16	CH10450	SEAL	4	(A) INTAKE VALVE	
17	T110650	SEAL	4	(A) EXHAUST VALVE	
18	M801227	GUIDE	4	(A) INTAKE VALVE	
19	M801228	GUIDE	4	(A) EXHAUST VALVE	
20	.....	CYLINDER HEAD	1	(A) (ORDER AM877263 CYLINDER HEAD ASSEMBLY)	
21	CH16751	PLUG	2	(A)	
22	M801217	PLUG	4	(A)	
23	M801220	INTAKE VALVE	4	(A)	
24	M801221	EXHAUST VALVE	4	(A)	
25	CH16749	PLUG	4	(A)	
26	CH16747	PLUG	3	(A)	
27	CH15002	PLUG	4	(A)	
28	M801219	BOLT	8	(A)	
29	M801017	VALVE SEAT	4	(A)	
30	M806732	GUARD	4	(A) (SUB FOR M801016)	
31	M801018	RETAINER	4	(A)	
32	14M7303	FLANGE NUT	8	M6	
..	AM877263	CYLINDER HEAD	1	(INCLUDES PARTS MARKED (A))	
..	AM877264	SUPPORT	1	(INCLUDES PARTS MARKED (B))	

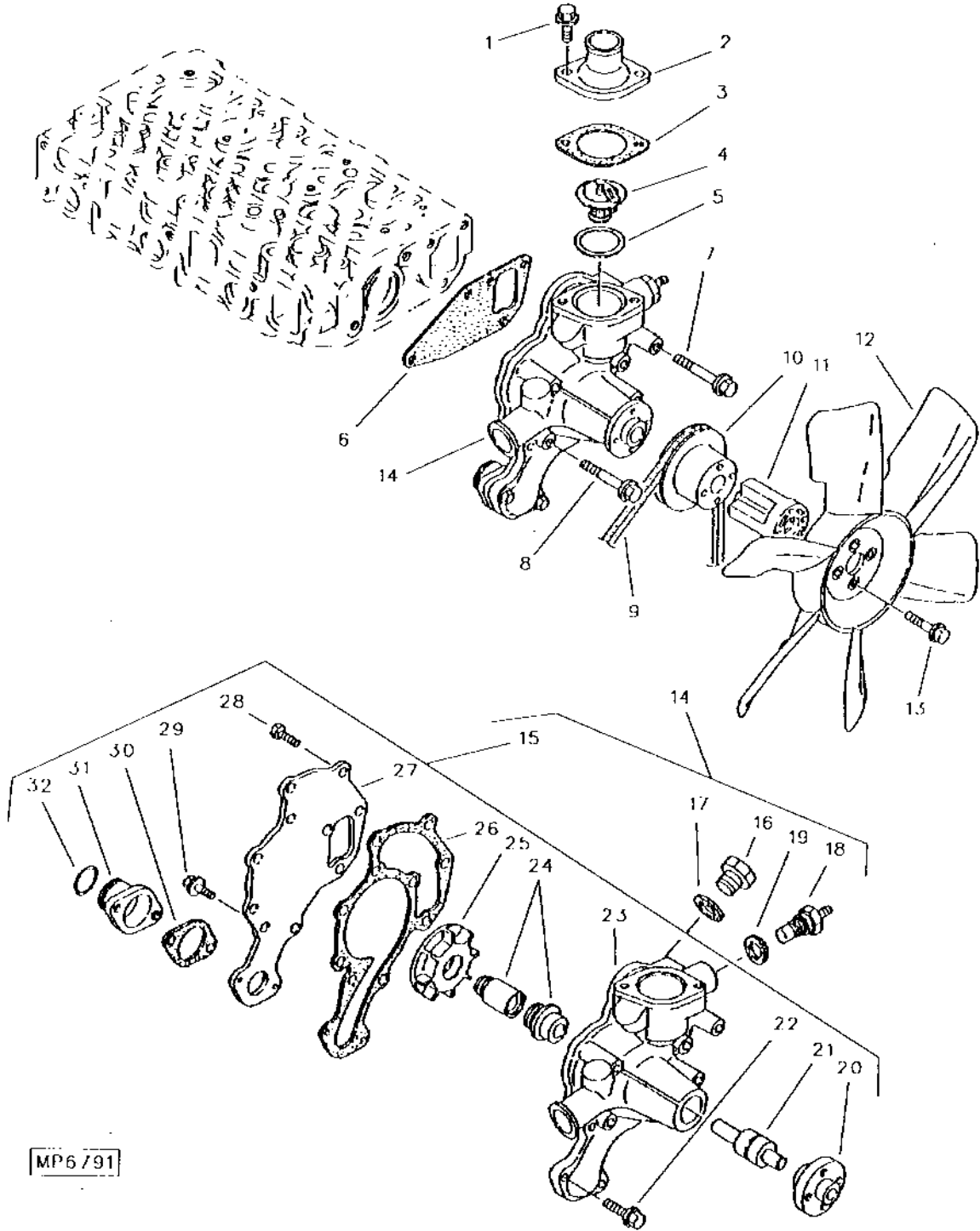
# 1B5

ENGINE

MP6791

-UN-01JAN94

## COOLING WATER PUMP



MP6791

# 1B6

ENGINE

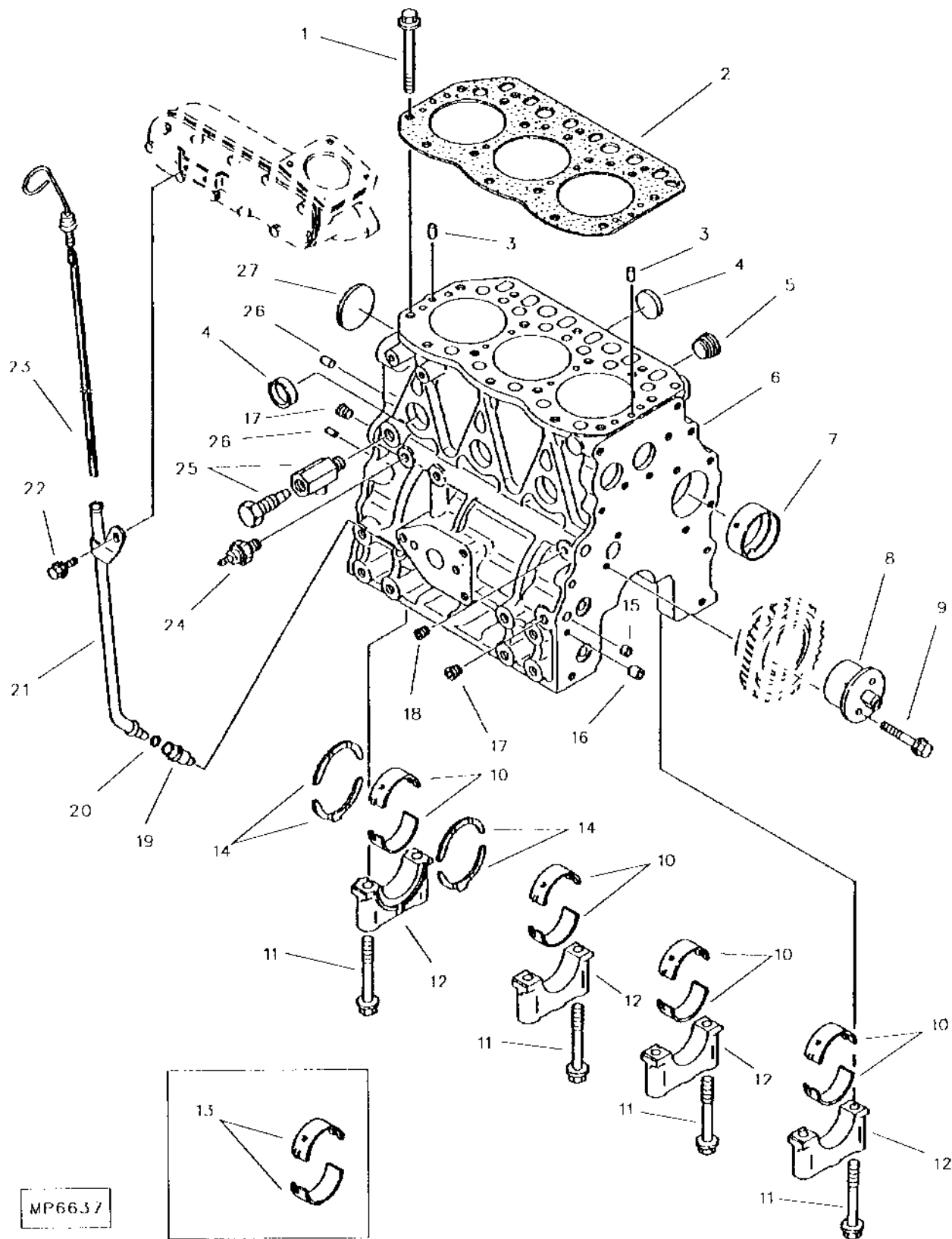
## COOLING WATER PUMP (CONTINUED)

KEY	PART NO.	PART NAME	QTY	SERIAL NO.	REMARKS
				1 8 9 0 7 7 7 0 0 0	
1	19M7866	SCREW	2		M8 X 20 (HS, HEAD MARKED 10.9)
2	CH15535	COVER	1		
3	M805834	GASKET	1		(SUB FOR M87859)
4	M801088	THERMOSTAT	1		
5	M805835	GASKET	1		(SUB FOR M87860)
6	M801084	GASKET	1		
7	19M7979	SCREW	3		M8 X 55 (HS, HEAD MARKED 10.9)
8	19M7801	SCREW	1		M8 X 60 (HS, HEAD MARKED 10.9)
9	M802627	BELT	1		
10	M801086	PULLEY	1		
11	M804378	SPACER	1	X	
	M801762	SPACER	1	X X	(PART NOT SHOWN)
12	M800955	FAN	1	X	
	M805013	FAN	1	X X	
13	M804379	BOLT	4	X	
	M801763	BOLT	4	X X	
14	AM878199	PUMP	1		(SUB FOR AM876431)
15	M805843	PUMP	1		(DOES NOT INCLUDE M805844 GASKET) (SUB FOR AM876341)
16	M800312	PLUG	1		
17	CH13814	GASKET	1		
18	T110736	SENSOR	1		
19	T110737	GASKET	1		
20	.....	PLATE	1		(ORDER M805843)
21	CH16849	BEARING	1		
22	M87820	BOLT	2		
23	.....	HOUSING	1		(ORDER M805843)
24	.....	SEAL	1		(ORDER M805843)
25	.....	IMPELLER	1		(ORDER M805843)
26	M801756	GASKET	1		
27	M801757	PLATE	1		
28	CH10577	BOLT	1		
29	CH19140	BOLT	5		
30	M805844	GASKET	1		(SUB FOR M801759)
31	M801758	PIPE	1		
32	M801760	O-RING	1		

# 1B7

MP6637 -UN-01JAN94

## CYLINDER BLOCK (870)



# 1B8

ENGINE

## CYLINDER BLOCK (870) - (CONTINUED)

KEY	PART NO.	PART NAME	QTY	SERIAL NO.	REMARKS
1	M801186	BOLT	14		
2	M804333	GASKET	1		
3	CH18079	SPRING PIN	2	(A)	
4	CH10642	PLUG	6	(A)	
5	15H562	PIPE PLUG	1	(A) 1"	
6	.....	CYLINDER BLOCK	1	(A) (ORDER AM877288)	
7	M800977	BUSHING	1	(A) CAMSHAFT	
8	M800978	SHAFT	1	(A) IDLE GEAR	
9	CH19101	BOLT	2		
10	AM875371	BEARING KIT	4	(A)	
11	M801189	BOLT	8	(A)	
12	.....	BEARING CAP	4	(A) (ORDER AM877288)	
13	AM875374	BEARING KIT	4	.25MM (.010") US	
14	AM875373	BEARING KIT	2	(A) THRUST	
15	M87801	PLUG	2	(A)	
16	M800974	PIPE	2	(A)	
17	CH10335	PLUG	3	(A)	
18	15H558	PIPE PLUG	1	(A) 1/8"	
19	M89143	GUIDE	1	(A) DIPSTICK	
20	CH10571	PACKING	1	(A)	
21	M802620	GUIDE	1		
22	19M7864	SCREW	1	M8 X 12 (HS, HEAD MARKED 10.9)	
23	M802621	DIPSTICK	1		
24	CH15500	SWITCH	1	OIL PRESSURE	
25	AM100800	DRAIN VALVE	1		
26	M802255	PIN	2	(A)	
27	M806840	PLUG	1	(A) (SUB FOR M800973)	
..	AM877288	CYLINDER BLOCK	1	(INCLUDES PARTS MARKED (A))	

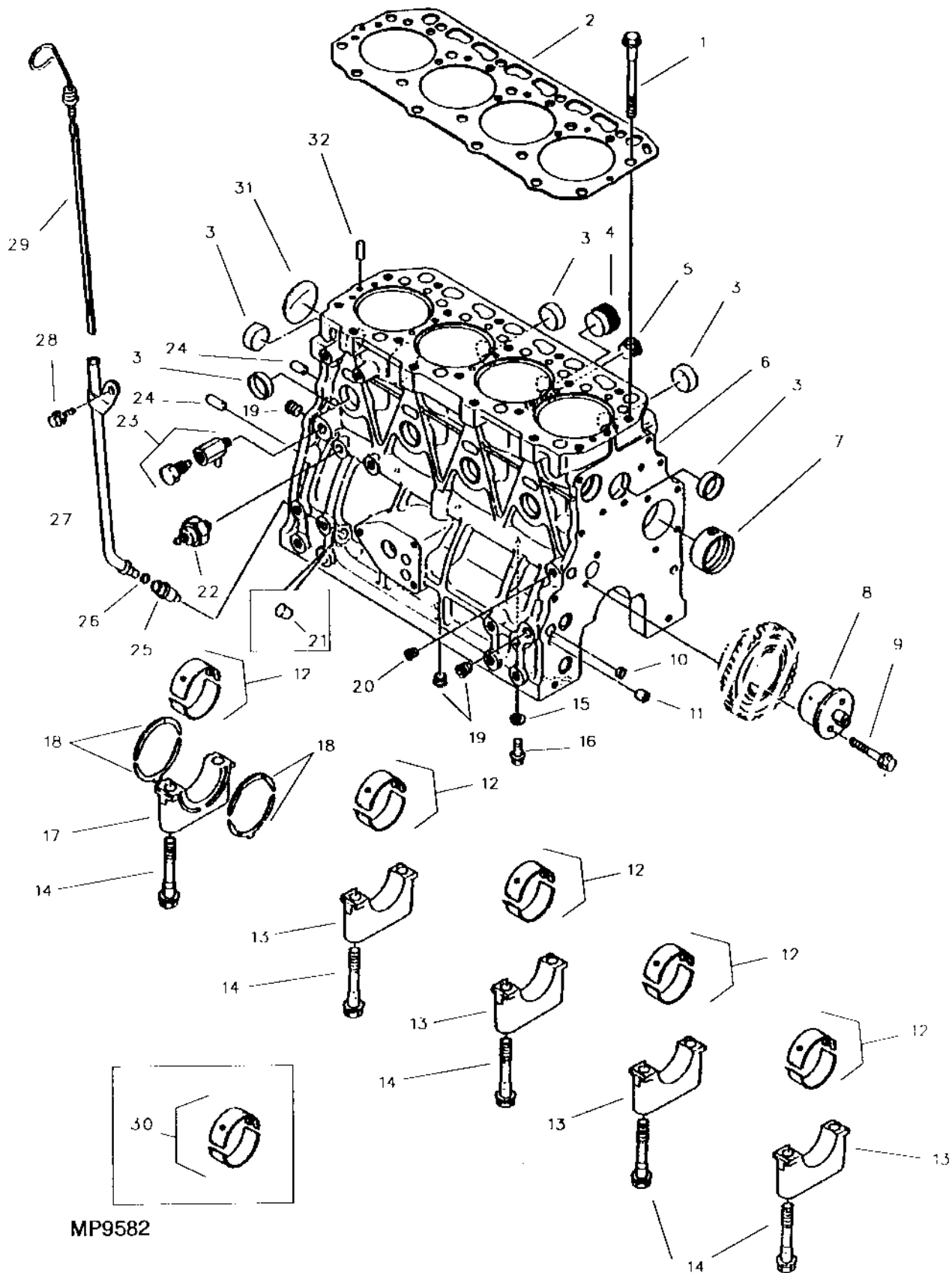
# 1B9

ENGINE

MP9582

-UN-02JAN94

## CYLINDER BLOCK (970/1070)



MP9582



# 1B10

ENGINE

## CYLINDER BLOCK (970/1070) - (CONTINUED)

KEY	PART NO.	PART NAME	QTY	SERIAL NO.	REMARKS
				1	
				9 0	
				7 7	
				0 0	
1	M801186	BOLT	18		
2	M805849	GASKET	1	X	(SUB FOR M801187)
	M805850	GASKET	1	X	(SUB FOR M804334)
3	CH10642	PLUG	8		(A) (B)
4	15H562	PIPE PLUG	1		(A) (B) 1"
5	CH15002	PLUG	1		(A) (B)
6	.....	CYLINDER BLOCK	1		(A) (B) (ORDER AM877290 OR AM877292)
7	M800977	BUSHING	1		(A) (B)
8	M800978	SHAFT	1		(A) (B) IDLER
9	CH19101	BOLT	2		(A) (B)
10	M87801	PLUG	2		(A) (B)
11	M800974	PIPE	2		(A) (B)
12	AM875371	BEARING KIT	5		(A) (B) STD
13	.....	BEARING CAP	4		(A) (B) (ORDER AM877290 OR AM877292)
14	M801189	BOLT	10		(A) (B)
15	CH10554	PACKING	4		(A) (B)
16	19M7864	SCREW	4		M8 X 12 (HS, HEAD MARKED 10.9)
17	.....	BEARING CAP	1		
18	AM875373	BEARING KIT	2		(A) (B)
19	CH10335	PLUG	2		(A) (B)
20	15H558	PIPE PLUG	1		(A) (B) 1/8"
21	T113961	PLUG	1		(A) (B)
22	CH15500	SWITCH	1		OIL PRESSURE
23	AM100800	DRAIN VALVE	1		
24	M802255	PIN	2		(A) (B)
25	M89143	GUIDE	1		
26	CH10571	PACKING	1		
27	M804373	DIPSTICK	1		
28	19M7864	SCREW	1		(A) (B) M8 X 12 (HS, HEAD MARKED 10.9)
29	M801732	DIPSTICK	1		
30	AM875374	BEARING KIT	5		.25MM (.010") OS
31	M806840	PLUG	1		(A) (B) (SUB FOR M800973)
32	CH18079	SPRING PIN	2		(A) (B)
..	AM877292	CYLINDER BLOCK	1	X	(INCLUDES PARTS MARKED (A))
..	AM877290	CYLINDER BLOCK	1	X	(INCLUDES PARTS MARKED (B))

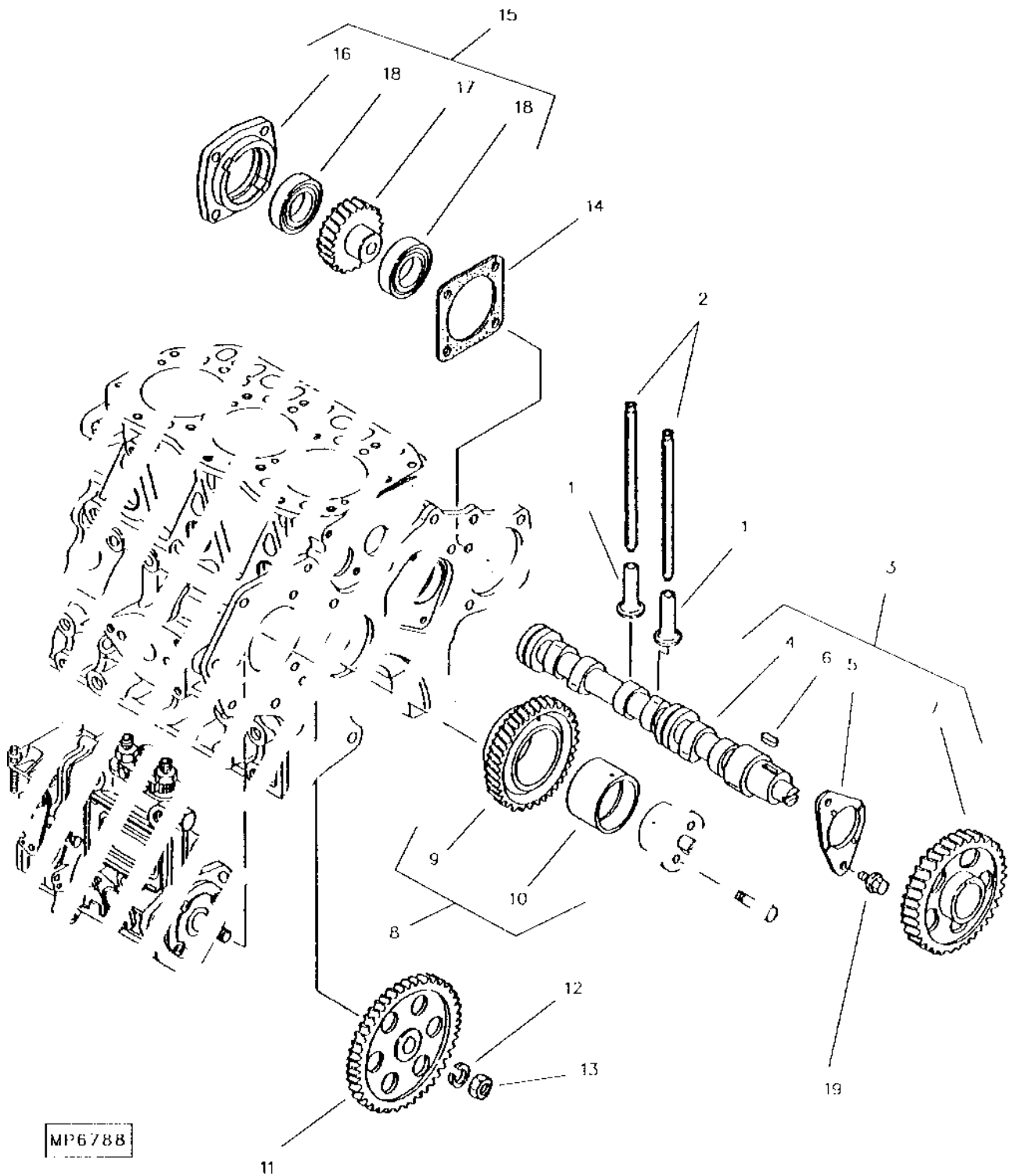
# 1B11

ENGINE

MP6788

-UN-01JAN94

## CAMSHAFT AND IDLE GEAR



# 1B12

ENGINE

## CAMSHAFT AND IDLE GEAR (CONTINUED)

KEY	PART NO.	PART NAME	QTY	SERIAL NO.	REMARKS
				1	
				8 9 0	
				7 7 7	
				0 0 0	
1	M801046	CAM FOLLOWER	AR		
2	M801238	PUSH ROD	AR		
3	AM875386	CAMSHAFT	1		X X
	AM876430	CAMSHAFT	1		X
4	.....	CAMSHAFT	1		(ORDER AM875386 OR AM876430)
5	.....	THRUST BEARING	1		(ORDER AM875386 OR AM876430)
6	M801045	SHAFT KEY	1		
7	M801044	GEAR	1		CAMSHAFT
8	AM875315	GEAR	1		
9	.....	GEAR	1		(ORDER AM875315)
10	M801050	BUSHING	1		
11	M801239	GEAR	1		FI PUMP
12	12M7067	LOCK WASHER	1		12.200 MM
13	14M7275	NUT	1		M12
14	M805840	GASKET	1		(SUB FOR M87850)
15	AM876339	GEAR	1		HO PUMP
16	M802618	BRACKET	1		
17	AM876339	GEAR	1		HO PUMP
18	CH13505	BALL BEARING	2		
19	19M7865	SCREW	2		M8 X 16 (HS, HEAD MARKED 10.9)

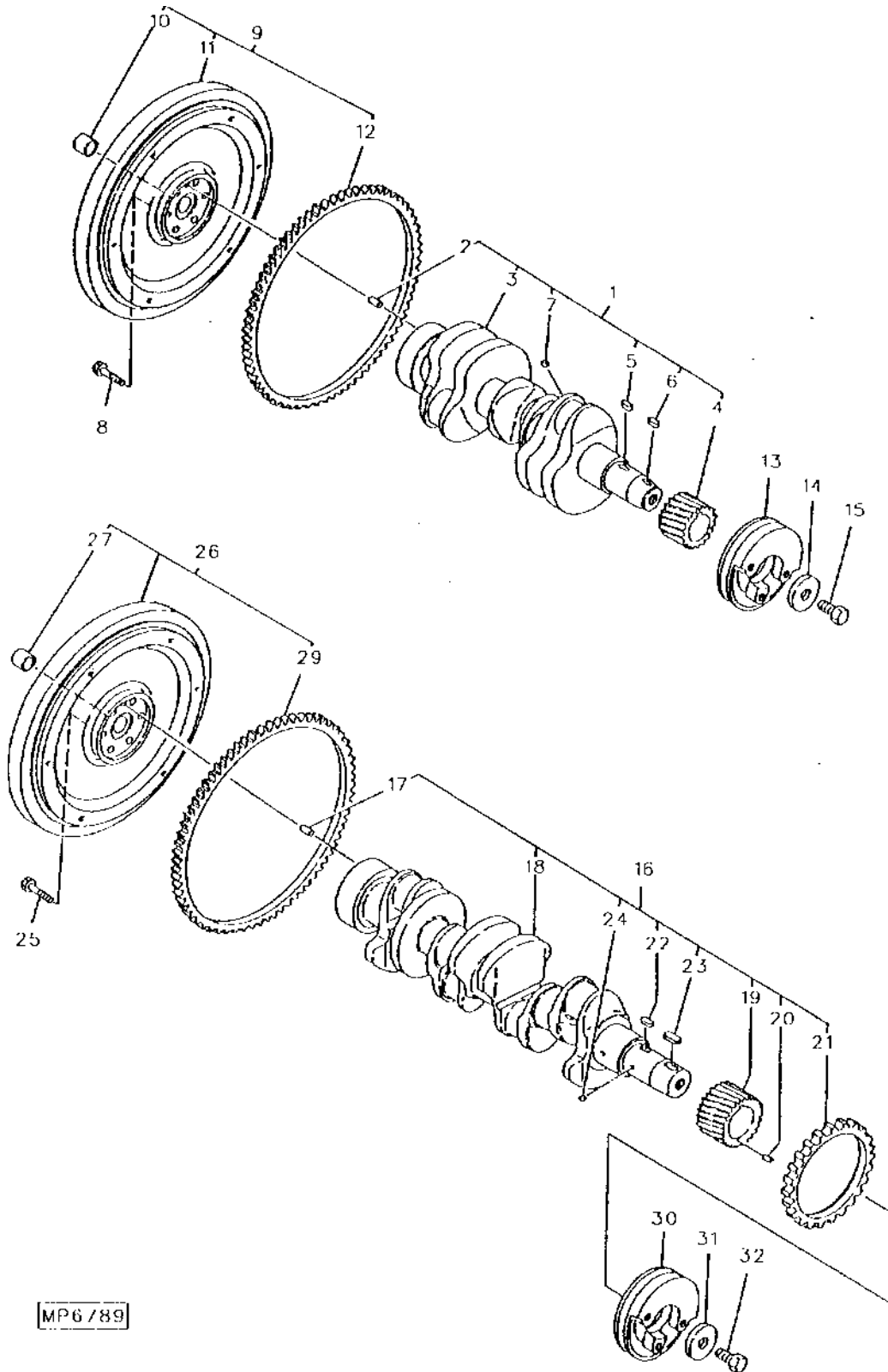
# 1B13

ENGINE

MP6789

-UN-01JAN94

## CRANKSHAFT AND FLYWHEEL



# 1B14

ENGINE

## CRANKSHAFT AND FLYWHEEL (CONTINUED)

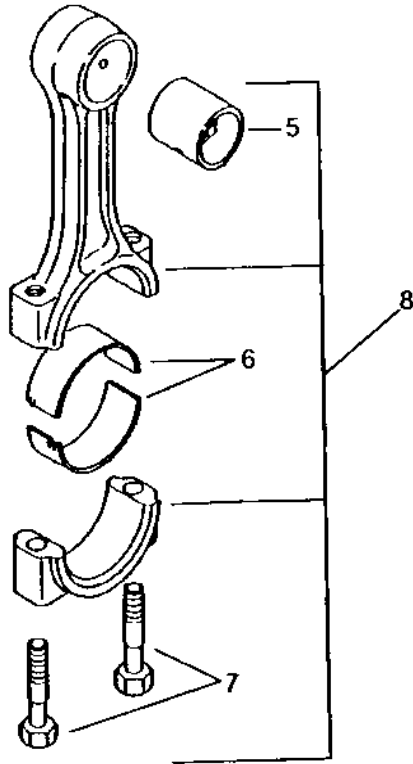
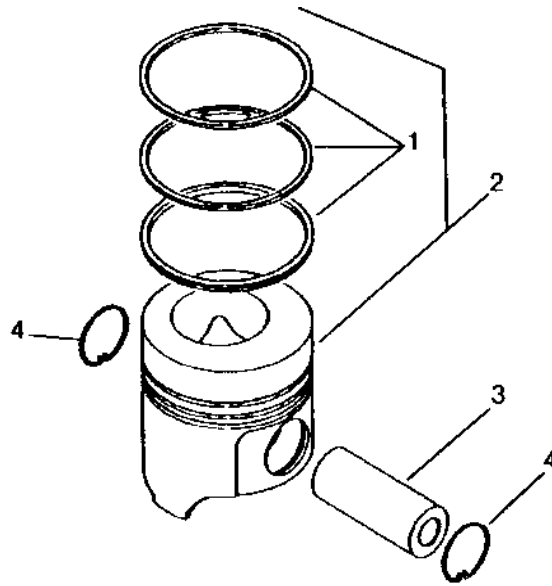
KEY	PART NO.	PART NAME	QTY	SERIAL NO.	REMARKS
				1	
				8 9 0	
				7 7 7	
				0 0 0	
1	AM876335	CRANKSHAFT	1	X	
2	M802255	PIN	1	X	
3	.....	CRANKSHAFT	1	X	(ORDER AM876335)
4	M801053	GEAR	1	X	CRANKSHAFT
5	M801045	SHAFT KEY	1	X	
6	M802614	KEY	1	X	
7	400R	BALL	1	X	(SUB FOR CH14955)
8	CH19291	BOLT	6	X	FLYWHEEL
9	AM877269	FLYWHEEL	1	X	
10	JD9449	BALL BEARING	1	X	
11	.....	FLYWHEEL	1	X	(ORDER AM877269)
12	CH10466	GEAR	1	X	RING
13	M802617	PULLEY	1	X	
14	M801055	WASHER	1	X	
15	CH16798	BOLT	1	X	PULLEY
16	AM877268	CRANKSHAFT	1	X X	
17	M802255	PIN	1	X X	
18	.....	CRANKSHAFT	1	X X	(ORDER AM877268)
19	M801053	GEAR	1	X X	CRANKSHAFT
20	CH16793	PIN	1	X X	
21	M804355	GEAR	1	X X	BALANCER
22	M801045	SHAFT KEY	1	X X	
23	M802614	KEY	1	X X	
24	400R	BALL	1	X X	(SUB FOR CH14955)
25	CH19291	BOLT	6	X X	FLYWHEEL
26	AM877270	FLYWHEEL	1	X X	
27	JD9449	BALL BEARING	1	X X	
28	.....	FLYWHEEL	1	X X	(ORDER AM877270)
29	CH10466	GEAR	1	X X	RING
30	M804359	PULLEY	1	X X	
31	M801055	WASHER	1	X X	
32	CH16798	BOLT	1	X X	PULLEY

# 1B15

MP7954

-UN-02JAN94

## PISTON AND CONNECTING ROD



MP7954

# 1B16

ENGINE

## PISTON AND CONNECTING ROD (CONTINUED)

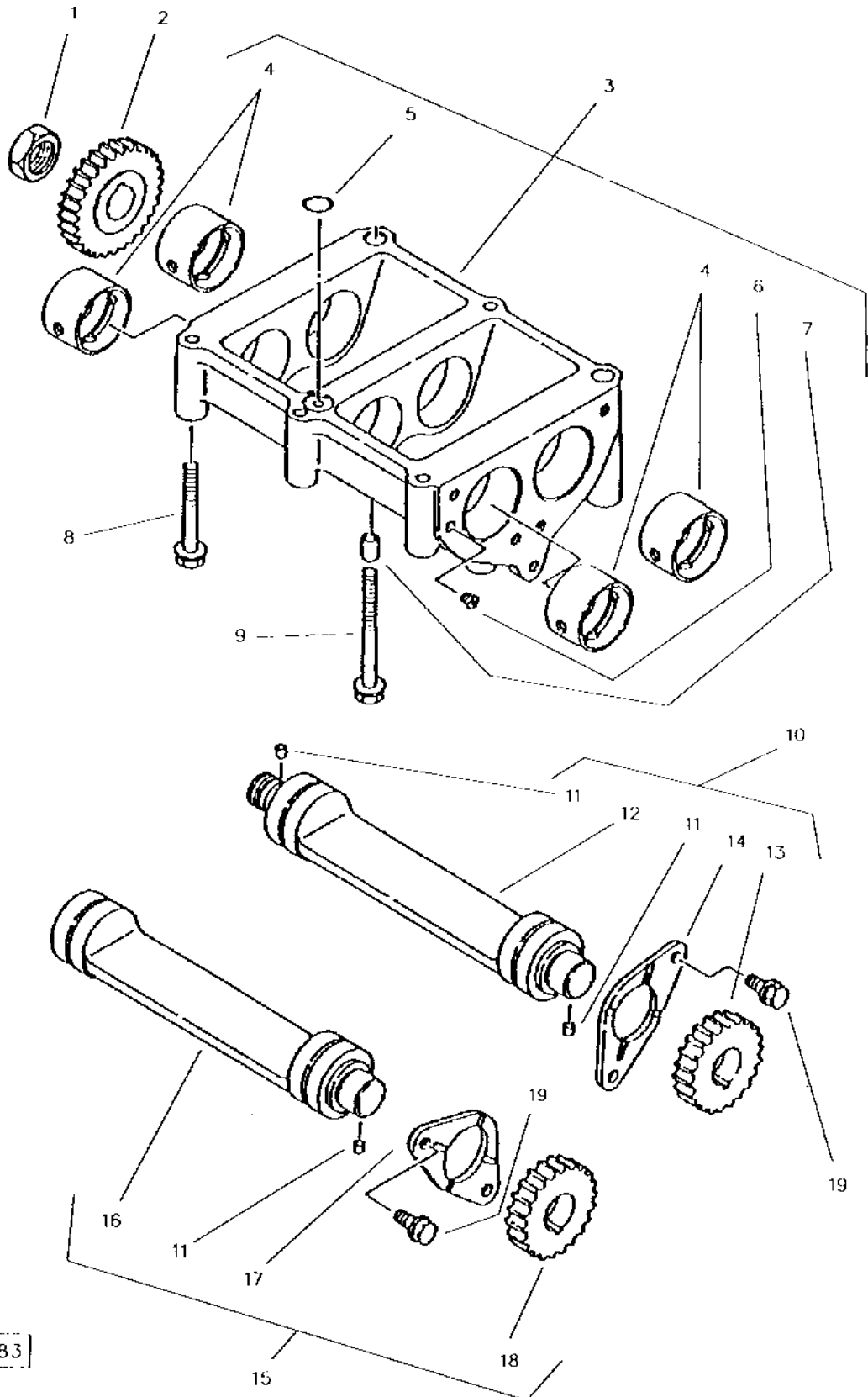
KEY	PART NO.	PART NAME	QTY	SERIAL NO.	1		REMARKS
					8 9 0	7 7 7	
					0 0 0		
1	AM877273	PISTON RING KIT	3		X		STD
	AM875390	PISTON RING KIT	4		X		STD
	AM877273	PISTON RING KIT	4			X	STD
	AM877294	PISTON RING KIT	3		X		.25 MM (.010") OVERSIZE
	AM875394	PISTON RING KIT	4		X		.25 MM (.010") OVERSIZE
	AM877294	PISTON RING KIT	4			X	.25 MM (.010") OVERSIZE
	AM878245	PISTON RING KIT	3		X		.50 MM (.020") OVERSIZE
	AM878243	PISTON RING KIT	4		X		.50 MM (.020") OVERSIZE
	AM878245	PISTON RING KIT	4			X	.50 MM (.020") OVERSIZE
2	AM877272	PISTON	3		X		STD
	AM875389	PISTON	4		X		STD
	AM877272	PISTON	4			X	STD
	AM877293	PISTON	3		X		.25 MM (.010") OVERSIZE
	AM875393	PISTON	4		X		.25 MM (.010") OVERSIZE
	AM877293	PISTON	4			X	.25 MM (.010") OVERSIZE
	AM878244	PISTON	3		X		.50 MM (.020") OVERSIZE
	AM878242	PISTON	4		X		.50 MM (.020") OVERSIZE
	AM878244	PISTON	4			X	.50 MM (.020") OVERSIZE
3	M801246	PISTON PIN	1				
4	M801247	RETAINER	2				PISTON PIN
5	M801256	BEARING	1				PISTON PIN
6	AM875392	BEARING	1				STD
	AM875395	BEARING	1				.25 MM (.010") OVERSIZE
7	CH15483	BOLT	2				
8	AM875391	CONNECTING ROD	3		X		STD
	AM875391	CONNECTING ROD	4			X X	STD

# 1B17

MP6783

-UN-01JAN94

## BALANCER (970/1070)



MP6783



# 1B18

ENGINE

## BALANCER (970/1070) - (CONTINUED)

KEY	PART NO.	PART NAME	QTY	SERIAL NO.	REMARKS
1	M804364	NUT	1	(A)	
2	M804368	GEAR	1	(A)	BALANCER
3	.....	CASE	1	(A)	BALANCER, (ORDER AM877275)
4	.....	BUSHING	4	(A)	(ORDER AM877275)
5	CH10569	PACKING	1	(A)	
6	CH19109	FITTING PLUG	1	(A)	
7	M804365	PIN	1	(A)	
8	19M7801	SCREW	4		M8 X 60 (HS, HEAD MARKED 10.9)
9	M87885	BOLT	2		
10	AM877276	KIT	1	(A)	BALANCER SHAFT
11	CH16793	PIN	2	(A)	
12	.....	SHAFT	1	(A)	(ORDER AM877276)
13	M804370	GEAR	2	(A)	BALANCER
14	M804371	THRUST BEARING	1	(A)	
15	AM877277	KIT	1	(A)	BALANCER SHAFT
16	.....	SHAFT	1	(A)	BALANCER, (ORDER AM877277)
17	M804371	THRUST BEARING	2		
18	M804370	GEAR	1		BALANCER
19	19M7865	SCREW	4		M8 X 16 (HS, HEAD MARKED 10.9)
..	AM877274	BALANCER	1		(INCLUDES PARTS MARKED(A))

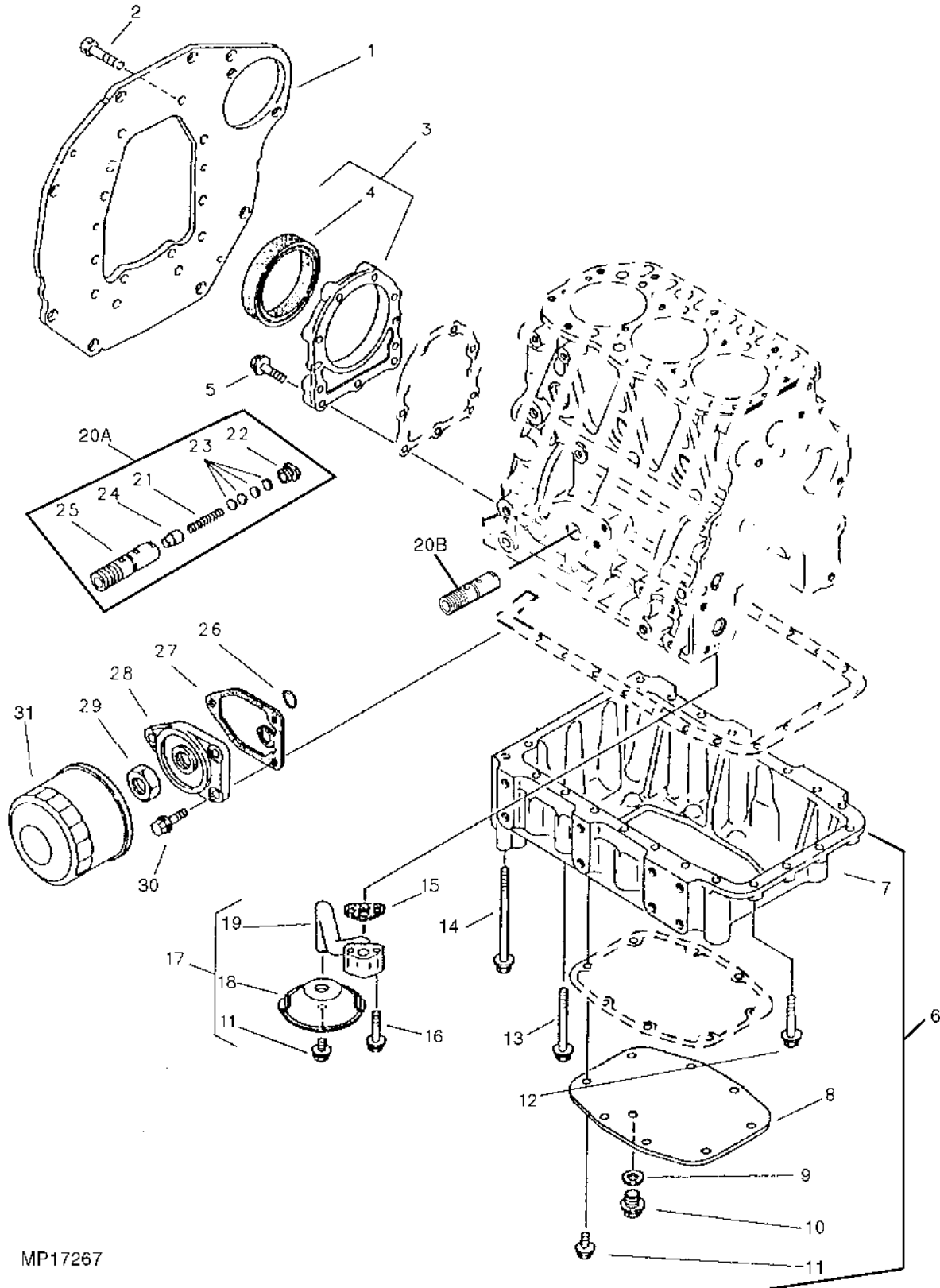
# 1B19

ENGINE

MP17267

-UN-17APR97

## OIL-SEAL CASE, FILTER AND OIL SUMP (870)



MP17267

# 1B20

ENGINE

## OIL-SEAL CASE, FILTER, AND OIL SUMP (870) (CONTINUED)

KEY	PART NO.	PART NAME	QTY	SERIAL NO.	REMARKS
1	M804335	FLANGE FITTING	1		
2	M800011	BOLT	8		
3	AM875375	CASE	1		
4	M805278	SEAL	1		(SUB FOR M801203)
5	19M7868	SCREW	9		M8 X 30 (HS, HEAD MARKED 10.9)
6	.....	OIL PAN	1		(ORDER COMPONENTS)
7	M804336	OIL PAN	1		
8	T111566	COVER	1		
9	CH16727	WASHER	1		
10	T111565	PLUG	1		
11	19M7864	SCREW	8		M8 X 12 (HS, HEAD MARKED 10.9)
12	19M7867	SCREW	4		M8 X 25 (HS, HEAD MARKED 10.9)
13	CH19136	BOLT	14		
14	T111562	BOLT	4		
15	M805829	GASKET	1		(SUB FOR M800999)
16	19M7897	SCREW	2		M8 X 35 (HS, HEAD MARKED 10.9)
17	AM876340	STRAINER	1		
18	M802622	STRAINER	1		
19	M802623	PIPE	1		
20	AM875306	VALVE	1	-150000	OIL PRESSURE (SUB M806738) (ALSO ORDER AM878778 OIL PUMP)
	M806738	BOLT	1	150001-	
21	.....	SPRING	1		
22	.....	RETAINER	1		
23	.....	SHIM	4		
24	.....	RETAINER	1		
25	.....	VALVE	1		
26	CH10570	PACKING	1		
27	M805830	GASKET	1		(SUB FOR M801001)
28	M801000	BRACKET	1		
29	M89148	NUT	1		
30	19M7866	SCREW	3		M8 X 20 (HS, HEAD MARKED 10.9)
31	M801209	OIL FILTER	1		

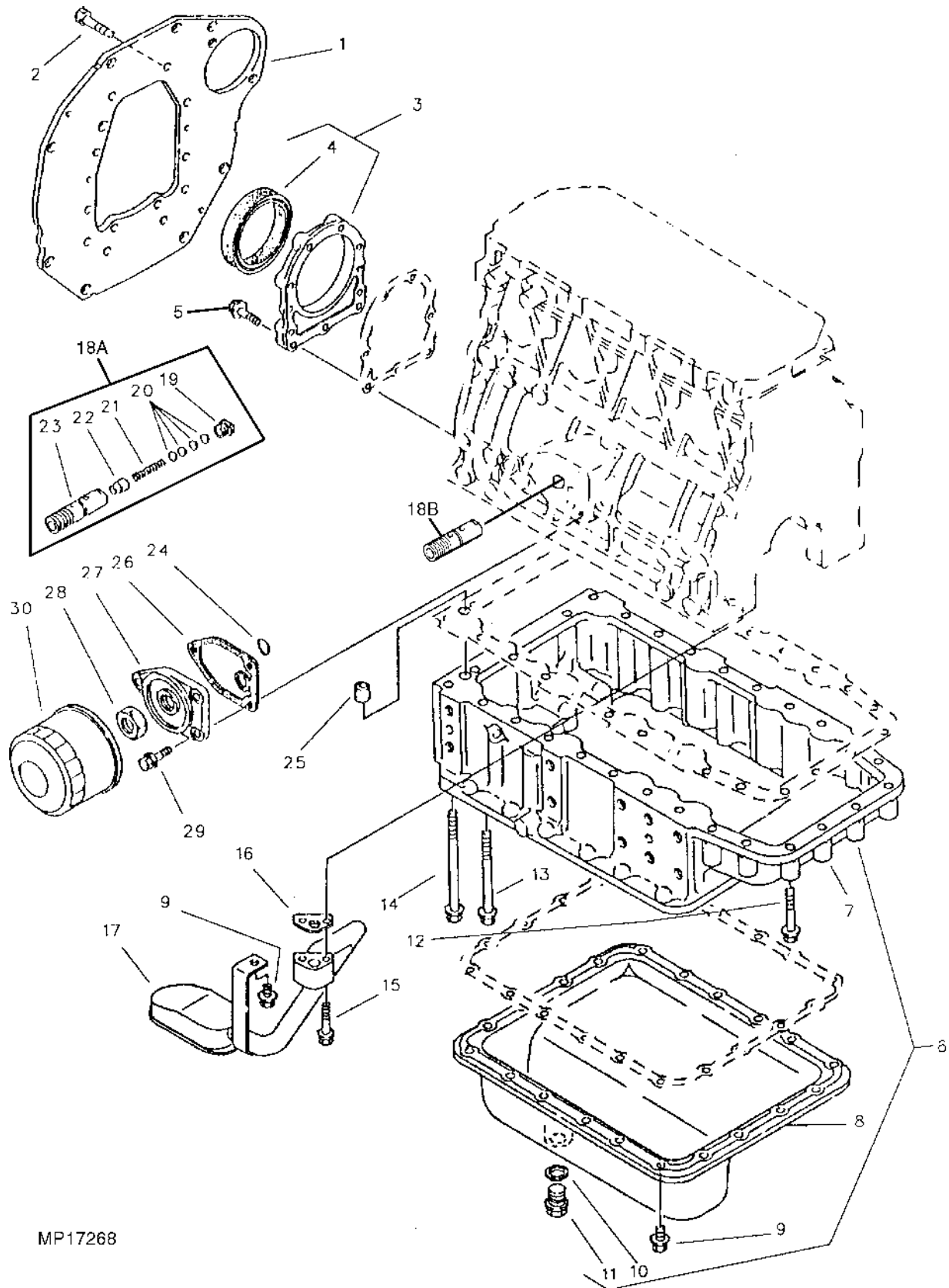
# 1B21

ENGINE

MP17268

-UN-17APR97

## OIL SEAL CASE, FILTER, AND OIL SUMP (970/1070)



MP17268

# 1B22

ENGINE

## OIL SEAL CASE, FILTER AND OIL SUMP (970/1070) - (CONTINUED)

KEY	PART NO.	PART NAME	QTY	SERIAL NO.	REMARKS
1	M804335	FLANGE FITTING	1		
2	M800011	BOLT	8		
3	AM875375	CASE	1		
4	M805278	SEAL	1		(SUB FOR M801203)
5	19M7868	SCREW	9		M8 X 30 (HS, HEAD MARKED 10.9)
6	.....	KIT	1		OIL PAN (ORDER COMPONENTS)
7	M804337	OIL PAN	1		
8	M804338	PLATE	1		OIL PAN
9	19M7864	SCREW	21		M8 X 12 (HS, HEAD MARKED 10.9)
10	CH16727	WASHER	1		
11	T111565	PLUG	1		
12	19M7800	SCREW	8		M8 X 50 (HS, HEAD MARKED 10.9)
13	CH19093	BOLT	14		
14	T111562	BOLT	4		
15	19M7897	SCREW	2		M8 X 35 (HS, HEAD MARKED 10.9)
16	M805829	GASKET	1		(SUB FOR M800999)
17	AM877278	FUEL PICKUP	1		
18A	AM875306	VALVE	1	-150000	
18B	M806738	BOLT	1	150001-	
19	.....	RETAINER	1		
20	.....	SHIM	4		
21	.....	SPRING	1		
22	.....	RETAINER	1		
23	.....	VALVE	1		
24	CH10570	PACKING	1		
25	T110645	PIPE	1		
26	M805830	GASKET	1		(SUB FOR M801001)
27	M801000	BRACKET	1		
28	M89148	NUT	1		
29	19M7866	SCREW	3		M8 X 20 (HS, HEAD MARKED 10.9)
30	M801209	OIL FILTER	1		
..	M64850	SEALANT	1		GASKET

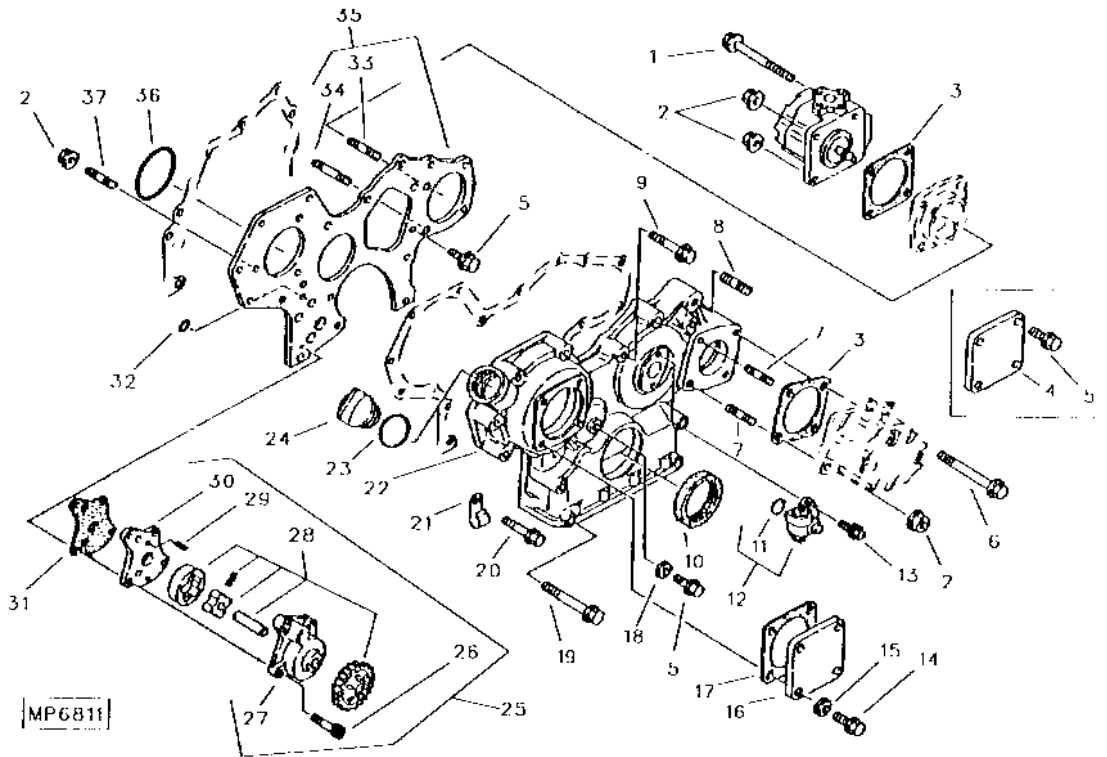
# 1B23

ENGINE

MP6811

-UN-01JAN94

## GEAR HOUSING



# 1B24

ENGINE

## GEAR HOUSING (CONTINUED)

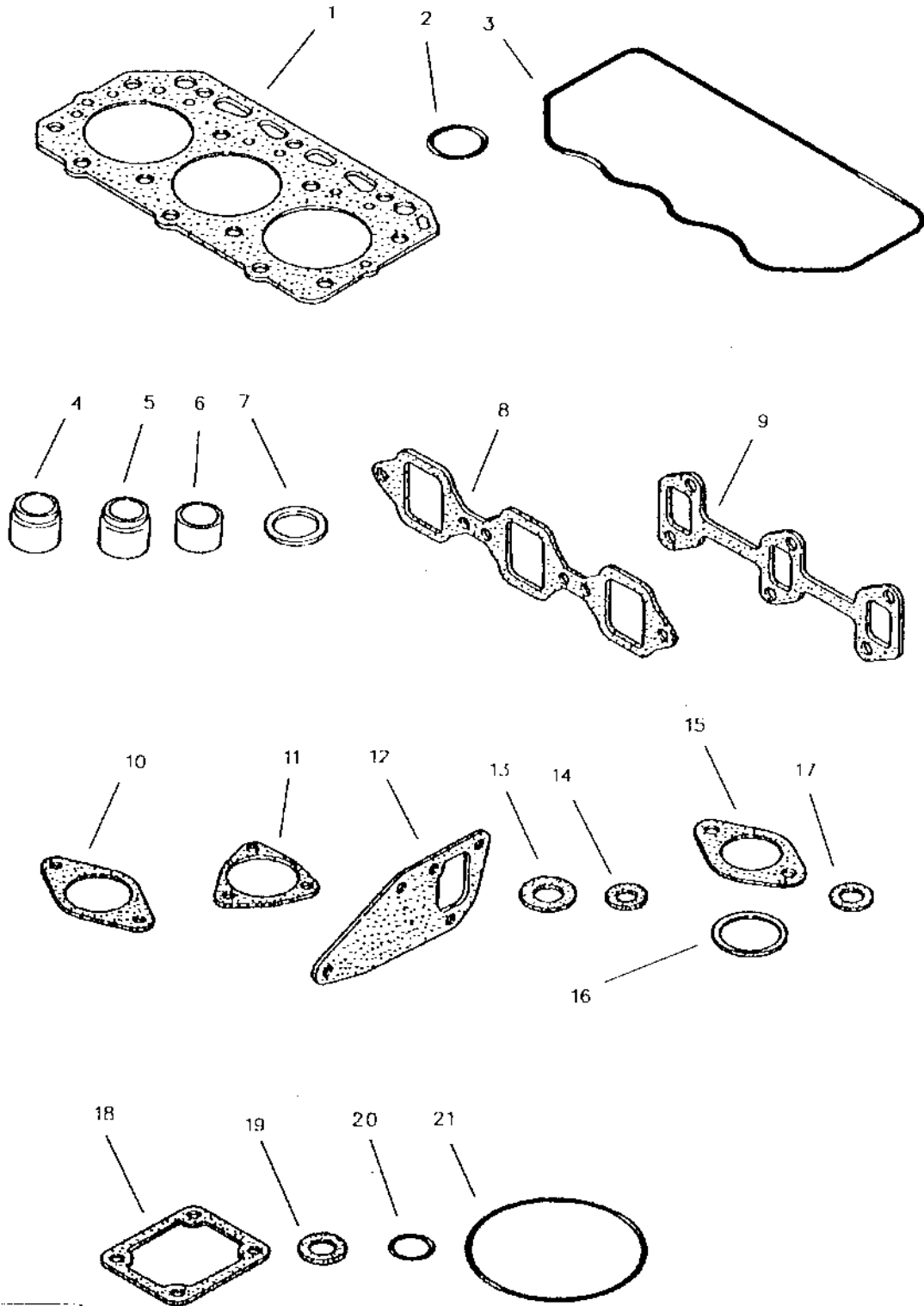
KEY	PART NO.	PART NAME	QTY	SERIAL NO.	REMARKS
				1	
				8 9 0	
				7 7 7	
				0 0 0	
1	T111562	BOLT	2		
2	14M7273	NUT	3		M8
	12M7065	LOCK WASHER	4		8.100 MM
3	M805696	GASKET	2		(SUB FOR CH12816)
4	CH18096	COVER	1		HYDRAULIC OIL PUMP
5	19M7865	SCREW	7		M8 X 16 (HS, HEAD MARKED 10.9)
6	M87885	BOLT	2		
7	CH16781	STUD	2		
8	CH15389	STUD	1		(A)
9	19M7979	SCREW	3		M8 X 55 (HS, HEAD MARKED 10.9)
10	M800988	SEAL	1		(A)
11	CH13526	PACKING	1		
12	AM875580	TACHOMETER	1		
13	19M7775	SCREW	2		M6 X 16 (HS, HEAD MARKED 10.9) (SUB FOR M87868)
14	19M7864	SCREW	4		M8 X 12 (HS, HEAD MARKED 10.9)
15	M806424	WASHER	4		
16	CH18096	COVER	1		
17	M805696	GASKET	2		(SUB FOR CH12816)
18	M806424	WASHER	1		
19	CH19136	BOLT	4		
20	CH19101	BOLT	6		
21	M801038	CLAMP	1		
22	.....	GEAR CASE	1		(A)
23	M805711	PACKING	1		
24	M805710	CAP	1		
25	AM878778	OIL PUMP	1	X	(SUB FOR AM875377)
	AM878891	OIL PUMP	1	X X	(SUB FOR AM875377)
26	M800676	BOLT	4		
27	.....	HOUSING	1		(ORDER OIL PUMP)
28	AM878786	ROTOR	1	X	(SUB FOR AM875378)
	AM878891	OIL PUMP	1	X X	(SUB FOR AM875378)
29	CH15933	PIN	2		
30	.....	COVER	1		(ORDER OIL PUMP)
31	M801005	GASKET	1		
32	CH10570	PACKING	2		
33	M802595	STUD	1		
34	M802596	STUD	1		(A)
35	AM876328	PLATE	1		
36	CH16940	O-RING	1		
37	CH15722	STUD	3		
..	AM876327	GEAR CASE	1		(INCLUDES PARTS MARKED (A))

# 1C1

MP6794

-UN-01JAN94

## HEAD GASKET KIT (870)



MP6794



## HEAD GASKET KIT (870) (CONTINUED)

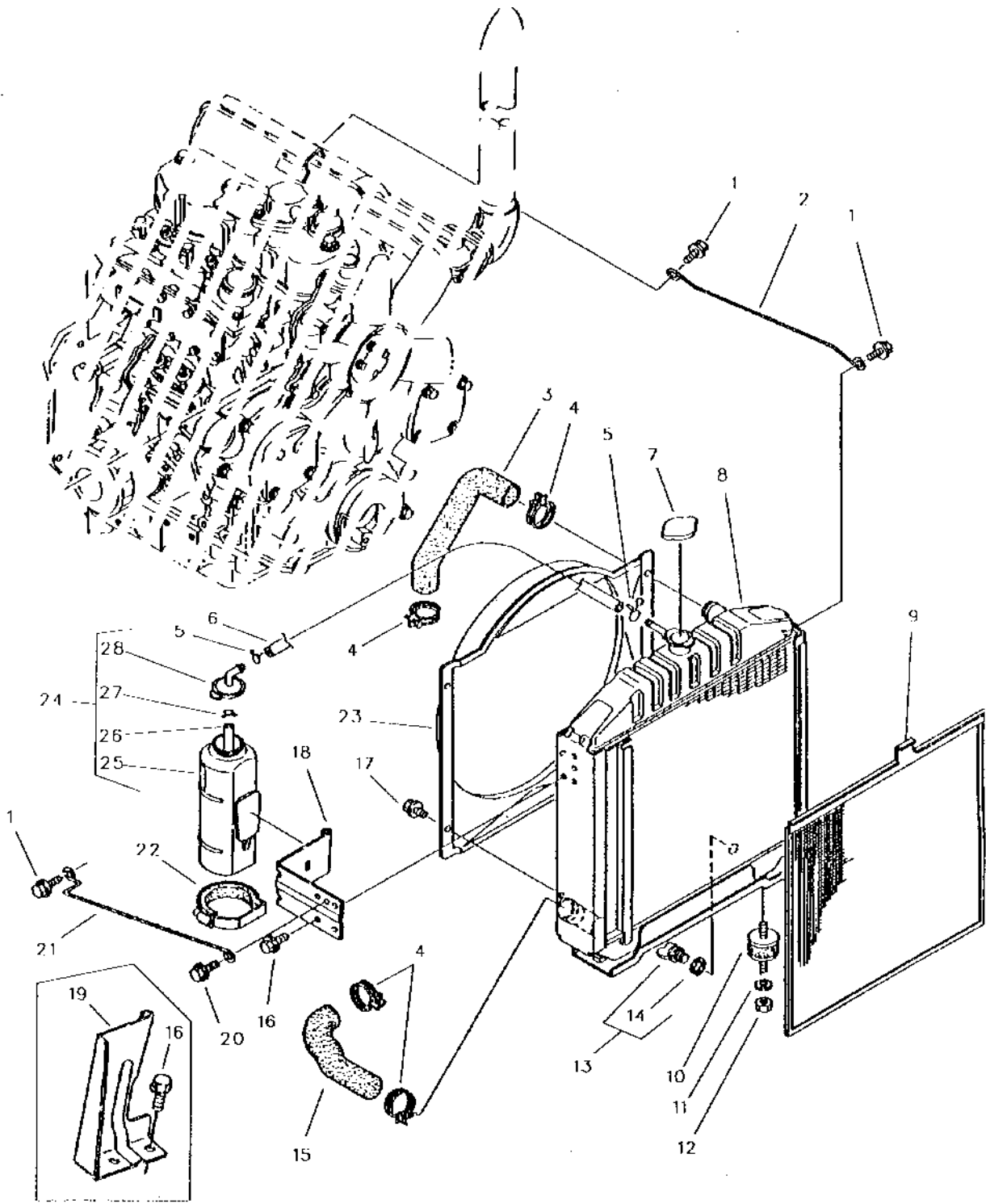
KEY	PART NO.	PART NAME	QTY	SERIAL NO.	REMARKS
1	M805837	GASKET	1		CYLINDER HEAD (SUB FOR M804333)
2	M805711	PACKING	1		
3	M801741	PACKING	1		ROCKER COVER
4	T110650	SEAL	3		EXHAUST VALVE
5	CH10450	SEAL	3		VALVE
6	M806732	GUARD	3		(SUB FOR M801016)
7	M801017	VALVE SEAT	3		
8	M805833	GASKET	1		INTAKE MANIFOLD, (SUB FOR M801744)
9	M801746	GASKET	1		EXHAUST MANIFOLD
10	M802662	GASKET	1		MUFFLER
11	M802664	GASKET	1		
12	M801084	GASKET	1		PUMP
13	CH13814	GASKET	1		
14	T110737	GASKET	1		
15	M805834	GASKET	1		UPPER THERMOSTAT, (SUB FOR M87859)
16	M805835	GASKET	1		(SUB FOR M87860)
17	CH10085	PACKING	2		
18	M805836	GASKET	1		(SUB FOR M801119)
19	CH15385	WASHER	2		HEATER
20	CH10568	PACKING	3		
21	M801034	O-RING	1		
..	AM878181	GASKET KIT	1		HEAD

# 1C3

MP6792

-UN-01JAN94

## RADIATOR AND EXPANSION TANK



MP6792

## RADIATOR AND EXPANSION TANK (CONTINUED)

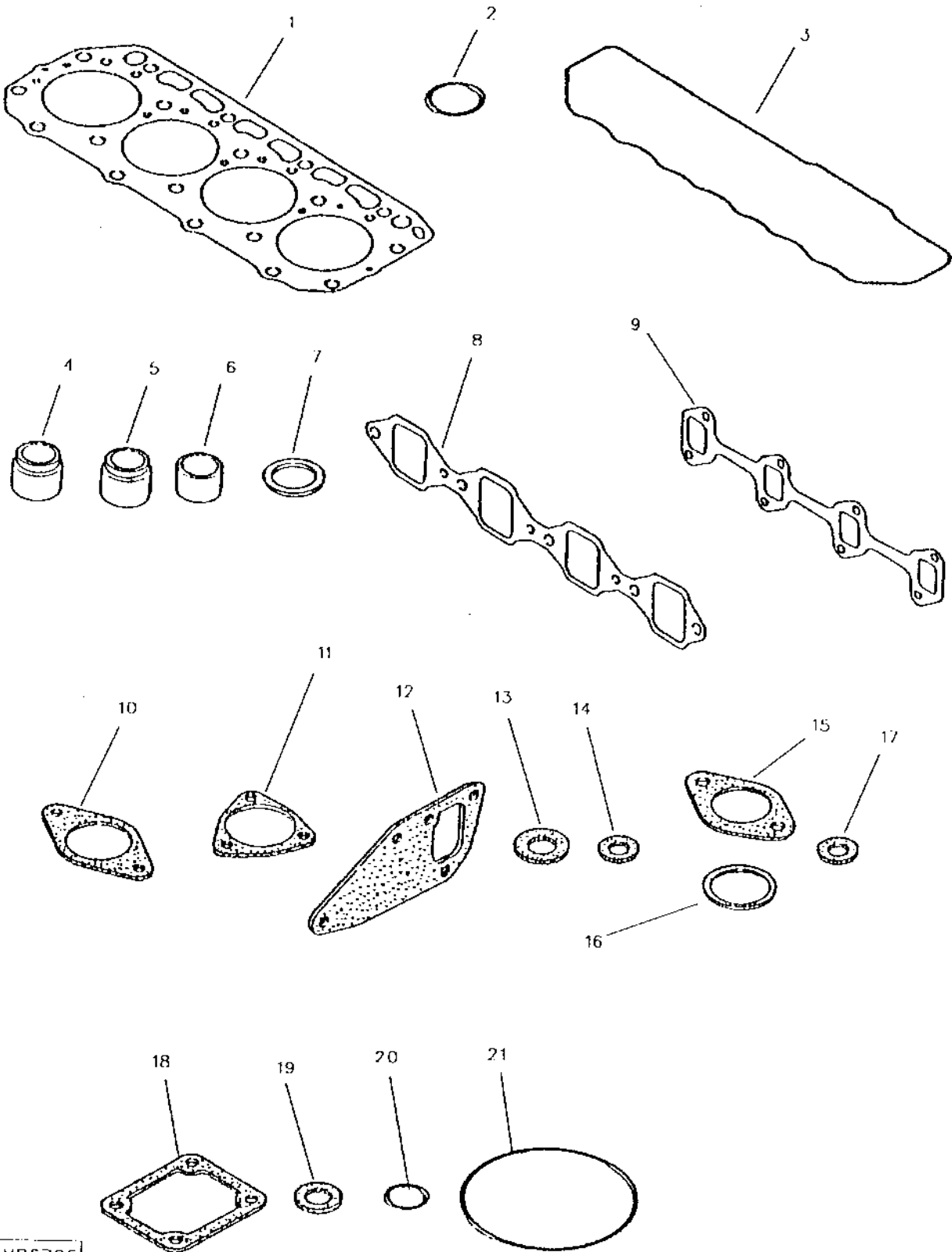
KEY	PART NO.	PART NAME	QTY	SERIAL NO.	1			REMARKS
					8	9	0	
					7	7	7	
					0	0	0	
1	19M7865	SCREW	AR					M8 X 16 (HS, HEAD MARKED 10.9)
2	M804389	SUPPORT	1					
3	M804390	HOSE	1		X			
	M804391	HOSE	1			X	X	
4	T110735	CLAMP	4					
5	CH12782	CLAMP	2					(A) (B)
6	.....	HOSE	1					OVERFLOW (MAKE FROM M88753)
7	M802715	FILLER CAP	1					(A) (B)
8	M804380	RADIATOR	1		X			(B)
	M804383	RADIATOR	1			X	X	(A)
9	M804382	GUARD	1					(A) (B)
10	M802684	RUBBER MOUNT	2					
11	12M7066	LOCK WASHER	2					10.200 MM
12	14M7274	NUT	2					M10
13	AM876409	VALVE	1					(A) (B)
14	M802679	PACKING	1					(A) (B)
15	M804392	HOSE	1		X			
	M804393	HOSE	1			X	X	
16	19M7866	SCREW	2					M8 X 20 (HS, HEAD MARKED 10.9)
17	19M6614	CAP SCREW	4					M6 X 12
	12M7006	LOCK WASHER	4					6.100 MM
	24M7054	WASHER	4					6.400 X 12 X 1.600 MM
18	M804385	BRACKET	1		X			
19	M804386	BRACKET	1			X	X	
20	19M7864	SCREW	1					M8 X 12 (HS, HEAD MARKED 10.9)
21	M804387	SUPPORT	1		X			RADIATOR
	M804388	SUPPORT	1			X	X	
22	CH15945	CLAMP	1					
23	M804381	SHROUD	1		X			(B)
	M804384	SHROUD	1			X	X	(A)
24	CH12866	TANK	1					
25	.....	TANK	1					(ORDER CH12866)
26	CH10551	PIPE	1					
27	CH10426	RETAINER	1					
28	CH12896	CAP	1					
..	AM877279	RADIATOR	1		X			(INCLUDES PARTS MARKED (B))
..	AM877280	RADIATOR	1			X	X	(INCLUDES PARTS MARKED (A))

# 1C5

MP6795

-UN-01JAN94

## HEAD GASKET KIT (970/1070)



MP6795

# 1C6

ENGINE

## HEAD GASKET KIT (970/1070) (CONTINUED)

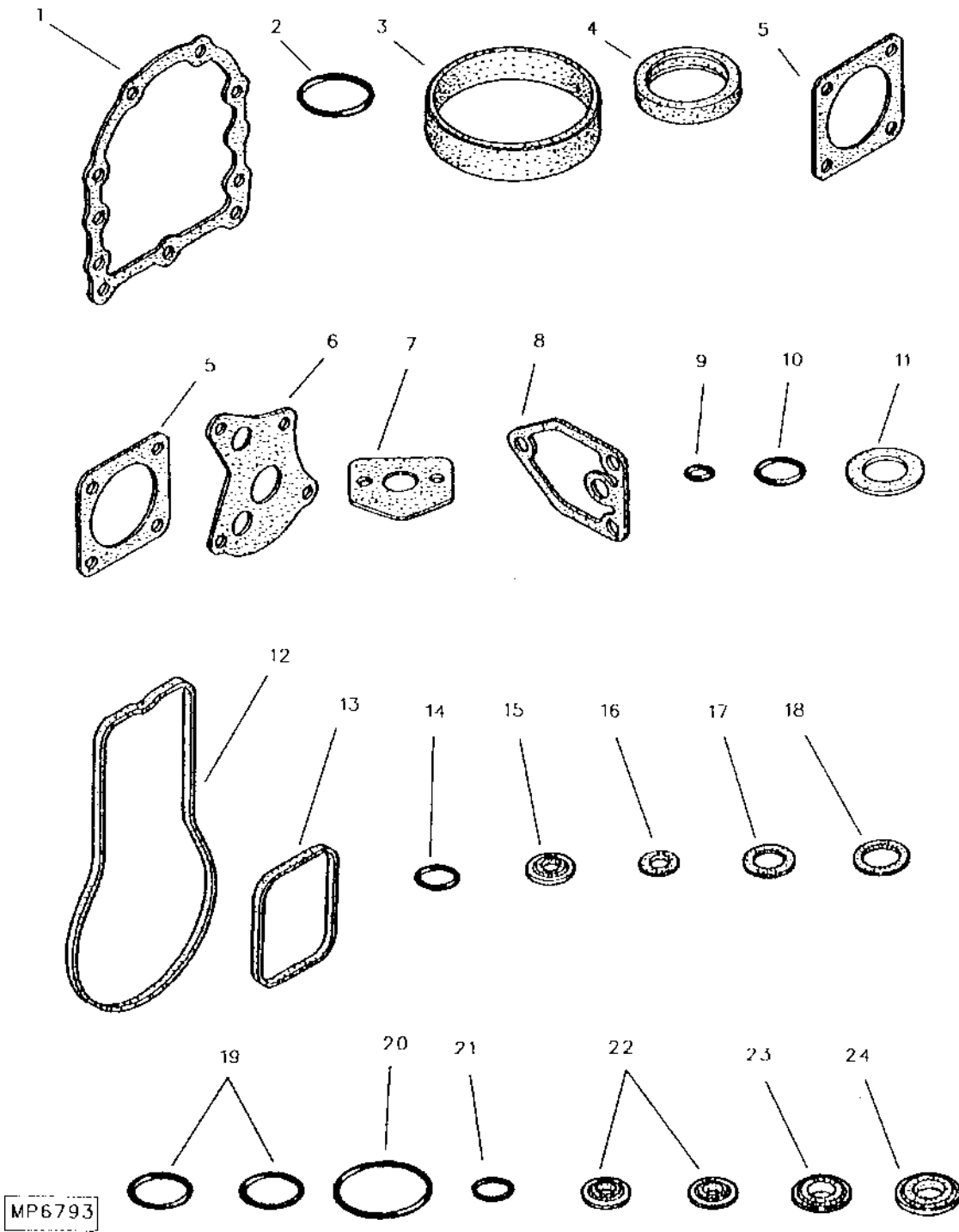
KEY	PART NO.	PART NAME	QTY	SERIAL NO.	REMARKS
				1	
				9 0	
				7 7	
				0 0	
1	M805849	GASKET	1	X	(SUB FOR M801187)
	M805850	GASKET	1	X	(SUB FOR M804334)
2	M805711	PACKING	1		
3	M801230	O-RING	1		
4	T110650	SEAL	3		
5	CH10450	SEAL	3		
6	M806732	GUARD	3		(SUB FOR M801016)
7	M801017	VALVE SEAT	3		
8	M805851	GASKET	1		(SUB FOR M801233)
9	M801235	GASKET	1		
10	M802662	GASKET	1		
11	M802664	GASKET	1		
12	M801084	GASKET	1		
13	CH13814	GASKET	1		
14	T110737	GASKET	1		
15	M805834	GASKET	1		(SUB FOR M87859)
16	M805835	GASKET	1		(SUB FOR M87860)
17	CH10085	PACKING	2		
18	M805836	GASKET	1		(SUB FOR M801119)
19	M806438	WASHER	2		(SUB FOR CH15385)
20	CH10568	PACKING	3		
21	M801034	O-RING	1		
..	AM878208	GASKET KIT	1	X	(SUB FOR AM877678)
..	AM878209	GASKET KIT	1	X	(SUB FOR AM877297)

# 1C7

MP6793

-UN-01JAN94

## BLOCK GASKET KIT



BLOCK GASKET KIT (CONTINUED)

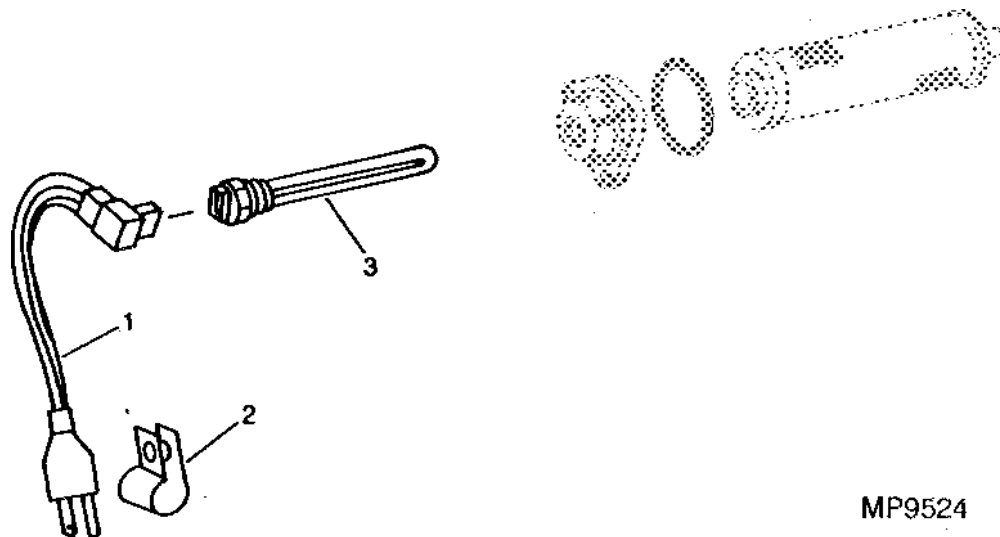
KEY	PART NO.	PART NAME	QTY	SERIAL NO.	REMARKS
				1	
				8 9 0	
				7 7 7	
				0 0 0	
1	M64850	SEALANT	1		(SUB FOR M801204)
2	M805711	PACKING	1		
3	M805278	SEAL	1		(SUB FOR M801203)
4	M800988	SEAL	1		
5	M805696	GASKET	3		(SUB FOR CH12816)
6	M801005	GASKET	1		OIL PUMP
7	M805829	GASKET	1		STRAINER, (SUB FOR M800999)
8	M805830	GASKET	1		BRACKET, (SUB FOR M801001)
9	M89151	O-RING	2		
10	CH16940	O-RING	1		
11	M801314	GASKET	1		
12	.....	PACKING	1		GOVERNOR (ORDER GASKET KIT)
13	M801321	PACKING	1		COVER
14	M87861	O-RING	3		
15	T110750	SEAL	1		
16	.....	GASKET	1		(ORDER GASKET KIT)
17	CH10554	PACKING	6		
18	CH10555	PACKING	2	X X	
19	CH10570	PACKING	3		
20	CH11564	PACKING	1		
21	CH10571	PACKING	1		
22	M806424	WASHER	2		
23	M806438	WASHER	2		(SUB FOR CH15385)
24	CH16727	WASHER	1		
..	AM876352	GASKET KIT	1	X	
..	AM878207	GASKET KIT	1	X X	(SUB FOR AM877295)

# 1C9

ENGINE

MP9524 -UN-01JAN94

## TRANSMISSION OIL HEATER



MP9524

KEY	PART NO.	PART NAME	QTY	TRACTOR SERIAL NO.	REMARKS
1	AR95434	WIRE	1		
2	R34557	CLAMP	1		
3	AR94493	HEATER	1		
..	AR99784	KIT	1		(NO LONGER AVAILABLE) (ORDER COMPONENT PARTS)
..	R44302	TIE BAND	2		



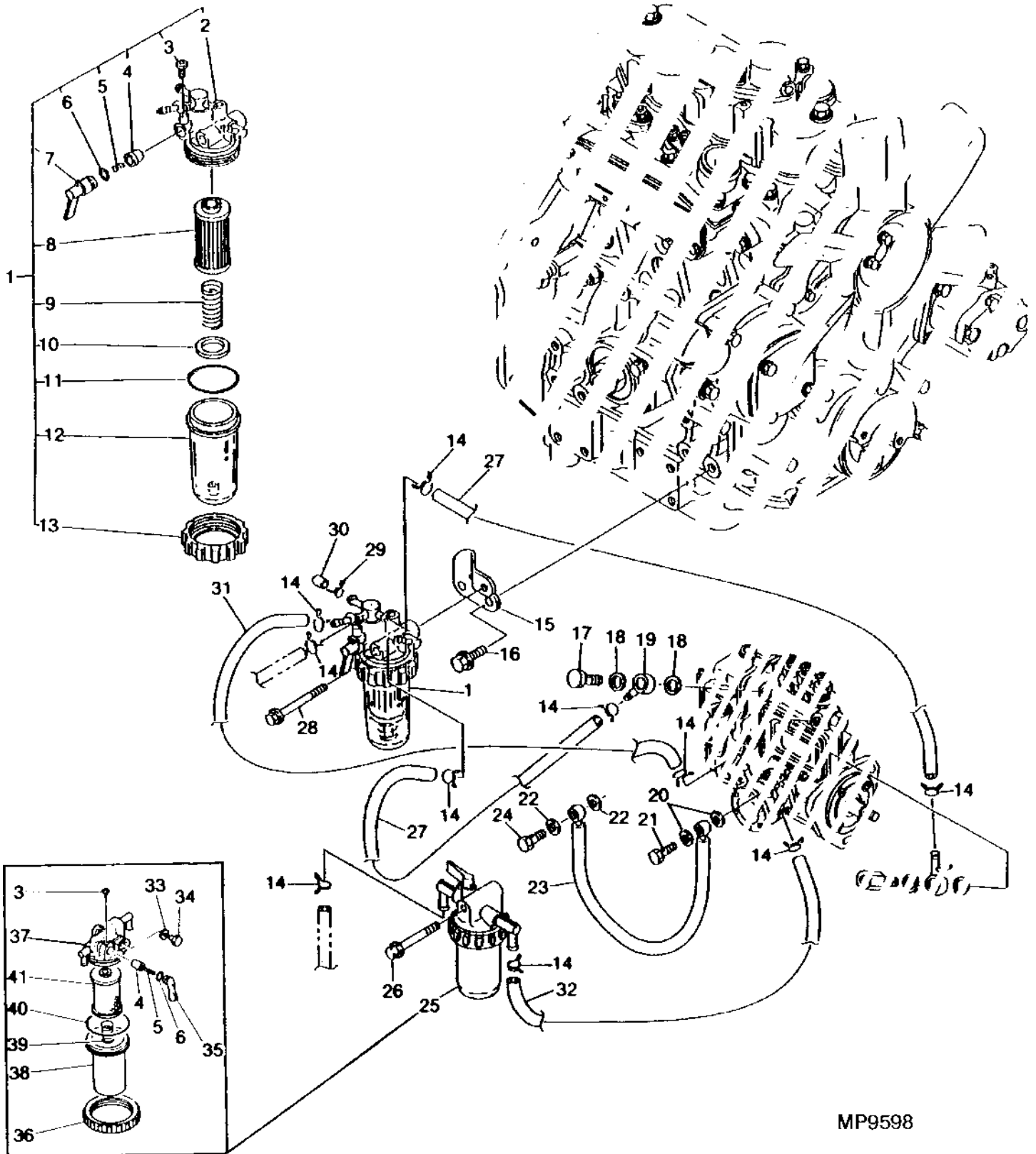
---

MEMORANDA

# 1C11

MP9598 -UN-02JAN94

## FUEL FILTER AND LINES



# 1C12

FUEL AND AIR

## FUEL FILTER AND LINES (CONTINUED)

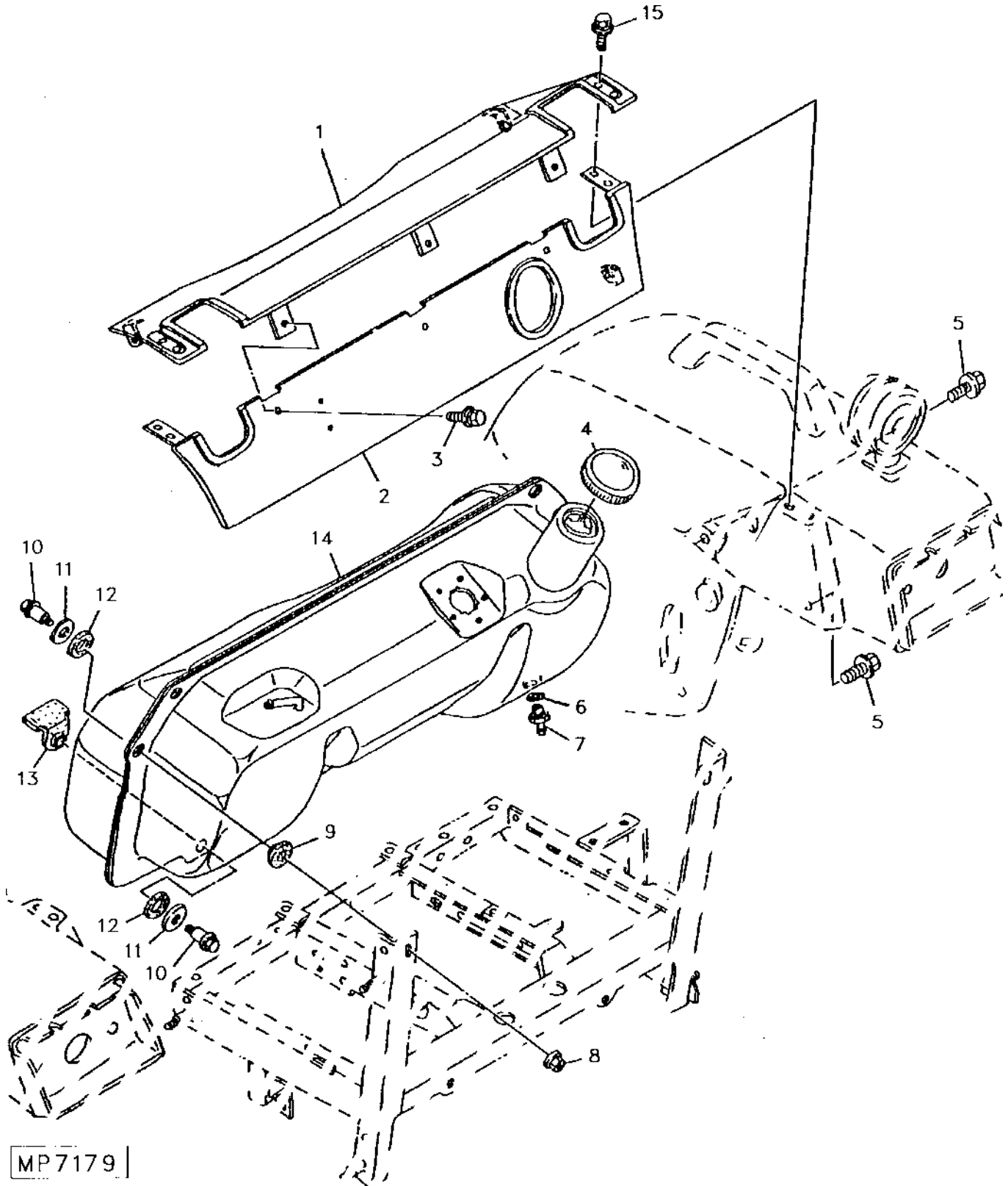
KEY	PART NO.	PART NAME	QTY	SERIAL NO.	REMARKS
				1 8 9 0 7 7 7 0 0 0	
1	AT110626	STRAINER	1		
2	.....	HOUSING	1		(ORDER AT110626)
3	CH10084	SCREW	1		
4	CH12734	VALVE	1		
5	CH10082	SPRING	1		
6	CH10571	PACKING	2		
7	T111380	HANDLE	1		
8	T111383	FILTER ELEMENT	1		
9	T111384	SPRING	1		
10	CH10570	PACKING	1		
11	CH17154	PACKING	1		
12	T111381	OIL CUP	1		
13	T111382	RING	1		
14	AR48236	CLAMP	14		
15	M804400	BRACKET	1	X	
16	19M7493	CAP SCREW	1	X	M12 X 40 (HS, HEAD MARKED 10.9)
17	M801108	FITTING	1		
18	CH10085	PACKING	2		
19	CH17960	FITTING	1		
20	CH10554	PACKING	2		
21	CH15501	BOLT	1		
22	CH10555	PACKING	2		
23	AM875540	FUEL LINE	1	X	
	AM875396	FUEL LINE	1	X X	
24	CH10361	BOLT	1		
25	AM877961	SEPARATOR	1		WATER, (SUB FOR M804399)
26	19M7801	SCREW	1		M8 X 60 (HS, HEAD MARKED 10.9)
27	M802694	FUEL LINE	4		
28	CH19099	BOLT	1		
29	CH10323	RETAINER	1		
30	M801111	CAP	1		
31	.....	HOSE	1		(MAKE FROM M88753) (SUB FOR M802695)
32	.....	HOSE	1		(MAKE FROM M88753)
33	CH10558	PACKING	1		
34	CH10059	PLUG	1		
35	T111380	HANDLE	1		
36	CH10106	RING	1		
37	.....	HOUSING	1		(ORDER AM877961)
38	CH15552	BOWL	1		
39	CH16888	SPRING	1		
40	CH10060	PACKING	1		
41	T111005	SCREEN	1		

# 1C13

MP7179

-UN-02JAN94

## FUEL TANK



MP7179

# 1C14

FUEL AND AIR

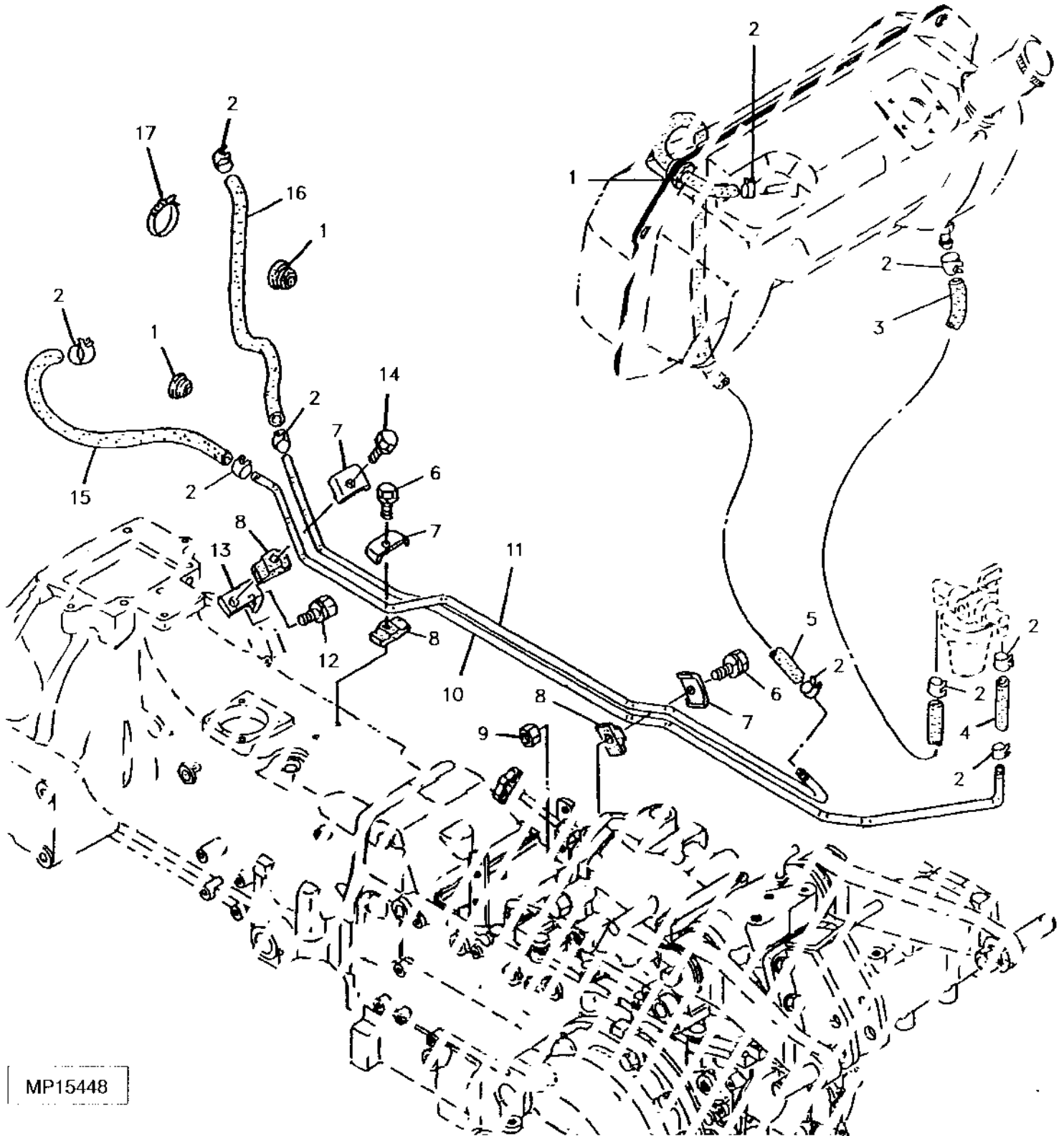
## FUEL TANK (CONTINUED)

KEY	PART NO.	PART NAME	QTY	SERIAL NO.	REMARKS
				1 8 9 0 7 7 7 0 0 0	
1	AM877097	COVER	1	X X	
	AM877096	COVER	1	X	
2	AM877098	COVER	1	X X	
	AM877099	COVER	1	X	
3	19M8425	CAP SCREW	1		M6 X 16 (HS, HEAD MARKED 10.9)
	12M7006	LOCK WASHER	1		6.100 MM
	24M7054	WASHER	1		6.400 X 12 X 1.600 MM
4	AT20911	FILLER CAP	1		
5	19M7162	CAP SCREW	4		M8 X 16
	24M7095	WASHER	4		8.400 X 15 X 1.600 MM
6	CH17159	PACKING	1		
7	M805814	FITTING	1		(SUB FOR M802750)
8	14M7273	NUT	2		M8
	12M7065	LOCK WASHER	2		8.100 MM
	24M7055	WASHER	2		8.400 X 16 X 1.600 MM
9	M802754	ISOLATOR	2		
10	M802756	BOLT	4		
11	M803458	WASHER	4		
12	M802755	ISOLATOR	4		
13	M802757	ISOLATOR	2		
14	AM877094	FUEL TANK	1	X X	
	AM877095	FUEL TANK	1	X	
15	19M7881	SCREW	4		M8 X 20 (HS, HEAD MARKED 10.9)

# 1C15

MP15448 -UN-22MAR96

## FUEL LINE AND HOSES



MP15448

# 1C16

FUEL AND AIR

## FUEL LINE AND HOSES (CONTINUED)

KEY	PART NO.	PART NAME	QTY	SERIAL NO.	REMARKS
				1	
				8 9 0	
				7 7 7	
				0 0 0	
1	CH17296	GROMMET	3		
2	AR48236	CLAMP	10		
3	M804046	FUEL LINE	1		
4	M804046	FUEL LINE	1		
5	M804047	FUEL LINE	1		
6	19M7163	CAP SCREW	2		M8 X 25
	12M7065	LOCK WASHER	2		8.100 MM
7	M804052	CHANNEL	3		
8	M805132	BASE	3		
9	14M7273	NUT	1		M8
10	M804044	FUEL LINE	1		
11	M804043	FUEL LINE	1		
12	19M7162	CAP SCREW	1		M8 X 16
	12M7065	LOCK WASHER	1		8.100 MM
13	M804045	BRACKET	1		
14	19M7288	CAP SCREW	1		M8 X 30
	12M7065	LOCK WASHER	1		8.100 MM
15	M804048	FUEL LINE	1	X	
	M804049	FUEL LINE	1	X X	
16	M804050	FUEL LINE	1	X	
	M804051	FUEL LINE	1	X X	
17	R44302	TIE BAND	2	X	

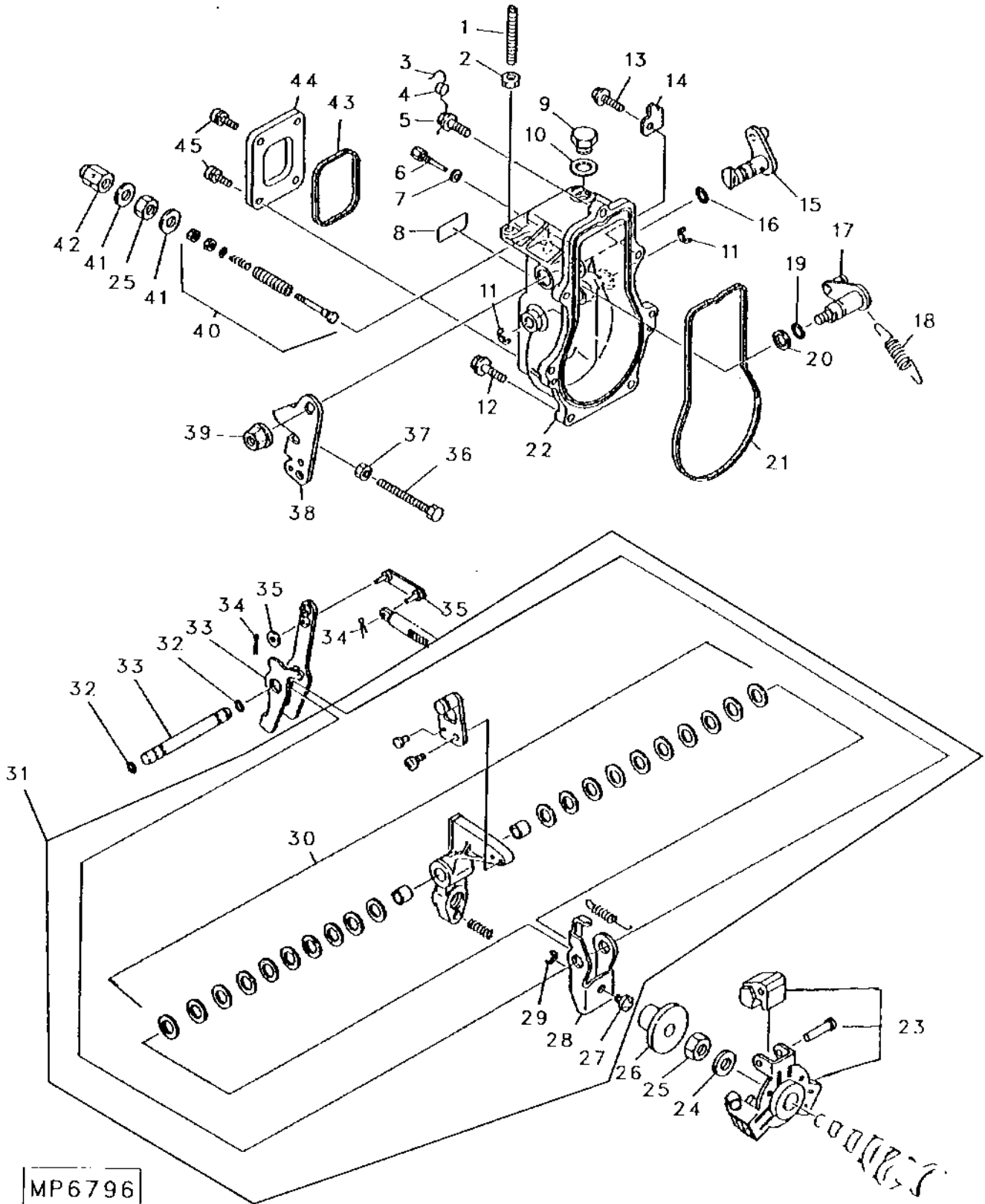
NOTE: SEE SECTION 92 FOR 1070 CREEPER VERSION

# 1C17

MP6796

-UN-01JAN94

## GOVERNOR ASSEMBLY



MP6796



# 1C18

FUEL AND AIR

## GOVERNOR ASSEMBLY (CONTINUED)

KEY	PART NO.	PART NAME	QTY	SERIAL NO.	REMARKS
				1	
				8 9 0	
				7 7 7	
				0 0 0	
1	M801335	BOLT	1		
2	CH10484	NUT	1		
3	.....	WIRE	1		(A)
4	.....	SEAL	1		(A) (LEAD)
5	M801348	BOLT	1		
6	.....	PIN	1		(A)
7	.....	O-RING	1		(A)
8	.....	LABEL	1		(A)
9	CH10561	PLUG	1		
10	T110750	SEAL	1		
11	CH11489	RING	2		
12	M87820	BOLT	5		
13	M87869	BOLT	1		
14	M802729	SUPPORT	1		
15	.....	LEVER	1		(A) STOP
16	CH10571	PACKING	1		
17	.....	SHAFT	1		(A) CONTROL
18	.....	SPRING	1		(A) GOVERNOR
19	.....	O-RING	1		(A)
20	.....	SPACER	1		(A)
21	.....	SEAL	1		(A)
22	.....	HOUSING	1		(A)
23	.....	WEIGHT	1		(A) GOVERNOR
24	.....	WASHER	1		(A)
25	CH13545	NUT	2		
26	.....	BUSHING	1		(A)
27	.....	SHIFTER	1		(A)
28	.....	LEVER	1		(A)
29	CH13497	SNAP RING	1		
30	.....	SHIM	2		(A)
31	.....	LEVER	1		(A) GOVERNOR
32	M89151	O-RING	2		
33	.....	SHAFT	1		(A) LEVER
34	M89162	PIN	2		
35	M800099	WASHER	1		
36	M802722	BOLT	1		
37	14M7194	NUT	1		M6
38	M801330	CONTROL LEVER	1	X	
	M804404	CONTROL LEVER	1	X X	
39	14M7298	FLANGE NUT	1		M8
40	AM876432	RESTRICTOR	1		
41	M806438	WASHER	2		(SUB FOR CH15385)
42	M800103	NUT	1		
43	M801321	PACKING	1		
44	M801320	COVER	1		CASE
45	21M7278	SCREW	1		M5 X 10
	12M7064	LOCK WASHER	1		5.100 MM

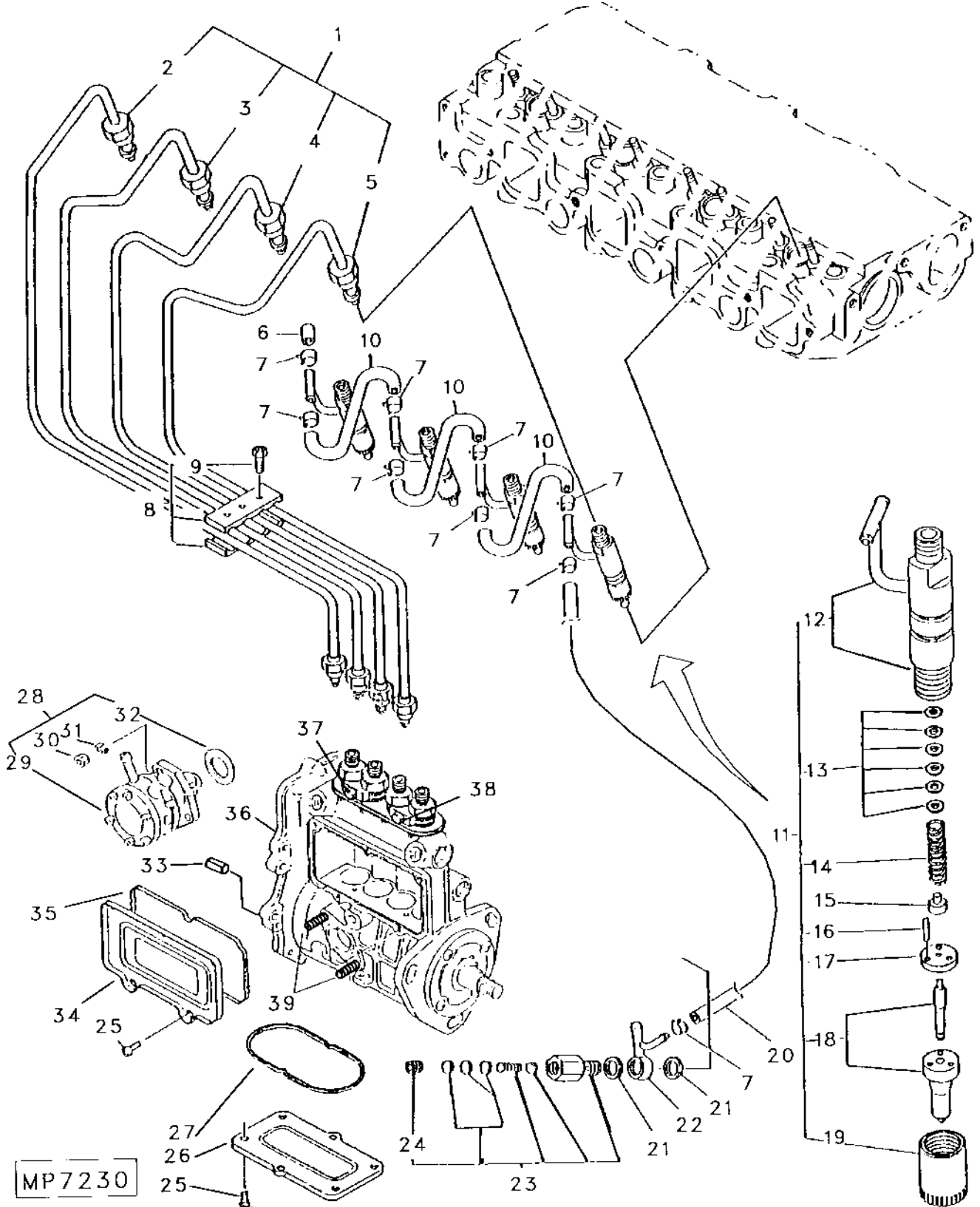
(A) ORDER COMPLETE FUEL INJECTION PUMP AND GOVERNOR  
 870: AM877298  
 970: AM877305  
 1070: AM877302

# 1C19

MP7230

-UN-02JAN94

## FUEL INJECTION PUMP, NOZZLES AND LINES



FUEL INJECTION PUMP, NOZZLES AND LINES (CONTINUED)

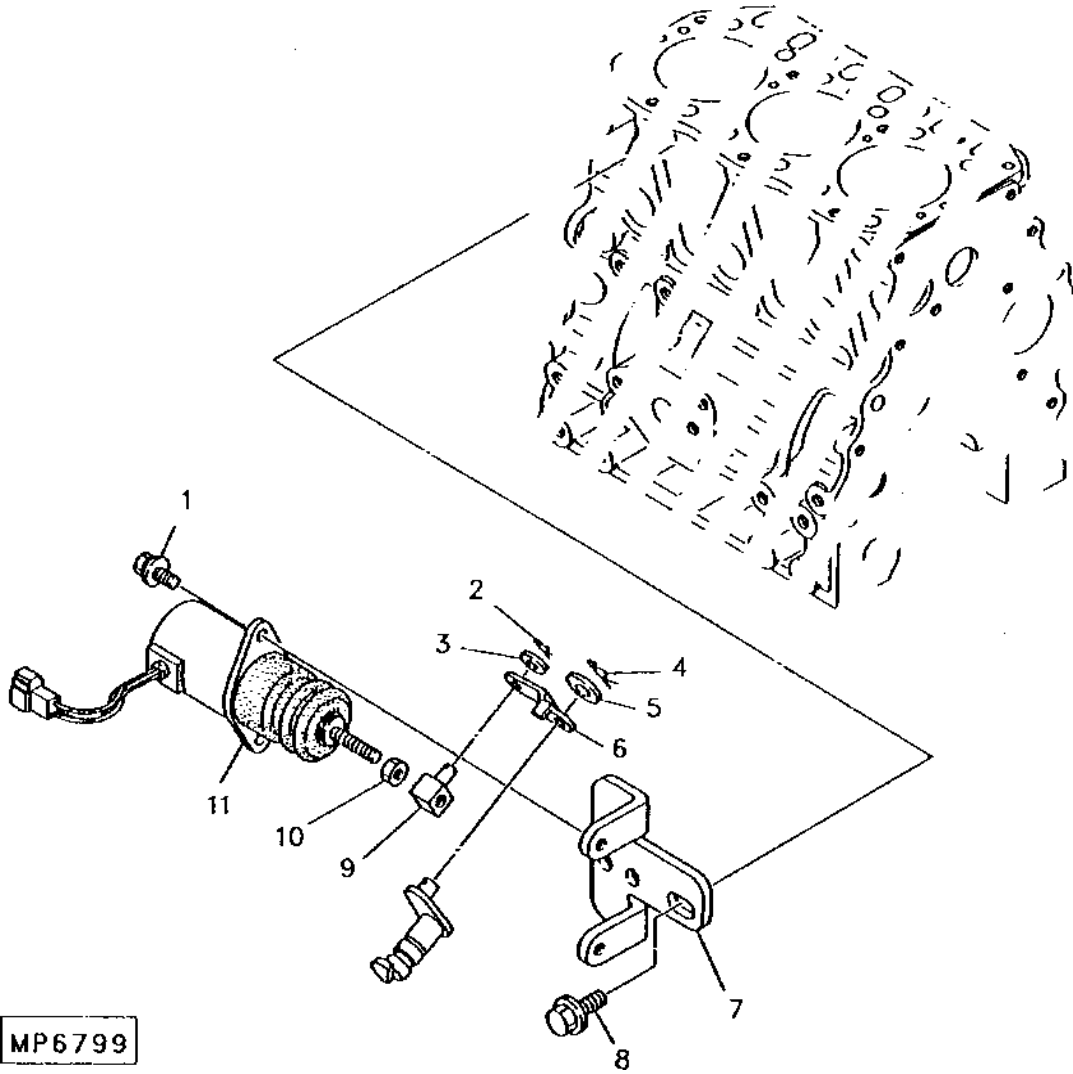
KEY	PART NO.	PART NAME	QTY	SERIAL NO.	1		REMARKS
					8	9	
					0	0	
					7	7	
					0	0	
1	AM876345	FUEL LINE	1		X		
	AM876242	FUEL LINE	1			X X	
2	AM876346	FUEL LINE	1		X		FUEL INJECTION (NO.1)
	AM875414	FUEL LINE	1		X X		FUEL INJECTION (NO.1)
3	AM876347	FUEL LINE	1		X		FUEL INJECTION (NO.2)
	M801355	FUEL LINE	1		X X		FUEL INJECTION (NO.2)
4	AM876348	FUEL LINE	1		X		FUEL INJECTION (NO.3)
	M801356	FUEL LINE	1		X X		FUEL INJECTION (NO.3)
5	M801357	FUEL LINE	1		X X		FUEL INJECTION (NO.4)
6	M801111	CAP	1				
7	CH10323	RETAINER	AR				
8	AM100752	CLAMP	1		X		
	AM875413	CLAMP	1		X X		
9	M87907	BOLT	2				
10	.....	HOSE	AR				(MAKE FROM M88201)
11	AM875411	NOZZLE	AR		X		
	AT110293	NOZZLE	AR		X X		
12	AM875330	NOZZLE HOLDER	AR				
13	AM875069	SHIM	AR				
14	M801096	SPRING	AR				HOLDER
15	M800212	RETAINER	AR				SPRING
16	M801098	PIN	AR				
17	M801097	VALVE SEAT INSERT	AR				
18	T110741	VALVE	AR				WITH CASE
19	M801093	NUT	AR				VALVE
20	T114157	PIPE	1				FUEL RETURN
21	M806438	WASHER	2				(SUB FOR CH15385)
22	T114158	CONNECTOR	1				OVER FLOW
23	M801112	VALVE	1				
24	M800002	PLUG	1				
25	21M7278	SCREW	11		X X		M5 X 10
	12M7064	LOCK WASHER	11		X X		5.100 MM
	T111377	SCREW	4		X		
26	M801306	COVER	1		X X		LOWER
	M801770	COVER	1		X		
27	M801307	GASKET	1		X X		
	M801771	GASKET	1		X		
28	AM877300	PUMP	1				
29	AM877282	FUEL PUMP	1				
30	14M7272	NUT	2				M6
31	12M7006	LOCK WASHER	2				6.100 MM
32	M801314	GASKET	1				
33	34M7117	SPRING PIN	2				5 X 10 MM, (SUB FOR CH11499)
34	M801308	COVER	1		X X		SIDE
	M801772	COVER	1		X		
35	M801309	GASKET	1		X X		
	M801773	GASKET	1		X		
36	AM877302	FUEL INJECTION PUMP	1			X	
	AM877305	FUEL INJECTION PUMP	1			X	
	AM877298	FUEL INJECTION PUMP	1		X		
37	M801289	STOP	2		X X		
	M801290	STOP	2		X X		
38	M800794	BOLT	2		X X		
	12M7064	LOCK WASHER	2		X X		5.100 MM
39	M802635	STUD	2				

# 1C21

MP6799

-UN-01JAN94

## SOLENOID (870)



MP6799

# 1C22

FUEL AND AIR

## SOLENOID (870)

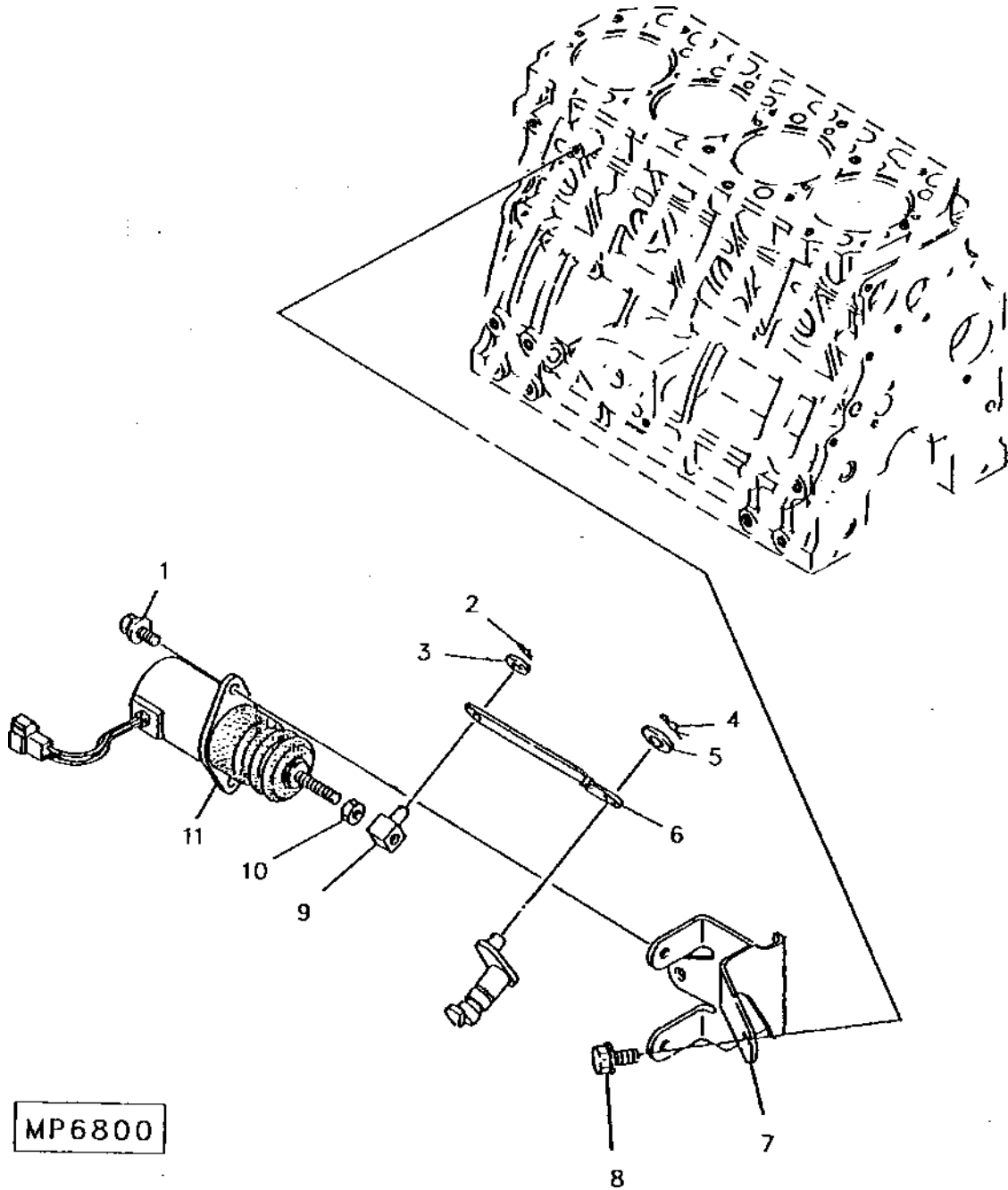
KEY	PART NO.	PART NAME	QTY	SERIAL NO.	REMARKS
1	19M7300	CAP SCREW	2		
2	CH10542	PIN	1		
3	24M7088	WASHER	1		6.600 X 12 X 1.600 MM, (SUB FOR CH10522)
4	CH11524	PIN	1		
5	24M7095	WASHER	1		8.400 X 15 X 1.600 MM
6	M802641	LINK	1		
7	M801822	BRACKET	1		
8	19M7865	SCREW	2		M8 X 16 (HS, HEAD MARKED 10.9)
9	M88832	PIN	1		
10	14M7194	NUT	1		M6
11	AM876416	SOLENOID	1		

# 1C23

MP6800

-UN-01JAN94

SOLENOID (970/1070)



MP6800

# 1C24

FUEL AND AIR

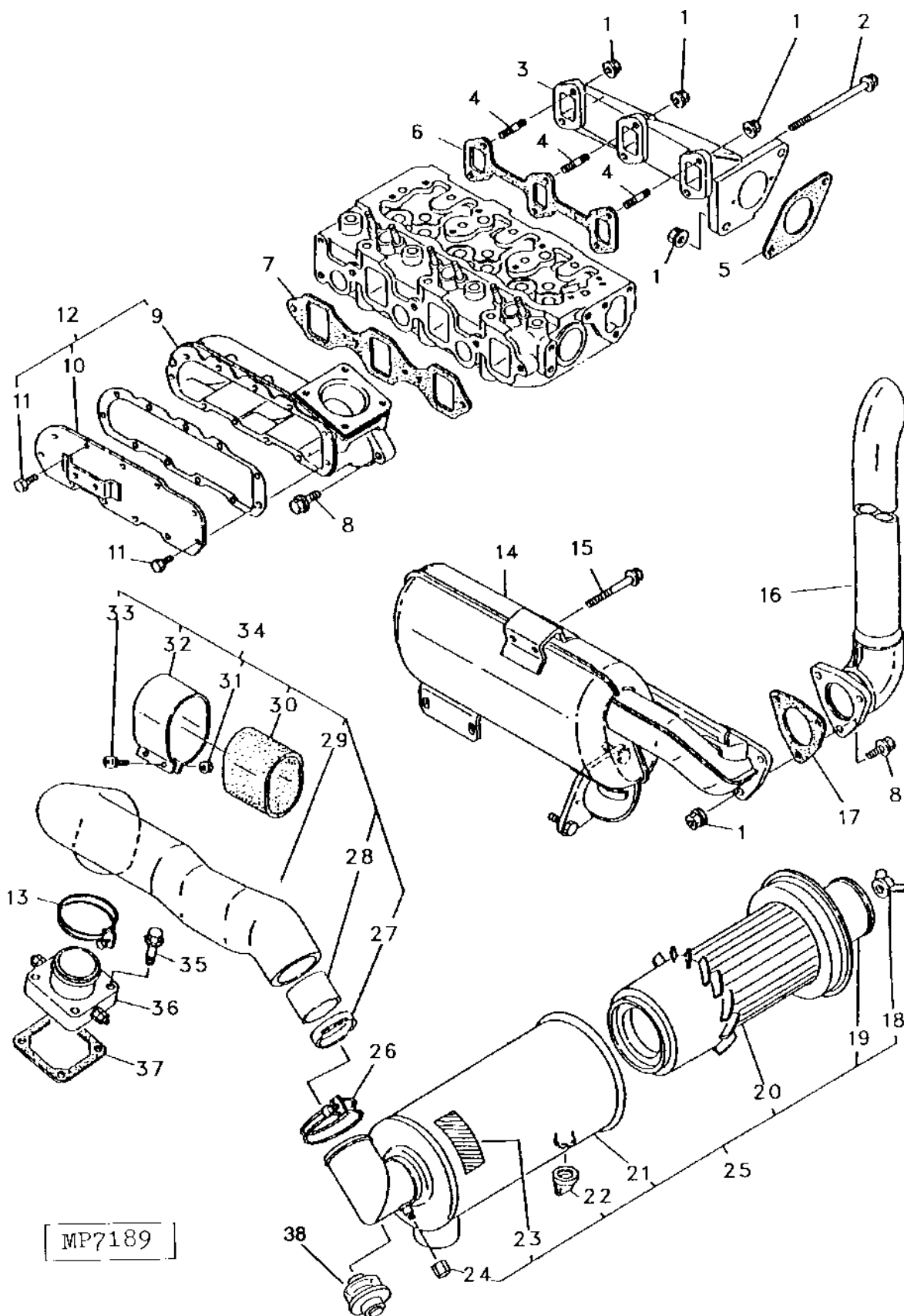
## SOLENOID 970/1070 (CONTINUED)

KEY	PART NO.	PART NAME	QTY	SERIAL NO.	REMARKS
1	19M7300	CAP SCREW	2	M6 X 10	
2	CH10542	PIN	1	(K)	
3	24M7088	WASHER	1	(K) 6.600 X 12 X 1.600 MM, (SUB FOR CH10522)	
4	CH11524	PIN	1	(K)	
5	24M7095	WASHER	1	(K) 8.400 X 15 X 1.600 MM	
6	M804405	LINK	1		
7	M804406	BRACKET	1		
8	CH19780	BOLT	2		
9	.....	PIN	1	(K) (ORDER AM875578)	
10	14M7194	NUT	1	M6	
11	AM876416	SOLENOID	1		
..	AM875578	LINK	1	(INCLUDES PARTS MARKED (K))	

# 1D1

MP7189 -UN-02JAN94

## EXHAUST MANIFOLD, AIR CLEANER, AND MUFFLER (870)



MP7189



## EXHAUST MANIFOLD, AIR CLEANER AND MUFFLER (870) (CONTINUED)

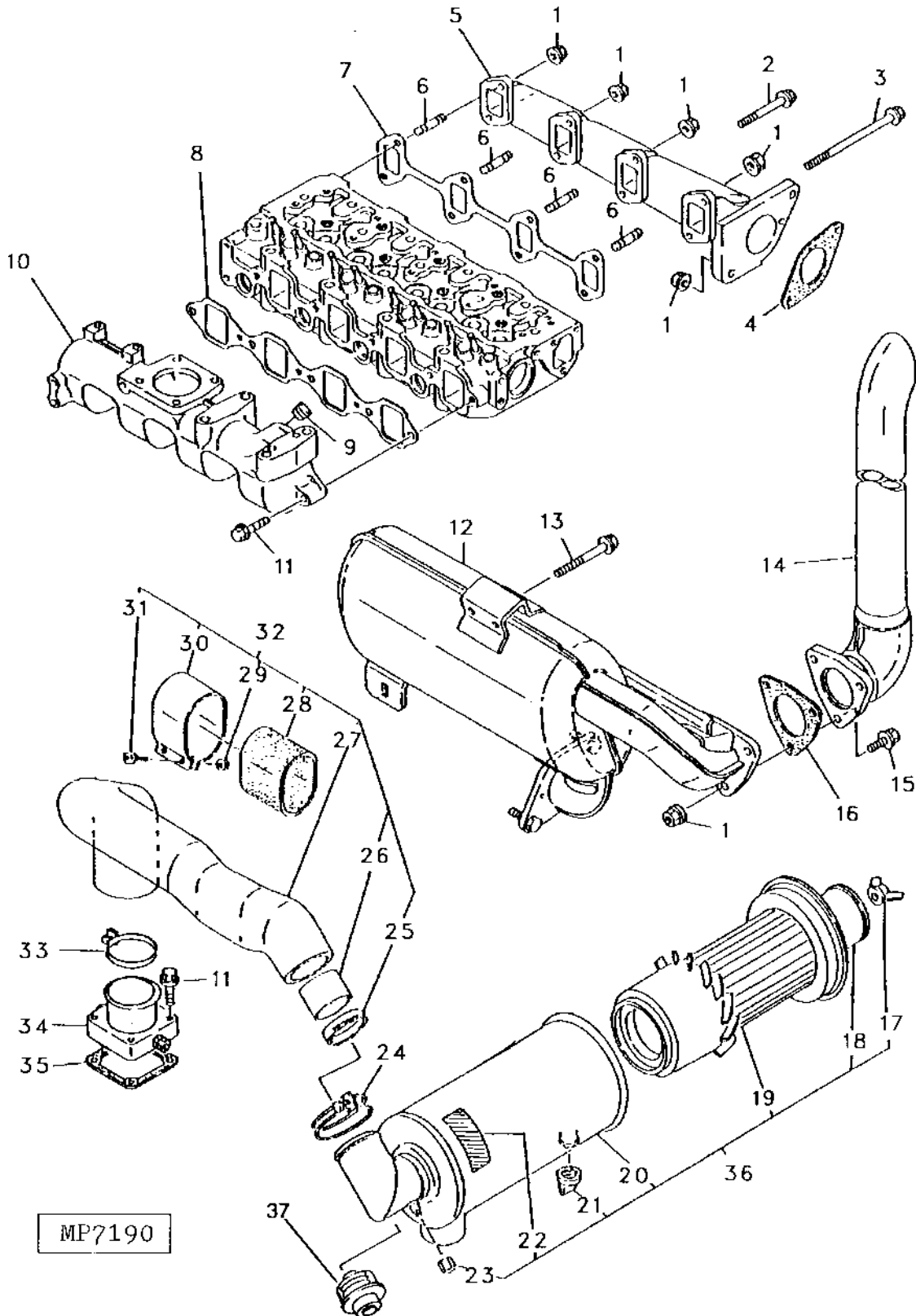
KEY	PART NO.	PART NAME	QTY	SERIAL NO.	REMARKS
1	14M7273	NUT	8	M8	
	12M7065	LOCK WASHER	8	8.100 MM	
2	CH20073	BOLT	1		
3	M802612	EXHAUST MANIFOLD	1		
4	CH16781	STUD	3		
5	M802662	GASKET	1		
6	M801746	GASKET	1	EXHAUST MANIFOLD	
7	M805833	GASKET	1	INTAKE MANIFOLD, (SUB FOR M801744)	
8	19M7867	SCREW	4	M8 X 25 (HS, HEAD MARKED 10.9)	
9	.....	INTAKE MANIFOLD	1	(ORDER AM876334)	
10	M802609	PLATE	1	MANIFOLD	
11	M802610	BOLT	12		
12	AM876334	INTAKE MANIFOLD	1		
13	AR21840	CLAMP	1		
14	M804350	MUFFLER	1	UNLOADER	
15	CH19091	BOLT	2		
16	M805975	EXHAUST PIPE	1	(RAIN PROOF) (SUB FOR M804352)	
17	M802664	GASKET	1	EXTENSION	
18	AH20849	WING NUT	1	(SUB FOR CH16055)	
19	CH12881	FILTER ELEMENT	1		
20	M802606	FILTER ELEMENT	1		
21	M804349	HOUSING	1	AIR CLEANER	
22	CH12882	VALVE	1		
23	M88198	LABEL	1	IMPORTANT	
24	CH16778	THREADED NIPPLE	1		
25	.....	AIR CLEANER	1	(ORDER COMPONENTS)	
26	AR21999	CLAMP	1		
27	.....	SUPPORT	1	(NEVER USED)	
28	.....	PIPE	1	INNER (NEVER USED)	
29	.....	HOSE	1	(ORDER AM877265)	
30	.....	ISOLATOR	1	INNER (NEVER USED)	
31	14M7030	NUT	2	M3, (SUB FOR M803868)	
32	M804346	HOSE GUARD	1	OUTER	
33	CH12353	SCREW	2	(NO LONGER AVAILABLE)	
34	AM877265	HOSE	1		
35	19M7817	SCREW	4	M12 X 70 (HS, HEAD MARKED 10.9)	
36	M801118	HEATER	1	INTAKE AIR	
37	M805836	GASKET	1	HEATER, (SUB FOR M801119)	
38	AT118553	AIR RESTRICTION INDICATOR	1		

# 1D3

MP7190

-UN-02JAN94

## EXHAUST MANIFOLD, AIR CLEANER AND MUFFLER (970/1070)



MP7190

## EXHAUST MANIFOLD, AIR CLEANER AND MUFFLER (970/1070) (CONTINUED)

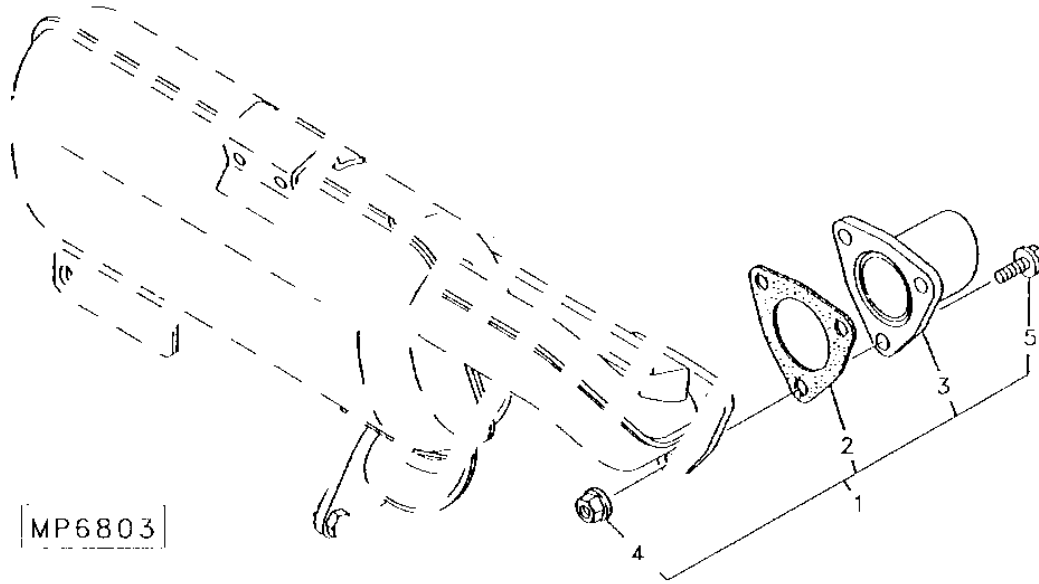
KEY	PART NO.	PART NAME	QTY	SERIAL NO.	REMARKS
1	14M7273	NUT	9	M8	
	12M7065	LOCK WASHER	9	8.100 MM	
2	19M7801	SCREW	2	M8 X 60 (HS, HEAD MARKED 10.9)	
3	CH20073	BOLT	1		
4	M802662	GASKET	1		
5	M804353	EXHAUST MANIFOLD	1		
6	CH16781	STUD	4		
7	M801235	GASKET	1	EXHAUST MANIFOLD	
8	M805851	GASKET	1	INTAKE MANIFOLD, (SUB FOR M801233)	
9	CH15002	PLUG	1		
10	AM875882	INTAKE MANIFOLD	1	(SUB FOR M801232)	
11	19M7897	SCREW	5	M8 X 35 (HS, HEAD MARKED 10.9)	
12	M805976	MUFFLER	1	(SUB FOR M804351)	
13	CH19099	BOLT	1		
14	M805975	EXHAUST PIPE	1	(RAIN PROOF) (SUB FOR M804352)	
15	19M7867	SCREW	3	M8 X 25 (HS, HEAD MARKED 10.9)	
16	M802664	GASKET	1		
17	AH20849	WING NUT	2		
18	CH12881	FILTER ELEMENT	1		
19	M802606	FILTER ELEMENT	1		
20	M804349	HOUSING	1		
21	CH12882	VALVE	1		
22	M88198	LABEL	1	IMPORTANT	
23	CH16778	THREADED NIPPLE	1		
24	AR21999	CLAMP	1		
25	.....	SUPPORT	1	(NEVER USED)	
26	.....	PIPE	1	(NEVER USED)	
27	.....	HOSE	1	(ORDER AM877266)	
28	.....	ISOLATOR	1	(NEVER USED)	
29	14M7030	NUT	2	M3	
30	M804346	HOSE GUARD	1		
31	M803867	SCREW, WITH WASHER	2		
32	AM877266	HOSE	1		
33	AR21840	CLAMP	1		
34	M801118	HEATER	1		
35	M805836	GASKET	1	(SUB FOR M801119)	
36	.....	AIR CLEANER	1	(ORDER COMPONENTS)	
37	AT118553	AIR RESTRICTION INDICATOR	1	PROGRESSIVE, NARROW (DONALDSON RBX00-2277)	
	AT73678	AIR RESTRICTION INDICATOR	1	PROGRESSIVE (ENGINEERED PRODUCTS 1875-325)	

# 1D5

FUEL AND AIR

MP6803 -UN-01JAN94

## EXHAUST EXTENSION ASSEMBLY



KEY	PART NO.	PART NAME	QTY	SERIAL NO.	REMARKS
1	.....	EXTENSION	1		EXHAUST (ORDER COMPONENTS)
2	M802664	GASKET	1		EXTENSION
3	M92715	EXHAUST PIPE	1		
4	14M7273	NUT	3	M8	
	12M7065	LOCK WASHER	3	8.100 MM	
5	19M7867	SCREW	3	M8 X 25 (HS, HEAD MARKED 10.9)	

---

MEMORANDA

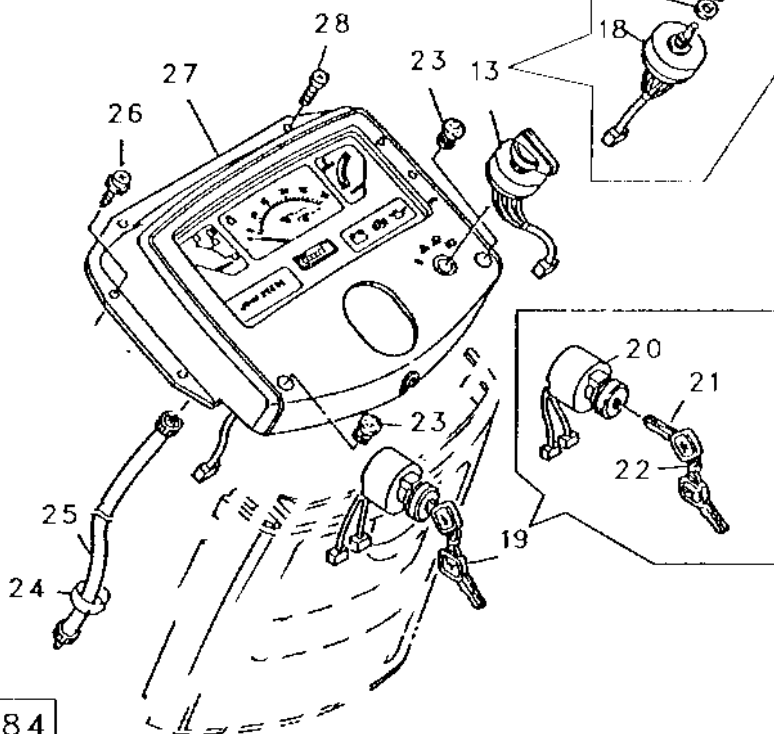
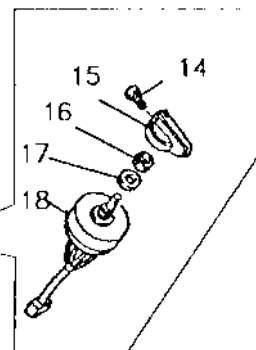
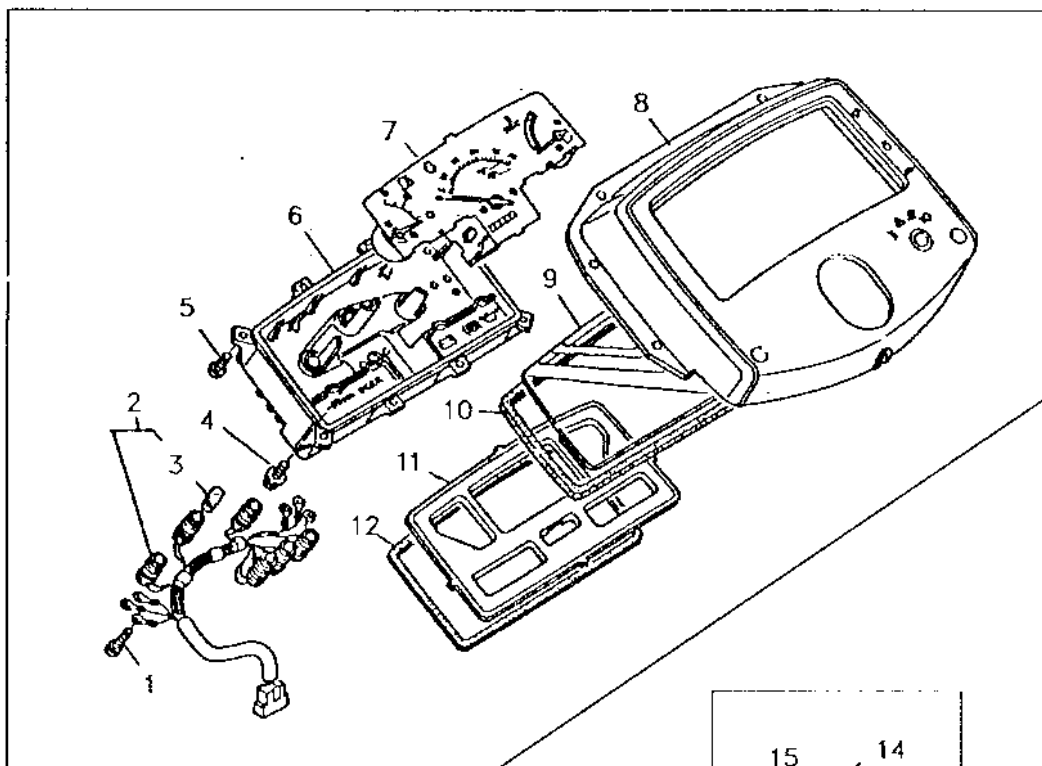
# 1D8

ELECTRICAL

MP6884

-UN-01JAN94

## INSTRUMENT PANEL



MP6884

# 1D9

ELECTRICAL

## INSTRUMENT PANEL (CONTINUED)

KEY	PART NO.	PART NAME	QTY	SERIAL NO.	REMARKS
1	M803808	SCREW	6		
2	M803804	WIRING HARNESS	1		
3	M803807	BULB	6		
4	M803818	SCREW, WITH WASHER	2		
5	M803335	SCREW	8		
6	M803806	CASE	1		
7	M803799	GAUGE	1		
8	M803800	PANEL	1		
9	M803802	WINDOW	1		
10	M803801	SEAL	1		
11	M803805	REFLECTOR	1		
12	M803803	SEAL	1		
13	AM876786	SWITCH	1		LIGHT (COMPLETE)
14	M803325	SCREW	1		
15	M803323	KNOB	1		
16	.....	NUT	1		(ORDER AM876786)
17	.....	WASHER	1		(ORDER AM876786)
18	.....	SWITCH	1		(ORDER AM876786)
19	AM876787	SWITCH	1		STARTER (INCLUDES KEYS)
20	.....	SWITCH	1		(ORDER AM876787)
21	M803322	KEY	2		
22	CH12207	RING	1		
23	M804308	PLUG	2		
24	M804277	CLAMP	1		
25	M804288	CABLE	1		TACHOMETER, (SUB FOR AM877196)
26	M805121	SCREW	4		
27	AM876790	INSTRUMENT PANEL	1		
28	M805122	SCREW	2		

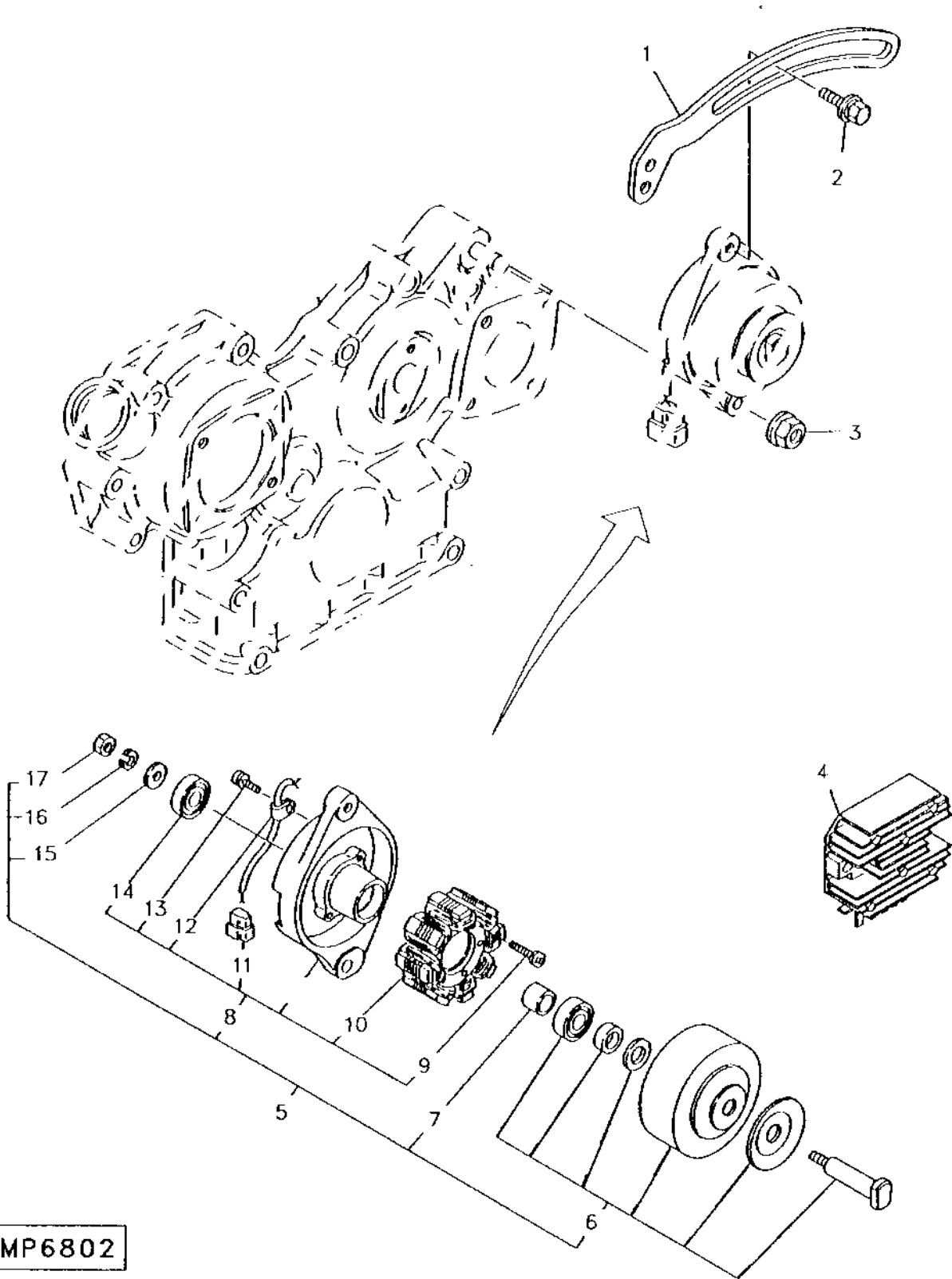
# 1D10

ELECTRICAL

MP6802

-UN-01JAN94

## ALTERNATOR AND VOLTAGE REGULATOR



MP6802



# 1D11

ELECTRICAL

## ALTERNATOR AND VOLTAGE REGULATOR (CONTINUED)

KEY	PART NO.	PART NAME	QTY	SERIAL NO.	REMARKS
1	M805674	ADJUSTER	1	BELT	
2	19M7163	CAP SCREW	1	M8 X 25	
	12M7065	LOCK WASHER	1	8.100 MM	
	24M7055	WASHER	1	8.400 X 16 X 1.600 MM	
3	M88031	NUT	1		
4	AM101406	VOLTAGE REGULATOR	1		
	AM877958	VOLTAGE REGULATOR	1	(K) HIGH CAPACITY (USE WITH AM877957 ALTERNATOR)	
5	AM877557	ALTERNATOR	1	SHOWN, (SUB FOR AM877050)	
	AM877957	ALTERNATOR	1	(K) (35 AMP) HIGH CAPACITY	
6	AM877051	ROTOR	1		
7	CH15987	LOCKING COLLAR	1		
8	AM877802	PLATE	1	(SUB FOR AM877055)	
9	M800122	SCREW	2		
10	M804969	STATOR	1	(SUB FOR M800114)	
11	M800121	RECEPTACLE	1		
12	CH15996	CLAMP	1		
13	M800119	SCREW	1		
14	M800123	BEARING	1		
15	CH15993	WASHER	1		
16	12M7066	LOCK WASHER	1	10.200 MM, (SUB FOR M800117)	
17	M800116	NUT	1		
..	M805471	WIRING HARNESS	1	(K) ALTERNATOR (35 AMP)	
..	M805472	WIRING HARNESS	1	(K) REGULATOR (35 AMP)	
..	M805473	WIRING HARNESS	1	(K) GROUND (35 AMP)	
..	AM107223	KIT	1	35 AMP ALTERNATOR (INCLUDES PARTS MARKED (K)) (FOR CONVERTING FROM 20 AMPS TO 35 AMPS)	

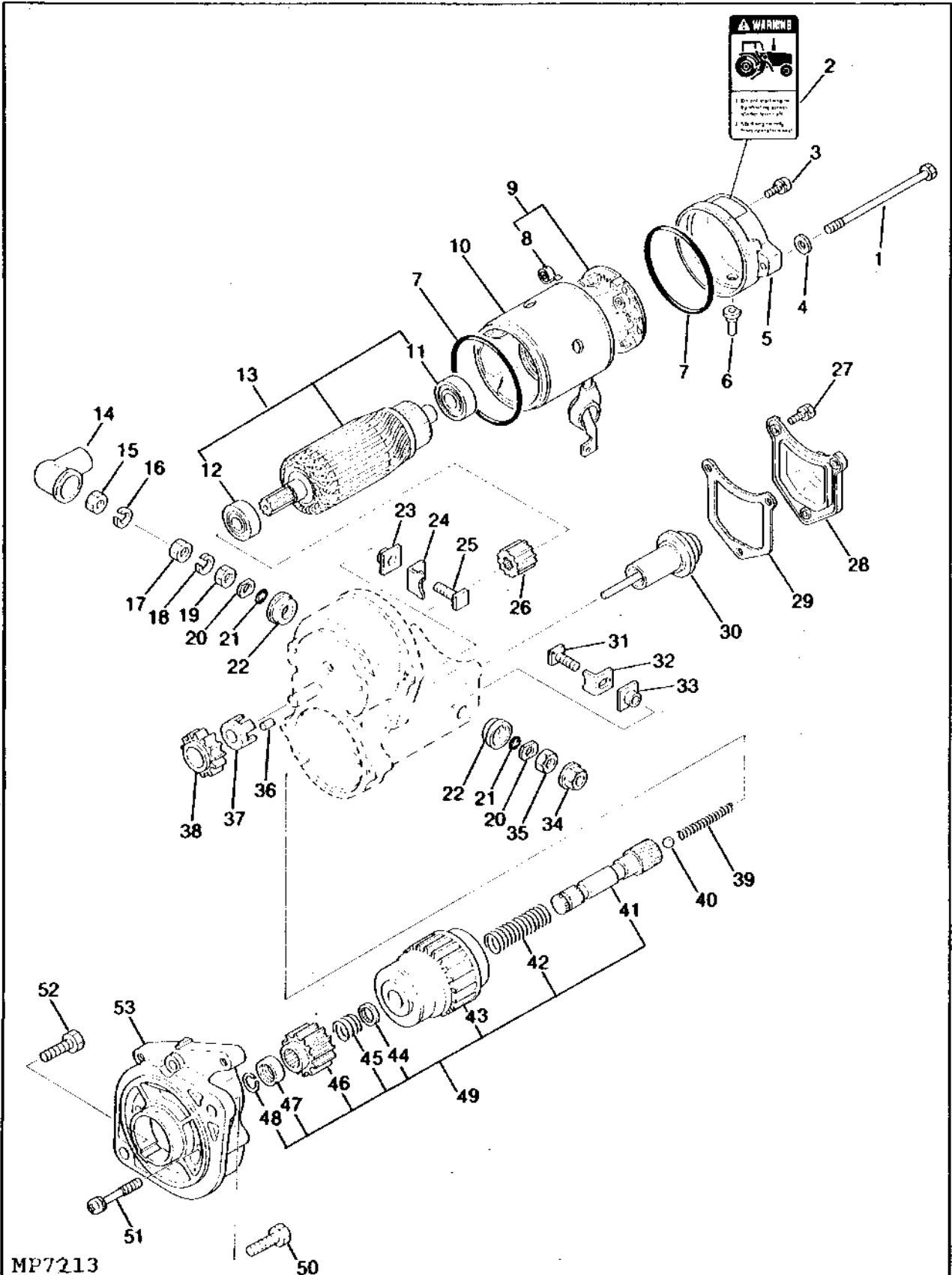
# 1D12

ELECTRICAL

STARTER (870 1.4 KW)(970, 1070)

MP7213

-UN-01JAN94



MP7213

THIS PARTS LISTING IS CONTINUED

# 1D13

ELECTRICAL

STARTER (870 1.4 KW)(970, 1070) - CONTINUED

KEY	PART NO.	PART NAME	QTY	TRACTOR SERIAL NO.			REMARKS
				8	9	0	
				1			
				8	9	0	
				7	7	7	
				0	0	0	
1	CH19563	BOLT	2		X		
	M804414	BOLT	2		X	X	
2	T146102	LABEL	1				(SUB FOR M802714, T84409 OR T134459)
	.....	LABEL	1				(EXPORT) (ORDER AM878005 DECAL KIT)
3	CH19567	SCREW	2				
4	CH12740	LOCK WASHER	2		X		
	M804412	PACKING	2		X	X	
5	CH19566	FRAME	1				
6	CH19565	COVER	1				
7	CH19564	O-RING	2		X		
	M804415	PACKING	2		X	X	
8	CH15977	SPRING	4				BRUSH
9	CH19561	HOLDER	1		X		BRUSH ASSEMBLY
	M804409	HOLDER	1		X	X	BRUSH ASSEMBLY
10	TY6715	STARTER	1		X		(SUB FOR CH19556)
	M804407	COMMUTATOR HOUSING	1		X	X	(SUB AM877284)
11	CH19557	BALL BEARING	1		X		
12	CH19558	BALL BEARING	1		X		
	M804408	BALL BEARING	1		X	X	
13	.....	ARMATURE	1		X		(ORDER AM878415) (SUB FOR CH19556 OR TY6715)
	AM877286	ARMATURE	1		X	X	
14	CH10486	COVER	1				
15	14M7273	NUT	1				M8, (SUB FOR CH12755)
16	CH12754	WASHER	1				
17	CH15867	NUT	2				
18	CH12754	WASHER	1				
19	CH15867	NUT	1				
20	CH15868	LOCK WASHER	2				(A) WAVE
21	CH15869	O-RING	2				(A)
22	CH15872	BUSHING	2				(A)
23	CH15873	BUSHING	1				(A)
24	CH15875	PLATE	1				(A) CONTACT
25	CH15877	BOLT	1				(A)
26	CH19559	PINION	1		X		
	CH12490	PINION	1		X	X	
27	CH19554	SCREW, WITH WASHER	3				(A)
28	CH15861	COVER	1				(A)
29	CH15864	GASKET	1				(A)
30	CH15865	PLUNGER	1				(A)
31	CH15881	BOLT	1				(A)
32	CH15879	PLATE	1				(A) CONTACT
33	CH15873	BUSHING	1				(A)
34	CH12752	NUT	1				
35	CH15867	NUT	1				(A)
36	CH12487	ROLLER	5				
37	CH12467	RETAINER	1				
38	CH12738	PINION	1				
39	CH12556	SPRING	1				
40	CH12554	BALL	1				
41	CH12696	SHAFT	1				
42	CH12697	SPRING	1				
43	CH18200	BENDIX DRIVE	1		X		(SUB CH18199)
44	CH12699	RETAINER	1				
45	CH12700	SPRING	1				COIL
46	CH12701	PINION	1				STARTER
47	CH12702	NUT	1				
48	CH12703	SNAP RING	1				
49	CH18199	BENDIX DRIVE	1				
50	19M8017	CAP SCREW	1				M12 X 20 (HS, HEAD MARKED 10.9)
51	CH15981	SCREW	2		X		
	M804413	SCREW	2		X	X	
52	M802704	BOLT	1				
53	CH19560	HOUSING	1		X		STARTER
	M804411	HOUSING	1		X	X	STARTER
54	.....	STARTER	1	-101976	X		(SUB TY6715) (SUB FOR CH19284)
	AM877284	STARTER	1		X	X	(INCLUDES M804410 SWITCH) (SUB FOR AM877285)
..	CH19562	SWITCH	1		X		MAGNETIC (INCLUDES PARTS MARKED (A))
..	M804410	SWITCH	1		X	X	MAGNETIC

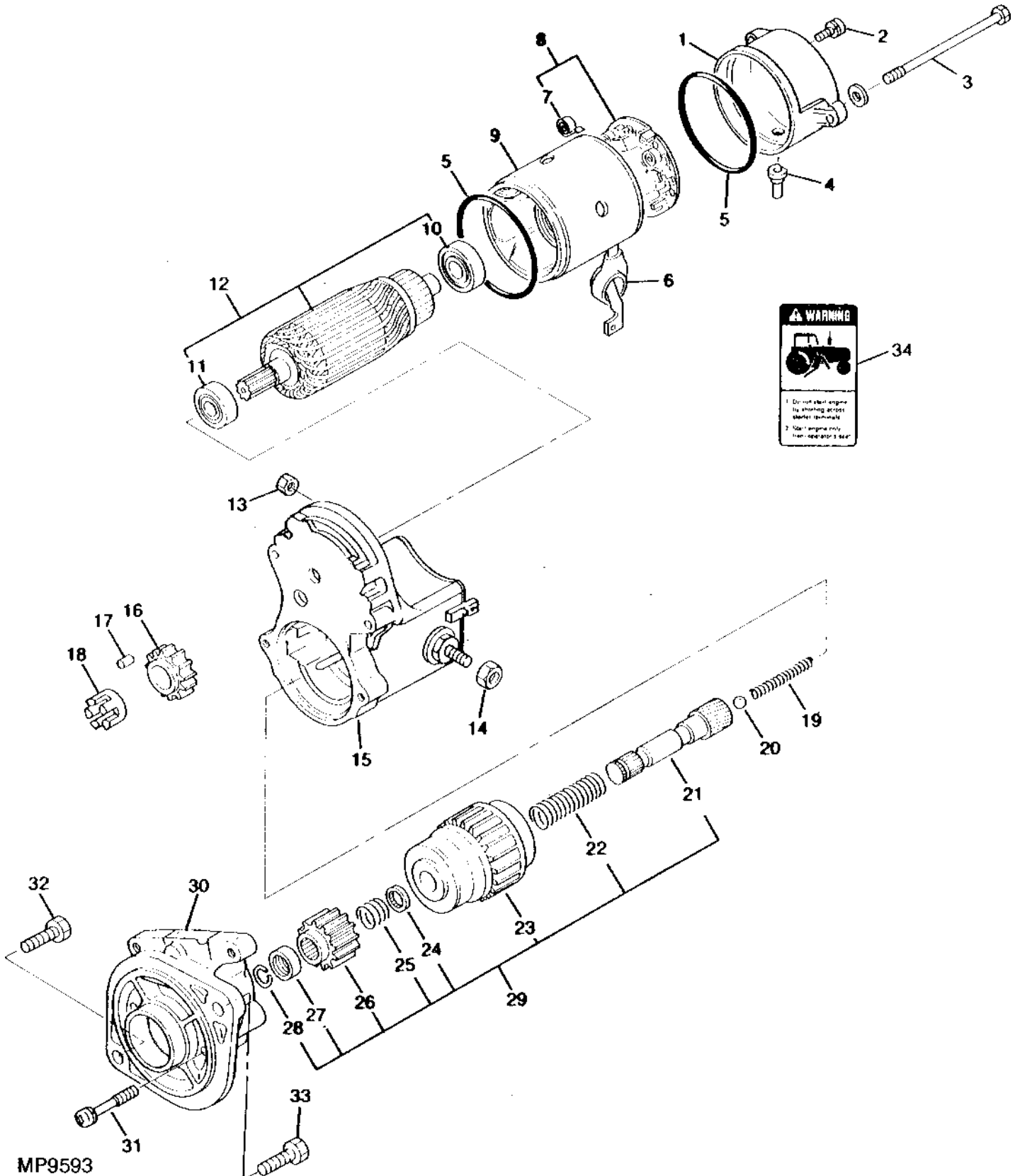
# 1D14

ELECTRICAL

STARTER (870 1.2 KW)(ENGINE SERIAL NO. 6518- ) (TRACTOR SERIAL NO. 101977- )

MP9593

-UN-01JAN94



# 1D15

ELECTRICAL

STARTER (870 1.2 KW) (ENGINE SERIAL NO. 6518- ) (TRACTOR SERIAL NO.1 01977- ) (CONTINUED)

KEY	PART NO.	PART NAME	QTY	SERIAL NO.	REMARKS
1	M806255	FRAME	1		
2	CH19567	SCREW	2		
3	M806258	BOLT	2		
4	M806261	BUSHING	1		
5	M806260	O-RING	2		
6	M806262	CAP	1		
7	CH15977	SPRING	4		
8	AM878419	HOLDER	1		
9	.....	FIELD WINDING COIL	1		(ORDER AM878415)
10	M806244	BEARING	1		
11	M806245	BEARING	1		
12	.....	ARMATURE	1		(ORDER AM878415)
13	M806018	NUT	1		(WITH WAVE WASHER)
14	CH12752	NUT	1		
15	M806256	SWITCH	1		
16	M806253	PINION	1		
17	CH12487	ROLLER	5		
18	M806252	RETAINER	1		
19	M806259	SPRING	1		
20	CH12554	BALL	1		
21	.....	SHAFT	1		(ORDER AM878417)
22	.....	SPRING	1		(ORDER AM878417)
23	.....	CLUTCH	1		(ORDER AM878417)
24	CH12699	RETAINER	1		
25	CH12700	SPRING	1		
26	.....	PINION	1		(ORDER AM878417)
27	CH12702	NUT	1		
28	.....	SNAP RING	1		(ORDER AM878417)
29	AM878417	KIT	1		STARTER
30	M806254	HOUSING	1		
31	M806257	BOLT	2		
32	M802704	BOLT	1		
33	19M8017	CAP SCREW	1		M12 X 20 (HS, HEAD MARKED 10.9)
34	T146102	LABEL	1		
..	AM878415	STARTER	1		(COMPLETE)

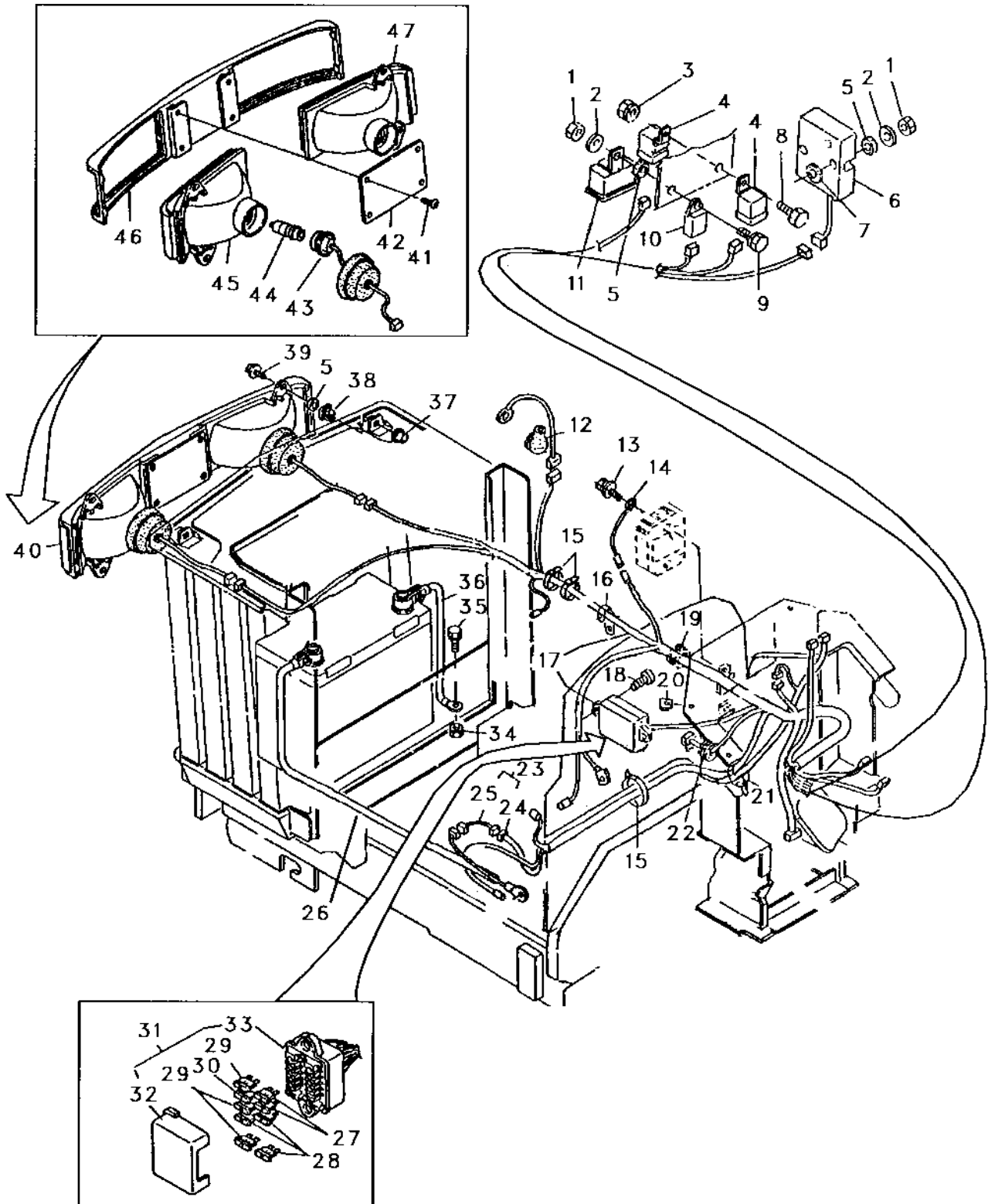
# 1D16

ELECTRICAL

MP15449

-UN-25MAR96

## HEADLIGHTS AND WIRING HARNESS



MP15449

# 1D17

ELECTRICAL

## HEADLIGHTS AND WIRING HARNESS (CONTINUED)

KEY	PART NO.	PART NAME	QTY	SERIAL NO.	REMARKS
1	M803350	LOCK NUT	2		
2	24M7054	WASHER	1	6.400 X 12 X 1.600 MM	
3	14M7272	NUT	1	M6	
	12M7006	LOCK WASHER	1	6.100 MM	
4	M805280	RELAY	2	STARTER, (SUB FOR CH18734)	
5	CH11895	SPACER	6		
6	M803344	RELAY MODULE	1	CONTROL	
7	CH15255	WASHER	2		
8	19M6614	CAP SCREW	1	M6 X 12	
9	19M6614	CAP SCREW	1	M6 X 12	
	12M7006	LOCK WASHER	1	6.100 MM	
10	M803347	RELAY	1	FLASHER	
11	CH11698	FLASHER	1		
12	CH10492	COVER	1		
13	M803548	BOLT	2	WITH WASHER	
14	M803795	WIRE	1		
15	R44302	TIE BAND	3		
16	CH13190	CLAMP	1	WIRING	
17	AM877190	WIRING HARNESS	1	COMPLETE	
18	CH10623	SCREW	2		
19	M803308	GROMMET	1		
20	CH11876	NUT	4		
21	CH16579	CLAMP	1		
22	CH17296	GROMMET	1		
23	AM877192	WIRING HARNESS	1		
24	M804275	WIRING HARNESS	1		
25	CH20157	WIRE	1	FUSIBLE	
26	M803309	CABLE	1		
27	57M7124	FUSE	2	3 AMP	
28	57M7121	FUSE	3	10 AMP	
29	99M7065	FUSE	3	15 AMP	
30	57M7125	FUSE	1	5 AMP	
31	AM877190	WIRING HARNESS	1	FUSE	
32	M803291	COVER	1	FUSE BOX	
33	.....	HOUSING	1	FUSE BOX (ORDER AM877190)	
34	14M7273	NUT	1	M8	
	12M7065	LOCK WASHER	1	8.100 MM	
35	19M7162	CAP SCREW	1	M8 X 16	
36	CH16578	CABLE	1	BATTERY GROUND	
37	99M7045	PLUG	2	(SUB FOR (2) CH11400)	
38	M803336	GROMMET	4		
39	M803429	SCREW	4		
40	.....	LIGHT BAR	1	(ORDER COMPONENTS)	
41	M803335	SCREW	4		
42	M803334	PLATE	1		
43	M803333	SOCKET	2		
44	M803329	BULB	2		
45	M803331	SIDE LIGHT	1	LH	
46	M803332	BEZEL	1		
47	M803330	SIDE LIGHT	1	RH	

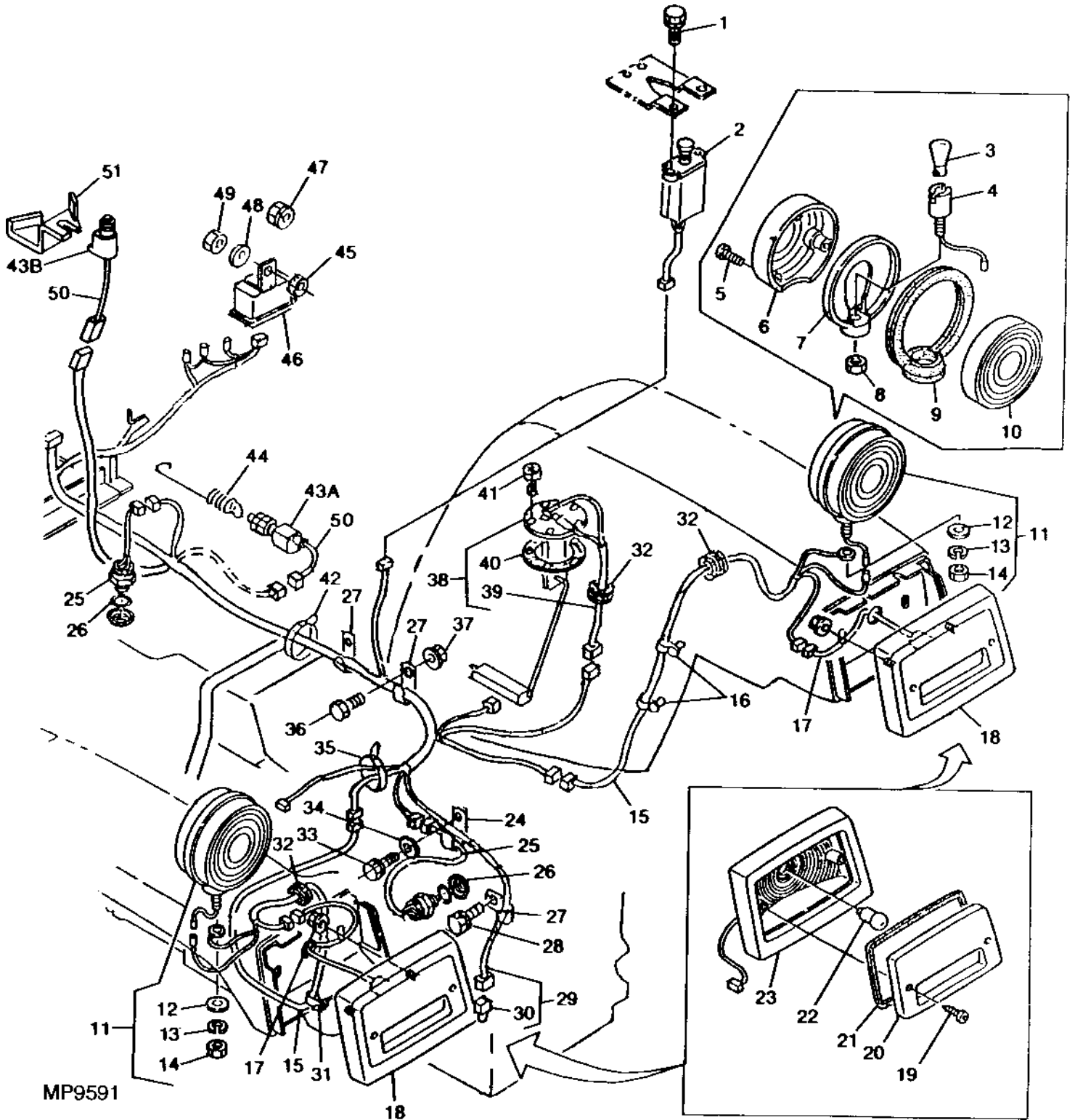
# 1D18

ELECTRICAL

MP9591

-UN-02JAN94

## REAR LIGHTS AND WIRING HARNESS



MP9591



REAR LIGHTS AND WIRING HARNESS - CONTINUED

KEY	PART NO.	PART NAME	QTY	SERIAL NO.	REMARKS
				1 8 9 0 7 7 7 0 0 0	
1	19M8425	CAP SCREW	2		M6 X 16 (HS, HEAD MARKED 10.9)
	12M7006	LOCK WASHER	2		6.100 MM
2	M803327	SWITCH	1		SEAT
3	AD2062R	BULB	2		
4	.....	SOCKET	2		(ORDER CH12713)
5	CH12639	SCREW	6		
6	CH12636	LENS	2		
7	.....	HOUSING	2		(ORDER CH12713)
8	14M7274	NUT	2		M10
9	CH12638	GASKET	2		
10	T116274	LENS	2		(SUB FOR CH12637)
11	CH12713	LAMP	2		WARNING
12	24M7028	WASHER	2		10.500 X 20 X 2 MM
13	12M7066	LOCK WASHER	2		10.200 MM
14	14M7274	NUT	2		M10
15	M804274	WIRING HARNESS	2		
16	CH17297	CLAMP	4		
17	14M7272	NUT	4		M6
	12M7006	LOCK WASHER	4		6.100 MM
18	AM876789	TAIL LAMP	2		
19	M803341	SCREW	4		
20	M803338	LENS	2		
21	M803340	SEAL	2		
22	M803337	BULB	2		(SUB FOR M803337)
23	M803339	BEZEL	2		
24	M800307	CLAMP	1		
25	CH13415	SWITCH	2		NEUTRAL START
26	CH14634	O-RING	2		
27	CH13189	CLAMP	1		
28	19M7162	CAP SCREW	1		M8 X 16
	24M7095	WASHER	1		8.400 X 15 X 1.600 MM
29	AM878126	WIRING HARNESS	1		(SUB FOR AM877193)
30	M803300	WIRE	1		
31	CH17297	CLAMP	4		
32	CH13942	GROMMET	5		
33	19M7557	CAP SCREW	1		M10 X 16
	12M7066	LOCK WASHER	1		10.200 MM
34	24M7028	WASHER	1		10.500 X 20 X 2 MM
35	R44302	TIE BAND	2		
36	19M7162	CAP SCREW	1		M8 X 16
37	14M7273	NUT	1		M8
	12M7065	LOCK WASHER	1		8.100 MM
38	AM877195	SENDER	1		FUEL
39	M804285	WIRE	1		
40	M800792	GASKET	1		
41	CH10620	SCREW	5		
42	CH16579	CLAMP	1		
43A	M803326	SWITCH	1	-101894	X (A) BRAKE
	M803326	SWITCH	1	-103939	X (B)
	M803326	SWITCH	1	-101544	X (A)
	M803326	SWITCH	1	-103355	X (B)
	M803326	SWITCH	1	-103992	X
43B	M805524	SWITCH	1	101895-	X (A)
	M805524	SWITCH	1	103940-	X (B)
	M805524	SWITCH	1	101545-	X (A)
	M805524	SWITCH	1	103356-	X (B)
	M805524	SWITCH	1	103993-	X
44	M803320	EXTENSION SPRING	1	-XXXXXX	(USE WITH M803326 BRAKE SWITCH)
45	CH11895	SPACER	1		
46	CH11698	FLASHER	1		
47	14M7272	NUT	1		M6
	12M7006	LOCK WASHER	1		6.100 MM
48	24M7054	WASHER	1		6.400 X 12 X 1.600 MM
49	M803350	LOCK NUT	1		
50	M805806	WIRING HARNESS	1		BRAKE SWITCH
51	AM878139	SUPPORT	1		BRAKE SWITCH

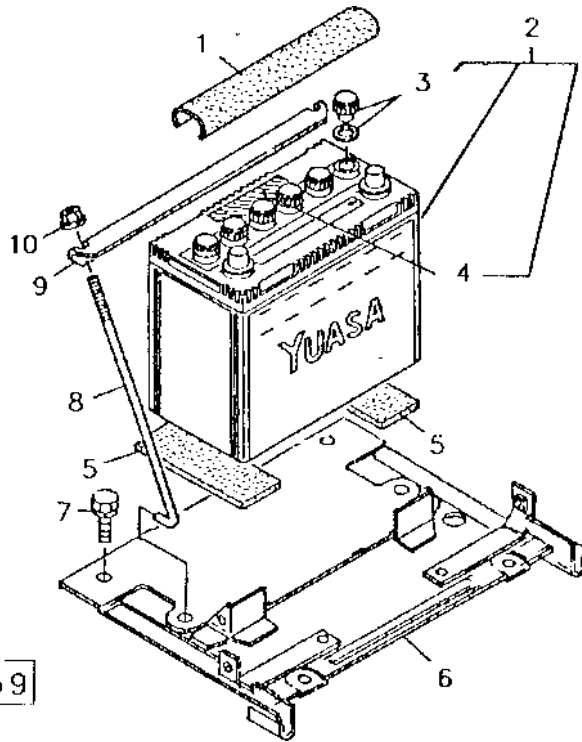
(A) MANUAL STEERING AND COLLAR SHIFT  
 (B) POWER STEERING AND SYNCHRONIZED SHIFT

# 1D20

ELECTRICAL

MP6859 -UN-01JAN94

## BATTERY AND BRACKET



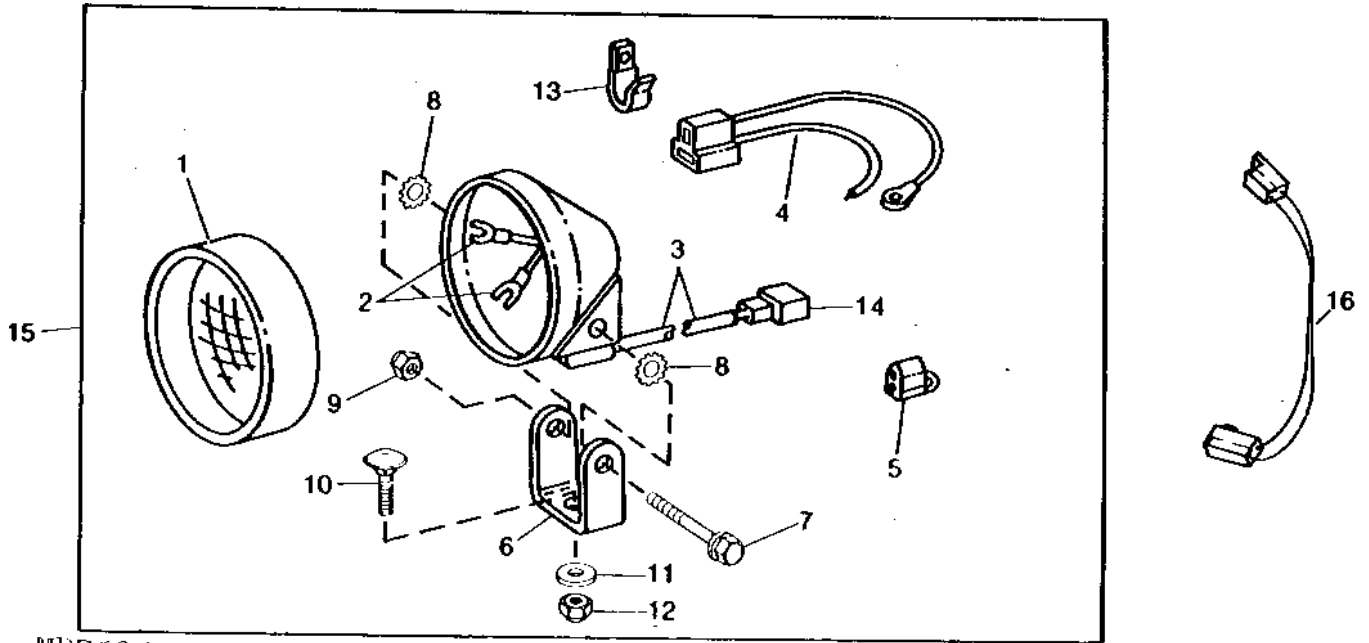
MP6859

KEY	PART NO.	PART NAME	QTY	SERIAL NO.	REMARKS
				1 8 9 0 7 7 7 0 0 0	
1	CH12150	COVER	1		
2	TY6092	BATTERY	1		X
	TY21736	BATTERY	1		X X (SUB FOR TY6107)
3	M802200	CAP	6		
4	M802738	LABEL	1		
5	CH11411	FOAM PAD	2		
6	AM877194	BRACKET	1		
7	19M7938	CAP SCREW	2		M10 X 20 (HS, HEAD MARKED 10.9)
	12M7066	LOCK WASHER	2		10.200 MM
8	CH19185	ROD	2	-XXXXXX	
	M803314	ROD	1	XXXXXX-	
9	M804278	CLAMP	1		(SUB M805279)
10	14M7273	NUT	2		M8
	12M7065	LOCK WASHER	2		8.100 MM
	24M7055	WASHER	2		8.400 X 16 X 1.600 MM

# 1D21

MP7505 -UN-01JAN94

## 870, 970 AND 1070 WORK LIGHT KIT



MP7505

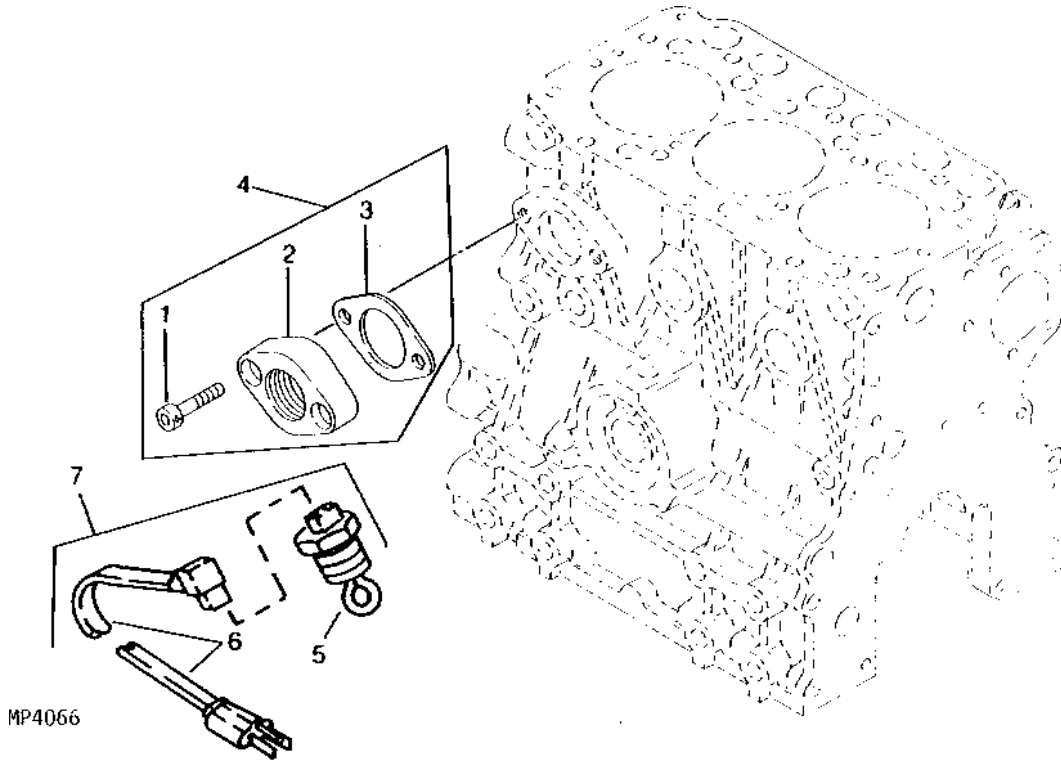
KEY	PART NO.	PART NAME	QTY	SERIAL NO.	REMARKS
1	AF3892R	HEADLIGHT	1		
2	T34067	TERMINAL	2		
3	AM100778	WIRING HARNESS	1		
4	AM100779	WIRING HARNESS	1		(NOT USED THIS APPLICATION)
5	AM52175	CONNECTOR	1		WIRE
6	AM100777	BRACKET	1		(NOT USED THIS APPLICATION)
7	19H1949	CAP SCREW	1		5/16" X 2-1/2"
8	12M7032	LOCK WASHER	2		8.400 MM
9	14H785	NUT	1		5/16"
10	03H1500	BOLT	1		3/8" X 1"
11	24H1307	WASHER	1		13/32" X 1" X 1/16"
12	T11234	LOCK NUT	1		3/8"
13	N10011	CLIP	1		
14	T28586	CONNECTOR	1		
15	<b>BM17981</b>	<b>KIT</b>	<b>1</b>		<b>WORK LIGHT (REPLACES AM102724)</b>
16	AM108244	WIRING HARNESS	1		(WORK LIGHT ADAPTER)

# 1D22

ELECTRICAL

MP4066 -UN-01JAN94

## 870, 970 AND 1070 BLOCK HEATER



KEY	PART NO.	PART NAME	QTY	SERIAL NO.	REMARKS
1	19M6887	SCREW	2	M8 X 18	
2	M800125	ADAPTER	1		
3	M805828	GASKET	1	(SUB FOR M89174)	
4	AM101390	ADAPTER	1	COMPLETE	
5	AR87184	COOLANT HEATER	1		
6	AR87168	POWER CORD	1		
7	AR87167	KIT	1	COOLANT HEATER	

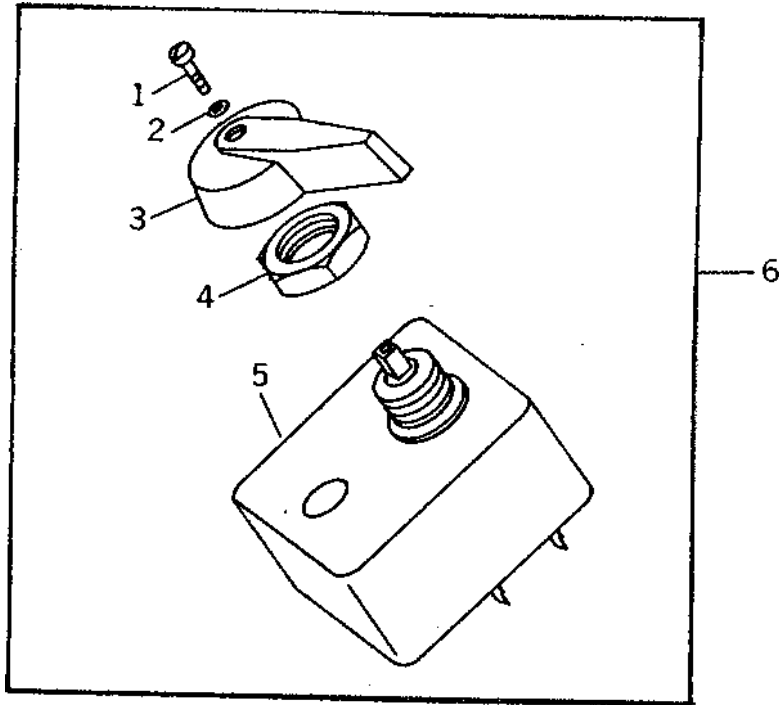
# 1D23

ELECTRICAL

R33402

-UN-01JAN94

## TURN SIGNAL CONTROL (OPTIONAL)



R33402

KEY	PART NO.	PART NAME	QTY	TRACTOR SERIAL NO.	REMARKS
1	21H1372	SCREW	1	1/8" X 3/8"	
2	12H233	LOCK WASHER	1	1/8"	
3	R56026	KNOB	1		
4	R56410	NUT	1		
5	AR64422	TURN SIGNAL CONTROLLER	1		
6	AR87054	KIT	1	TURN SIGNAL	

---

MEMORANDA

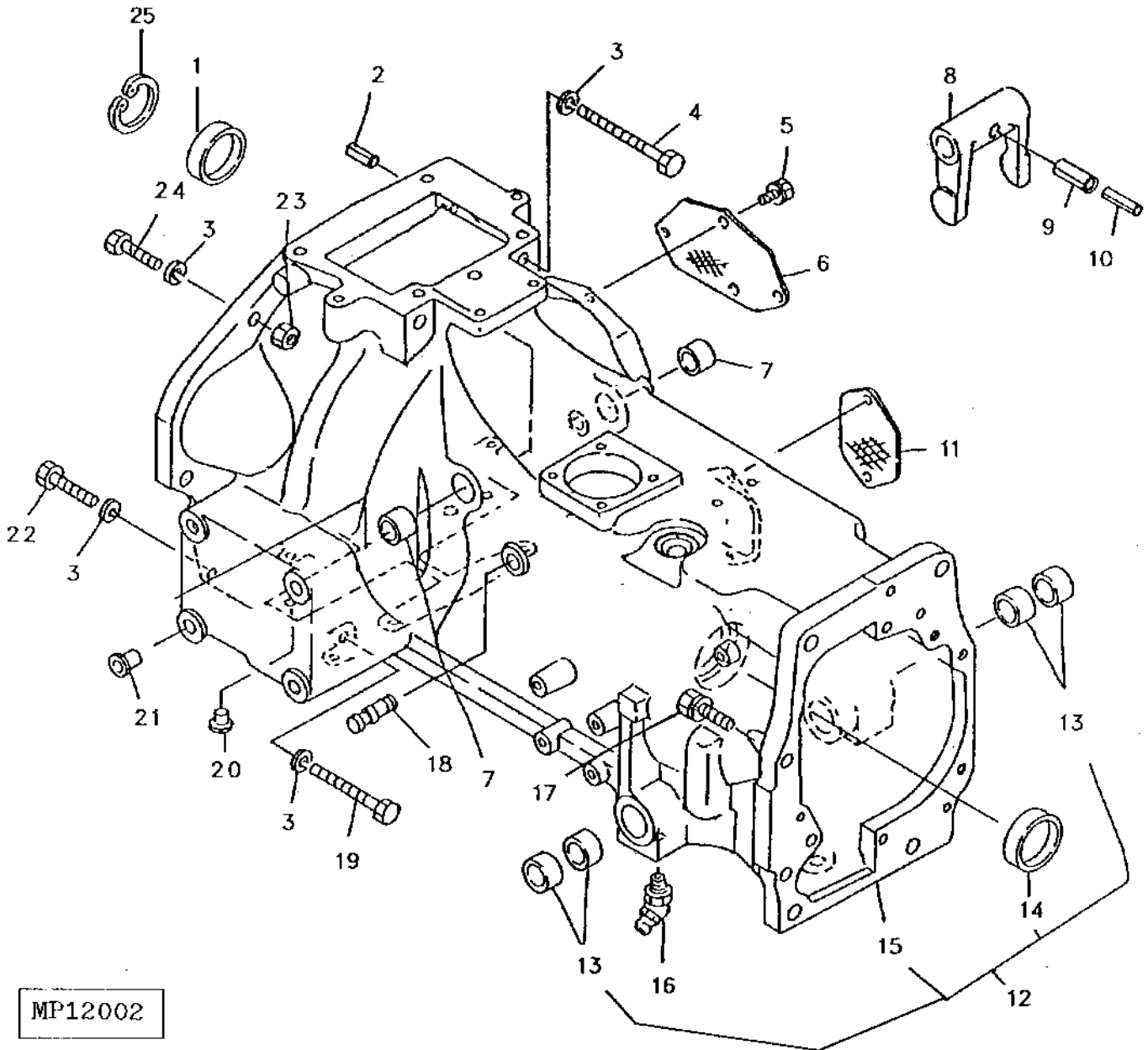
---

MEMORANDA

# 1E4

## CLUTCH HOUSING 870 SIMPLE (SN -130028), 870 DELUXE (SN -130811), 970 SIMPLE (SN -130017), 970 DELUXE (SN -130594), 1070 (SN -130549)

MP12002 -UN-01JAN94



MP12002



# 1E5

POWER TRAIN

**CLUTCH HOUSING (CONTINUED)**  
**870 SIMPLE ( SN -130028), 870 DELUXE (SN -130811), 970 SIMPLE (SN -130017), 970 DELUXE**  
**(SN -130594), 1070 (SN -130549)**

KEY	PART NO.	PART NAME	QTY	SERIAL NO.	REMARKS
1	M805253	SEAL	1		
2	CH11502	PIN	2		
3	12M7067	LOCK WASHER	9	12.200 MM	
4	M804449	BOLT	2		
5	19M7162	CAP SCREW	3	M8 X 16	
	12M7065	LOCK WASHER	3	8.100 MM	
6	M805029	COVER	1		HOUSING, (SUB FOR M804448)
7	CH10889	BUSHING	2	(A)	
8	M804460	YOKE	1		CLUTCH
9	34M7047	SPRING PIN	1		8 X 40 MM
10	34M7035	SPRING PIN	1		5 X 40 MM, (SUB FOR CH12301)
11	M804450	COVER	1		HOUSING
12	AM877475	HOUSING	1		(INCLUDES PARTS MARKED (A)) (SUB AM878755)
13	CH14748	BUSHING	4		(A)
14	M804397	CAP	1		SEALING
15	.....	HOUSING	1		(A) (ORDER AM878755)
16	T116334	LUBRICATION FITTING	2		(SUB FOR TH100075)
17	19M7493	CAP SCREW	2		M12 X 40 (HS, HEAD MARKED 10.9)
	12M7067	LOCK WASHER	2	12.200 MM	
18	CH11397	PIN	2		
19	M804451	BOLT	2		
20	CH11396	PLUG	4		
21	CH15738	CAP	8	(A)	
22	M804452	BOLT	3		
23	14M7275	NUT	2	M12	
24	M804453	BOLT	1		
25	CH15010	RING	1		RETAINING

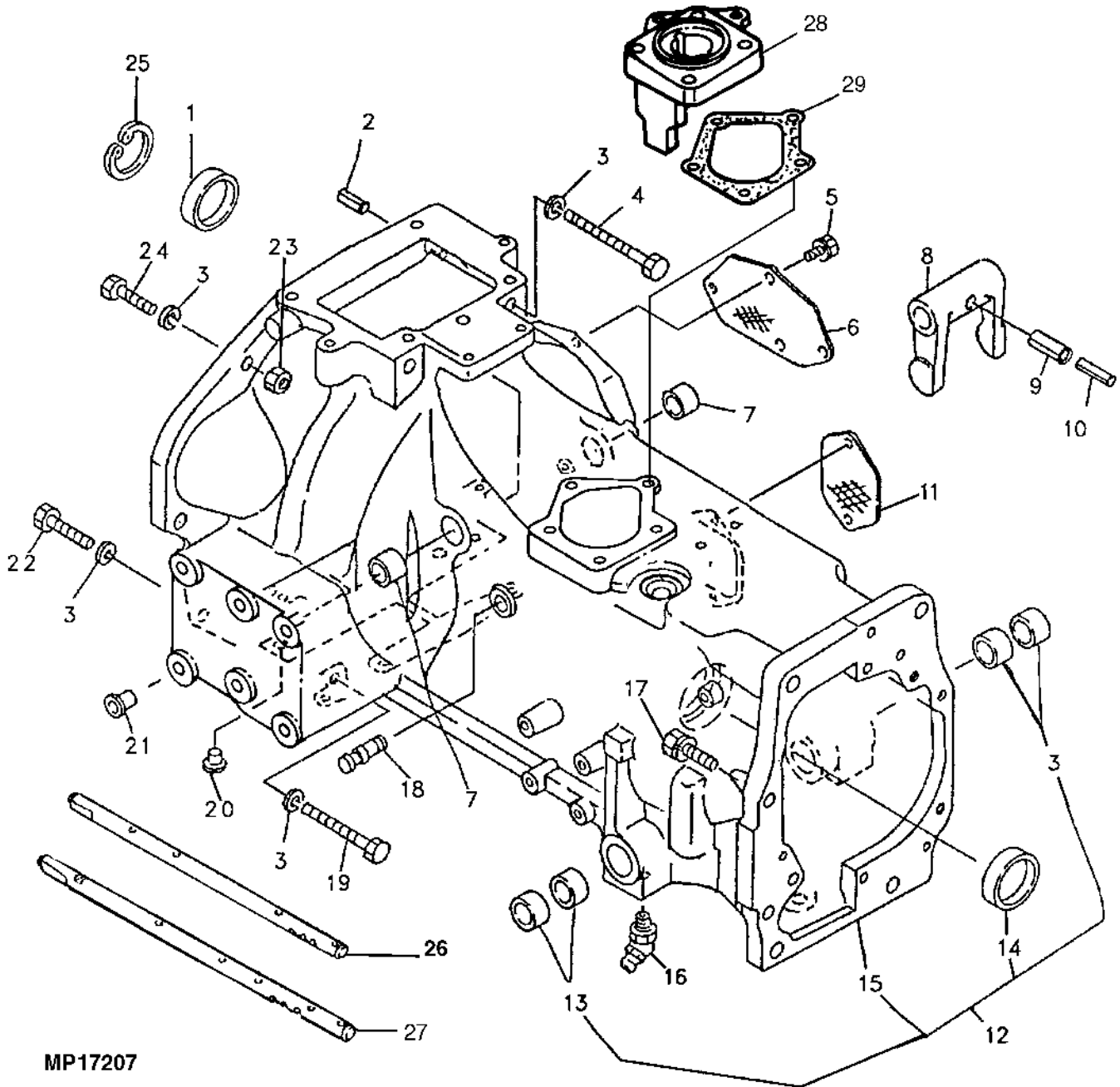
# 1E6

POWER TRAIN

## CLUTCH HOUSING

870 SIMPLE (SN 130029- ), 870 DELUXE (SN 130812- ), 970 SIMPLE (SN 130018- ), 970 DELUXE (SN 130595- ), 1070 (SN 130550- )

MP17207 -UN-17APR97



MP17207

**CLUTCH HOUSING (CONTINUED)**  
**870 SIMPLE (SN 130029- ), 870 DELUXE (SN 130812- ), 970 SIMPLE (SN 130018- ), 970 DELUXE**  
**(SN 130595- ), 1070 (SN 130550- )**

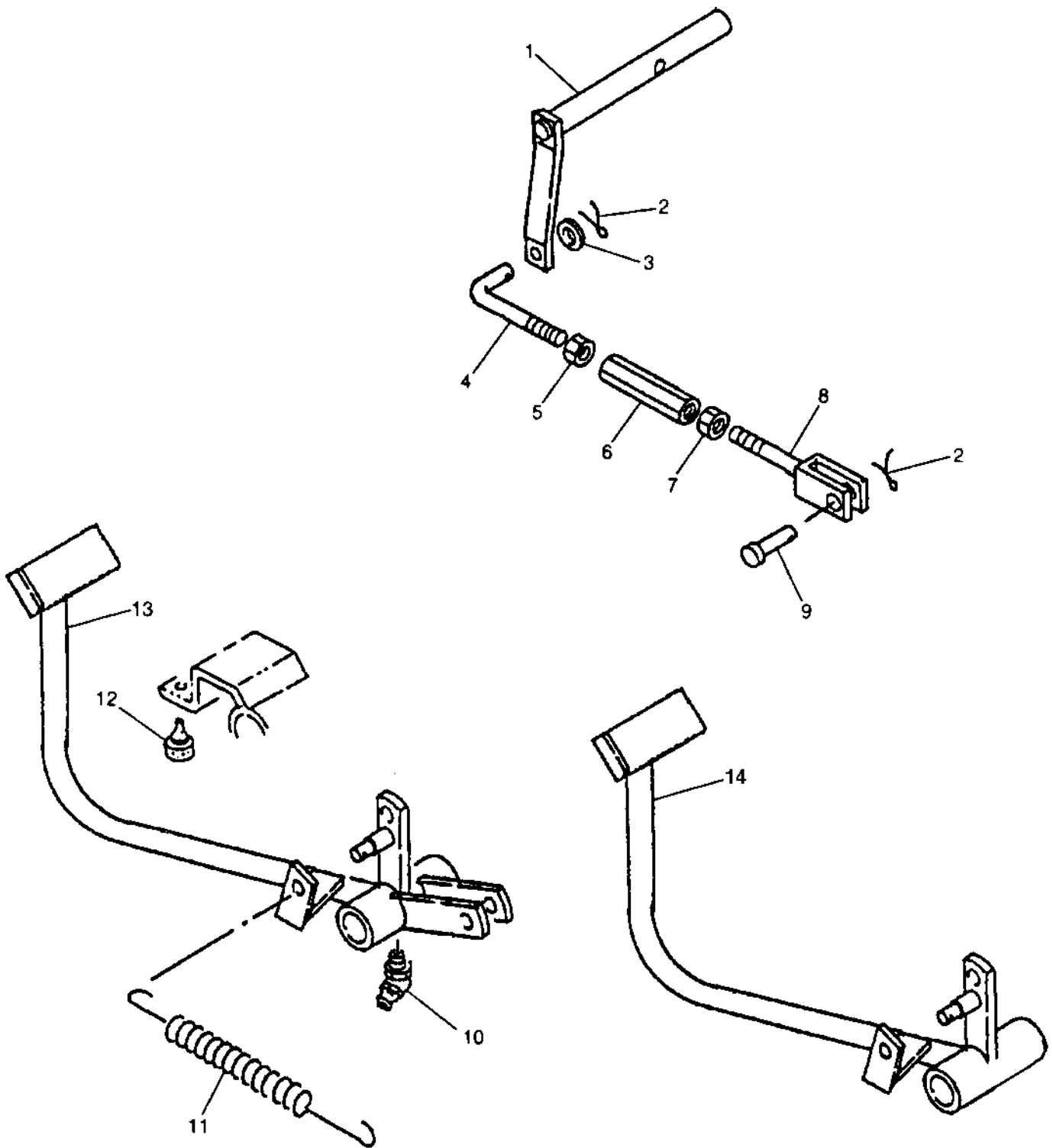
KEY	PART NO.	PART NAME	QTY	SERIAL NO.	REMARKS
1	M805253	SEAL	1		
2	CH11502	PIN	2		
3	12M7067	LOCK WASHER	9	12.200 MM	
4	M804449	BOLT	2		
5	19M7162	CAP SCREW	3	M8 X 16	
	12M7065	LOCK WASHER	3	8.100 MM	
6	M805029	COVER	1		(SUB FOR M804448) HOUSING
7	CH10889	BUSHING	2		(A)
8	M804460	YOKE	1		CLUTCH
9	34M7047	SPRING PIN	1		8 X 40 MM
10	34M7035	SPRING PIN	1		5 X 40 MM, (SUB FOR CH12301)
11	M804450	COVER	1		HOUSING
12	AM878755	HOUSING	1		(INCLUDES PARTS MARKED (A))
13	CH14748	BUSHING	4		(A)
14	M804397	CAP	1		SEALING
15	.....	HOUSING	1		(A) (ORDER AM878755)
16	T116334	LUBRICATION FITTING	2		(SUB FOR TH100075)
17	19M7493	CAP SCREW	2		M12 X 40 (HS, HEAD MARKED 10.9)
	12M7067	LOCK WASHER	2	12.200 MM	
18	CH11397	PIN	2		(A)
19	M804451	BOLT	2		
20	CH11396	PLUG	4		
21	CH15738	CAP	8		(A)
22	M804452	BOLT	3		
23	14M7275	NUT	2	M12	
24	M804453	BOLT	1		
25	CH15010	RING	1		RETAINING
26	M806674	SHAFT	1		(A) 1-2 FORK
27	M806675	SHAFT	1		(A) 1-R FORK
28	M806672	RETAINER	1		(A)
29	M806673	GASKET	1		(A)

# 1E8

MP17490

-UN-01MAY97

## CLUTCH PEDAL AND LINKAGE



MP17490

**CLUTCH PEDAL AND LINKAGE (CONTINUED)**

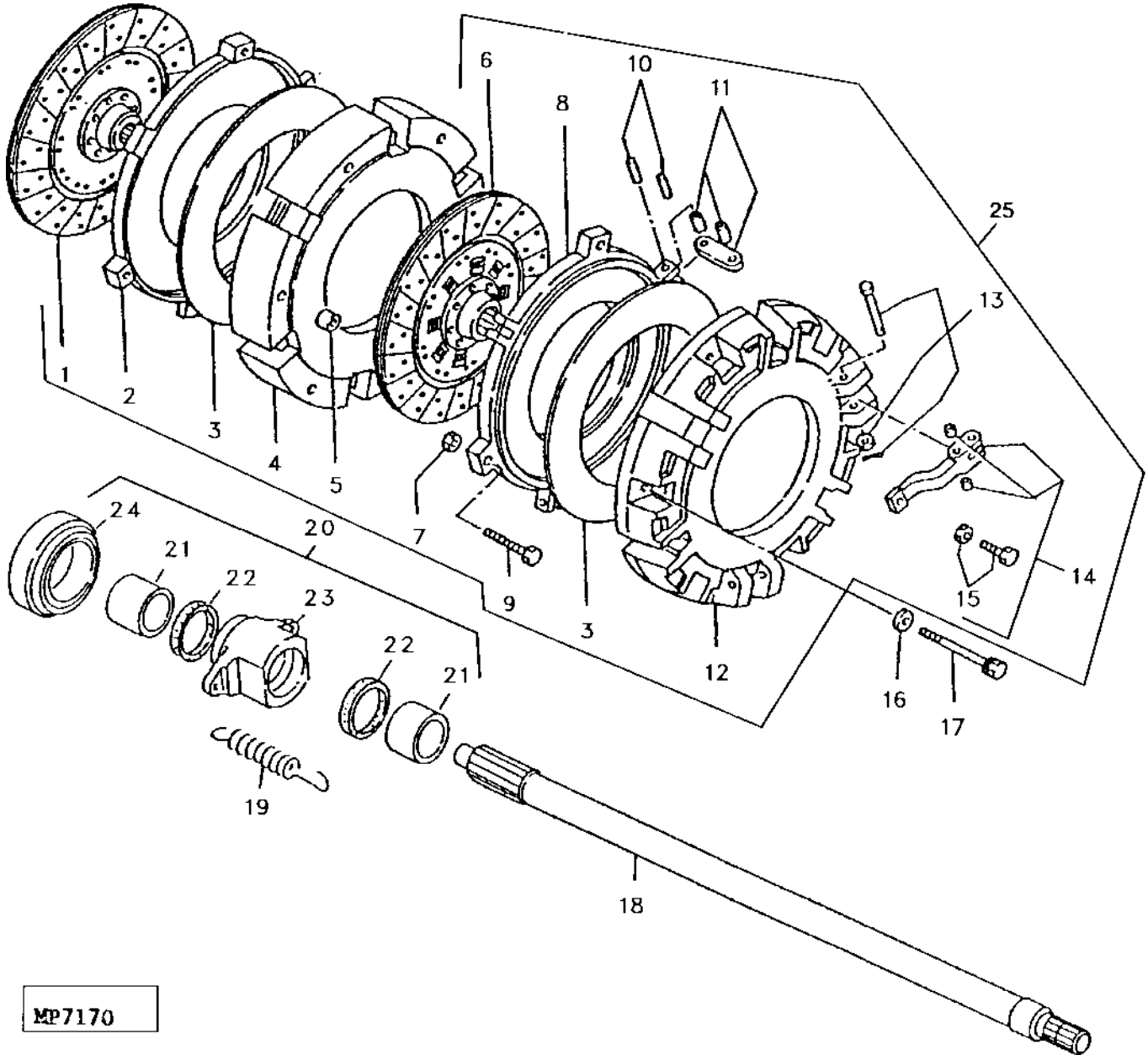
KEY	PART NO.	PART NAME	QTY	SERIAL NO.	REMARKS
1	AM877478	SHAFT	1		RELEASE
2	CH12319	PIN	2		
3	24M7028	WASHER	1		(K) 10.500 X 20 X 2 MM
4	.....	ROD	1		(K) CLUTCH, (ORDER AM878165)
5	14M7274	NUT	1		(K) M10
6	M802996	TURNBUCKLE	1		(K)
7	14M7228	NUT	1		(K) M10 LH THREAD
8	.....	YOKE, WITH SHAFT	1		(K) (ORDER AM878165)
9	M805040	PIN	1		
10	T116334	LUBRICATION FITTING	1		
11	M804473	SPRING	1		RETURN
12	CH15270	BUMPER	1		PEDAL
13	AM877479	PEDAL	1		(COLLAR TRANSMISSION MODELS)
14	AM877723	PEDAL	1		(SYNCH. SHIFT AND POWER STEERING MODELS)
..	AM878165	KIT	1		CLUTCH PEDAL ROD (INCLUDES PARTS MARKED (K))

# 1E10

MP7170

-UN-02JAN94

## CLUTCH DISK AND COVER



MP7170

## CLUTCH DISK AND COVER (CONTINUED)

KEY	PART NO.	PART NAME	QTY	SERIAL NO.	REMARKS
1	M806764	CLUTCH	1		PTO, (SUB FOR M804454)
2	CH13693	CLUTCH PLATE	1		
3	CH13687	DISK SPRING	2		DIAPHRAGM
4	CH13694	COVER	1		CLUTCH
5	CH13682	PIN	4		
6	M806407	CLUTCH DISK	1		MAIN, (SUB FOR M804455)
7	CH15626	NUT	3		
8	CH13692	CLUTCH PLATE	1		
9	CH13690	BOLT	3		
10	CH18030	PIN	1		
11	CH18031	ROD	1		RELEASE KIT
12	CH13695	COVER	1		CLUTCH
13	CH18033	PIN	1		
14	CH18032	KIT	1		RELEASE KIT
15	CH20185	BOLT	1		ADJUSTING
16	24M7055	WASHER	6		8.400 X 16 X 1.600 MM
17	19M7325	CAP SCREW	6		M8 X 80
	12M7065	LOCK WASHER	6		8.100 MM
18	M804456	SHAFT	1		CLUTCH INNER
19	M802990	SPRING	2		
20	AM877477	SLEEVE	1		
21	CH13095	BUSHING	2		
22	CH13096	SEAL	2		FELT
23	M804457	SLEEVE	1		
24	CH13099	BEARING	1		
25	AM878798	CLUTCH	1		(SUB FOR AM878497 OR AM877476)

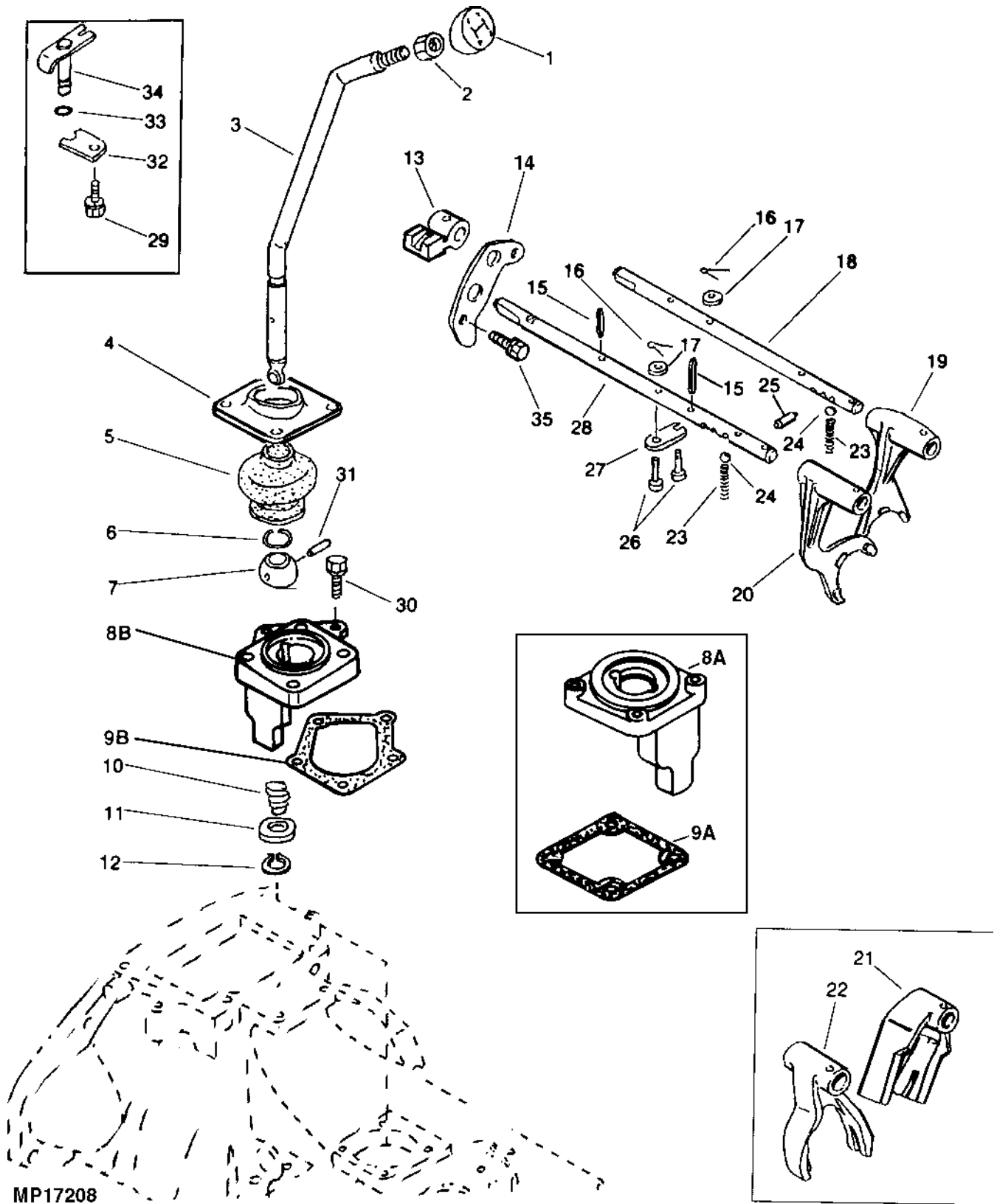
# 1E12

POWER TRAIN

MP17208

-UN-08APR97

## MAIN GEAR SHIFT





MAIN GEAR SHIFT (CONTINUED)

KEY	PART NO.	PART NAME	QTY	SERIAL NO.			REMARKS
				OR YEAR	8 9 0	7 7 7	
						1	
						0	
						0	
						0	
1	M804554	KNOB	1				RANGE LEVER
2	14M7274	NUT	1				M10
3	M804545	LEVER	1				RANGE
4	M804546	HOLDER	1				BOOT
5	M804553	BOOT	1				RUBBER
6	CH11828	RING	1				
7	CH10802	BALL	1				
8A	M804547	RETAINER	1	-130028	X		(A)
	M804547	RETAINER	1	-130811	X		(B)
	M804547	RETAINER	1	-130017	X		(A)
	M804547	RETAINER	1	-130594	X		(B)
	M804547	RETAINER	1	-130549		X	
8B	M806672	RETAINER	1	130029-	X		(A)
	M806672	RETAINER	1	130812-	X		(B)
	M806672	RETAINER	1	130018-	X		(A)
	M806672	RETAINER	1	130595-	X		(B)
	M806672	RETAINER	1	130550-		X	
9A	M804548	GASKET	1	-130029	X		(A)
	M804548	GASKET	1	-130811	X		(B)
	M804548	GASKET	1	-130017	X		(A)
	M804548	GASKET	1	-130594	X		(B)
	M804548	GASKET	1	-130549		X	
9B	M806673	GASKET	1	130029-	X		(A)
	M806673	GASKET	1	130812-	X		(B)
	M806673	GASKET	1	130018-	X		(A)
	M806673	GASKET	1	130595-	X		(B)
	M806673	GASKET	1	130550-		X	
10	M804559	SPRING	1				LEVER
11	24M7145	WASHER	1				15 X 24 X 2.500 MM, (SUB FOR M804514)
12	CH14443	RING	1				
13	M804558	SHIFTER	1				
14	M804555	HOLDER	1				INTER-LOCK
15	CH11501	PIN	6				
	CH11501	PIN	1				
16	CH12310	PIN	2				
17	24M7054	WASHER	2				
18	M804549	SHAFT	1	-XXXXXX			381MM (15") (2-3RD) FORK
	M806674	SHAFT	1	XXXXXX-			401MM (15.78") (2-3RD) FORK
19	M804557	SHAFT	1		X X		(2-3RD) SHIFT FOR MANUAL STEERING
20	M804556	SHAFT	1		X X		(1-R) SHIFT FOR MANUAL STEERING
21	M804561	FORK	1				(2-3RD) SHIFT FOR POWER STEERING
22	M804560	FORK	1				(1-R) SHIFT FOR POWER STEERING
23	CH11208	SPRING	1				
24	R26552	BALL	1				
25	CH10927	PIN	1				
26	M804515	PIN	1				
27	CH16429	ARM	1				
28	M804550	SHAFT	1				416.4MM (1-R FORK)
	M806675	SHAFT	1				433.4MM (1-R FORK)
29	19M7162	CAP SCREW	1	-XXXXXX			M8 X 16
	12M7065	LOCK WASHER	1	-XXXXXX			8.100 MM
30	19M7407	CAP SCREW	1				M8 X 25
	12M7056	LOCK WASHER	1				8.100 MM
31	34M7035	SPRING PIN	1				5 X 40 MM
32	M803114	PLATE	1	-XXXXXX			
33	CH14926	PACKING	1	-XXXXXX			
34	AM877486	ARM	1	-XXXXXX			
35	19M7881	SCREW	1				M8 X 20 (HS, HEAD MARKED 10.9)
	12M7065	LOCK WASHER	1				8.100 MM

A=SIMPLE

B=DELUXE

---

MEMORANDA

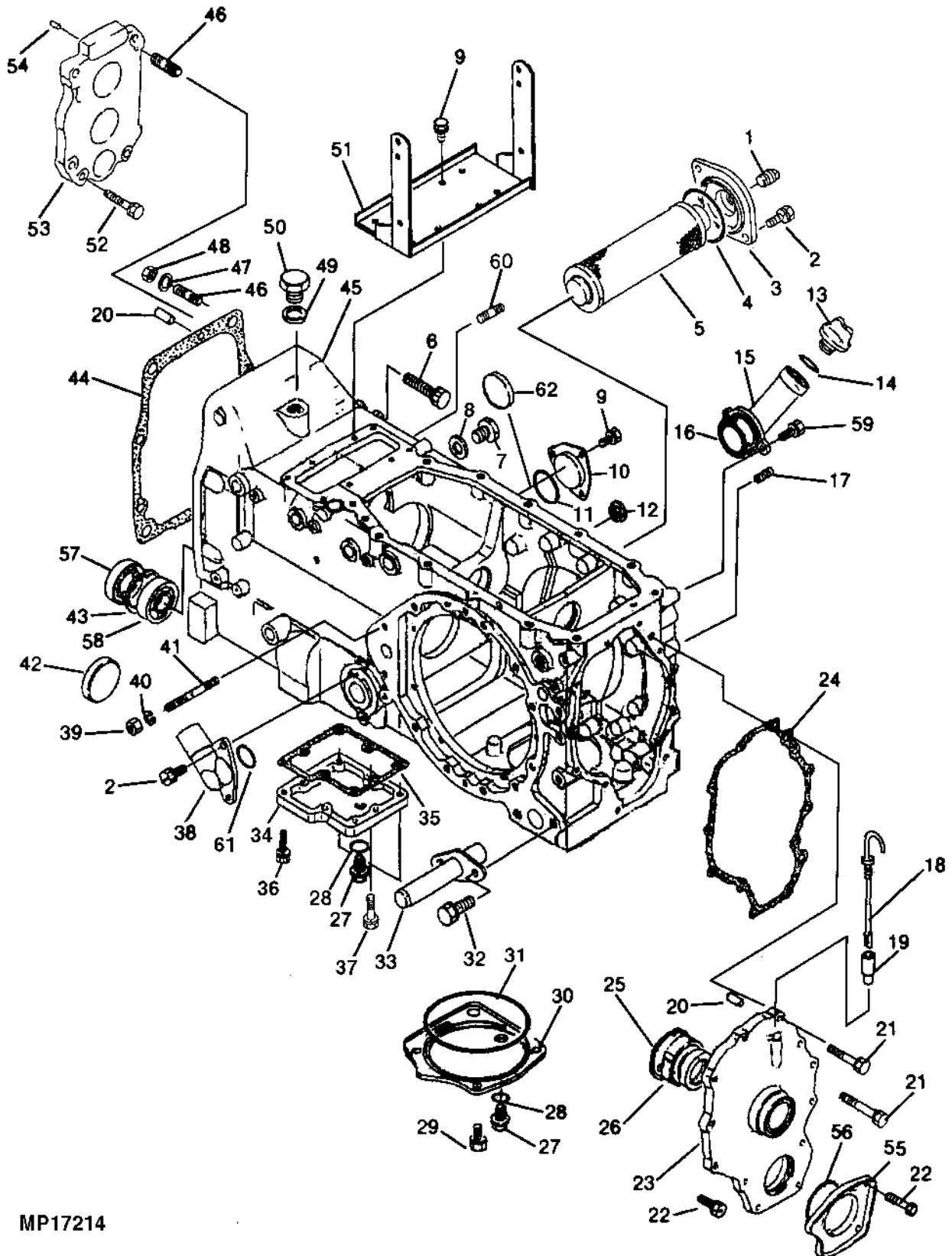
---

MEMORANDA

# 1E14

MP17214 -UN-08APR97

## TRANSMISSION HOUSING



MP17214

## TRANSMISSION HOUSING (CONTINUED)

KEY	PART NO.	PART NAME	QTY	SERIAL NO.	REMARKS
1	15H584	PIPE PLUG	1	1/2", (SUB FOR CH14818)	
2	19M7881	SCREW	6	M8 X 20 (HS, HEAD MARKED 10.9)	
	12M7065	LOCK WASHER	6	8.100 MM	
3	M804496	COVER	1		
4	CH17154	PACKING	1		
5	CH19172	STRAINER	1		
6	19M7493	CAP SCREW	2	M12 X 40 (HS, HEAD MARKED 10.9)	
	12M7067	LOCK WASHER	2	12.200 MM	
7	M803022	PLUG	1	(W/O SCV)	
8	M800848	GASKET	1	(W/O SCV)	
9	19M7162	CAP SCREW	11	M8 X 16	
	12M7065	LOCK WASHER	11	8.100 MM	
10	M804489	COVER	1	(R)	
11	CH11436	PACKING	1	(R)	
12	CH14751	CAP	1	SEAL (FOR 2WD)	
13	M800628	CAP	1		
14	M802001	O-RING	1		
15	M804487	FILLER NECK	1		
16	TH104972	O-RING	1		
17	M805045	STUD	2	(A) (SUB FOR M804477)	
18	AM877804	DIPSTICK	1	(SUB FOR M800473)	
19	M803779	GUIDE	1		
20	CH14795	PIN	4	(A)	
21	M804493	BOLT	2	(INCLUDES WASHER)	
22	19M7298	CAP SCREW	10	M8 X 35	
	12M7065	LOCK WASHER	10	8.100 MM	
23	M804971	COVER	1		
24	M804480	GASKET	1		
25	CH14669	SNAP RING	1		
26	CH10921	SEAL	1		
27	CH11414	PLUG	2		
28	CH10570	PACKING	2		
29	19M7402	CAP SCREW	4	M10 X 25 (HS, HEAD MARKED 10.9)	
	12M7066	LOCK WASHER	4	10.200 MM	
30	M804483	COVER	1		
31	CH14635	PACKING	1		
32	19M6332	CAP SCREW	4	M14 X 35 (HS, HEAD MARKED 10.9)	
	12M7068	LOCK WASHER	4	14.200 MM	
33	M804490	PIN	2	LOWER LINK	
34	M804481	COVER	1	(R)	
	M806677	COVER	1	(S) (A)	
35	M804482	GASKET	1	(R)	
	M806678	GASKET	1	(S) (A)	
36	19M7513	CAP SCREW	8	(R) M8 X 30	
	12M7065	LOCK WASHER	8	(R) 8.100 MM	
	19M7407	CAP SCREW	5	(S) (A) M8 X 25 (HS, HEAD MARKED 10.9)	
	12M7065	LOCK WASHER	5	(S) (A) 8.100 MM	

NOTE: SEE SECTION 92 FOR 1070 CREEPER VERSION

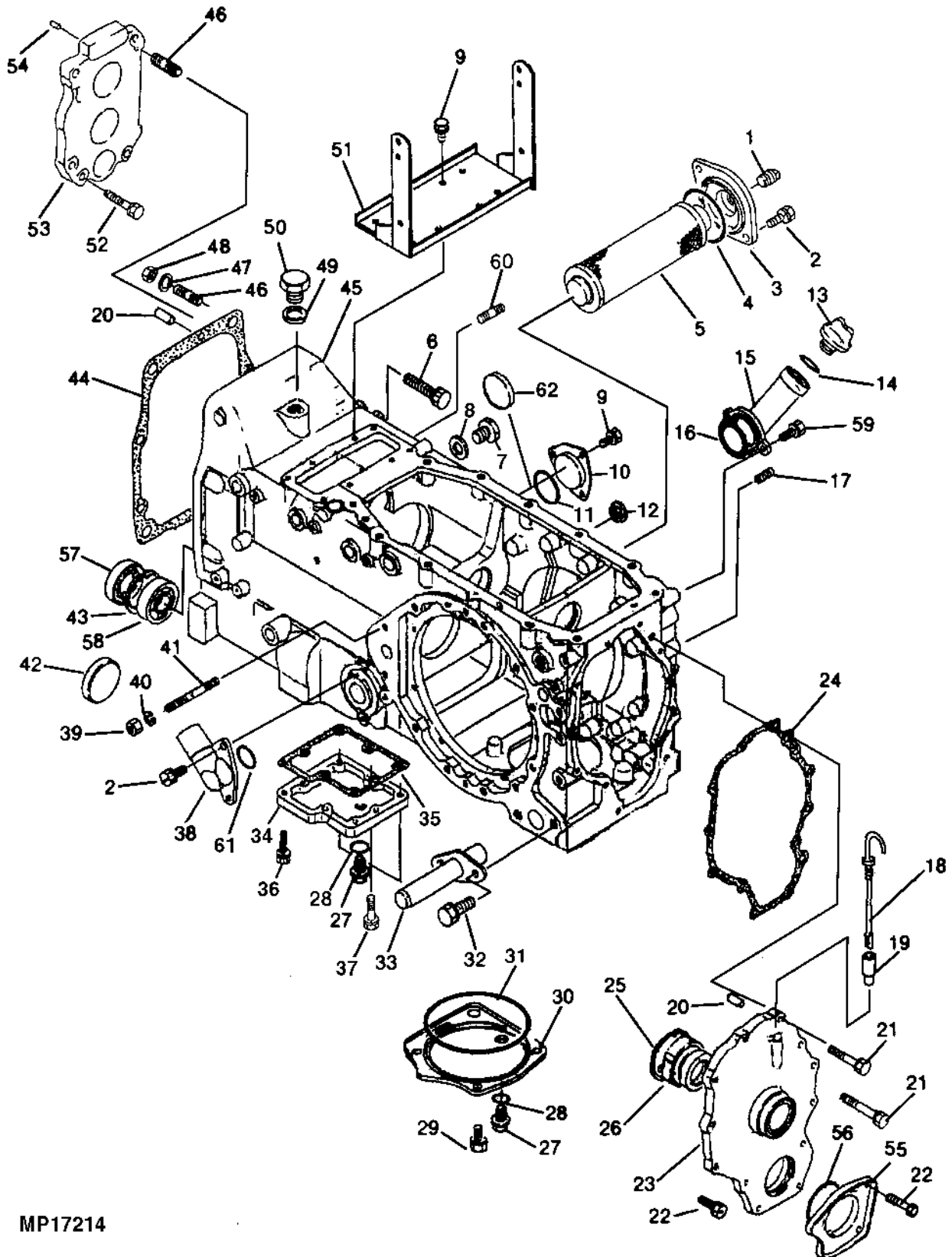
(R) SN 870A -130023  
 (R) SN 870B -130791  
 (R) SN 970A -130018  
 (R) SN 970B -130580  
 (R) SN 1070 -130541

(S) SN 870A 130024-  
 (S) SN 870B 130792-  
 (S) SN 970A 130019-  
 (S) SN 970B 130581-  
 (S) SN 1070 130542-

# 1E16

MP17214 -UN-08APR97

## TRANSMISSION HOUSING (CONTINUED)



MP17214

## TRANSMISSION HOUSING (CONTINUED)

KEY	PART NO.	PART NAME	QTY	SERIAL NO.	REMARKS
37	19M7513	CAP SCREW	4	(A) (S) M8 X 30 (HS, HEAD MARKED 10.9)	
	12M7065	LOCK WASHER	4	(A) (S) 8.100 MM	
38	M804488	FLANGE	1		
39	14M7274	NUT	2	M10	
40	12M7066	LOCK WASHER	2	10.200 MM	
41	M804476	STUD	2	(A)	
42	M804494	CAP	1	(R) SEALING (2WD)	
43	CH15010	RING	1	(4WD)	
44	M804479	GASKET	1		
45	.....	HOUSING	1	(R) (ORDER AM878756, M806677 AND M806678)	
	.....	HOUSING	1	(S) (ORDER AM878756)	
46	M804478	STUD	4	-140000	
	M805078	STUD	4	140001-	(A)
47	12M7069	LOCK WASHER	4	16.200 MM	
48	14M7276	NUT	4	M16	
49	CH16842	GASKET	1		
50	M804491	PLUG	1		
51	AM877772	COVER	1	(SUB FOR AM877482)	
	AM877978	COVER	1	(870 DRAFT SENSING VERSION)	
52	19M7358	CAP SCREW	4	M10 X 40 (HS, HEAD MARKED 10.9)	
	12M7066	LOCK WASHER	4	10.200 MM	
53	M804495	PLATE	1		
54	M801133	PIN	2		
55	M804484	COVER	1	REAR	
56	CH11572	PACKING	1		
57	CH13979	SEAL	1		
58	CH13506	BALL BEARING	1		
59	19M7162	CAP SCREW	2	M8 X 16	
	19M7881	SCREW	2	M8 X 20 (HS, HEAD MARKED 10.9) (870 DRAFT SENSING VERSION)	
	12M7065	LOCK WASHER	2	8.100 MM	
60	CH16781	STUD	2	(A)	
61	M804492	O-RING	1		
62	CH16382	PLUG	1	(A) (S) SEALING (2WD)	
..	AM878756	KIT	1	(S) TRANSMISSION HOUSING (INCLUDES PARTS MARKED (A)) (SUB FOR AM877481)	

NOTE: SEE SECTION 92 FOR 1070 CREEPER VERSION

(R) SN 870A -130023  
 (R) SN 870B -130791  
 (R) SN 970A -130018  
 (R) SN 970B -130580  
 (R) SN 1070 -130541

(S) SN 870A 130024-  
 (S) SN 870B 130792-  
 (S) SN 970A 130019-  
 (S) SN 970B 130581-  
 (S) SN 1070 130542-

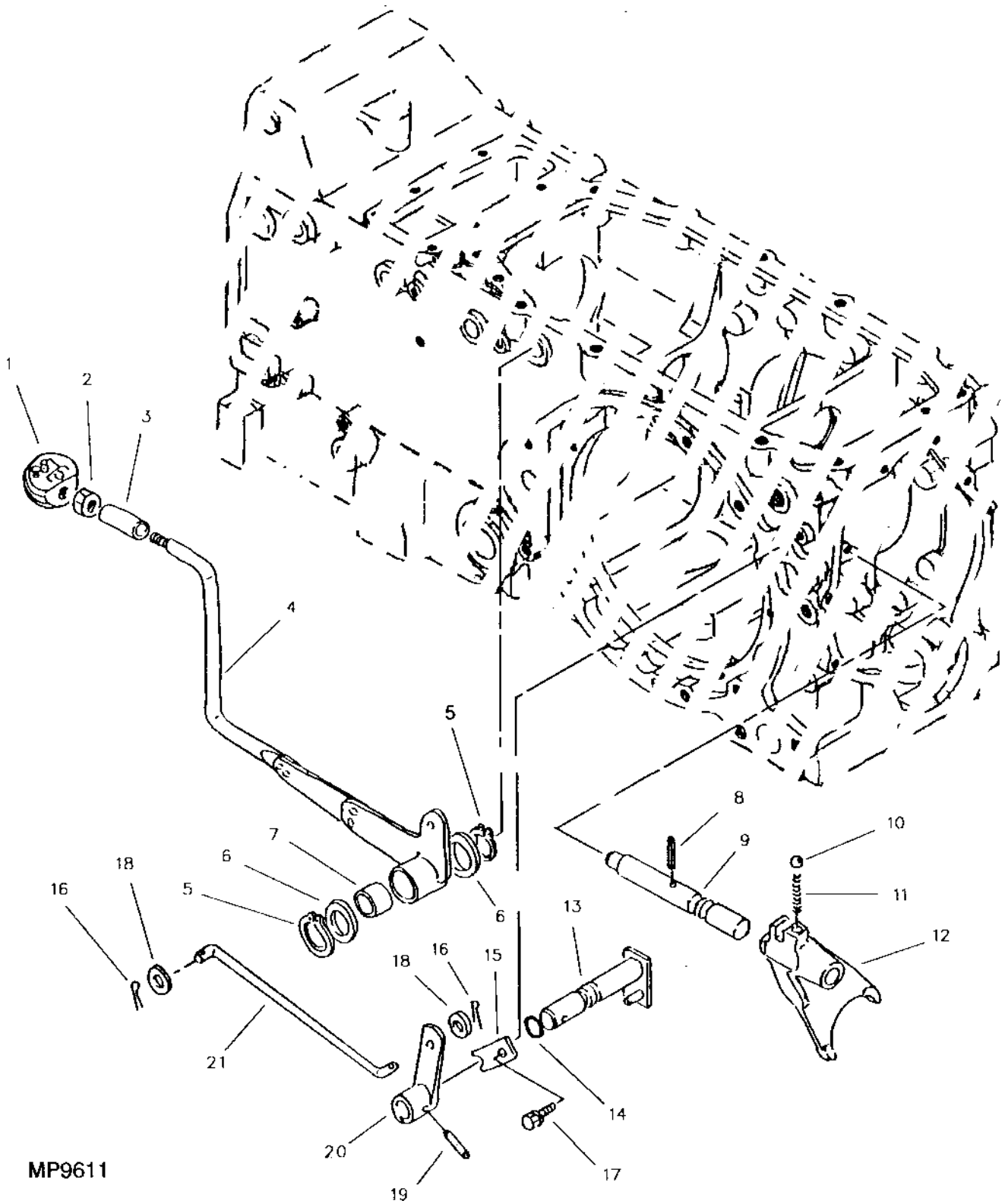
# 1E18

POWER TRAIN

MP9611

-UN-02JAN94

## PTO SHIFT LEVER



MP9611



## PTO SHIFT LEVER (CONTINUED)

KEY	PART NO.	PART NAME	QTY	SERIAL NO.	REMARKS
1	M803103	KNOB	1		
2	14M7274	NUT	1	M10	
3	M804604	TUBE	1	LEVER	
4	AM877497	LEVER	1	PTO	
5	40M7080	SNAP RING	2	(SUB FOR CH16769)	
6	CH11472	WASHER	2		
7	CH18577	BUSHING	1		
8	CH11501	PIN	1		
9	M804601	SHAFT	1	FORK PTO	
10	400R	BALL	1		
11	M804594	SPRING	1	FORK LOCK	
12	M804603	FORK	1	PTO SHIFT	
13	AM877734	ARM	1	PTO SHIFT, (SUB FOR AM877498)	
14	CH14926	PACKING	1		
15	M803114	PLATE	1		
16	11M7081	COTTER PIN	2	2.500 X 20 MM	
17	19M7162	CAP SCREW	1	M8 X 16	
	12M7065	LOCK WASHER	1	8.100 MM	
18	24M7028	WASHER	2	10.500 X 20 X 2 MM	
19	CH12304	PIN	1		
20	AM877499	ARM	1	CHANGE PTO	
21	M805210	ROD	1	REAR PTO	

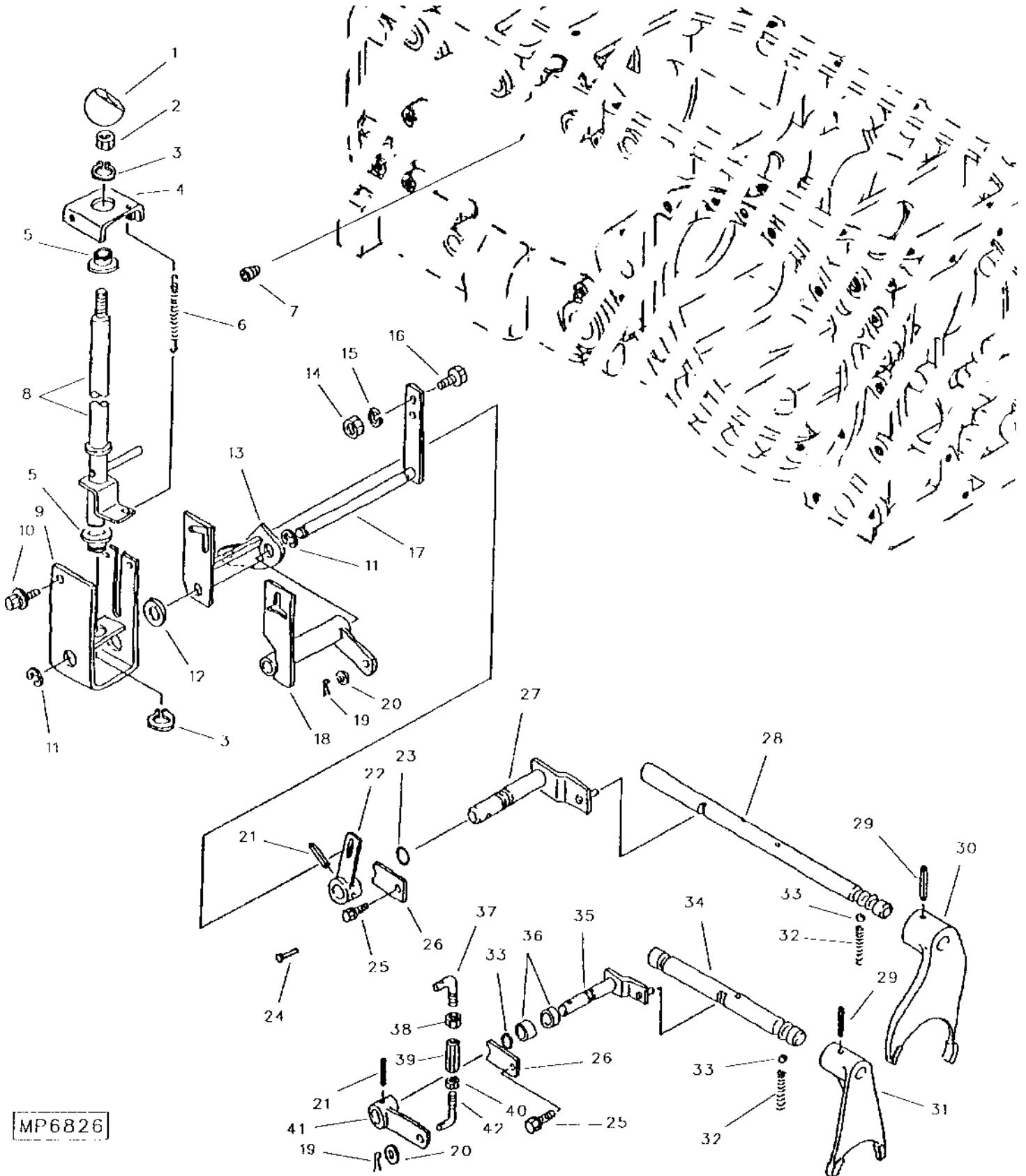
# 1E20

POWER TRAIN

MP6826

-UN-01JAN94

## RANGE SHIFT



MP6826

## RANGE SHIFT (CONTINUED)

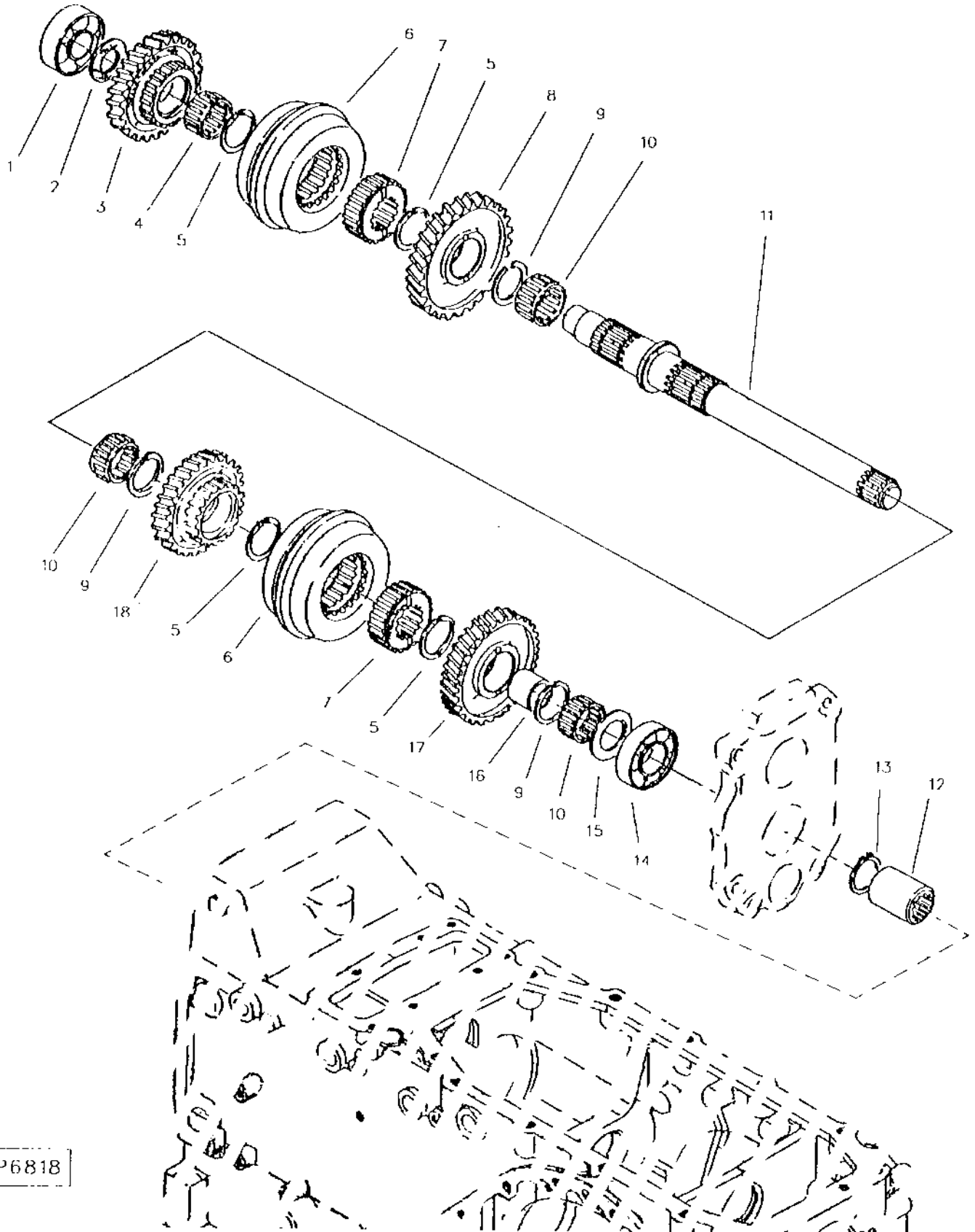
KEY	PART NO.	PART NAME	QTY	SERIAL NO.	REMARKS
1	M804589	KNOB	1		RANGE SHIFT
2	14M7274	NUT	1		M10
3	CH17291	RING	2		
4	AM877490	SUPPORT	1		
5	M804564	BUSHING	2		
6	M802990	SPRING	1		
7	15H558	PIPE PLUG	1		1/8"
8	AM877493	LEVER	1		SPEED
9	AM877489	SUPPORT	1		
10	19M7077	CAP SCREW	3		M6 X 20
	12M7006	LOCK WASHER	3		6.100 MM
	24M7054	WASHER	3		6.400 X 12 X 1.600 MM
11	CH17540	SNAP RING	2		
12	24M7053	WASHER	1		17 X 30 X 3 MM
13	AM877487	ARM	1		
14	14M7273	NUT	2		M8
15	12M7065	LOCK WASHER	2		8.100 MM
16	19M7881	SCREW	2		M8 X 20 (HS, HEAD MARKED 10.9)
17	AM877491	PIVOT	1		
18	AM877488	ARM	1		(1-N)
19	11M7081	COTTER PIN	2		2.500 X 20 MM
20	24M7028	WASHER	2		10.500 X 20 X 2 MM
21	CH12304	PIN	2		
22	AM877495	ARM	1		(3-2 CHANGE)
23	CH14926	PACKING	2		
24	CH10927	PIN	1		
25	19M7162	CAP SCREW	2		M8 X 16
	12M7065	LOCK WASHER	2		8.100 MM
26	M803114	PLATE	2		
27	AM877492	ARM	1		(3-2 SHIFT)
28	M806825	SHAFT	1		(SUB FOR M804586) (3-2 FORK)
29	CH11501	PIN	2		
30	M804582	FORK	1		(3-2 SPEED)
31	M804588	FORK	1		(1-N SPEED)
32	CH11208	SPRING	2		
33	R26552	BALL	2		
34	M804578	SHAFT	1		(1-N SHIFT)
35	AM877494	ARM	1		(1-N SHIFT)
36	M804562	BUSHING	2		
37	M804577	ROD	1		SPEED
38	14M7274	NUT	1		M10
39	M804563	TURNBUCKLE	1		
40	14M7228	NUT	1		M10
41	AM877496	ARM	1		(1-2 CHANGE PTO)
42	M802997	ROD	1		

# 1E22

MP6818

-UN-01JAN94

## DRIVEN SHAFT FOR SYNCHRO AND POWER STEERING



MP6818

## DRIVEN SHAFT FOR SYNCHRO AND POWER STEERING (CONTINUED)

KEY	PART NO.	PART NAME	QTY	SERIAL NO.	REMARKS
1	CH11554	BALL BEARING	1		
2	M804509	WASHER	1		
3	M804974	GEAR	1	46T	
4	M803053	NEEDLE BEARING	1		
5	M804511	RING	4		
6	AM878648	SYNCHRONIZER	2		(SUB FOR AM877483)
7	M804972	BUSHING	2		SPLINE
8	M804976	GEAR	1	53T	
9	M804513	RING	3		
10	CH16389	BEARING	3		NEEDLE
11	M804508	SHAFT	1		DRIVEN
12	M800830	BUSHING	1		
13	40M7084	SNAP RING	1		(SUB FOR CH11482)
14	CH14887	BALL BEARING	1		
15	M801135	WASHER	1		
16	M804512	BEARING	1		
17	M804975	GEAR	1	49T	
18	M804973	GEAR	1	44T	

NOTE: SEE SECTION 92 FOR 1070 CREEPER VERSION

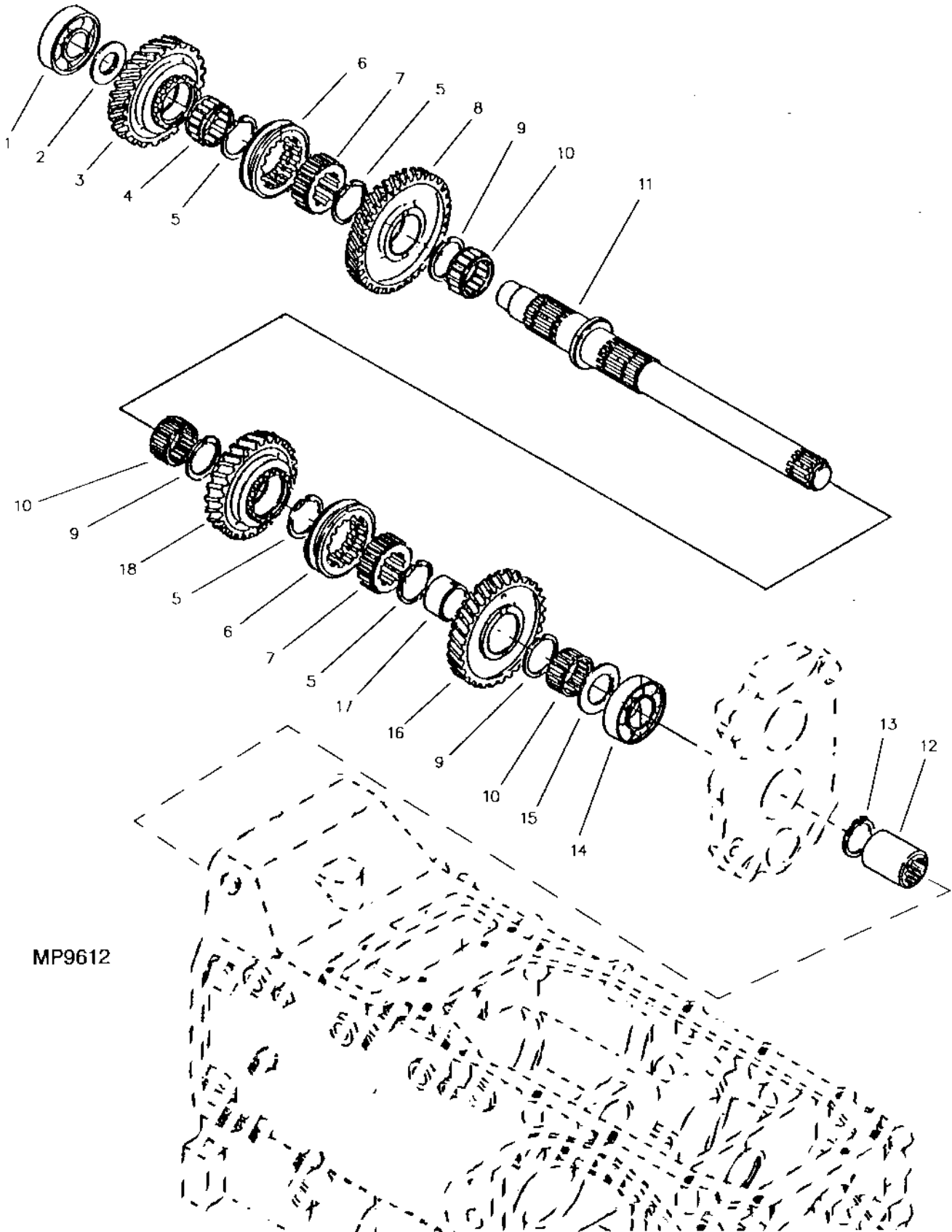
# 1E24

POWER TRAIN

MP9612

-UN-02JAN94

## DRIVEN SHAFT FOR COLLAR (870/970)



MP9612

# 1E25

POWER TRAIN

## DRIVEN SHAFT FOR COLLAR (870/970) - (CONTINUED)

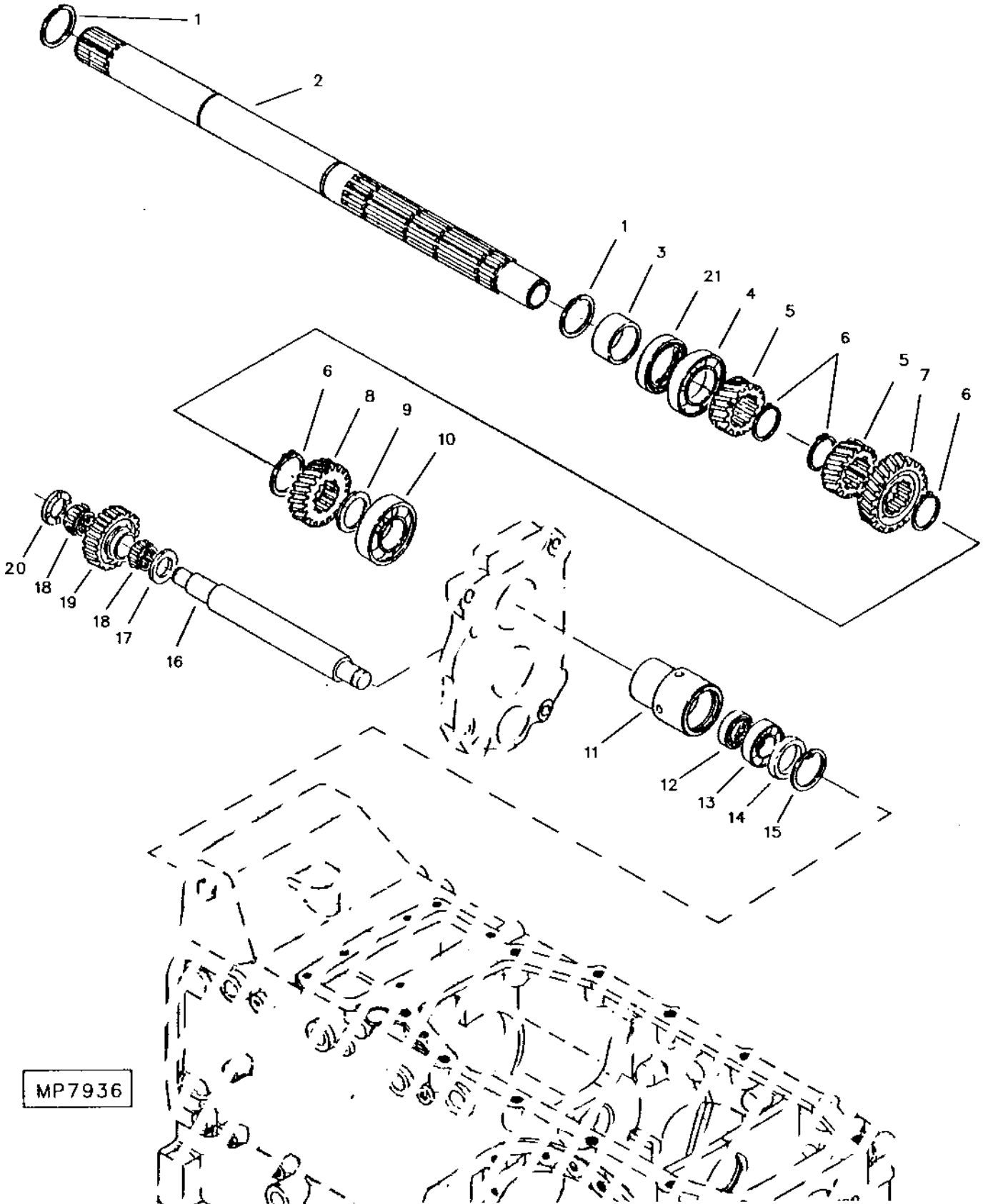
KEY	PART NO.	PART NAME	QTY	SERIAL NO.	REMARKS
1	CH11554	BALL BEARING	1		
2	M804509	WASHER	1		
3	M804505	GEAR	1	46T	
4	M803053	NEEDLE BEARING	1		
5	M804511	RING	4		
6	M803050	SHIFTER	2		
7	M804510	BUSHING	2	SPLINE	
8	M804507	GEAR	1	53T	
9	M804513	RING	3		
10	CH16389	BEARING	3	NEEDLE	
11	M804508	SHAFT	1	DRIVEN	
12	M800830	BUSHING	1		
13	40M7129	SNAP RING	1	(SUB FOR CH11482)	
14	CH14887	BALL BEARING	1		
15	M801135	WASHER	1		
16	M804506	GEAR	1	49T	
17	M804512	BEARING	1		
18	M804504	GEAR	1	44T	

# 1F1

MP7936

-UN-02JAN94

## MAIN SHAFT





# 1F2

## MAIN SHAFT (CONTINUED)

KEY	PART NO.	PART NAME	QTY	SERIAL NO.	REMARKS
1	CH17113	RING	2		
2	M804497	SHAFT	1		TOP
3	CH13092	LOCKING COLLAR	1		CLUTCH SHAFT
4	CH13506	BALL BEARING	1		
5	M804498	GEAR	2		21T
6	CH13489	SNAP RING	4		
7	M804500	GEAR	1		31T
8	M804499	GEAR	1		27T
9	M804503	WASHER	1		
10	CH14887	BALL BEARING	1		
11	M804501	CASE	1		OIL SEAL
12	CH13097	SEAL	1		
13	CH10564	BEARING	1		
14	M804502	WASHER	1		
15	40M7225	SNAP RING	1		(SUB FOR CH10530)
16	M804538	SHAFT	1		IDLE
17	M804536	WASHER	1		
18	M804535	NEEDLE BEARING	2		
19	M804537	GEAR	1		IDLE
20	M804539	BUSHING	1		
21	M805253	SEAL	1		

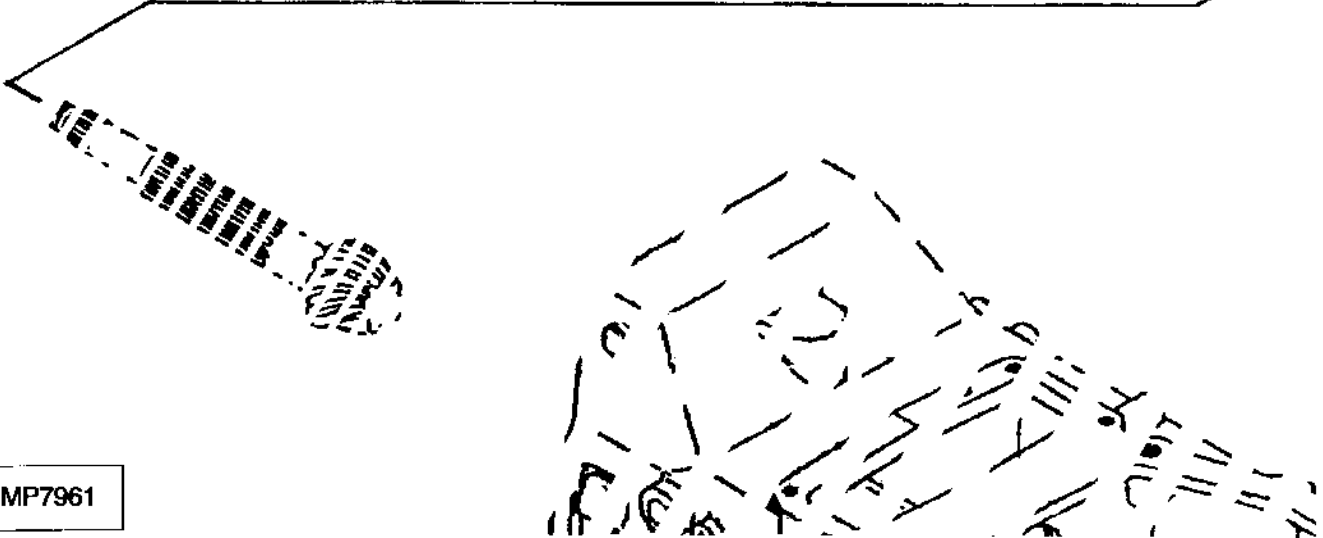
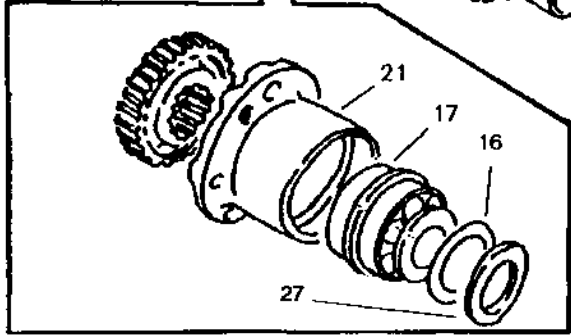
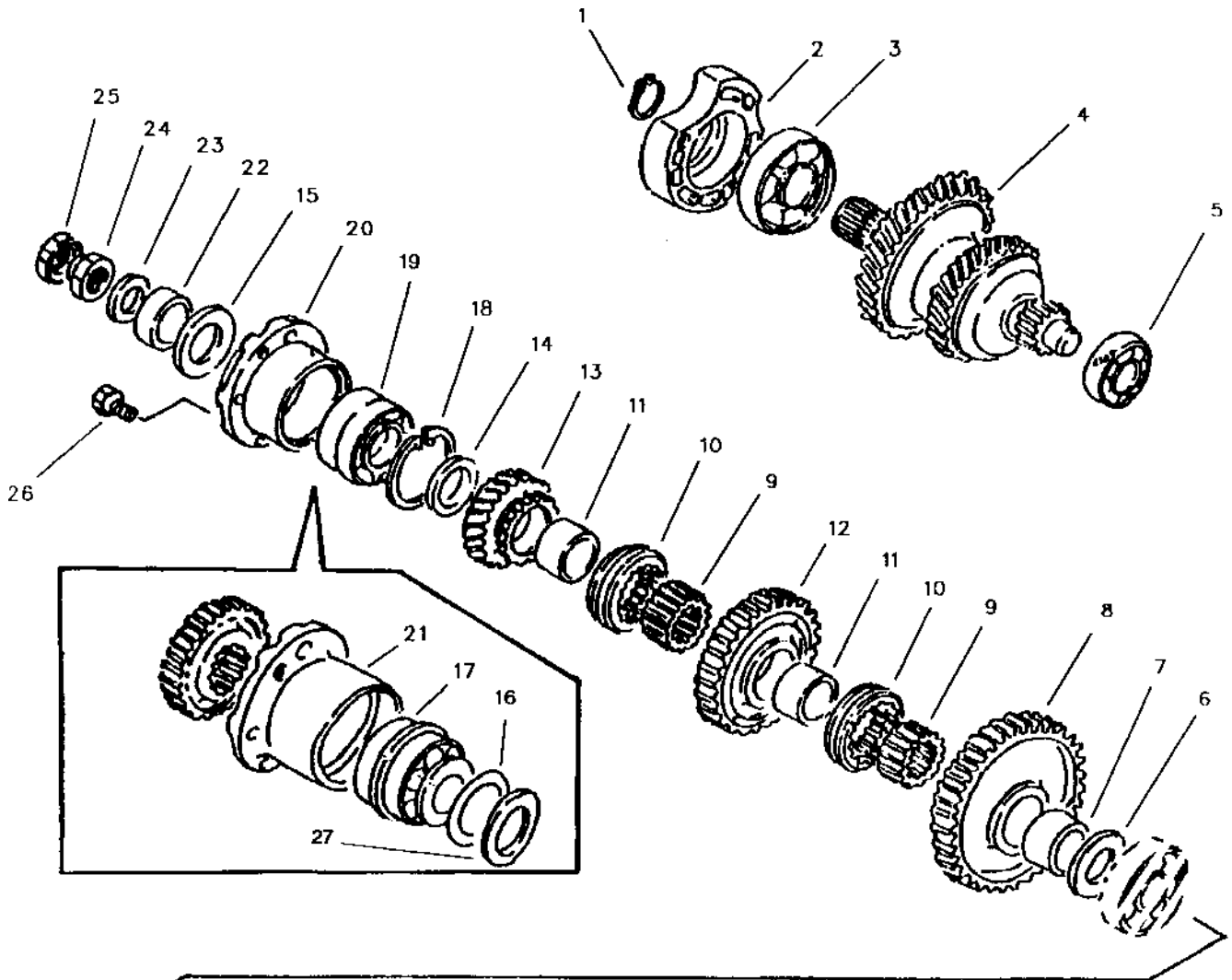
NOTE: SEE SECTION 92 FOR 1070 CREEPER VERSION

# 1F3

MP7961

-UN-09APR96

## BOTTOM SHAFT



MP7961

# 1F4

POWER TRAIN

## BOTTOM SHAFT (CONTINUED)

KEY	PART NO.	PART NAME	QTY	SERIAL NO.		REMARKS
					1	
					8 9 0	
					7 7 7	
					0 0 0	
1	40M7084	SNAP RING	1			(SUB FOR CH11482)
2	M804533	BUSHING	1			INNER
3	CH15035	BALL BEARING	1			CONNECTING
4	M804534	GEAR	1			REDUCTION
5	CH13511	BALL BEARING	1			PINION
6	CH17480	WASHER	1			
7	M804532	BUSHING	1			SEAL
8	M804527	GEAR	1			53T
9	M804510	BUSHING	2			
10	M803050	SHIFTER	2			
11	M804531	BUSHING	2	-140025	X	(SIMPLE) (SUB 806822)
	M806822	BUSHING	2	140026-	X	(SIMPLE)
	M804531	BUSHING	2	-140648	X	(DELUXE)
	M806822	BUSHING	2	140649-	X	(DELUXE)
	M804531	BUSHING	2	-140020	X	(SIMPLE)
	M806822	BUSHING	2	140021-	X	(SIMPLE)
	M804531	BUSHING	2	-140458	X	(DELUXE)
	M806822	BUSHING	2	140459-	X	(DELUXE)
	M804531	BUSHING	2	-140765	X	(1070)
	M806822	BUSHING	2	140766-	X	(1070)
12	AM878851	GEAR	1			(INCLUDES M806822) (SUB FOR M804526)
13	AM878850	GEAR	1			(INCLUDES M806822) (SUB FOR M804525)
14	M804529	WASHER	1		X X	
15	M801135	WASHER	1		X X	
16	M804519	SHIM	2		X	
17	CH13555	KIT	1		X	BEARING (INCLUDES BEARING AND CASE) (DISCARD CASE) (USE BEARING WITH M804521 CASE)
18	CH14669	SNAP RING	1		X X	
19	M804528	BEARING	1		X X	
20	M804520	CASE	1		X X	BEARING
21	M804521	CASE	1		X	BEARING
22	M804530	BUSHING	1			(W/O MFWD)
23	M803049	WASHER	1			
24	M803047	NUT	1			
25	M803048	NUT	1			
26	19M7163	CAP SCREW	5			M8 X 25
	12M7065	LOCK WASHER	5			8.100 MM
27	M801135	WASHER	1		X	

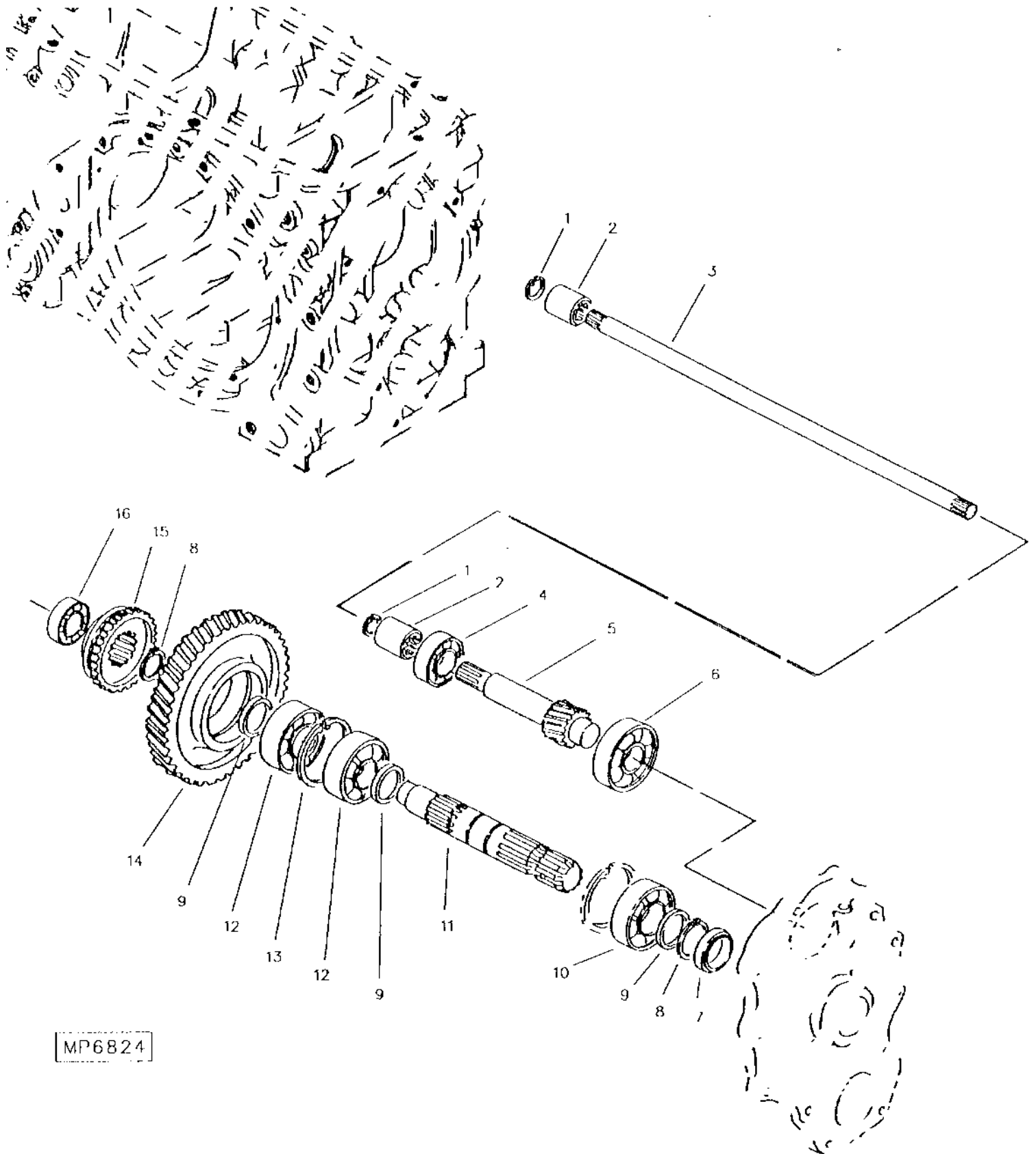
NOTE: SEE SECTION 92 FOR 1070 CREEPER VERSION

# 1F5

MP6824

-UN-01JAN94

## PTO SHAFT



MP6824

# 1F6

POWER TRAIN

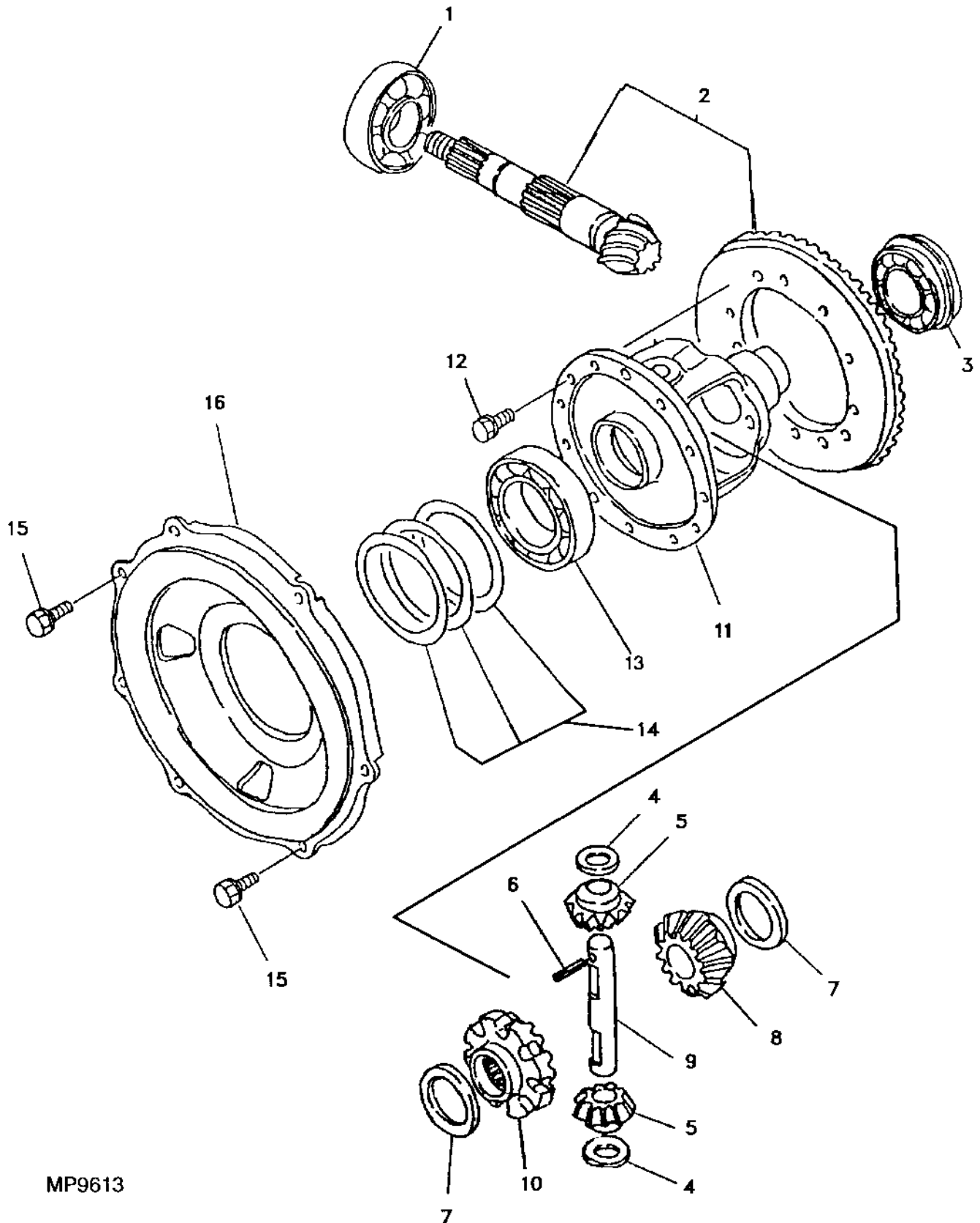
## PTO SHAFT (CONTINUED)

KEY	PART NO.	PART NAME	QTY	SERIAL NO.	REMARKS
1	CH13492	SNAP RING	2		
2	CH13718	BUSHING	2		INNER
3	M804540	SHAFT	1		CONNECTING
4	CH13511	BALL BEARING	1		
5	M804541	PINION SHAFT	1		PINION
6	JD7689	BALL BEARING	1		(SUB FOR CH14972)
7	CH10959	SPACER	1		
8	CH13489	SNAP RING	2		
9	M800529	WASHER	3		
10	JD9344	BALL BEARING	1		(SUB FOR CH14627)
11	M804543	SHAFT	1		PTO
12	CH14977	BALL BEARING	2		
13	CH14669	SNAP RING	1		
14	M804544	GEAR	1		PTO
15	M804542	GEAR	1		PTO ENGAGING
16	CH11550	BALL BEARING	1		

# 1F7

MP9613 -UN-02JAN94

## DIFFERENTIAL DRIVE GEAR (870)



MP9613

# 1F8

POWER TRAIN

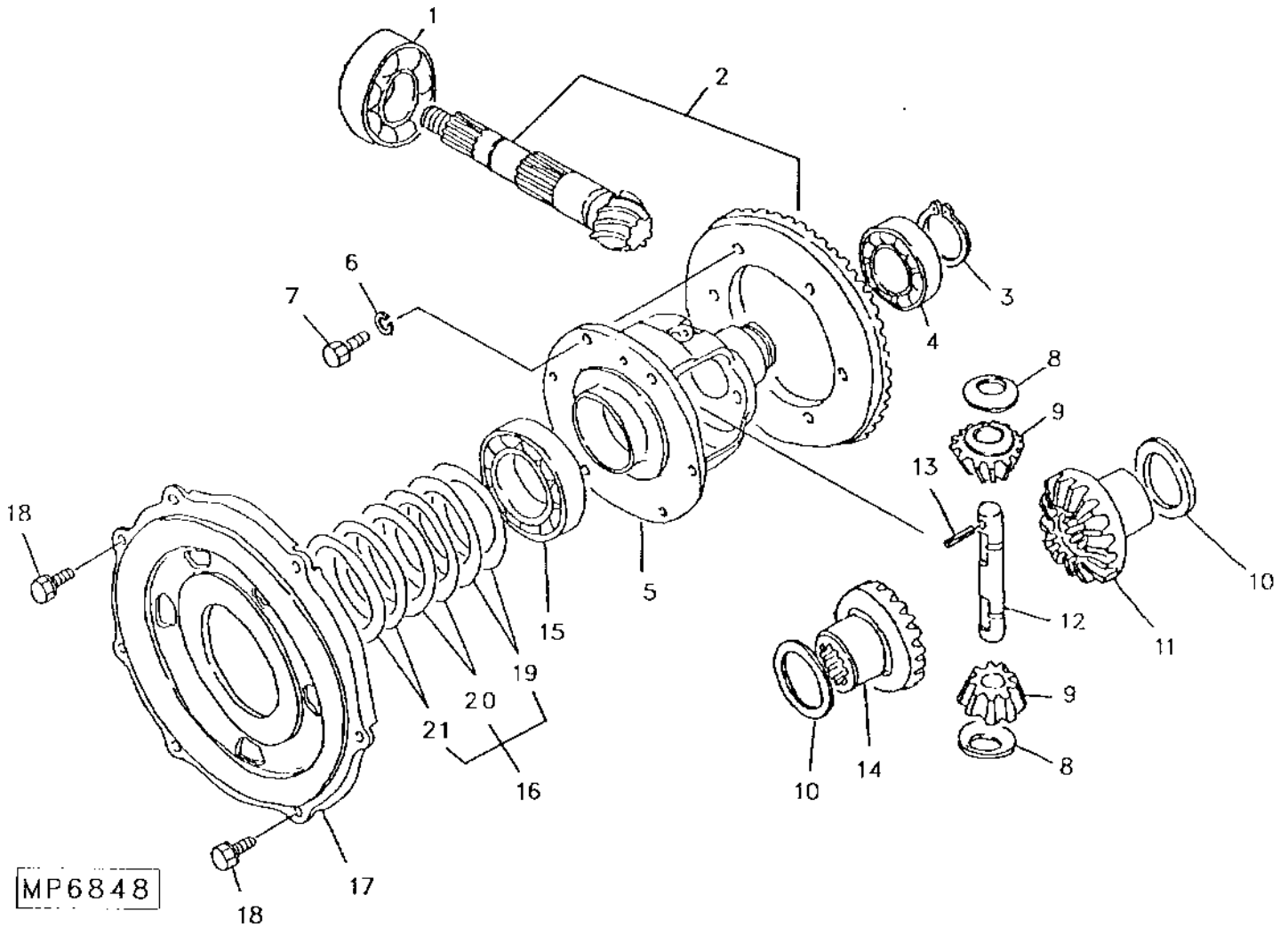
## DIFFERENTIAL DRIVE GEAR (870) (CONTINUED)

KEY	PART NO.	PART NAME	QTY	SERIAL NO.	REMARKS
1	M804620	BEARING	1		
2	AM877502	GEAR	1		RING
3	M804642	BEARING	1		
4	M804638	WASHER	2		
5	M804634	PINION	2		DIFFERENTIAL
6	34M7035	SPRING PIN	1		5 X 40 MM
7	M804628	WASHER	2		SIDE GEAR
8	M804626	GEAR	1		RH DIFFERENTIAL
9	M804635	SHAFT	1		DIFFERENTIAL PINION
10	M804625	GEAR	1		LH DIFFERENTIAL
11	M804640	HOUSING	1		DIFFERENTIAL
12	19M7881	SCREW	12		M8 X 20 (HS, HEAD MARKED 10.9)
	12M7065	LOCK WASHER	12		8.100 MM
13	JD9292	BALL BEARING	1		(SUB FOR M804641)
14	AM877505	SHIM	1		
15	19M7163	CAP SCREW	7		M8 X 25
	12M7065	LOCK WASHER	7		8.100 MM
16	M804643	PLANET PINION CARRIER	1		DIFFERENTIAL

# 1F9

MP6848 -UN-01JAN94

## DIFFERENTIAL DRIVE GEAR (970/1070)





# 1F10

POWER TRAIN

## DIFFERENTIAL DRIVE GEAR (970/1070) (CONTINUED)

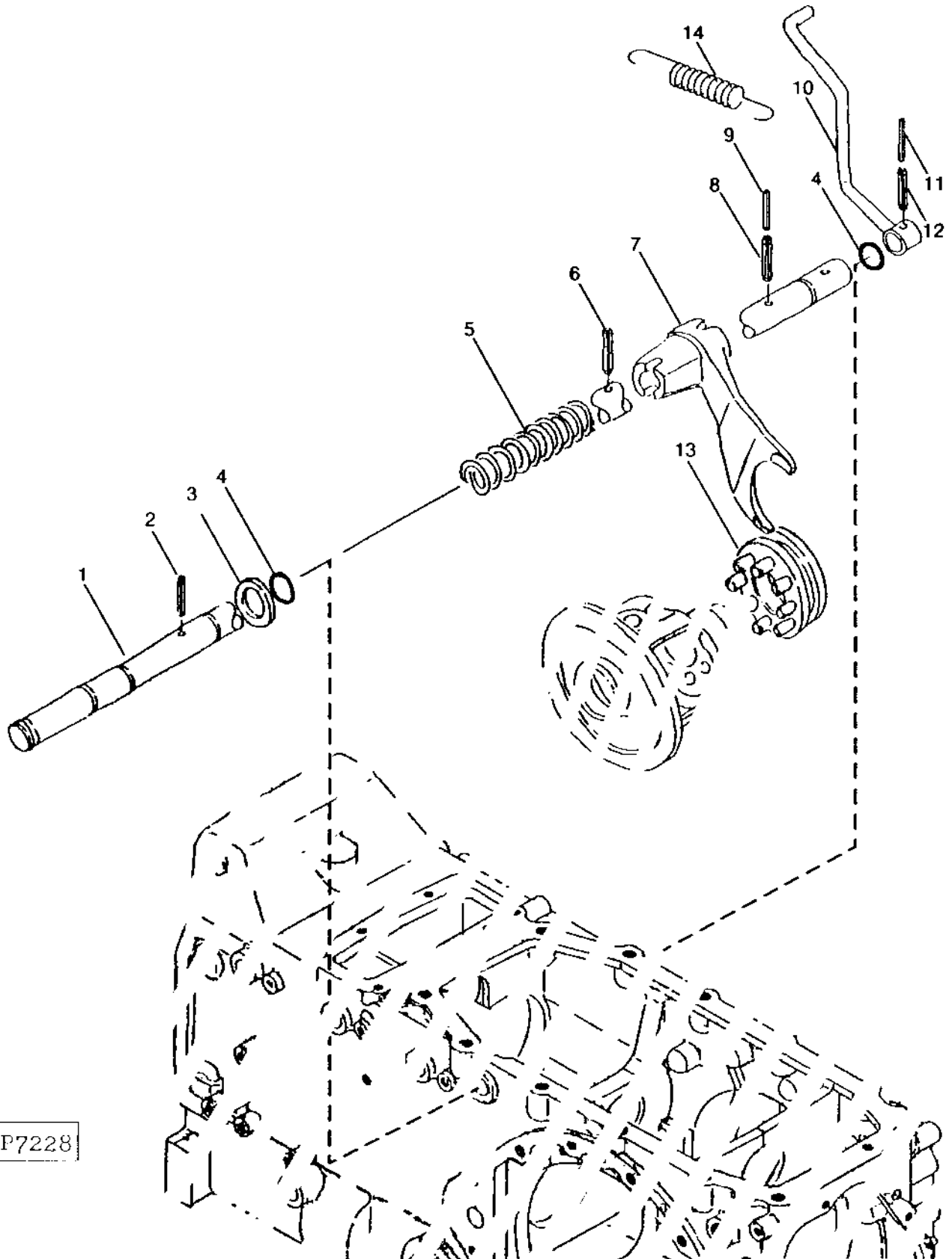
KEY	PART NO.	PART NAME	QTY	SERIAL NO.	REMARKS
				1	
				9 0	
				7 7	
				0 0	
1	M804620	BEARING	1		
2	AM877503	KIT	1	X	RING AND PINION GEAR
	AM877504	KIT	1	X	RING AND PINION GEAR
3	40M7166	SNAP RING	1		(SUB FOR CH11485)
4	CH14693	BALL BEARING	1		
5	CH11222	HOUSING	1	X	(SUB FOR CH11223) DIFFERENTIAL
	M804639	HOUSING	1	X	
6	12M7066	LOCK WASHER	6		10.200 MM
7	CH12378	SCREW	6	X	
	CH13568	BOLT	6	X	
8	M804632	WASHER	2	X	DIFFERENTIAL PINION
	M804633	WASHER	2	X	DIFFERENTIAL PINION
9	M804630	PINION	2	X	DIFFERENTIAL
	M804631	PINION	2	X	DIFFERENTIAL
10	M804628	WASHER	2	X	SIDE GEAR
	M804627	WASHER	2	X	SIDE GEAR
11	CH11218	GEAR	1	X	DIFFERENTIAL
	M804629	GEAR	1	X	DIFFERENTIAL
12	M804636	SHAFT	1	X	DIFFERENTIAL PINION
	M804637	SHAFT	1	X	DIFFERENTIAL PINION
13	CH12305	PIN	1	X	
	CH13484	SPRING PIN	1	X	
14	CH11219	PINION	1	X	DIFFERENTIAL
	CH13119	STEERING GEAR	1	X	DIFFERENTIAL FREE
15	CH11552	BALL BEARING	1		
16	CH17510	SHIM	1		
17	M804644	PLANET PINION CARRIER	1		DIFFERENTIAL
18	19M7163	CAP SCREW	7		M8 X 25
	12M7065	LOCK WASHER	7		8.100 MM
19	.....	SHIM	1		(ORDER CH17510)
20	.....	SHIM	1		(ORDER CH17510)
21	.....	SHIM	1		(ORDER CH17510)

# 1F11

MP7228

-UN-02JAN94

## DIFFERENTIAL LOCK



MP7228

# 1F12

POWER TRAIN

## DIFFERENTIAL LOCK (CONTINUED)

KEY	PART NO.	PART NAME	QTY	SERIAL NO.	REMARKS
				1 8 9 0 7 7 7 0 0 0	
1	M804657	SHAFT	1	X	DIFFERENTIAL LOCK
	M804658	DIFFERENTIAL LOCK	1	X X	
2	CH12304	PIN	1		
3	CH15024	WASHER	1		
4	CH17159	PACKING	2		
5	CH15030	COMPRESSION SPRING	1		
6	CH13851	PIN	1		
7	M804659	DIFFERENTIAL	1		
8	34M7047	SPRING PIN	1		8 X 40 MM
9	34M7035	SPRING PIN	1		5 X 40 MM
10	AM877506	PEDAL	1		DIFFERENTIAL LOCK
11	CH13500	SPRING PIN	1		
12	CH13851	PIN	1		
13	CH10946	LOCKING COLLAR	1	X X	
	CH13377	LOCKING COLLAR	1	X	
14	M805064	EXTENSION SPRING	1		

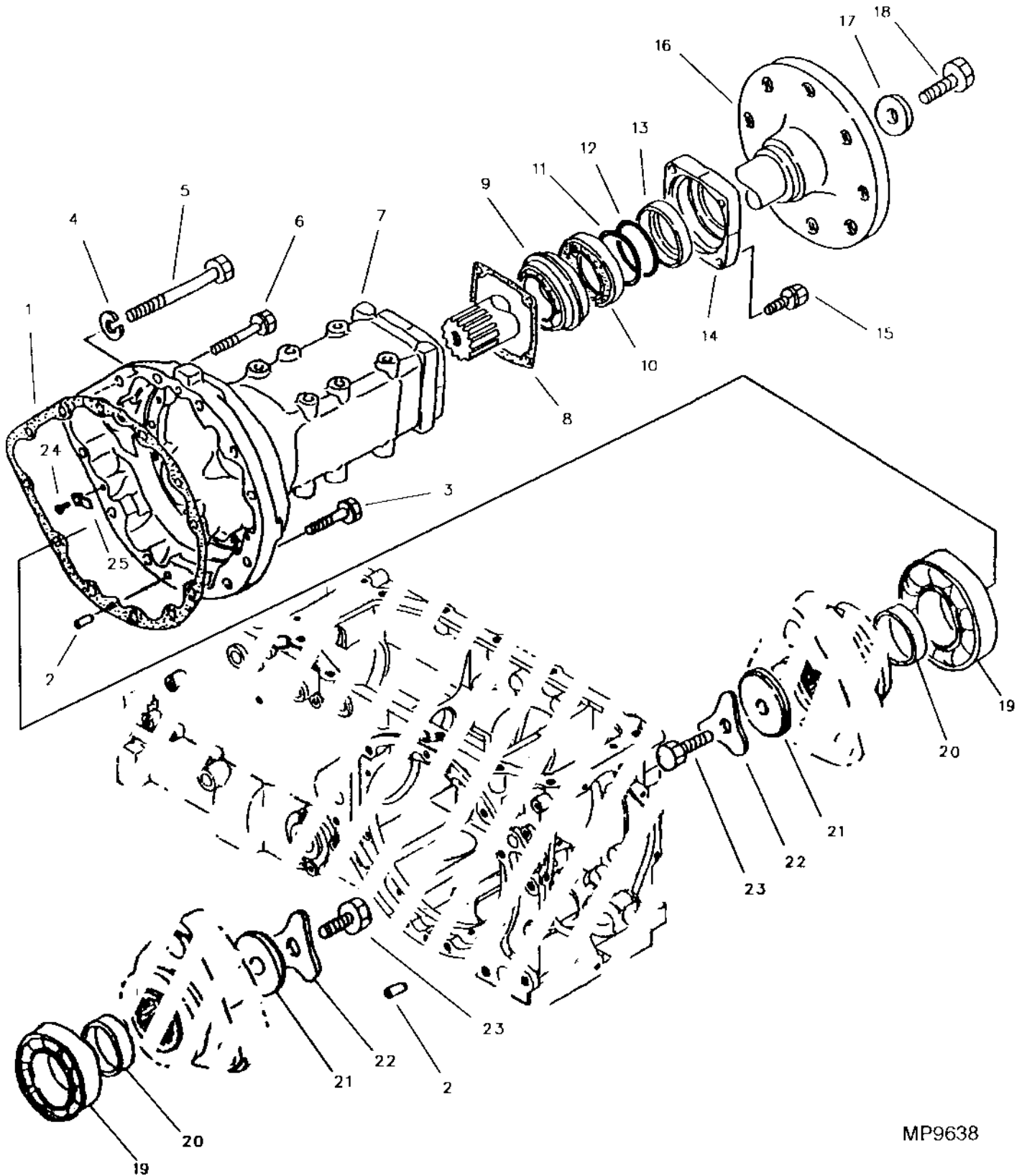
# 1F13

POWER TRAIN

MP9638

-UN-02JAN94

## REAR HOUSING (870/970)



MP9638

# 1F14

POWER TRAIN

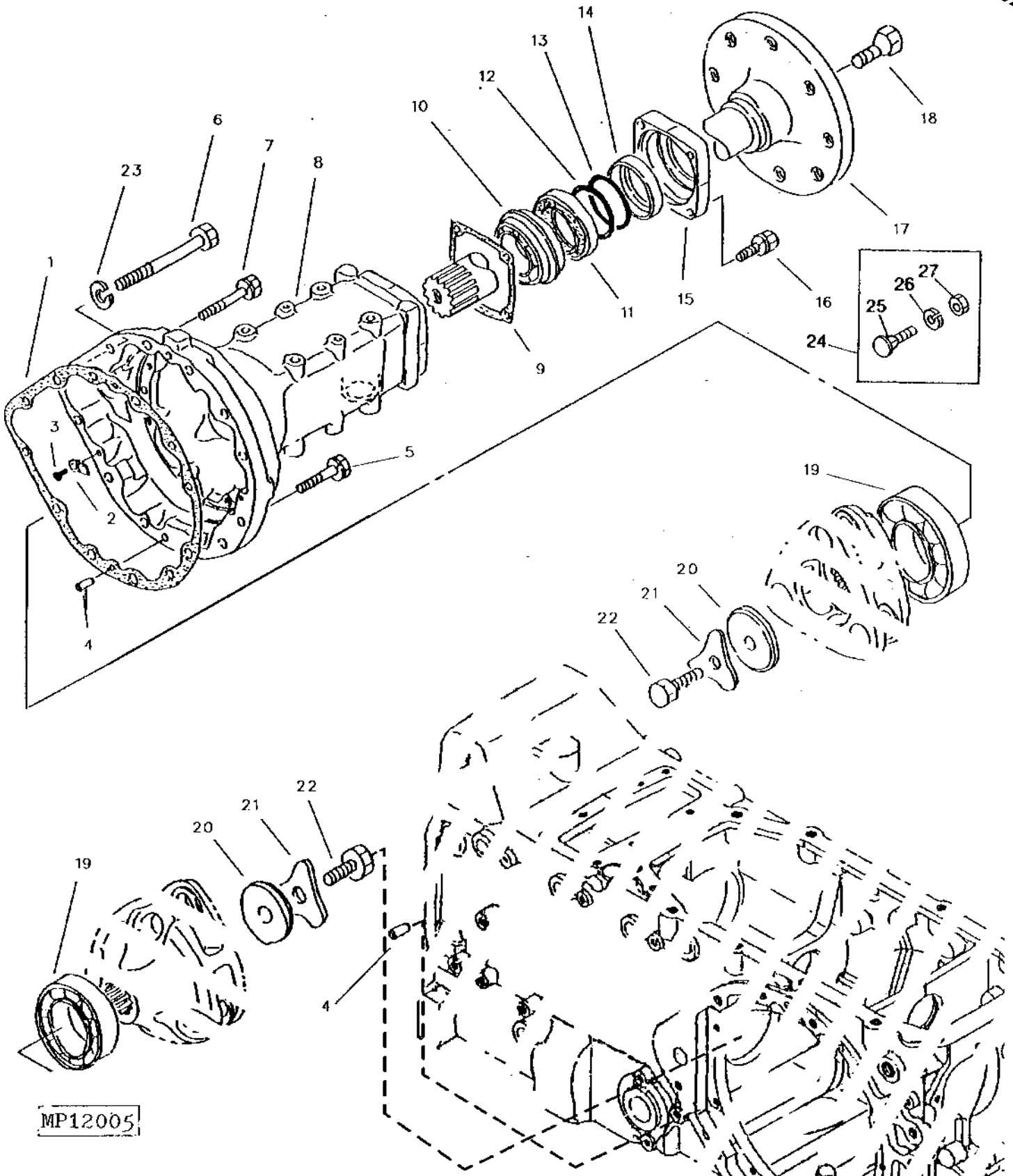
## REAR HOUSING (870/970) (CONTINUED)

KEY	PART NO.	PART NAME	QTY	SERIAL NO.	REMARKS
				8 9	
				7 7	
				0 0	
1	M804652	GASKET	2		
2	CH14795	PIN	4		
3	19M7493	CAP SCREW	16		M12 X 40 (HS, HEAD MARKED 10.9)
	12M7067	LOCK WASHER	16		12.200 MM
4	12M7066	LOCK WASHER	2		10.200 MM, (SUB FOR CH11476)
5	CH12370	BOLT	2		
6	19M7073	CAP SCREW	4		M12 X 50
	12M7067	LOCK WASHER	4		12.200 MM
7	M804648	HOUSING	2	X	
	M804649	HOUSING	2	X	
8	CH10969	GASKET	2		
9	CH10965	BALL BEARING	2		
10	CH11329	SEAL	2		
11	CH12621	SPACER	2		
12	CH11436	PACKING	2		
13	CH12573	SPACER	2		
14	CH11059	QUILL	2		
15	19M7163	CAP SCREW	8		M8 X 25
	12M7065	LOCK WASHER	8		8.100 MM
16	M804686	SHAFT	2		
17	CH14118	LOCK WASHER	16		
18	CH18214	BOLT	16		STANDARD HEX HEAD
	CH13899	WHEEL BOLT	16	X	TAPERED
19	CH14693	BALL BEARING	2		
20	M804685	WASHER	2		
21	M804688	WASHER	2		
22	M804690	WASHER	2		
23	M804689	BOLT	2		
24	M804656	RIVET	3		
25	M804651	PLATE	3		

# 1F15

MP12005 -UN-01JAN94

## REAR HOUSING (1070)



# 1F16

POWER TRAIN

## REAR HOUSING (1070) (CONTINUED)

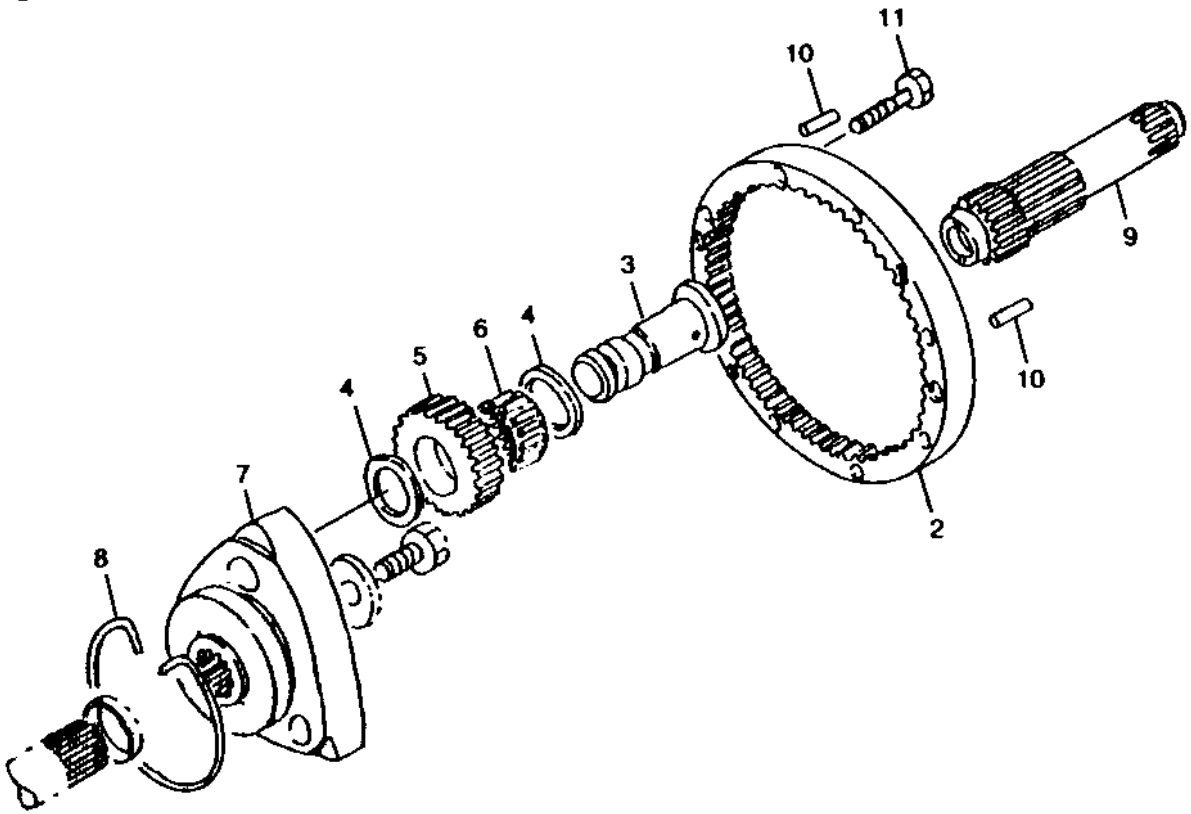
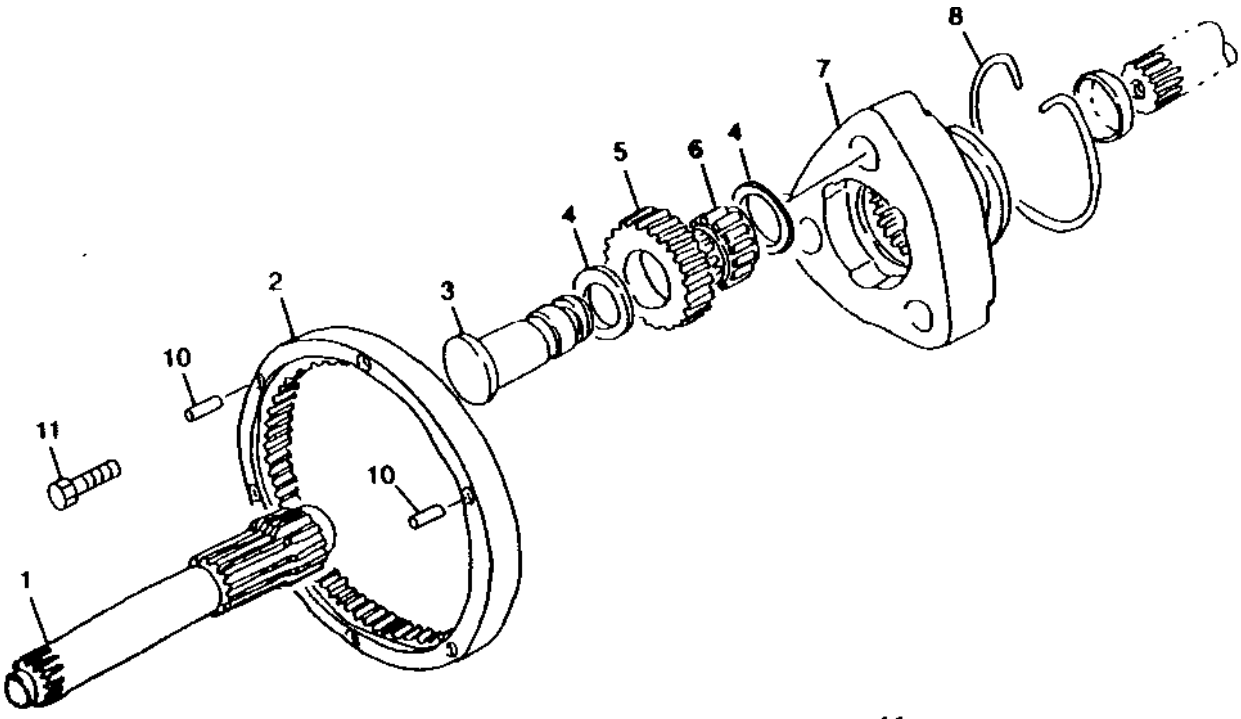
KEY	PART NO.	PART NAME	QTY	SERIAL NO.	REMARKS
1	M804652	GASKET	2		REAR HOUSING
2	M804651	PLATE	3		PUSH
3	M804656	RIVET	3		
4	CH14795	PIN	4		
5	19M7168	CAP SCREW	16	M10 X 30	
	12M7067	LOCK WASHER	16	12.200 MM	
6	CH12370	BOLT	2		
7	19M7073	CAP SCREW	4	M12 X 50	
	12M7067	LOCK WASHER	4	12.200 MM	
8	M804650	HOUSING	2		REAR
9	M805672	GASKET	2		HOUSING, (SUB FOR M804654)
10	CH11553	BALL BEARING	2		
11	M804655	SEAL	2		
12	CH11246	RING	2		
13	CH11571	PACKING	2		
14	CH11243	BUSHING	2		SEAL
15	M804653	HOUSING	2		OIL SEAL
16	19M7168	CAP SCREW	8	M10 X 30	
	12M7066	LOCK WASHER	8	10.200 MM	
17	M804687	SHAFT	2		REAR
18	CH13899	WHEEL BOLT	16		TAPERED
	CH18214	BOLT	16		STANDARD HEX HEAD
	CH14118	LOCK WASHER	16		
19	JD9292	BALL BEARING	2		(SUB FOR M804641)
20	M804688	WASHER	2		
21	M804690	WASHER	2		REAR SHAFT
22	M804689	BOLT	2		
23	12M7066	LOCK WASHER	2	10.200 MM	
24	AM878051	KIT	1		BOLT
25	M805707	SCREW	8	M16 X 70	
26	M805709	LOCK WASHER	8		
27	M805708	NUT	8		

# 1F17

MP9584

-UN-02JAN94

## FINAL GEAR (870/970)



MP9584



# 1F18

POWER TRAIN

## FINAL GEAR (870/970) (CONTINUED)

KEY	PART NO.	PART NAME	QTY	SERIAL NO.	8 9	REMARKS
					7 7	
					0 0	
1	M804662	PINION	1		X	RH
	M804664	PINION	1		X	RH
2	M804680	GEAR	2		X	
	M804681	GEAR	2		X	
3	M804671	SHAFT	6		X	
	M804672	SHAFT	6		X	
4	M804679	WASHER	12			
5	M804668	PINION	6		X	
	M804669	PLANET PINION	6		X	
6	M804678	NEEDLE BEARING	6		X	
	M804676	NEEDLE BEARING	6		X	
7	M804675	PLANET PINION CARRIER	2			
8	M804684	RING	2			
9	M804663	PINION	1		X	LH
	M804665	PINION	1		X	LH
10	CH14795	PIN	4			
11	19M7550	CAP SCREW	16		X	M10 X 35 (HS, HEAD MARKED 10.9)
	19M7180	CAP SCREW	16		X	M10 X 45



# 1F20

POWER TRAIN

## FINAL GEAR (1070) (CONTINUED)

KEY	PART NO.	PART NAME	QTY	SERIAL NO.	REMARKS
1	M804666	PINION	1		RH
2	CH14795	PIN	4		
3	M804682	GEAR	2		INTERNAL
4	19M7383	CAP SCREW	16		M10 X 55
5	M804673	SHAFT	6		PLANETARY
6	34M7047	SPRING PIN	6		8 X 40 MM
7	M804683	WASHER	12		
8	M804674	NEEDLE ROLLER	63		
9	M804670	PLANET PINION	6		
10	M804677	PLANET PINION	2		
11	M804667	PINION	1		LH
12	M804674	NEEDLE ROLLER	63		

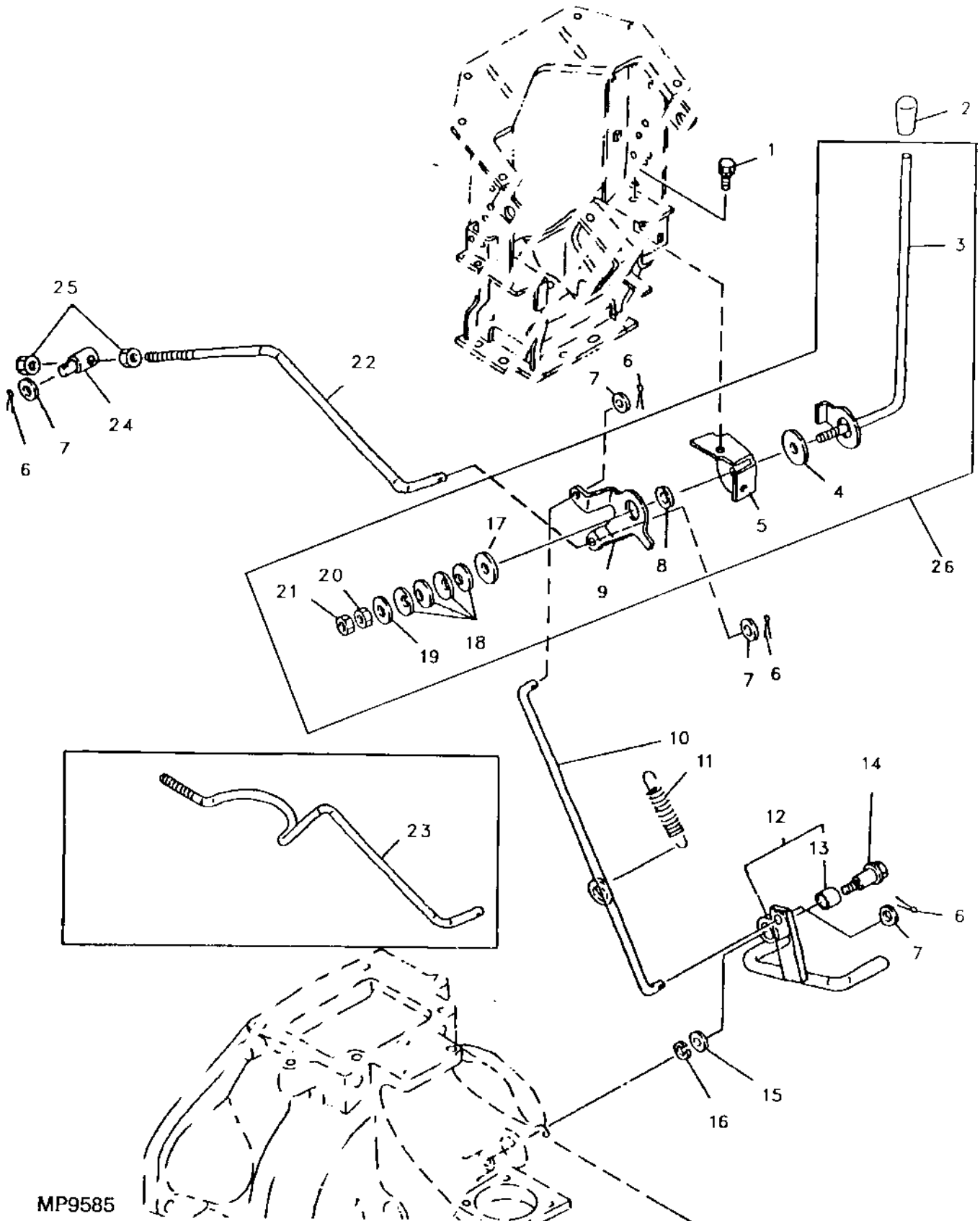
# 1F21

POWER TRAIN

MP9585

-UN-02JAN94

## ACCELERATOR LEVER



MP9585

# 1F22

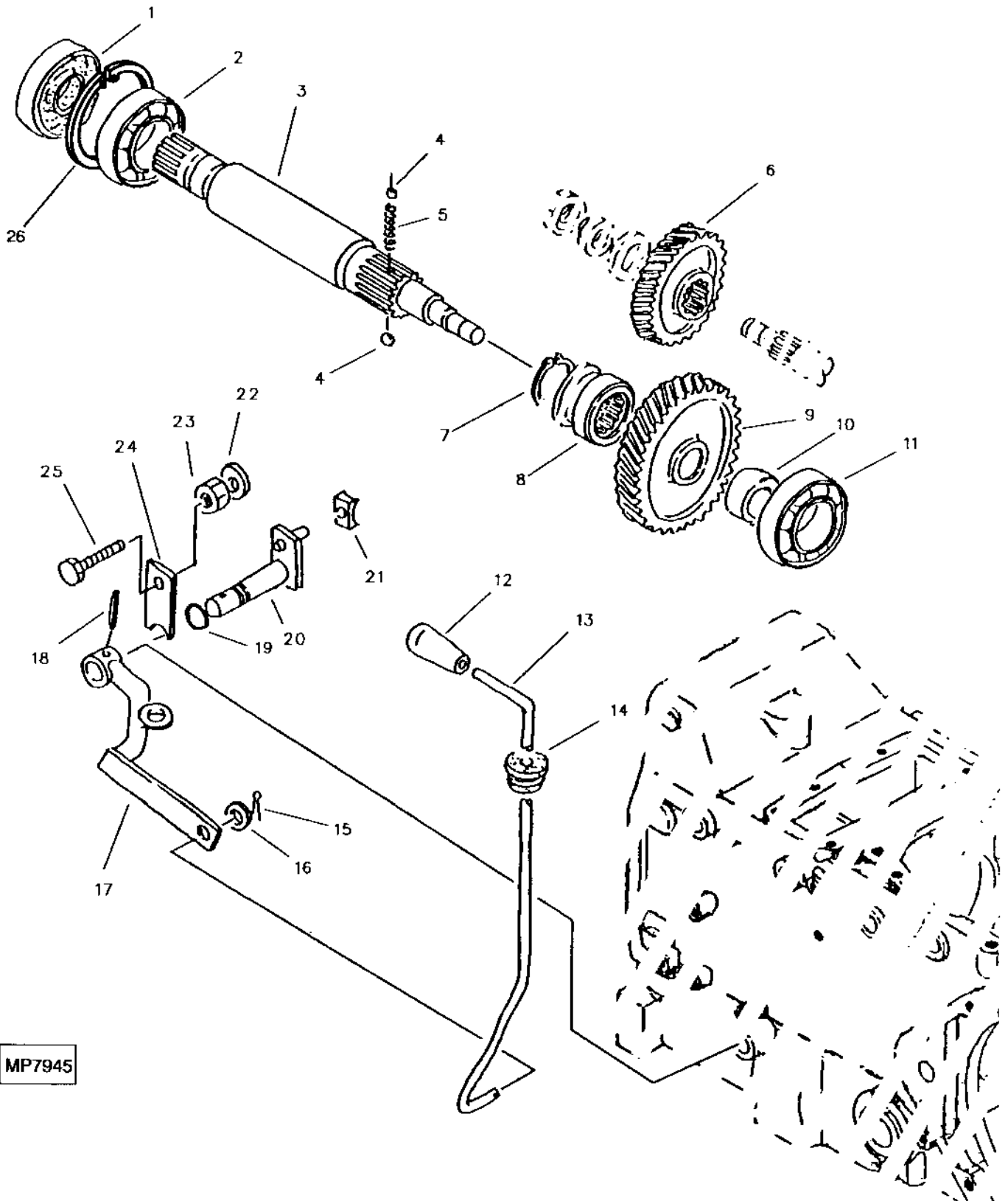
## ACCELERATOR LEVER (CONTINUED)

KEY	PART NO.	PART NAME	QTY	SERIAL NO.	REMARKS
				1	
				8 9 0	
				7 7 7	
				0 0 0	
1	19M7162	CAP SCREW	2		M8 X 16
	12M7065	LOCK WASHER	2		8.100 MM
2	CH13278	KNOB	1		ACCELERATOR LEVER
3	.....	CONTROL LEVER	1		(ORDER AM878163)
4	M804267	PLATE	1		
5	.....	BRACKET	1		LEVER, (ORDER AM878163)
6	11M7081	COTTER PIN	4		2.500 X 20 MM
7	24M7055	WASHER	4		8.400 X 16 X 1.600 MM
8	CH11883	WASHER	1		
9	.....	LEVER	1		ACCELERATOR, (ORDER AM878163)
10	AM877093	ROD	1		FOOT CONTROL
11	CH13481	EXTENSION SPRING	1		ACCELERATOR RETURN
12	AM877091	PEDAL	1		FOOT
13	M804025	BUSHING	1		
14	M804027	BOLT	1		
15	24M7028	WASHER	1		10.500 X 20 X 2 MM
16	12M7066	LOCK WASHER	1		10.200 MM
17	24M7178	WASHER	1		10.500 X 30 X 2.500 MM
18	CH11981	WASHER	4		
19	CH12620	WASHER	1		
20	M802742	LOCK NUT	1		
21	14M7274	NUT	1		M10
22	M803997	ROD	1	X	ACCELERATOR LINK
23	M804001	ROD	1	X X	ACCELERATOR LINK
24	CH11884	SWIVEL	1		
25	14M7273	NUT	2		M8
26	AM878163	KIT	1		ACCELERATOR LEVER

# 1F23

MP7945 -UN-02JAN94

## MECHANICAL FRONT DRIVE AND LEVER



MP7945

MECHANICAL FRONT DRIVE AND LEVER (CONTINUED)

KEY	PART NO.	PART NAME	QTY	SERIAL NO.	REMARKS
1	CH13979	SEAL	1		
2	CH13506	BALL BEARING	1		
3	M804607	SHAFT	1		(A) (B) (C) FRONT DRIVE, (SUB M805795, M805796, M805797 AND M806824)
4	M806824 400R	DRIVE SHAFT BALL	1 2	140001-	(D) (E) (F) FRONT DRIVE, (SUB FOR M805795)
5	M804610	COMPRESSION SPRING	1		
6	M804609	PINION	1		DRIVE
7	CH13489	SNAP RING	1	-140000	
8	M804608	GEAR	1		(A) (B) (C) (SUB M805796, M805795, M805797 AND M806824)
	M805796	GAUGE	1		(D) (E) (F)
9	M804611	GEAR	1		(A) (B) (C) (SUB M805797, M805795, M805796 AND M806824)
	M805797	GEAR	1		(D) (E) (F)
10	M804612	BUSHING	1		
11	M804606	BALL BEARING	1		
12	CH13278	KNOB	1		ACCELERATOR LEVER
13	M804613	LEVER	1		FRONT SHIFT
14	M804619	GUIDE	1		FRONT SHIFT
15	11M7081	COTTER PIN	1		2.500 X 20 MM
16	24M7028	WASHER	1		10.500 X 20 X 2 MM
17	AM877500	ARM	1		FRONT CHANGE
18	CH12304	PIN	1		
19	CH14926	PACKING	1		
20	AM877501	ARM	1		FRONT SHIFT
21	M803694	SHIFTER	1		
22	24M7055	WASHER	1		8.400 X 16 X 1.600 MM
23	14M7273	NUT	1		M8
24	M803114	PLATE	1		
25	19M7164	CAP SCREW	1		M8 X 50
26	CH15010	SNAP RING	1		
..	M803817	SPRING	1		

(A) 870B (SN -103924)  
(D) 870B (SN 103925-140000)

(B) 970B (SN -103340)  
(E) 970B (SN 103341-140000)

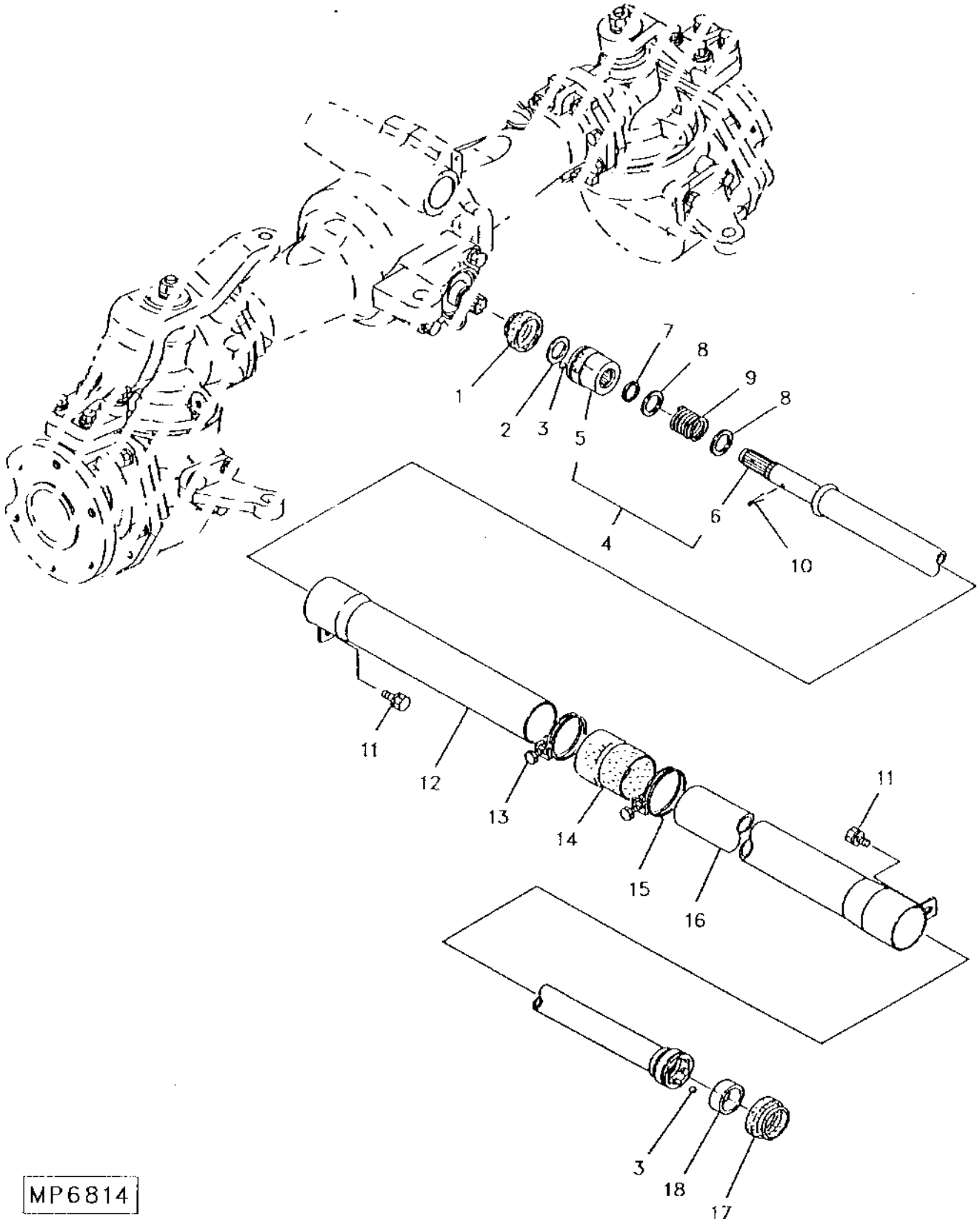
(C) 1070 (SN -103967)  
(F) 1070 (SN 103968-140000)

# 1G1

MP6814

-UN-01JAN94

## DRIVE SHAFT (870 MFWD)



MP6814



# 1G2

POWER TRAIN

## DRIVE SHAFT (870 MFWD)

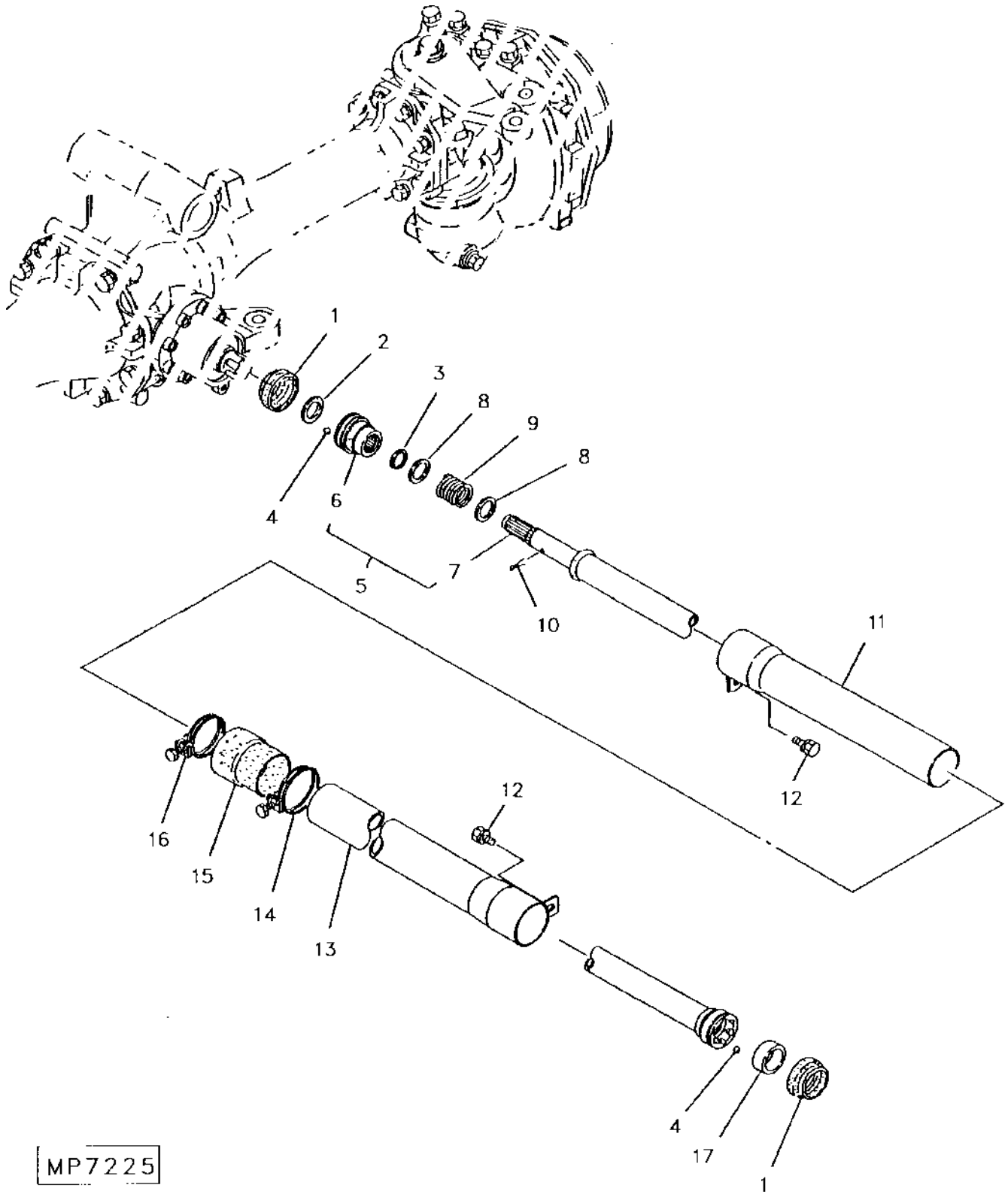
KEY	PART NO.	PART NAME	QTY	SERIAL NO.	REMARKS
1	M801916	BOOT	1		
2	M804160	WASHER	1		
3	H836R	BALL	12		
4	AM877634	SHAFT	1		
5	M804158	SPLINED COUPLING	1		
6	AM877136	SHAFT	1		
7	CH13160	SEAL	1		
8	CH13158	WASHER	2		
9	CH13159	COMPRESSION SPRING	1		
10	CH13654	COTTER PIN	1		
11	19M7297	CAP SCREW	2		M8 X 12
	12M7065	LOCK WASHER	2		8.100 MM
12	AM877146	COVER	1		
13	AR21840	CLAMP	1		
14	M804209	BOOT	1		
15	AR21840	CLAMP	1		
16	AM877145	COVER	1		
17	M802219	BOOT	1		
18	M804154	SPACER	1		

# 1G3

MP7225

-UN-02JAN94

## DRIVE SHAFT (970/1070 MFWD)



MP7225

# 1G4

POWER TRAIN

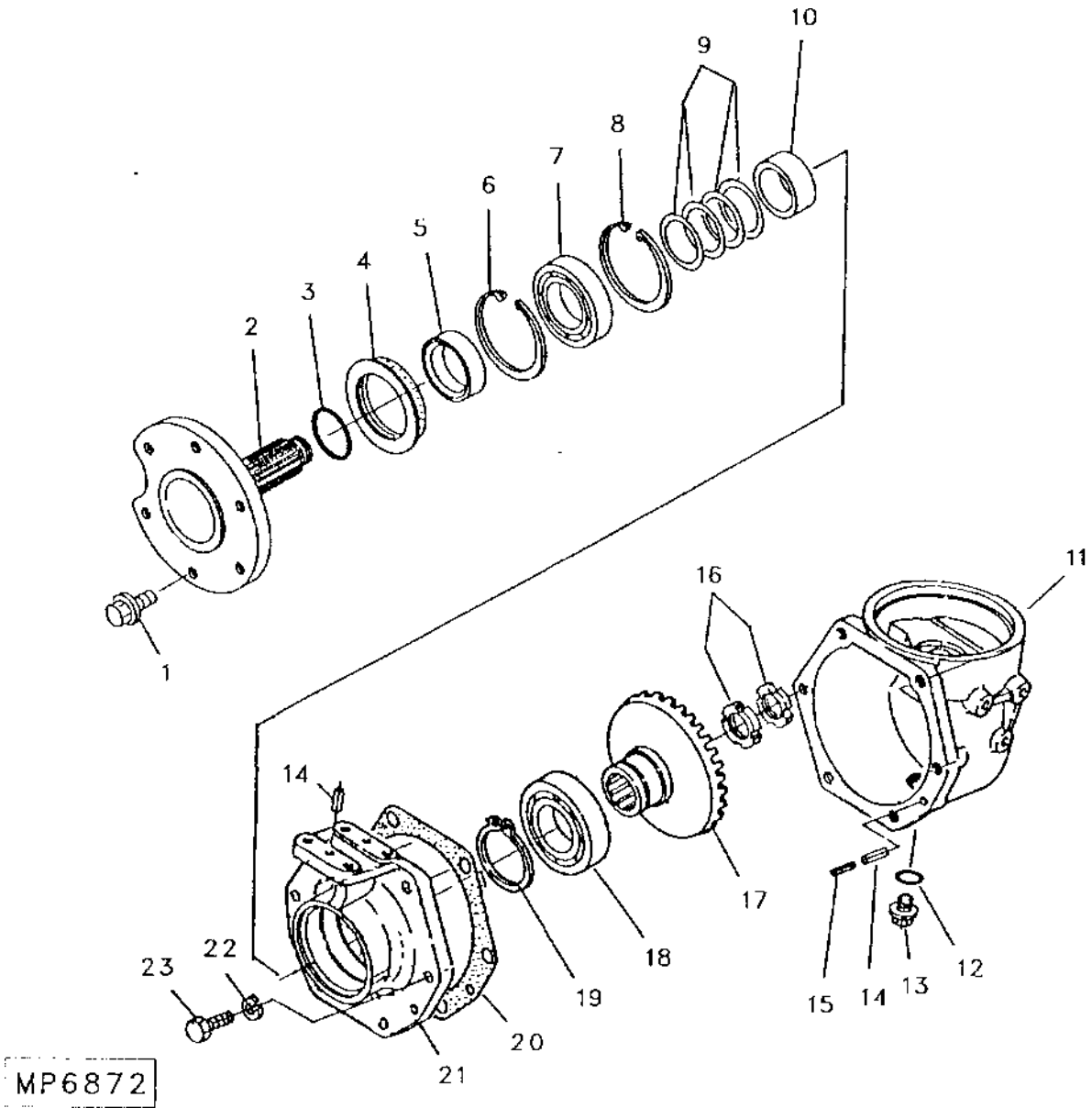
## DRIVE SHAFT (970/1070 MFWD) (CONTINUED)

KEY	PART NO.	PART NAME	QTY	SERIAL NO.	REMARKS
1	M802219	BOOT	2		
2	M804153	WASHER	1		
3	CH13160	SEAL	1		
4	H836R	BALL	12		
5	AM877637	SHAFT	1		
6	M804159	COUPLING	1		
7	AM877136	SHAFT	1		
8	CH13158	WASHER	2		
9	CH13159	COMPRESSION SPRING	1		
10	CH13654	COTTER PIN	1		
11	AM877144	COVER	1		
12	19M7297	CAP SCREW	2		M8 X 12
	12M7065	LOCK WASHER	2		8.100 MM
13	AM877146	COVER	1		
14	AR21840	CLAMP	1		
15	M804209	BOOT	1		
16	AR21840	CLAMP	1		
17	M804154	SPACER	1		

# 1G5

MP6872 -UN-01JAN94

## DRIVE HOUSING (870 MFWD)



# 1G6

POWER TRAIN

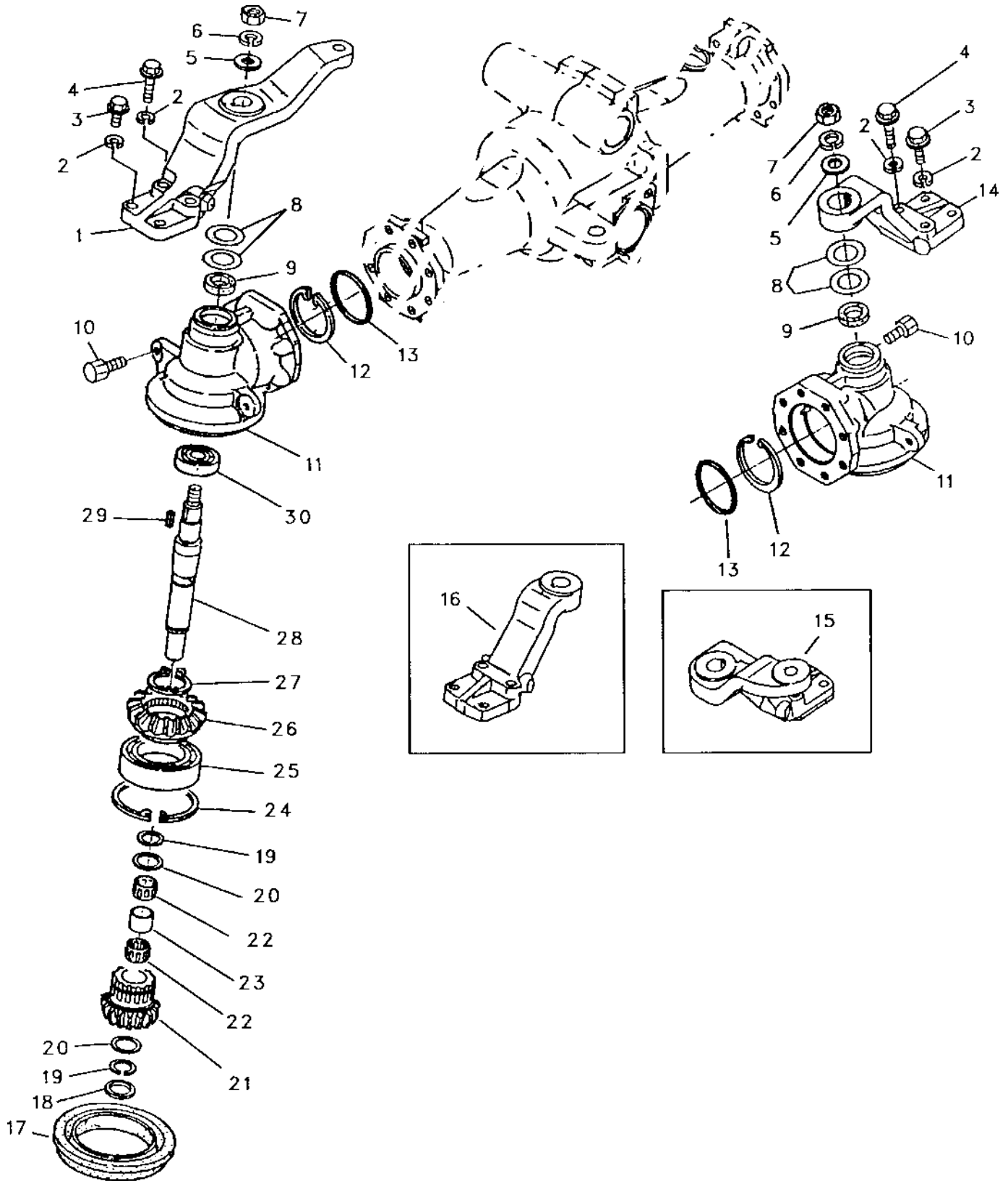
## DRIVE HOUSING (870 MFWD) (CONTINUED)

KEY	PART NO.	PART NAME	QTY	SERIAL NO.	REMARKS
1	M804143	BOLT	12		
2	M804196	SHAFT	2		FRONT AXLE
3	CH11436	PACKING	2		
4	M804187	SEAL	2		
5	M804203	BUSHING	2		
6	M800827	SNAP RING	4		
7	CH11551	BEARING	2		
8	M800827	SNAP RING	4		
9	AM877143	SHIM	AR		
10	M804201	SLEEVE	2		
11	CH14661	GEAR CASE	2		FINAL
12	CH10570	PACKING	2		
13	CH11414	PLUG	2		
14	CH14656	SPRING PIN	4		
15	34M7030	SPRING PIN	4		5 X 20 MM, (SUB FOR CH20038)
16	AM876189	NUT	2		
17	M804970	GEAR	2		FRONT FINAL
18	CH11552	BALL BEARING	2		
19	CH13490	SNAP RING	2		
20	M805736	GASKET	2		(SUB FOR CH14664)
21	M804182	CASE	2		
22	CH13085	LOCK WASHER	12		
23	19M7403	CAP SCREW	12		M12 X 35 (HS, HEAD MARKED 10.9)

# 1G7

MP9615 -UN-02JAN94

## STEERING ARM AND SPINDLE SHAFT (870 MFWD)



MP9615

## STEERING ARM AND SPINDLE SHAFT (870 MFWD) (CONTINUED)

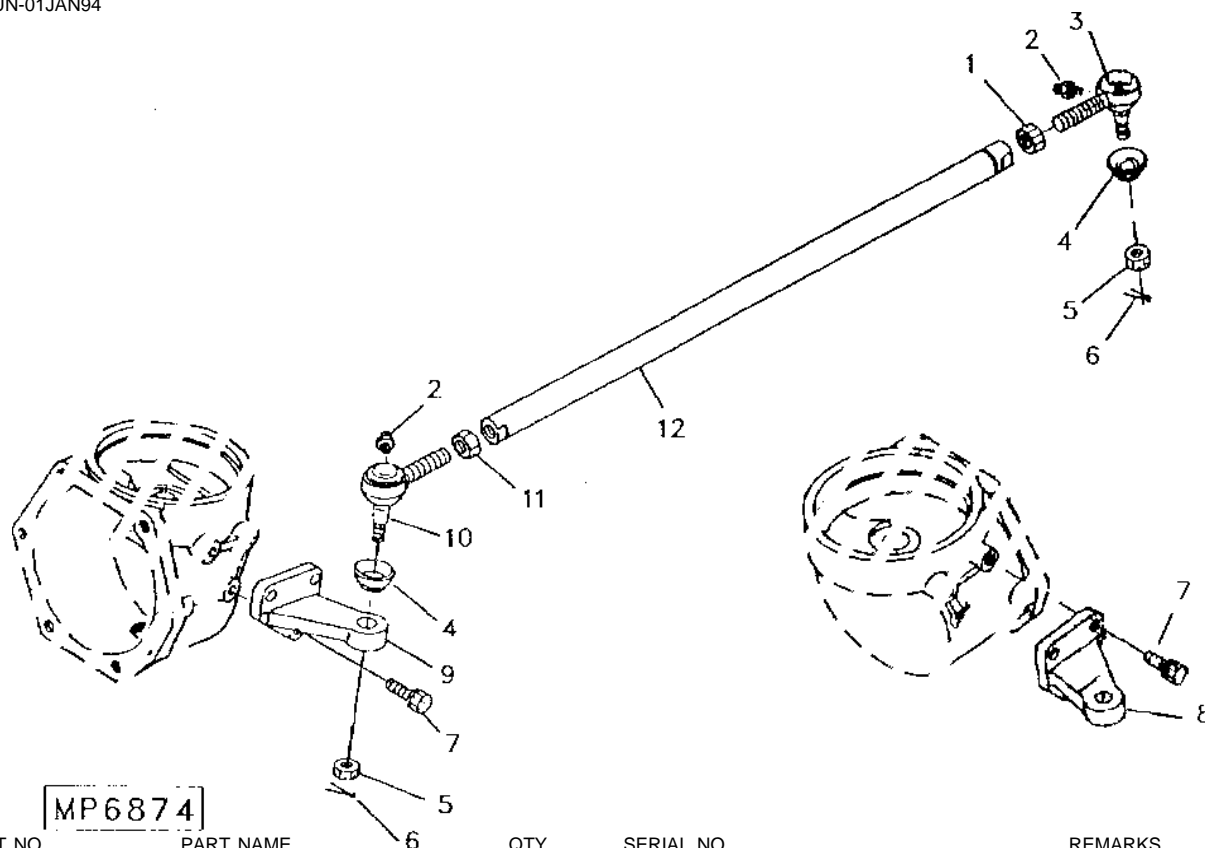
KEY	PART NO.	PART NAME	QTY	SERIAL NO.	REMARKS
1	M804125	STEERING ARM	1		LH
2	CH13940	LOCK WASHER	8		
3	19M7786	SCREW	4		M10 X 30 (HS, HEAD MARKED 10.9)
4	19M7805	SCREW	4		M10 X 45 (HS, HEAD MARKED 10.9)
5	24M7053	WASHER	2		17 X 30 X 3 MM
6	12M7069	LOCK WASHER	2		16.200 MM
7	14M7276	NUT	2		M16
8	CH15364	SHIM	4		
9	CH14659	SEAL	2		
10	CH20018	BOLT	2		STOPPER
11	CH14658	GEAR CASE	2		SIDE
12	CH14669	SNAP RING	2		
13	CH14671	PACKING	2		
14	CH19742	STEERING ARM	1		RH
15	M804130	STEERING ARM	1		RH FOR POWER STEERING
16	M804129	KINGPIN	1		LH
17	CH14662	SEAL	2		
18	CH14682	WASHER	2		
19	CH14681	SNAP RING	2		
20	CH14680	WASHER	4		
21	CH14684	PINION	2		FRONT FINAL
22	CH14678	BEARING	4		
23	CH14679	BUSHING	2		
24	CH14670	SNAP RING	2		
25	CH14687	BALL BEARING	2		
26	CH14683	GEAR	2		
27	M804195	RING	2		
28	CH14677	SHAFT	2		FRONT SPINDLE, (SUB FOR M804190)
29	CH14686	KEY	2		
30	CH11550	BALL BEARING	2		

# 1G9

POWER TRAIN

MP6874 -UN-01JAN94

## TIE ROD (870 MFWD)



KEY	PART NO.	PART NAME	QTY	SERIAL NO.	REMARKS
1	CH11461	NUT	1		(B) LH THREAD
2	CH15805	FITTING	2		(A) (B)
3	AM877130	ROD	1		(B) LH, (SUB AM878076)
4	CH11448	COVER	2		(A) (B)
5	CH11450	NUT	2		(A) (B)
6	CH12320	PIN	2		(A) (B)
7	19M7168	CAP SCREW	6		M10 X 30
	12M7066	LOCK WASHER	6		10.200 MM
8	M804134	ARM	1		RH
9	M804133	ARM	1		LH
10	AM877125	ROD	1		(A) RH, (SUB AM878075)
11	CH11462	NUT	1		(A) RH THREAD
12	M804136	TIE ROD	1		
..	AM878075	KIT	1		RH (INCLUDES PARTS MARKED (A))
..	AM878076	KIT	1		LH (INCLUDES PARTS MARKED (A))



---

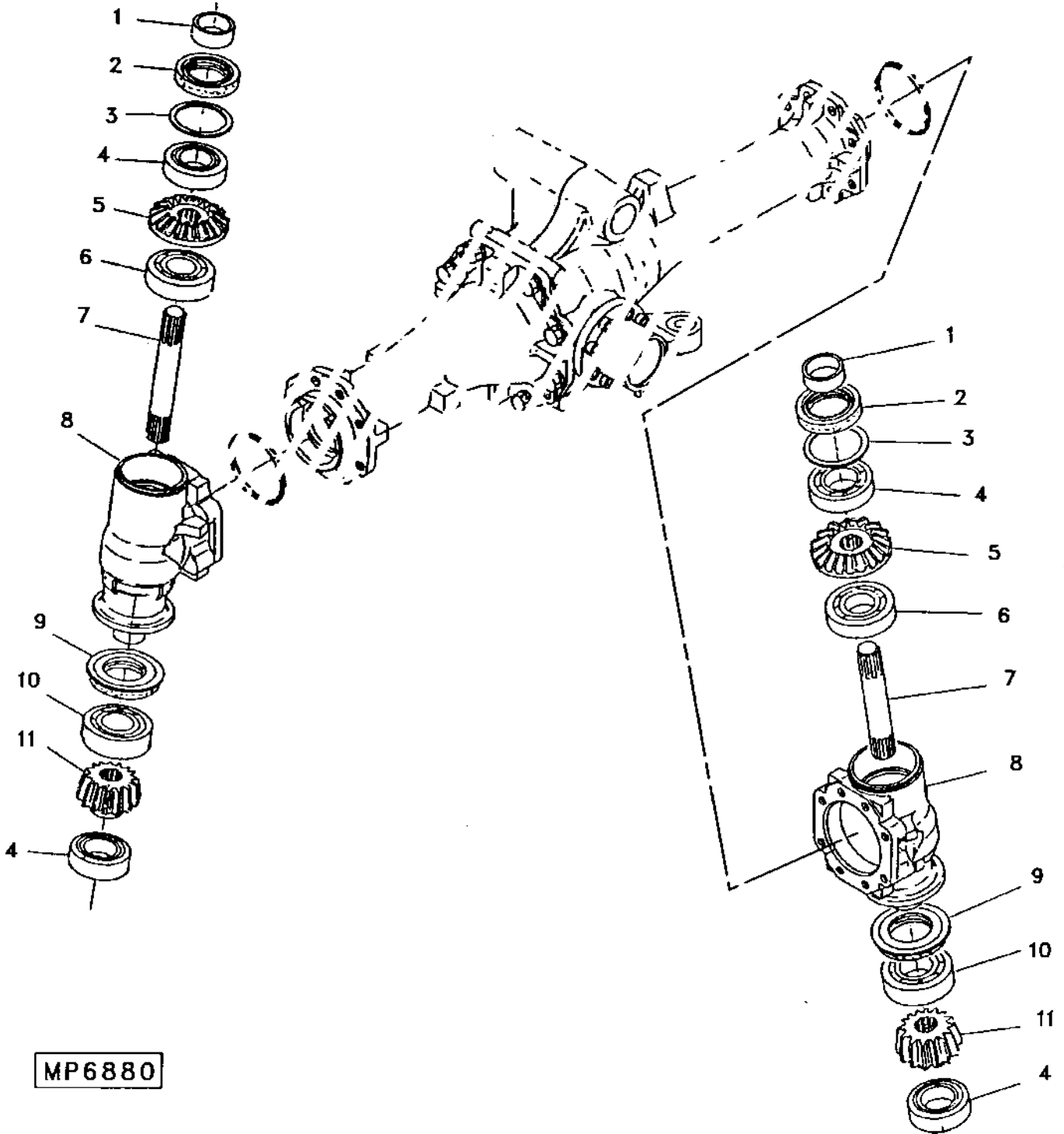
MEMORANDA

# 1G10

MP6880

-UN-01JAN94

DRIVE HOUSING (970/1070 MFWD)



MP6880

# 1G11

POWER TRAIN

## DRIVE HOUSING (970/1070 MFWD) (CONTINUED)

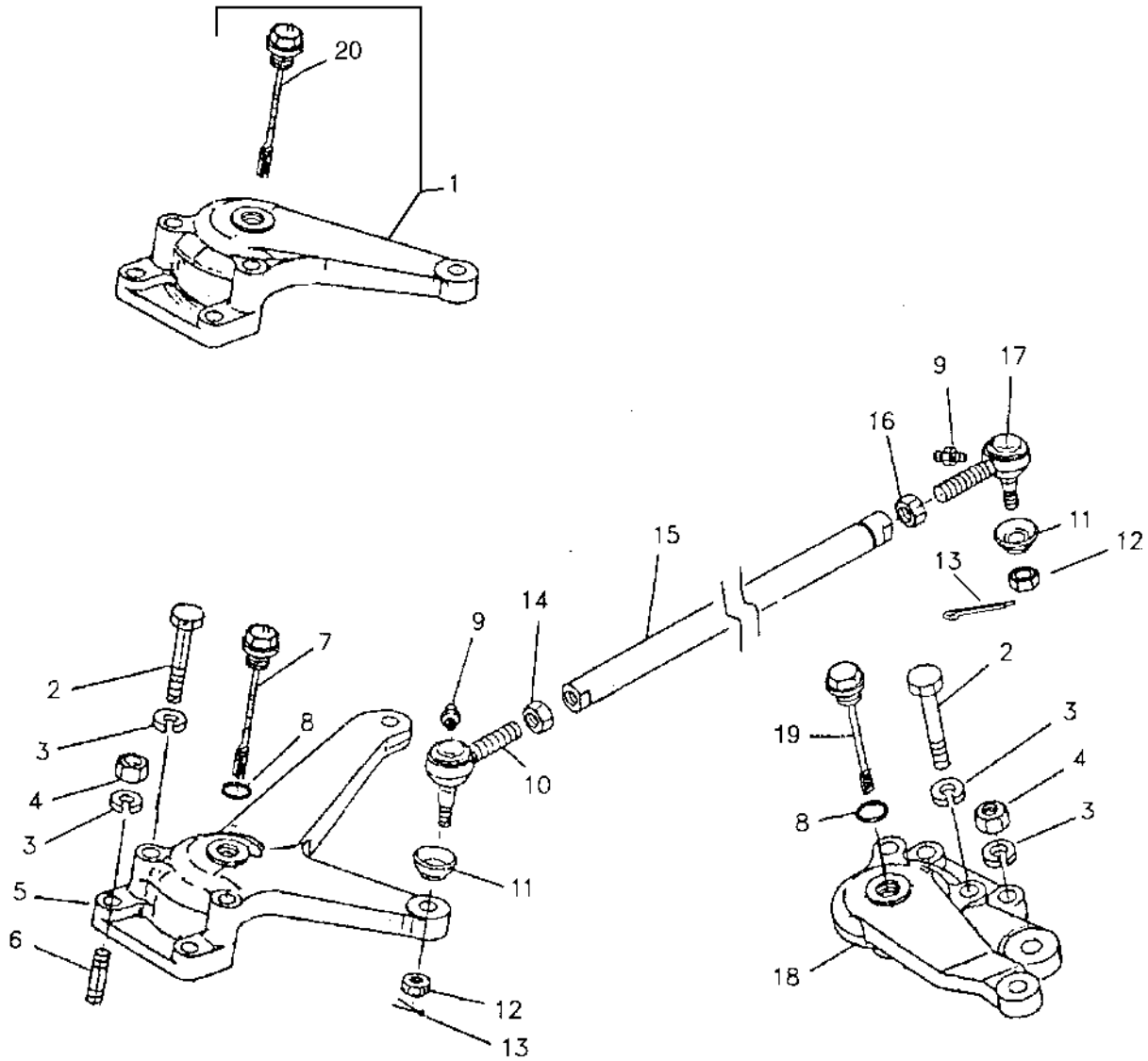
KEY	PART NO.	PART NAME	QTY	SERIAL NO.	REMARKS
1	M804184	SLEEVE	2		
2	M804185	SEAL	2		
3	CH13166	WASHER	2		BEARING
4	CH14581	BALL BEARING	4		
5	M804192	GEAR	2		FRONT SPINDLE
6	M804194	BALL BEARING	2		
7	M804191	SHAFT	2		FRONT SPINDLE
8	M804176	CASE	2		SIDE GEAR
9	M804181	SEAL	2		
10	JD9471	BALL BEARING	4		(SUB FOR CH13509)
11	M804193	PINION	2		FRONT FINAL

# 1G12

MP17577

-UN-06JUN97

## STEERING ARM AND TIE ROD (970/1070 MFWD)



MP17577

# 1G13

POWER TRAIN

## STEERING ARM AND TIE ROD (970/1070 MFWD) (CONTINUED)

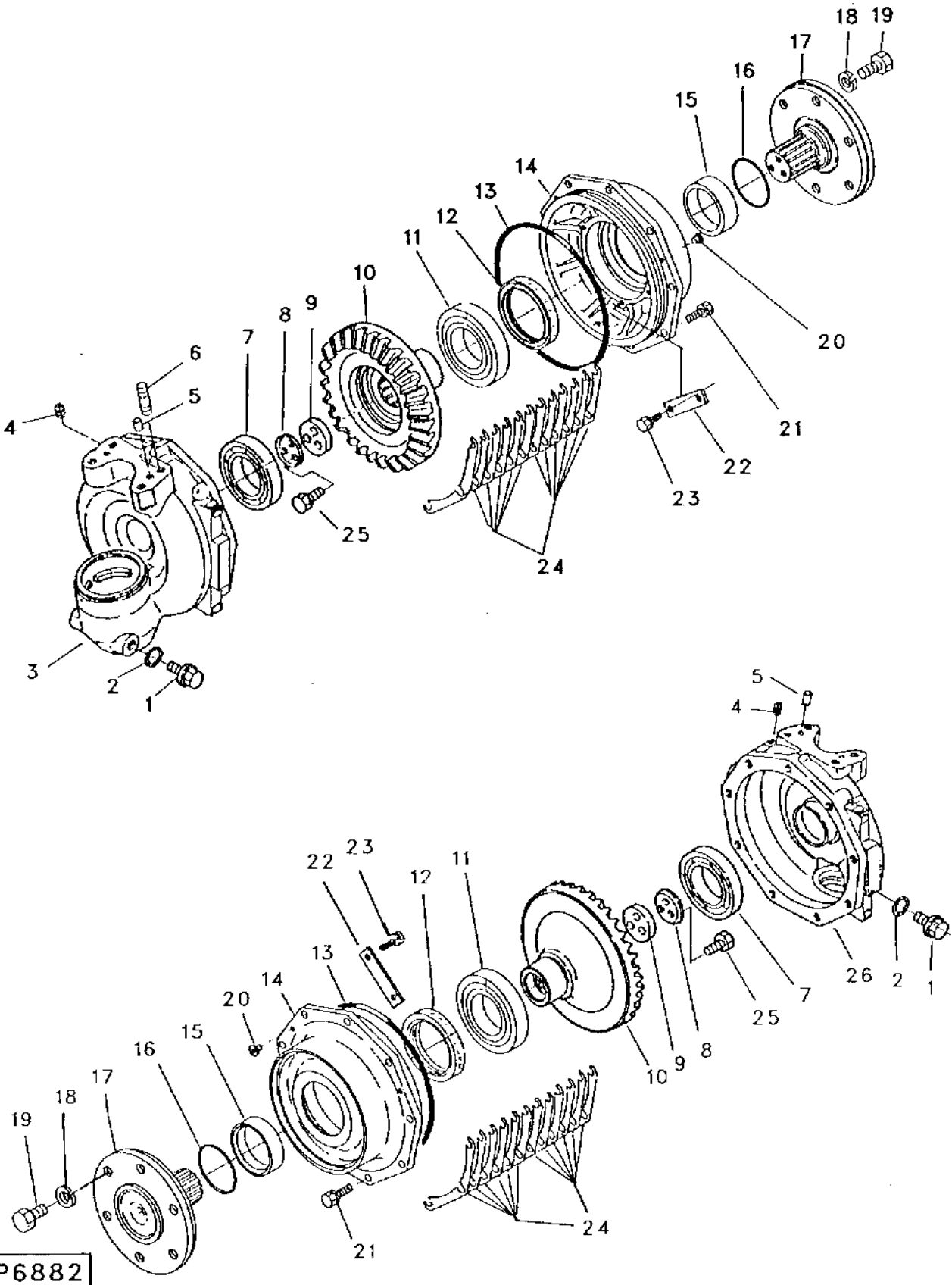
KEY	PART NO.	PART NAME	QTY	SERIAL NO.	1 8 9 0 7 7 7 0 0 0	REMARKS
1	M804123	STEERING ARM	1	-140000		LH
	AM878707	STEERING ARM	1	140001-		LH
2	M800477	BOLT	4			
3	12M7067	LOCK WASHER	4			12.200 MM
4	14M7275	NUT	4			M12
5	M804127	STEERING ARM	1		X	LH MANUAL STEERING
6	CH15000	STUD	4			
7	M804126	PLUG	1			
8	CH11563	PACKING	2			
9	CH15805	FITTING	2			
10	AM877125	ROD	1			RH, (SUB AM878075)
11	CH11448	COVER	2			
12	CH11450	NUT	2			
13	CH12320	PIN	2			
14	CH11462	NUT	1			RH THREAD
15	M804139	TIE ROD	1			
16	CH11461	NUT	1			LH THREAD
17	AM877130	ROD	1			LH, (SUB AM878076)
18	M804124	STEERING ARM	1	-140000		RH
	AM878706	STEERING ARM	1	140001-		RH
19	AM878656	GAUGE	1			
20	CH10560	PLUG	1			

# 1G14

MP6882

-UN-01JAN94

## FRONT AXLE SHAFT (970/1070 MFWD)



# 1G15

POWER TRAIN

## FRONT AXLE SHAFT (970/1070 MFWD) (CONTINUED)

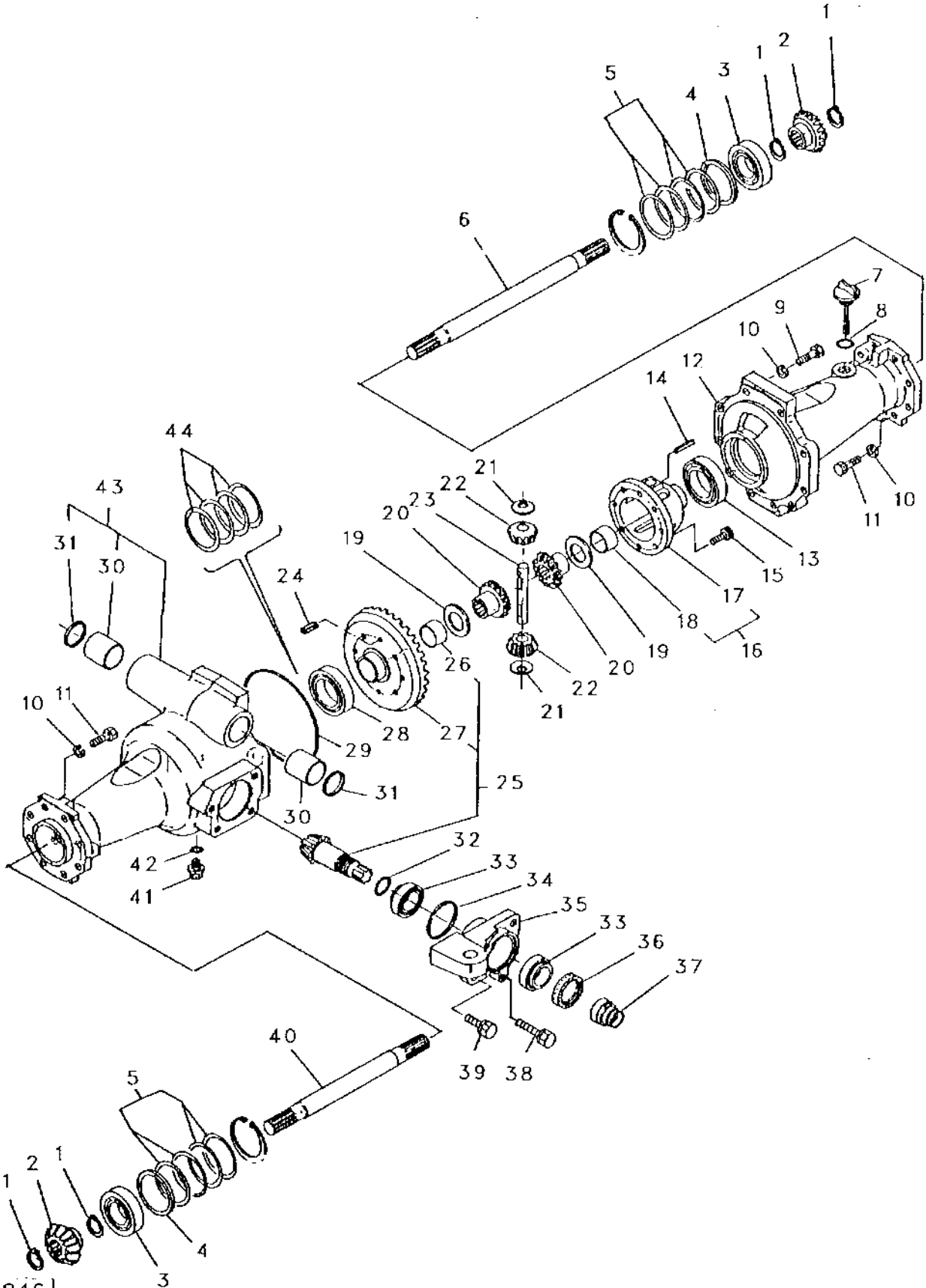
KEY	PART NO.	PART NAME	QTY	SERIAL NO.	REMARKS
1	CH11414	PLUG	2		
2	CH10570	PACKING	2		
3	M804180	CASE	1	GEAR	
4	15H558	PIPE PLUG	2	1/8"	
5	CH14795	PIN	4		
6	CH15000	STUD	4		
7	M804206	BEARING	2		
8	M804202	WASHER	2		
9	M804200	WASHER	2		
10	M804198	GEAR	2	FRONT FINAL	
11	CH13510	BALL BEARING	2		
12	M804188	SEAL	2		
13	CH17430	PACKING	2		
14	M804183	CASE	2	BEARING FRONT	
15	M804199	BUSHING	2	SEAL	
16	T114223	O-RING	2		
17	M804197	SHAFT	2	FRONT AXLE	
18	CH14118	LOCK WASHER	12	-XXXXXX	(USE WITH CH14117 ONLY)
19	M805785	BOLT	12		FLANGE, (SUB FOR CH14117)
20	M804189	CAP	6		
21	19M7402	CAP SCREW	18		M10 X 25 (HS, HEAD MARKED 10.9)
	12M7066	LOCK WASHER	18		10.200 MM
22	M804186	STRAP	4		
23	19M7163	CAP SCREW	8		M8 X 25
	12M7065	LOCK WASHER	8		8.100 MM
24	AM877142	SHIM	AR		
25	19M7167	CAP SCREW	6		M10 X 25
26	M804179	GEAR CASE	1		FINAL

# 1G16

MP6816

-UN-01JAN94

## FRONT AXLE (870 MFWD)



MP6816



# 1G17

POWER TRAIN

## FRONT AXLE (870 MFWD) (CONTINUED)

KEY	PART NO.	PART NAME	QTY	SERIAL NO.	REMARKS
1	40M7076	SNAP RING	4		
2	CH14625	PINION SHAFT	2		
3	JD9344	BALL BEARING	2		(SUB FOR CH14627)
4	CH14626	WASHER	2		
5	CH15362	SHIM	1		KIT
6	M804162	UNIVERSAL DRIVESHAFT	1		
7	CH14640	PLUG	1		
8	CH11563	PACKING	1		
9	M804174	BOLT	10		
10	CH13940	LOCK WASHER	26		
11	19M7662	CAP SCREW	16		M10 X 30 (HS, HEAD MARKED 10.9)
12	M804172	HOUSING	1		
13	CH14581	BALL BEARING	1		
14	CH11497	PIN	1		
15	19M6887	SCREW	6		M8 X 18
16	CH14594	CASE	1		
17	.....	CASE	1		(ORDER CH14594)
18	CH14576	BUSHING	1		
19	CH14597	WASHER	2		
20	CH14598	GEAR	2		
21	CH14596	WASHER	2		
22	CH14595	PINION	2		
23	CH14599	PINION SHAFT	1		
24	CH11502	PIN	2		
25	AM877135	GEAR	1		
26	CH14576	BUSHING	1		
27	.....	GEAR	1		(ORDER AM877135)
28	CH14581	BALL BEARING	1		
29	CH14641	PACKING	1		
30	M804167	BUSHING	2		
31	CH16106	SEAL	2		
32	CH15595	O-RING	1		
33	M804151	ROLLER BEARING	2		
34	CH11571	PACKING	1		
35	M804978	HOLDER	1		
36	CH14620	SEAL	1		
37	M804150	SPACER	1		
38	19M8600	CAP SCREW	1		M10 X 50 (HS, HEAD MARKED 10.9)
	12M7066	LOCK WASHER	1		10.200 MM
39	19M7168	CAP SCREW	3		M10 X 30
	12M7066	LOCK WASHER	3		10.200 MM
40	CH20041	SHAFT	1		
41	CH11414	PLUG	1		
42	CH10570	PACKING	1		
43	AM877139	HOUSING	1		
44	CH15363	SHIM	1		KIT

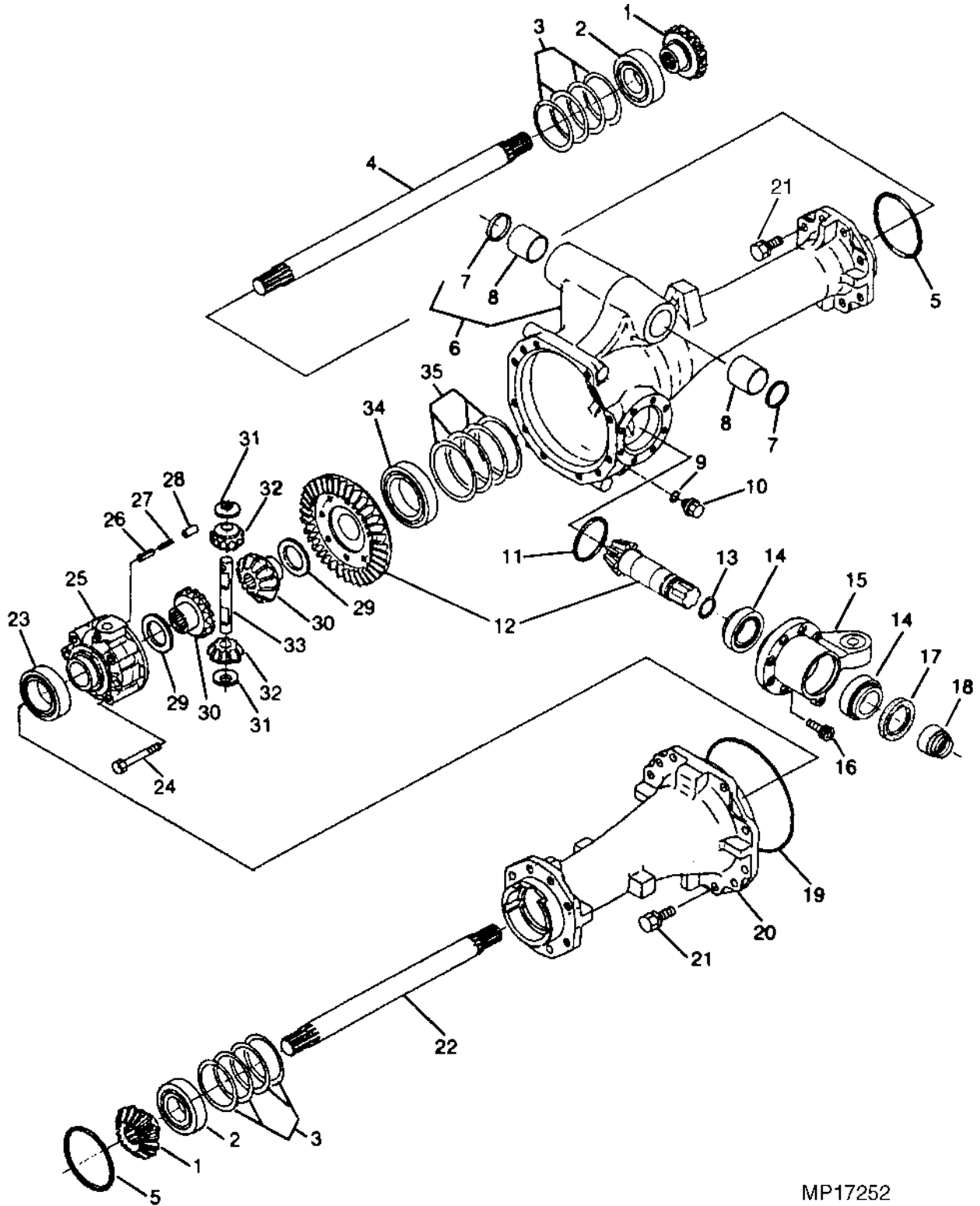
# 1G18

POWER TRAIN

MP17252

-UN-17APR97

FRONT AXLE (970/1070 MFWD)



MP17252

# 1G19

POWER TRAIN

## FRONT AXLE (970/1070 MFWD) (CONTINUED)

KEY	PART NO.	PART NAME	QTY	SERIAL NO.	REMARKS
1	M804165	PINION	2		
2	CH15042	BEARING	2		
3	AM877141	SHIM	1		KIT
4	M804164	UNIVERSAL DRIVESHAFT	1		
5	CH16109	PACKING	2		
6	AM877140	HOUSING	1		
7	CH16106	SEAL	2		
8	M804167	BUSHING	2		
9	CH10570	PACKING	1		
10	CH11414	PLUG	1		
11	CH14671	PACKING	1		
12	AM877134	GEAR	1		
13	CH13527	PACKING	1		
14	CH11146	THRUST BEARING	2		
15	M804166	PRESSED FLANGED HOUSING	1		
16	19M7657	SCREW	8		M8 X 25 (HS, HEAD MARKED 10.9)
17	CH13163	SEAL	1		
18	M804148	SPACER	1		
19	M804175	PACKING	1		
20	M804171	HOUSING	1		
21	19M8011	CAP SCREW	11		M12 X 30 (HS, HEAD MARKED 10.9)
	12M7067	LOCK WASHER	11		12.200 MM
22	M804163	UNIVERSAL DRIVESHAFT	1		
23	CH14693	BALL BEARING	1		
24	CH13110	BOLT	6		
25	M804152	CASE	1		
26	CH12304	PIN	1		
27	CH10891	PIN	1		
28	44M7072	PIN	2		(SUB FOR CH14782)
29	CH13455	THRUST WASHER	2		
30	CH13155	GEAR	2		
31	M804987	WASHER	2		
32	CH13154	PINION	2		
33	CH13156	PINION SHAFT	1		
34	CH13507	BALL BEARING	1		
35	CH13551	SHIM	1		KIT

---

MEMORANDA

---

MEMORANDA

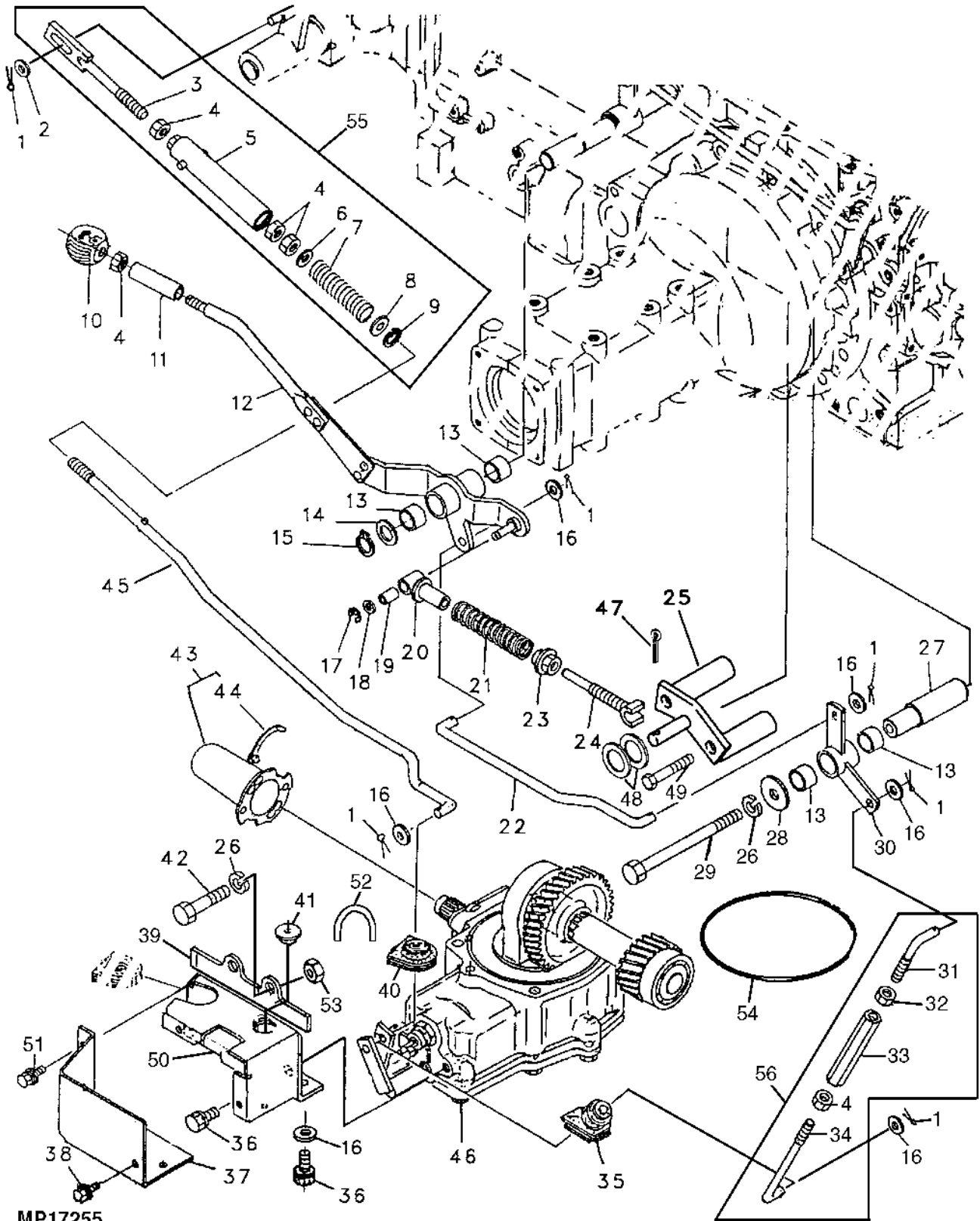
# 1G21

MID-PTO KIT (OPTIONAL)

MP17255

-UN-02MAY97

## LEVER AND LINKAGE



## LEVER AND LINKAGE (CONTINUED)

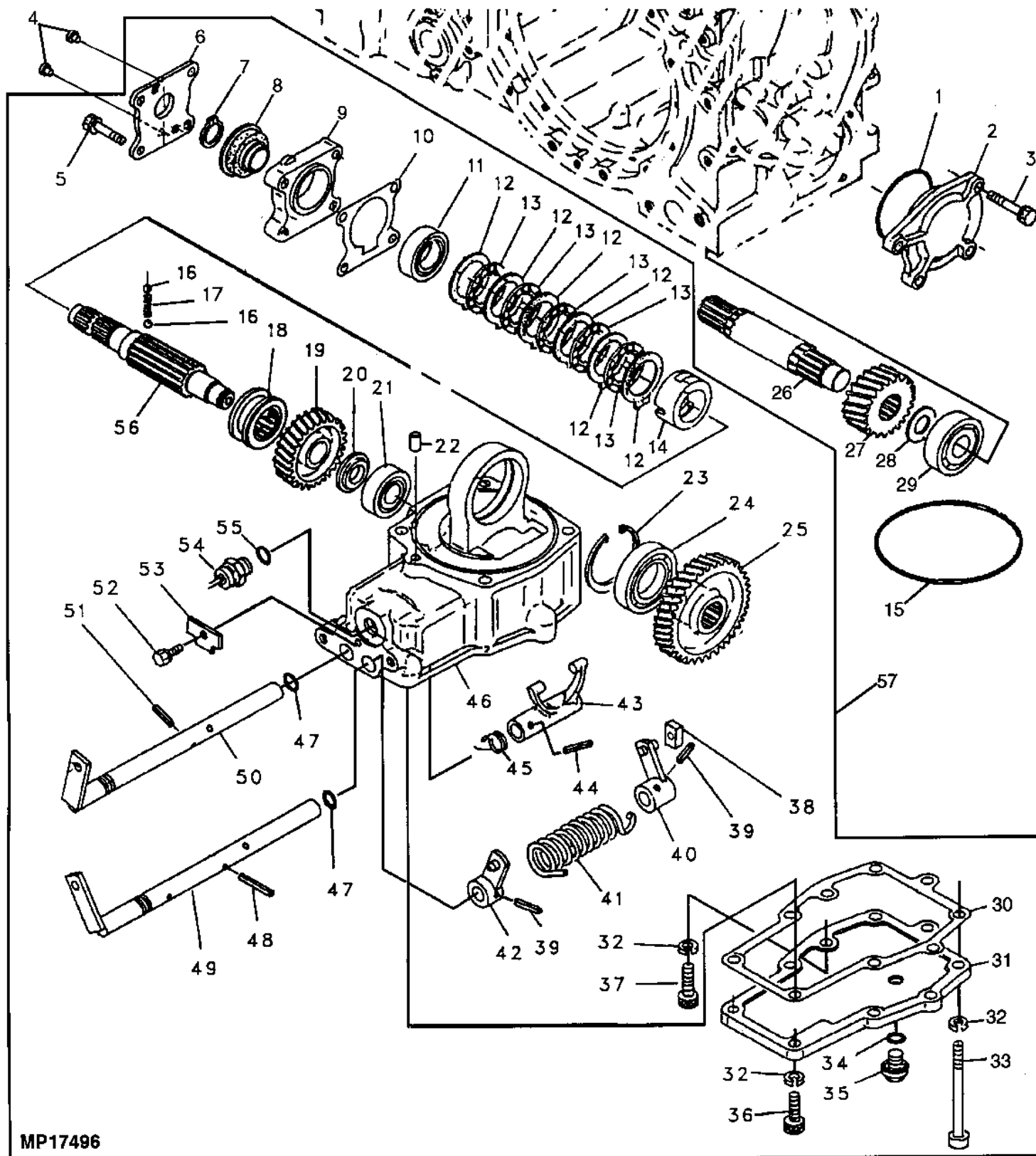
KEY	PART NO.	PART NAME	QTY	SERIAL NO.	REMARKS
1	11M7081	COTTER PIN	6	2.500 X 20 MM	
2	24M7055	WASHER	1	8.400 X 16 X 1.600 MM	
3	AM877593	ROD	1	(A) PTO BRAKE	
4	14M7274	NUT	5	(A) M10	
5	AM876906	HOLDER	1	(A) SPRING (INCLUDES M88031 NUT)	
6	24M7096	WASHER	1	(A) 10.500 X 18 X 1.600 MM, (SUB FOR CH15392)	
7	AM876913	SPRING	1	(A)	
8	CH11883	WASHER	1	(A)	
9	CH14607	RING	1	(A)	
10	M803735	KNOB	1	MID PTO LEVER	
11	M804604	TUBE	1	(D) LEVER	
12	AM877592	LEVER	1	(D) MID PTO	
13	M805087	BUSHING	4	(C) (D)	
14	CH11472	WASHER	1		
15	40M7080	SNAP RING	1	(SUB FOR CH16769)	
16	24M7028	WASHER	7	10.500 X 20 X 2 MM	
17	CH11490	RING	1		
18	24M7024	WASHER	1	9 X 28 X 3 MM	
19	M803682	BUSHING	1		
20	AM876912	PLATE	1	SPRING	
21	M803718	COMPRESSION SPRING	1	MID PTO	
22	M804937	ROD	1	MID PTO	
23	AM876908	PLATE	1	SEAT (INCLUDES M803742 WASHER)	
24	AM876901	ROD	1	SPRING	
25	AM877714	PLATE	1		
26	12M7006	LOCK WASHER	4	(E) 6.100 MM	
27	M804934	PIVOT	1	MID PTO	
28	M94441	WASHER	1		
29	M802963	BOLT	1		
30	AM877595	LEVER	1	(C) COUNTER	
31	M802997	ROD	1	(B)	
32	14M7228	NUT	1	M10	
33	CH11416	TURNBUCKLE	1	(B)	
34	M804938	BOLT	1	(B) RH SCREW	
35	M804923	BOOT	1	MID PTO	
36	19M7166	CAP SCREW	2	M10 X 20	
	12M7066	LOCK WASHER	2	10.200 MM	
37	M804920	COVER	1	MID PTO	
38	19M7077	CAP SCREW	5	M6 X 20	
	12M7006	LOCK WASHER	5	6.100 MM	
	24M7054	WASHER	5	6.400 X 12 X 1.600 MM	
39	M805864	BRACKET	1	(E) (SUB AM878225) MID COVER (INCLUDES AM877591 PLATE AND M805096 GROMMET)	
40	M804931	GROMMET	1		
41	CH13942	GROMMET	1		
42	T110460	BOLT	2	(E)	
43	AM875151	COVER	1	SHAFT	
44	.....	COVER	2	(ORDER AM875151)	
45	M804928	ROD	1	(A) PTO BRAKE	
46	AM877586	KIT	1	MID PTO (SEE FOLLOWING PAGE FOR COMPONENT PARTS)	
47	11M7082	COTTER PIN	1	2.500 X 25 MM	
48	24M7024	WASHER	2	9 X 28 X 3 MM	
49	M805123	BOLT	1		
50	AM878224	PLATE	1	(E)	
51	19M7560	CAP SCREW	1	(E) M6 X 16	
52	M805096	GROMMET	1	(E)	
53	14M7272	NUT	1	(E) M6	
54	CH14635	PACKING	1		
55	AM877706	KIT	1	SPRING CAPSULE (INCLUDES PARTS MARKED (A))	
56	AM877707	KIT	1	TURNBUCKLE (INCLUDES PARTS MARKED (B))	
..	R44302	TIE BAND	1	(FOR WIRING HARNESS)	
..	AM877708	KIT	1	LEVER (INCLUDES PARTS MARKED (C))	
..	AM877709	KIT	1	MID PTO LEVER (INCLUDES PARTS MARKED (D))	
..	AM878225	COVER	1	(INCLUDES PARTS MARKED (E))	

# 1G23

MID-PTO KIT (OPTIONAL)

MP17496 -UN-07JUN97

GEARS





# 1G24

MID-PTO KIT (OPTIONAL)

## GEARS (CONTINUED)

KEY	PART NO.	PART NAME	QTY	SERIAL NO.	REMARKS
1	CH11572	PACKING	1		
2	M804889	COVER	1	(A) MID PTO	
3	19M7378	CAP SCREW	4	M8 X 45	
	12M7065	LOCK WASHER	4	8.100 MM	
4	CH16469	PIN	2	PTO COVER	
5	19M7298	CAP SCREW	4	M8 X 35	
	12M7065	LOCK WASHER	4	8.100 MM	
6	M804898	COVER	1		
7	CH11481	RING	1		
8	M803717	SEAL	1		
9	M804904	CASE	1	OIL SEAL	
10	M804905	GASKET	1	COVER	
11	CH13505	BALL BEARING	1		
12	M803702	PLATE	6		
13	M803703	BRAKE SHOE	5	MID PTO BRAKE	
14	M804908	ACTUATOR	1		
15	CH14635	PACKING	1		
16	400R	BALL	2		
17	M804610	COMPRESSION SPRING	1		
18	M804902	GEAR	1	MID PTO	
19	M804906	BEVEL GEAR DRIVE	1		
20	M804890	WASHER	1		
21	CH16105	BALL BEARING	1		
22	CH14795	PIN	2		
23	CH14668	SNAP RING	1		
24	CH14592	BALL BEARING	1		
25	M804903	GEAR	1		
26	M804900	SHAFT	1	(A) IDLE	
27	M804901	GEAR	1	(A)	
28	CH16058	WASHER	1	(A)	
29	CH11554	BALL BEARING	1	(A)	
30	M804892	GASKET	1	COVER	
31	M804891	COVER	1	MID PTO	
32	12M7066	LOCK WASHER	9	10.200 MM	
33	M804897	BOLT	4		
34	CH10570	PACKING	1		
35	CH11414	PLUG	1		
36	19M8337	SCREW	3	M10 X 30 (HS, HEAD MARKED 12.9) (SUB FOR M804919)	
37	19M7862	SCREW	2	M6 X 20 (HS, HEAD MARKED 10.9)	
38	M803694	SHIFTER	1		
39	CH12304	PIN	2		
40	AM877588	ARM	1	MID SHIFT	
41	M804918	SPRING	1		
42	AM877587	ARM	1	SWITCH	
43	M804916	LEVER	1	PTO BRAKE	
44	CH17126	PIN	1		
45	M804917	SPRING	1		
46	M804899	GEAR CASE	1	MID DRIVE	
47	CH14926	PACKING	2		
48	CH17125	PIN	1		
49	AM877590	ARM	1	MID CHANGE	
50	AM877589	SHAFT	1	PTO BRAKE	
51	CH11501	PIN	1		
52	19M6614	CAP SCREW	1	M6 X 12	
	12M7006	LOCK WASHER	1	6.100 MM	
53	M804896	PLATE	1		
54	CH13415	SWITCH	1	NEUTRAL START	
55	CH14634	O-RING	1		
56	M804907	DRIVE SHAFT	1		
57	AM877586	KIT	1	MID PTO	
..	AM877710	KIT	1	IDLER SHAFT (INCLUDES PARTS MARKED (A))	

---

MEMORANDA

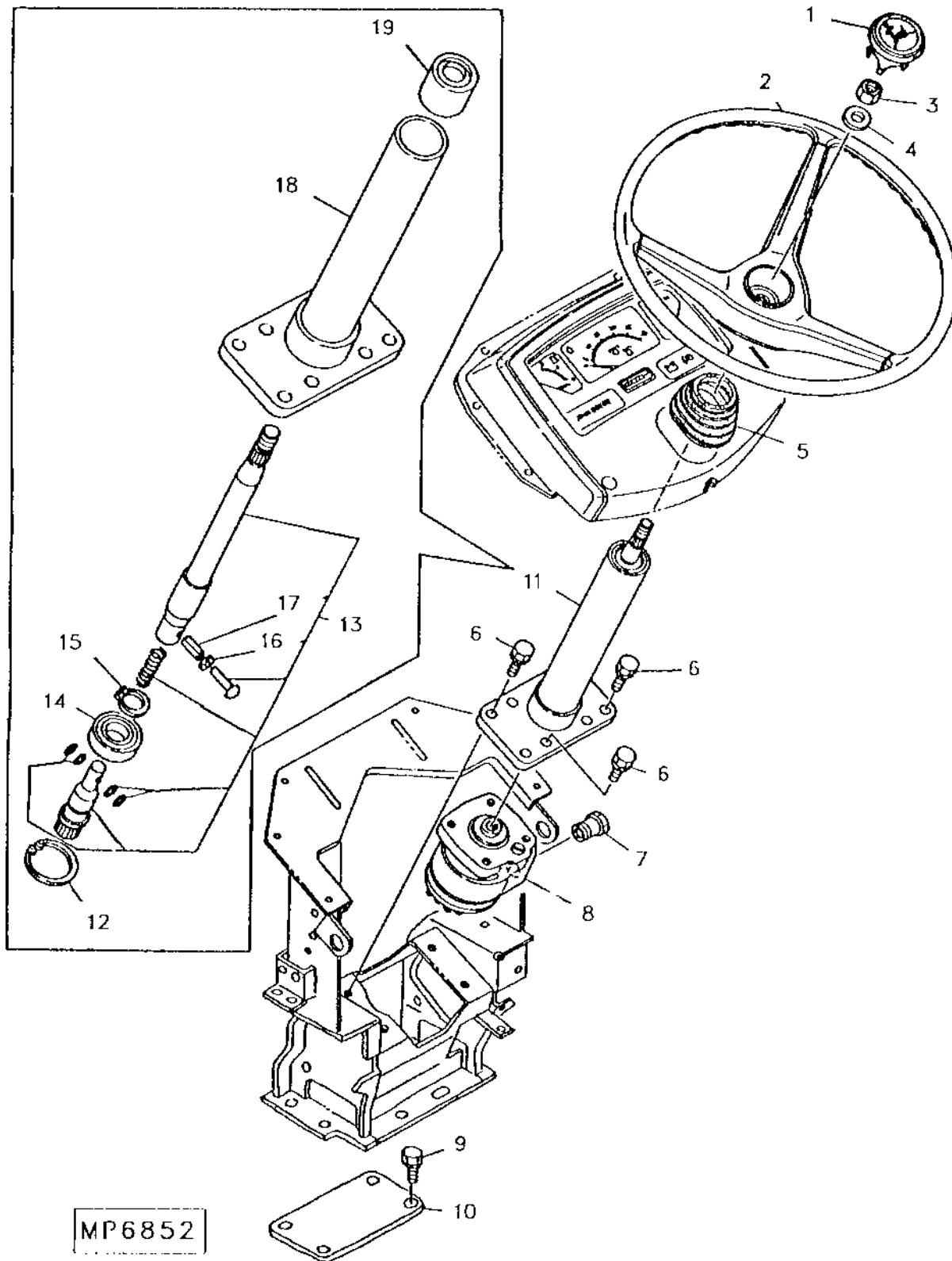
---

MEMORANDA

# 1H1

MP6852 -UN-01JAN94

## STEERING COLUMN ASSEMBLY



# 1H2

## STEERING AND BRAKES

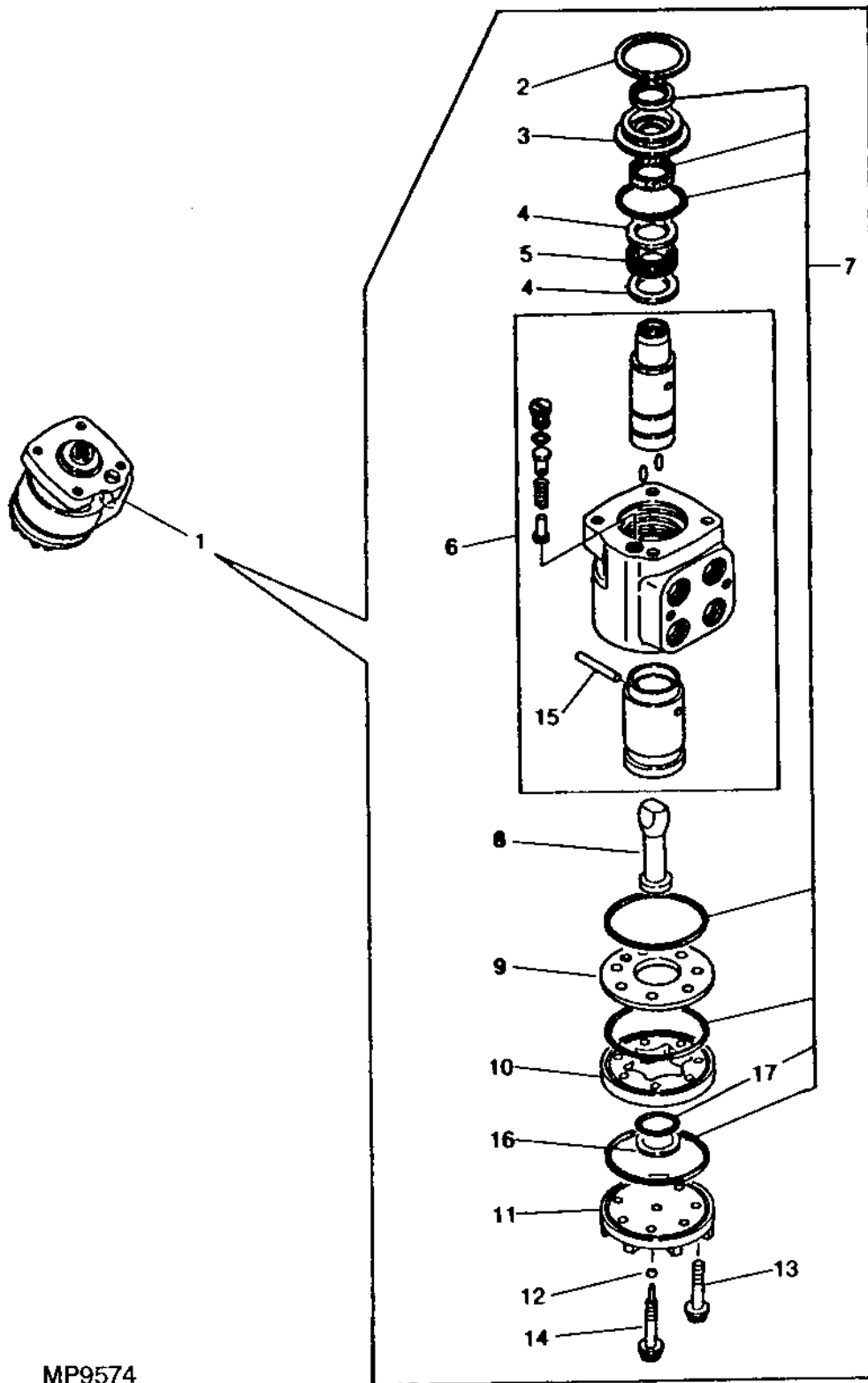
### STEERING COLUMN ASSEMBLY

KEY	PART NO.	PART NAME	QTY	SERIAL NO.	REMARKS
				1	
				8 9 0	
				7 7 7	
				0 0 0	
1	AM876660	CAP	1		
2	AM876658	STEERING WHEEL	1		
3	CH18540	NUT	1		
4	24M7053	WASHER	1		17 X 30 X 3 MM
5	M802875	COVER	1		
6	19M7402	CAP SCREW	8		M10 X 25 (HS, HEAD MARKED 10.9)
	12M7066	LOCK WASHER	8		10.200 MM
	M800112	BOLT	8	X	(TRACTORS WITH DRAFT SENSING)
7	M800853	FITTING	1		(SUB FOR AM876682 AND AM877700)
8	AM876679	VALVE	1	X	
	AM877178	VALVE	1	X X	
9	19M7557	CAP SCREW	4	X	M10 X 16, (TRACTORS W/O DRAFT SENSING)
	12M7066	LOCK WASHER	4	X	10.200 MM, (TRACTORS W/O DRAFT SENSING)
10	M802939	PLATE	1	X	(TRACTORS W/O DRAFT SENSING)
11	AM876675	STEERING COLUMN	1		
12	40M7225	SNAP RING	1		(SUB FOR CH10530)
13	AM876677	SHAFT	1		
14	M802917	BEARING	1		
15	40M7080	SNAP RING	1		(SUB FOR CH16769)
16	T110410	WASHER	1		
17	34M7030	SPRING PIN	1		5 X 20 MM, (SUB FOR CH20038)
18	AM876676	STEERING COLUMN	1		
19	M802910	BUSHING	1		COLUMN

# 1H3

MP9574 -UN-02JAN94

## STEERING VALVE ASSEMBLY



MP9574

# 1H4

STEERING VALVE ASSEMBLY (CONTINUED)

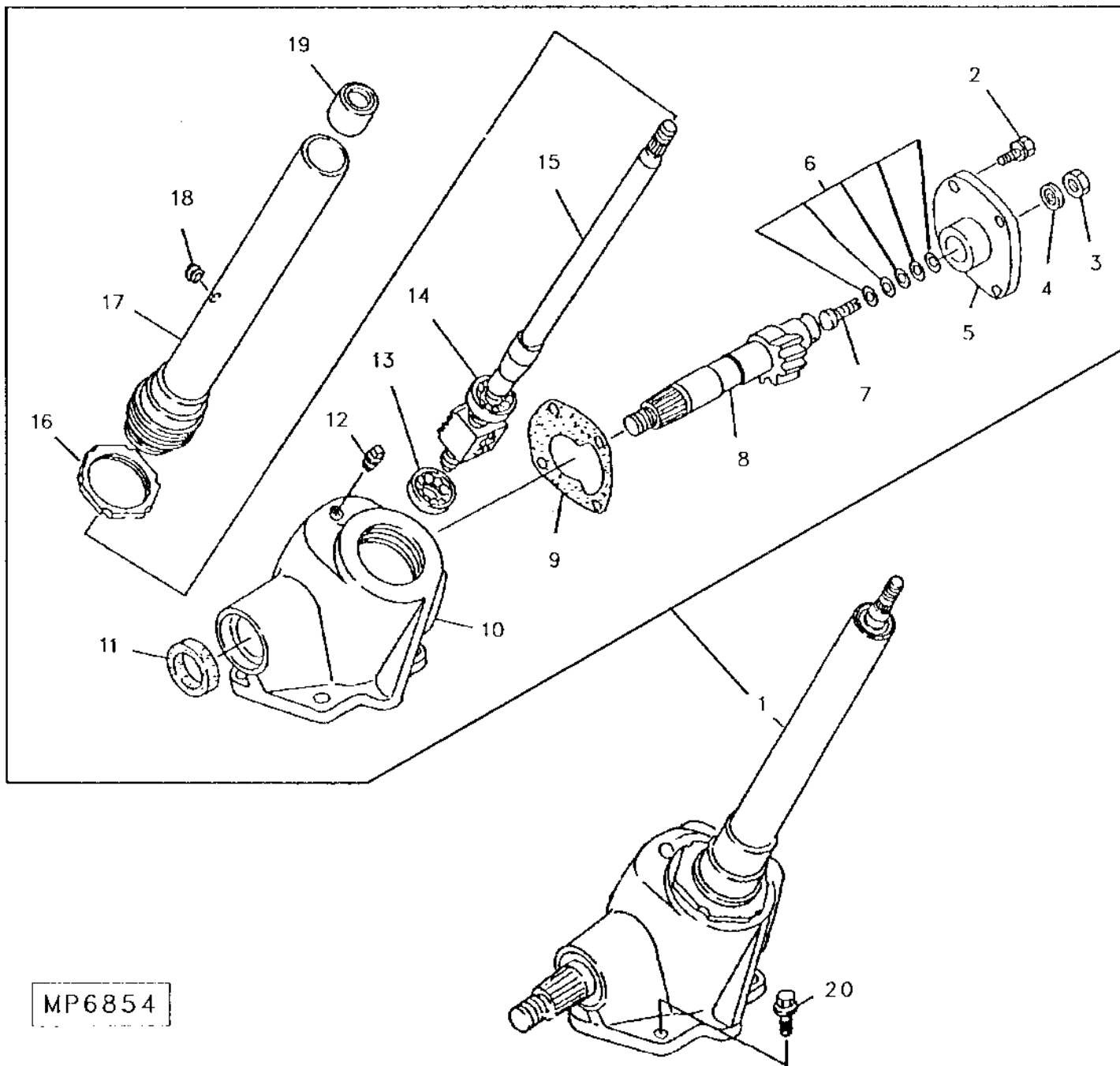
KEY	PART NO.	PART NAME	QTY	SERIAL NO.	1 8 9 0 7 7 7 0 0 0	REMARKS
1	AM876679	VALVE	1		X	
	AM877178	VALVE	1		X X	
2	M802923	RING	1			
3	M802924	BUSHING	1			
4	M802921	BEARING	2			
5	M802922	BEARING	1			
6	AM876681	VALVE	1			(INCLUDES (4) M802933 SPRINGS AND (2) M802934 SPRINGS)
7	AM876680	SEAL KIT	1	-101860	X	(C)
	AM876680	SEAL KIT	1	-103794	X	(S)
	AM876680	SEAL KIT	1	-101517	X	(C)
	AM876680	SEAL KIT	1	-103215	X	(S)
	AM876680	SEAL KIT	1	-103813	X	
	AM878066	SEAL KIT	1	101861-	X	(C)
	AM878066	SEAL KIT	1	103795-	X	(S)
	AM878066	SEAL KIT	1	101518-	X	(C)
	AM878066	SEAL KIT	1	103216-	X	(S)
	AM878066	SEAL KIT	1	103814-	X	
8	M802920	DRIVE	1			(A) (SUB AM878065)
9	M802919	PLATE	1			
10	M802927	CAM	1			(A) (SUB AM878065)
11	M802918	CAP	1			
12	R63075	BALL	1			
13	M802925	BOLT	6			
14	M802926	BOLT	1			
15	M802935	PIN	1			
16	M805985	PLUG	1			(A)
17	.....	SEAL	1			(A)
..	AM878065	ROTATOR	1			(INCLUDES PARTS MARKED (A))

(C) COLLAR TRANSMISSION  
(S) SYNCHRONIZED TRANSMISSION

# 1H5

MP6854 -UN-01JAN94

## STEERING BOX FOR MANUAL STEERING (870/970)



MP6854



# 1H6

STEERING AND BRAKES

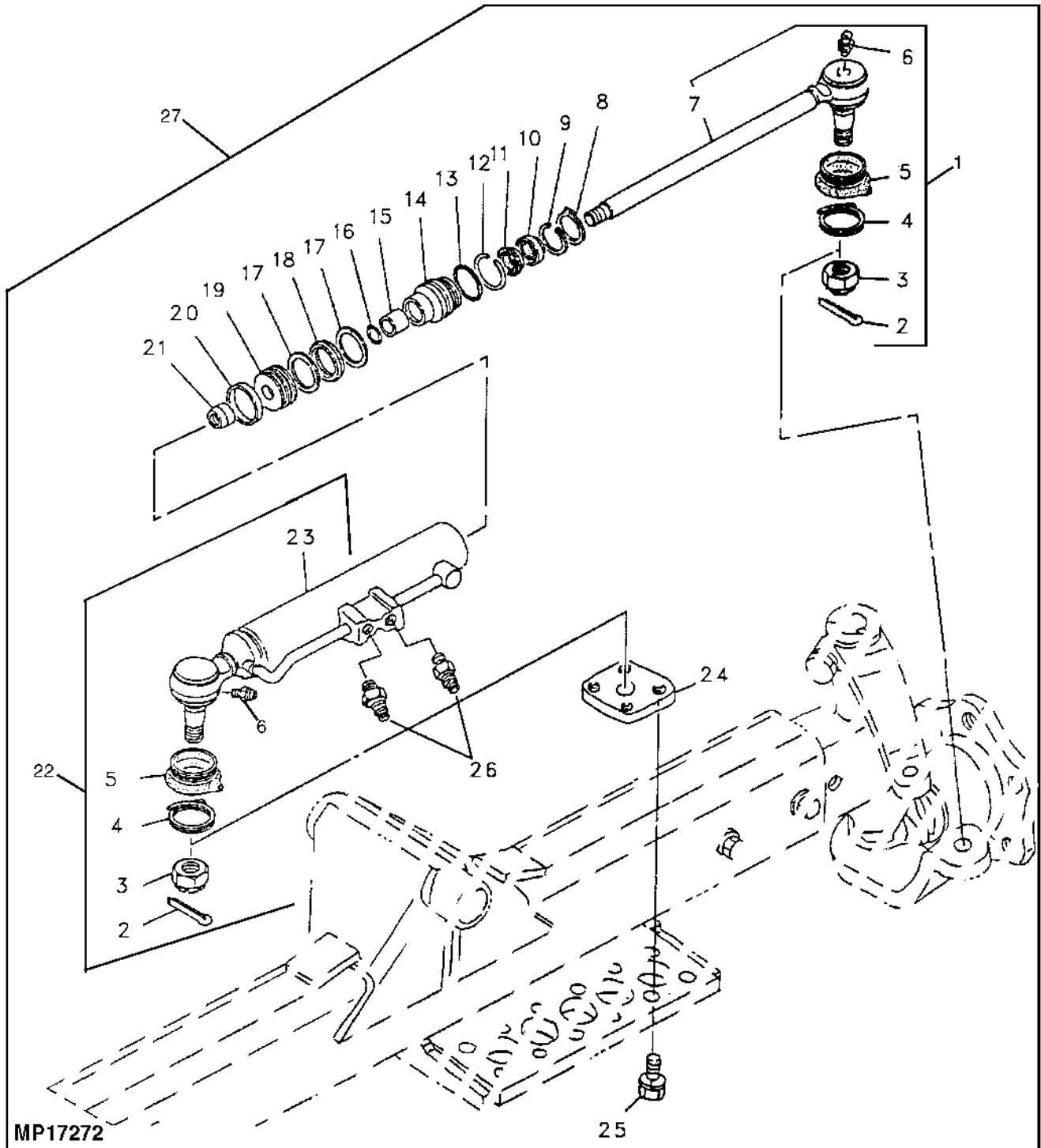
**STEERING BOX FOR MANUAL STEERING (870/970) - CONTINUED**

KEY	PART NO.	PART NAME	QTY	SERIAL NO.	REMARKS
1	AM877159	BOX	1		STEERING
2	19M7881	SCREW	4		M8 X 20 (HS, HEAD MARKED 10.9)
	12M7065	LOCK WASHER	4		8.100 MM
3	CH12404	NUT	1		
4	CH13797	SEAL	1		
5	M804224	COVER	1		
6	CH12763	KIT	1		SHIM
7	CH14738	SCREW	1		
8	M804221	SHAFT	1		
9	M804225	PACKING	1		
10	M804219	BOX	1		STEERING GEAR
11	CH13310	SEAL	1		
12	CH10880	PLUG	1		
13	CH11171	BEARING	1		
14	M804222	BEARING	1		
15	M804220	SHAFT	1		(INCLUDES RECIRCULATING BALLS)
16	CH13317	NUT	1		
17	M804223	STEERING COLUMN	1		
18	M802872	PLUG	1		
19	M804226	BUSHING	1		
20	19M7788	SCREW	4		M12 X 25 (HS, HEAD MARKED 10.9) (SUB FOR M802788)

# 1H7

MP17272 -UN-17APR97

## POWER STEERING CYLINDER AND TIE ROD (2WD)



# 1H8

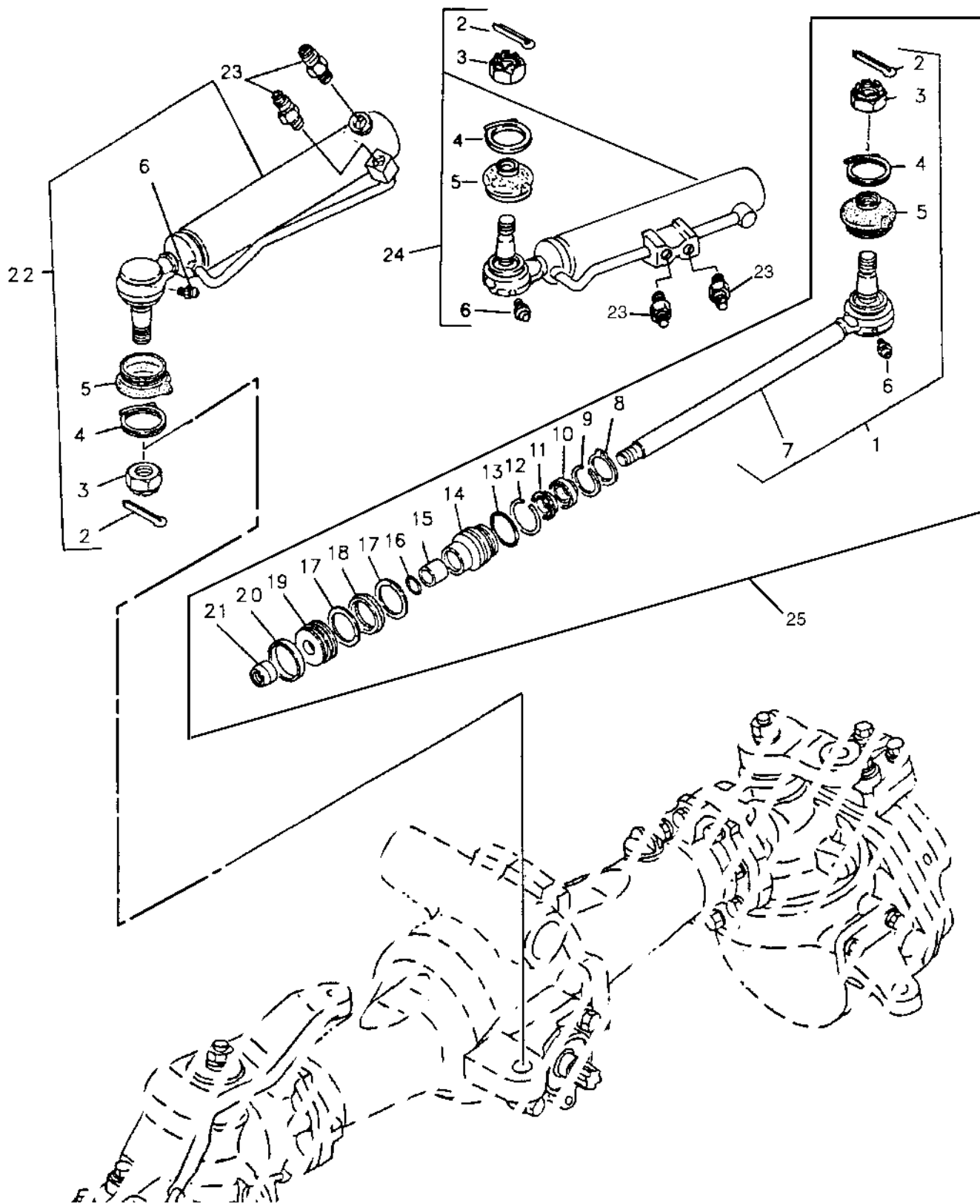
POWER STEERING CYLINDER AND TIE ROD (2WD) (CONTINUED)

KEY	PART NO.	PART NAME	QTY	SERIAL NO.	REMARKS
1	AM877173	ROD	1		
2	11M7021	COTTER PIN	2		4 X 25 MM
3	CH17199	NUT	2		
4	M804236	RING	2		
5	M804235	COVER	2		
6	CH15805	FITTING	2		
7	AM877174	ROD	1		(SUB AM877173)
8	40M4624	SNAP RING	1		(SUB FOR CH16110)
9	M802897	RING	1		
10	M802895	SCRAPER	1		
11	M802896	SEAL	1		
12	M802886	RING	1		
13	M806543	PACKING	1		(SUB FOR M802904)
14	M802894	CAP	1		
15	M802905	BUSHING	1		
16	CH14634	O-RING	1		
17	M802901	RING	2		
18	M802902	SEAL	1		
19	M802900	PISTON	1		
20	M802899	RING	1		
21	M802906	LOCK NUT	1		
22	.....	KIT	1		POWER STEERING CYLINDER, (ORDER AM878651)
23	.....	CYLINDER	1		STEERING, (ORDER AM878651)
24	M804234	BOSS	1		
25	19M7744	CAP SCREW	4		M12 X 35 (HS, HEAD MARKED 10.9)
	12M7067	LOCK WASHER	4		12.200 MM
26	M802903	FITTING	2		(SUB FOR M804247)
27	AM878651	KIT	1		POWER STEERING CYLINDER

# 1H9

MP17273 -UN-17APR97

## POWER STEERING CYLINDER (MFWD)



MP17273

# 1H10

STEERING AND BRAKES

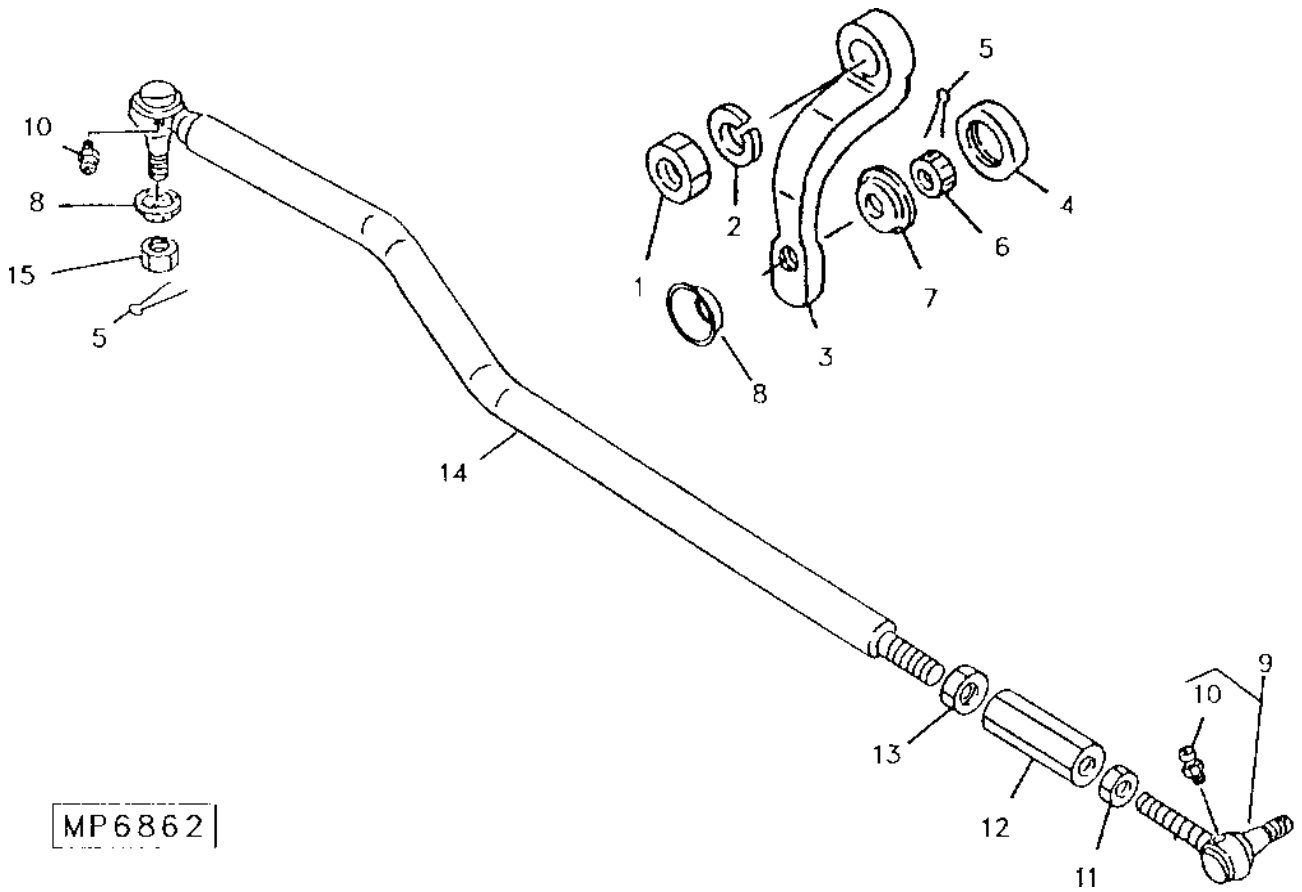
## POWER STEERING CYLINDER (MFWD) (CONTINUED)

KEY	PART NO.	PART NAME	QTY	SERIAL NO.	REMARKS
				1	
				8 9 0	
				7 7 7	
				0 0 0	
1	AM876670	ROD	1		(SUB FOR AM876671)
2	11M7021	COTTER PIN	2		4 X 25 MM
3	CH17199	NUT	2		
4	M804236	RING	2		(SUB FOR CH13706)
5	M804235	COVER	2		(SUB FOR CH13705)
6	CH15805	FITTING	2		
7	AM876671	ROD	1		(SUB AM876670)
8	40M4624	SNAP RING	1		(SUB FOR CH16110)
9	M802897	RING	1		
10	M802895	SCRAPER	1		
11	M802896	SEAL	1		
12	M802886	RING	1		
13	M806543	PACKING	1		(SUB FOR M802904)
14	M802894	CAP	1		
15	M802905	BUSHING	1		
16	CH14634	O-RING	1		
17	M802901	RING	2		
18	M802902	SEAL	1		
19	M802900	PISTON	1		
20	M802899	RING	1		
21	M802906	LOCK NUT	1		
22	AM877176	HYDRAULIC CYLINDER	1	X	(A) (SUB AM878652)
23	M802903	FITTING	4		(A) (B) (SUB FOR M804247)
24	AM877171	HYDRAULIC CYLINDER	1	X X	(B) (SUB AM878653)
25	AM878652	KIT	1		POWER STEERING CYLINDER (INCLUDES PARTS MARKED (A))
	AM878653	KIT	1		POWER STEERING (INCLUDES PARTS MARKED (B))

# 1H11

MP6862 -UN-01JAN94

## STEERING ROD FOR MANUAL STEERING



MP6862

# 1H12

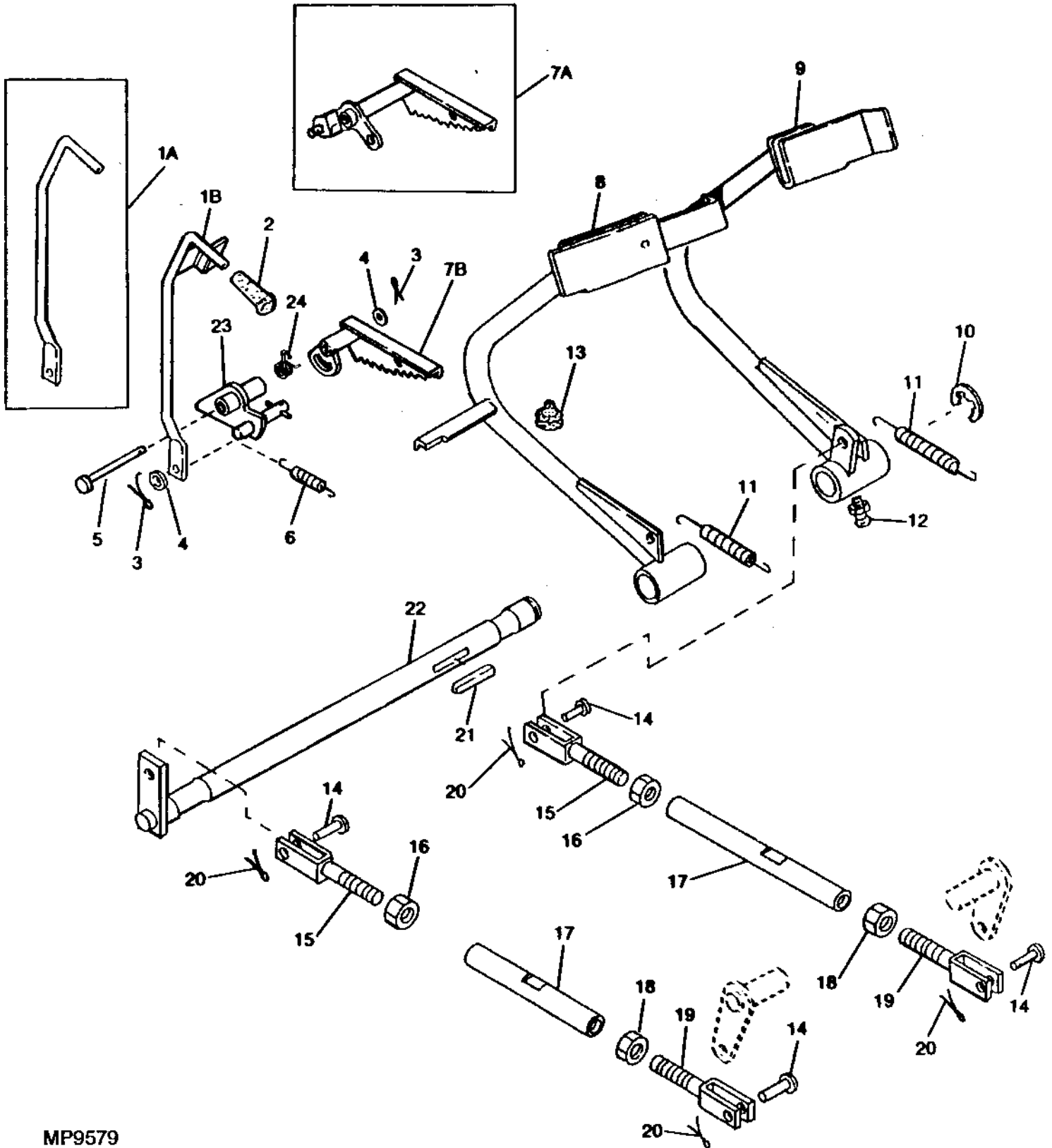
## STEERING ROD FOR MANUAL STEERING

KEY	PART NO.	PART NAME	QTY	SERIAL NO.	REMARKS
				1 8 9 0 7 7 7 0 0 0	
1	M801448	NUT	1	X X	
2	12H245	LOCK WASHER	1	X X	7/8"
3	M804228	PITMAN ARM	1	X X	
4	M804232	CAP	1	X X	NUT
5	CH12320	PIN	2	X	(A)
	CH12320	PIN	4	X	(A)
6	CH11450	NUT	1	X	
	CH13707	NUT	1	X	(A)
7	M804233	WASHER	1	X X	
8	CH11448	COVER	4	X	(A)
	CH11448	COVER	2	X	(A)
9	.....	ROD	1	X	RH, (ORDER AM878077)
10	CH15805	FITTING	4	X	(A)
	CH15805	FITTING	2	X	(A)
11	CH11462	NUT	1	X	(A) RH
12	M800360	TURNBUCKLE	1	X	
13	CH16314	NUT	1	X	LH
14	AM877162	DRAG LINK	1	X	(A)
	AM877165	DRAG LINK	1	X	
15	CH13707	NUT	1	X	
	CH11450	NUT	1	X	
..	AM878077	KIT	1		TIE ROD END (INCLUDES PARTS MARKED (A))

# 1H13

MP9579 -UN-02JAN94

## BRAKE PEDALS



MP9579



# 1H14

## STEERING AND BRAKES

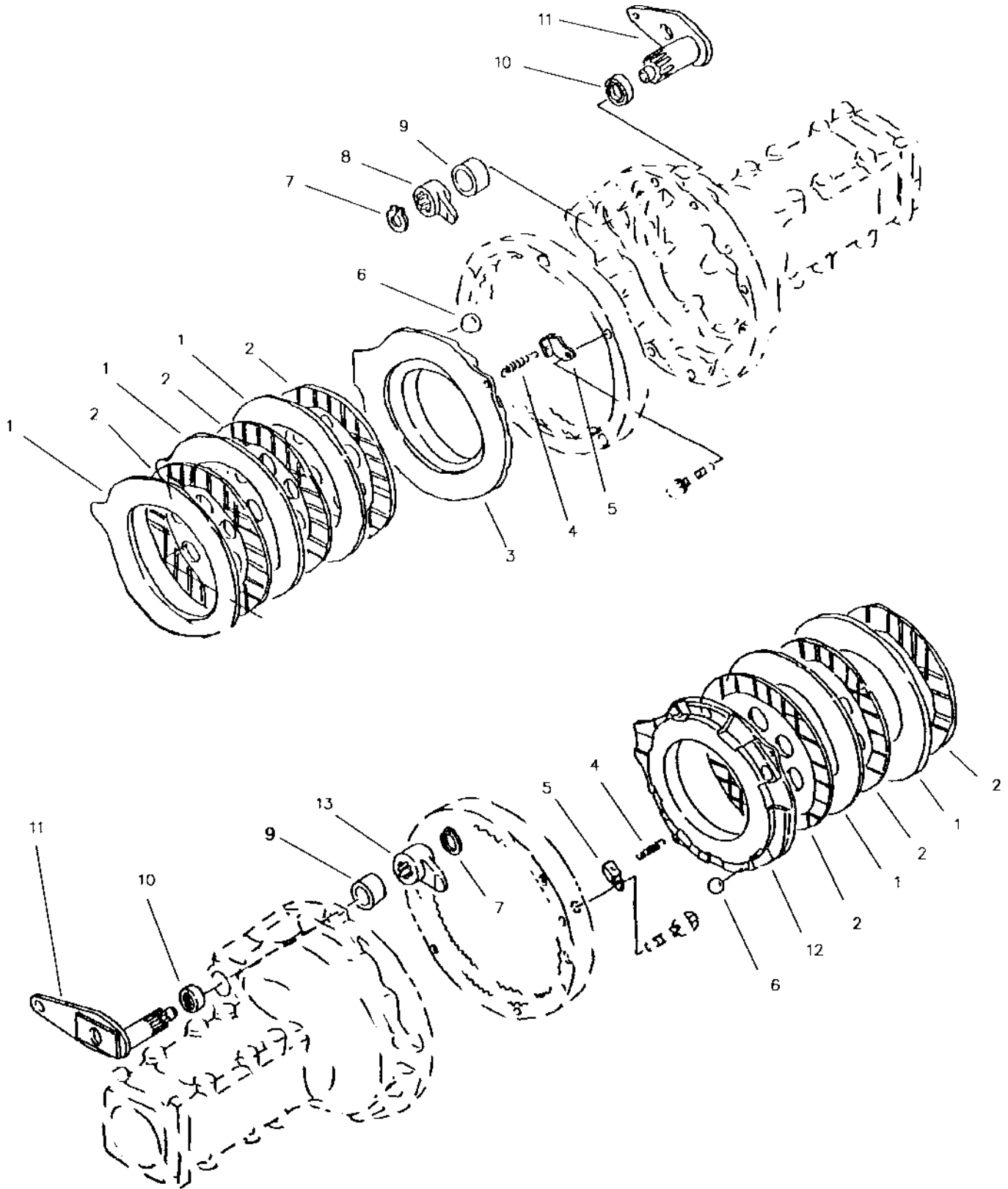
### BRAKE PEDALS (CONTINUED)

KEY	PART NO.	PART NAME	QTY	SERIAL NO.	REMARKS
1A	AM877523	PARK LOCK	1		(SUB AM878136, M805800, AM878137, AM878138, M805524, M805811, AM878139, (2) 24M7055 AND (2) CH12319)
1B	AM878136	LEVER	1		
2	M805459	KNOB	1		
3	11M7081	COTTER PIN	2		2.500 X 20 MM
4	24M7055	WASHER	2		8.400 X 16 X 1.600 MM
5	M804708	PIN	1		FLAT HEAD
6	M803817	SPRING	1		
7A	AM877524	PARK LOCK	1		PARK BRAKE, (SUB AM878136, M805800, AM878137, AM878138, M805524, M805811, AM878139, (2) 24M7055 AND (2) CH12319)
7B	AM878137	LEVER	1		PARK BRAKE
8	AM877521	PEDAL	1		LH BRAKE
9	AM877522	PEDAL	1		RH BRAKE
10	CH15088	SNAP RING	1		
11	M804473	SPRING	2		RETURN
12	CH11574	FITTING	1		
13	CH15270	BUMPER	2		PEDAL
14	M805040	PIN	4		
15	CH11061	ROD	2		
16	14M7274	NUT	2		M10
17	CH10988	TURNBUCKLE	2		
18	14M7228	NUT	2		M10
19	M804721	YOKE	2		LH SCREW
20	11M7078	COTTER PIN	4		2 X 20 MM
21	CH11542	KEY	1		
22	AM877520	SHAFT	1		
23	AM878138	LEVER	1		PARK BRAKE
24	M805800	TORSION SPRING	1		

# 1H15

MP9616 -UN-02JAN94

## BRAKE ASSEMBLY



MP9616

# 1H16

STEERING AND BRAKES

## BRAKE ASSEMBLY (CONTINUED)

KEY	PART NO.	PART NAME	QTY	SERIAL NO.	REMARKS
				1	
				8 9 0	
				7 7 7	
				0 0 0	
1	M804700	PLATE	AR		
2	M804698	PLATE	AR		
3	M804696	ACTUATOR	1		RH
4	M804695	EXTENSION SPRING	4		
5	M804699	HOOK	4		SPRING
6	M804707	BALL	12		
7	CH13488	SNAP RING	2		
8	M804702	CAM	1		RH
9	M804705	SLEEVE	2	X X	CAM LEVER
	M804706	SLEEVE	2	X	CAM LEVER
10	M800600	SEAL	2		
11	AM877519	SHAFT	2		CAM LEVER
12	M804697	ACTUATOR	1		LH
13	M804701	CAM	1		LH

---

MEMORANDA

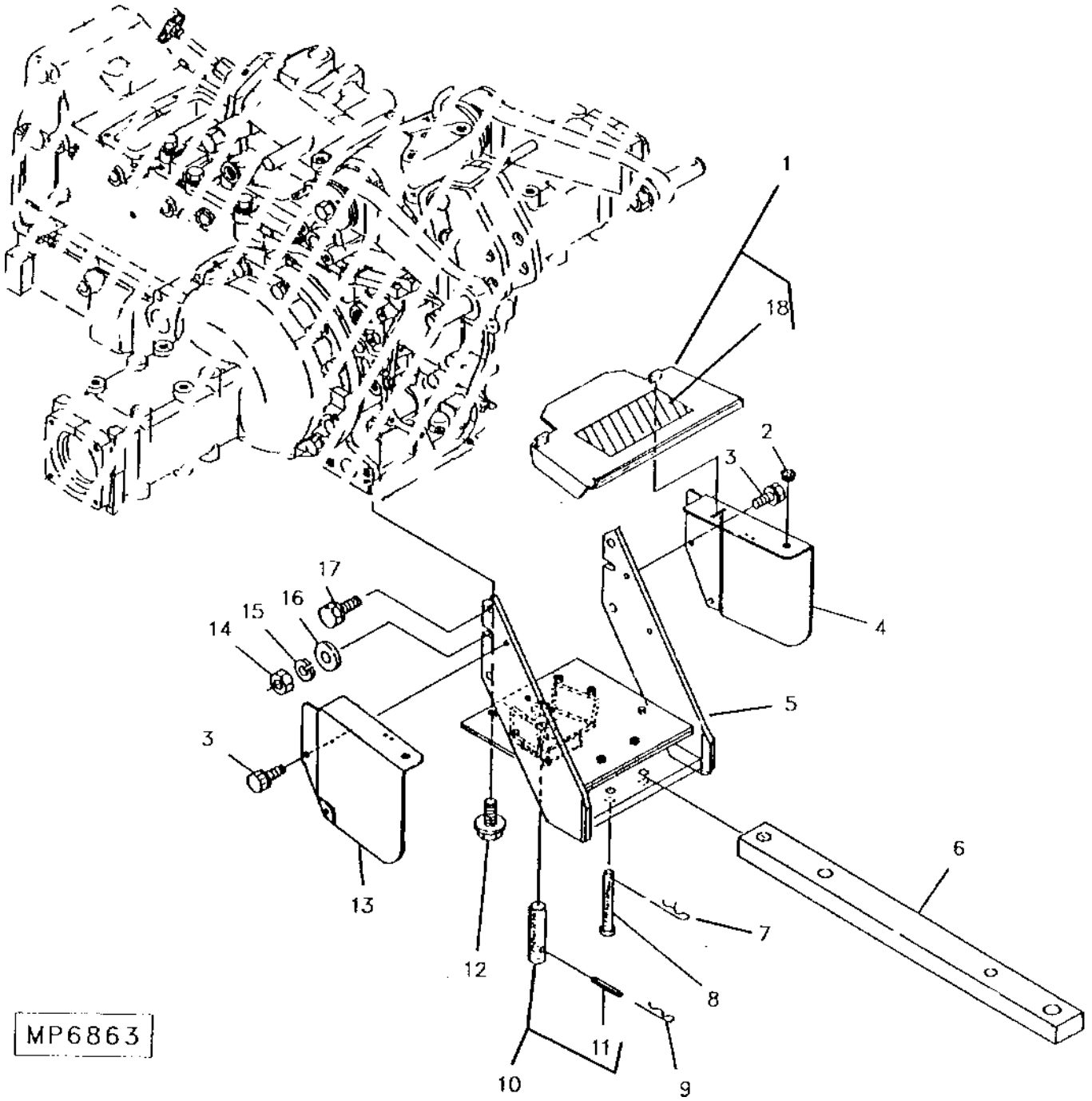
MEMORANDA

# 1H19

MP6863

-UN-01JAN94

## DRAWBAR



MP6863

# 1H20

HYDRAULICS

## DRAWBAR (CONTINUED)

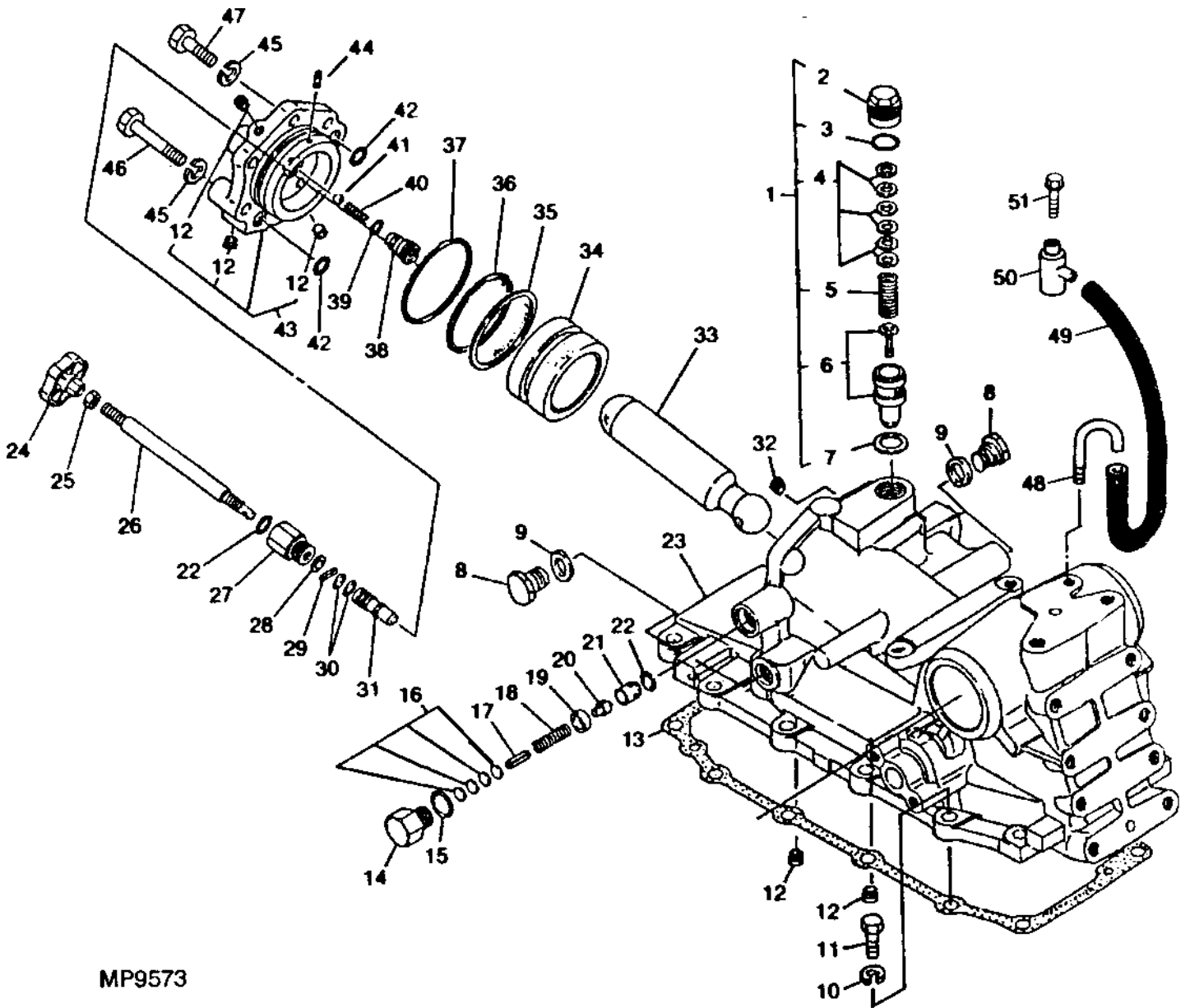
KEY	PART NO.	PART NAME	QTY	SERIAL NO.	REMARKS
1	AM877580	GUARD	1		
2	T113976	GROMMET	2		
3	19M7557	CAP SCREW	4	M10 X 16	
	12M7066	LOCK WASHER	4	10.200 MM	
4	AM877582	BRACKET	1	RH	
5	AM878876	BRACKET	1	(SUB FOR AM877583)	
6	M804888	HITCH	1		
7	M40461	SPRING LOCKING PIN	2		
8	M804887	PIN	2		
9	CH15317	PIN	1		
10	AM877584	QUICK LOCK PIN	1		
11	CH17125	PIN	1		
12	M804143	BOLT	4		
13	AM877755	BRACKET	1	LH	
14	14M7275	NUT	2	M12	
15	12M7067	LOCK WASHER	2	12.200 MM	
16	24M7047	WASHER	2	13 X 24 X 2.500 MM	
17	19M8011	CAP SCREW	2	M12 X 30 (HS, HEAD MARKED 10.9)	
	12M7067	LOCK WASHER	2	12.200 MM	
18	M117557	LABEL	1	(SUB FOR M85522)	

# 1H21

MP9573

-UN-02JAN94

## ROCKSHAFT CASE ASSEMBLY



MP9573



# 1H22

HYDRAULICS

## ROCKSHAFT CASE ASSEMBLY (CONTINUED)

KEY	PART NO.	PART NAME	QTY	SERIAL NO.	REMARKS
1	CH16545	VALVE	1		RELIEF
2	CH13234	PLUG	1		RELIEF VALVE
3	CH13233	PACKING	1		RELIEF VALVE
4	CH13559	SHIM	1		KIT
5	CH13232	SPRING	1		RELIEF VALVE
6	CH13231	RELIEF VALVE	1		
7	CH13235	GASKET	1		RELIEF VALVE
8	M803022	PLUG	AR		(A)
9	M800848	GASKET	AR		(A)
10	12M7067	LOCK WASHER	12		12.200 MM
11	19M7403	CAP SCREW	12		M12 X 35 (HS, HEAD MARKED 10.9)
12	15H558	PIPE PLUG	5		(A) 1/8"
13	M804729	GASKET	1		CASE
14	M803242	PLUG	1		
15	CH14634	O-RING	1		
16	AM876765	SHIM	1		KIT
17	CH13609	SPRING PIN	1		
18	CH11885	COMPRESSION SPRING	1		
19	M803241	BUSHING	1		
20	M800662	POPPET	1		VALVE
21	M800661	VALVE SEAT	1		
22	CH10568	PACKING	2		
23	AM877526	CASE	1		ROCKSHAFT (INCLUDES PARTS MARKED (A))
	AM878149	CASE	1		ROCKSHAFT (870 DRAFT SENSING VERSION; 1070 CREEPER VERSION) (INCLUDES PARTS MARKED (A))
24	M803240	KNOB	1		
25	14M7274	NUT	1		M10
26	M804778	BOLT	1		STOP VALVE
27	CH15143	GUIDE	1		SCREW
28	24M7095	WASHER	1		8.400 X 15 X 1.600 MM
29	CH12294	PIN	1		
30	CH11561	PACKING	2		
31	M804777	SHUT-OFF VALVE	1		STOP
32	15H559	PIPE PLUG	1		(A) 1/4"
33	CH10993	ROD	1		PISTON
34	M804742	PISTON	1		
35	CH10992	WASHER	1		BACKUP
36	CH11567	PACKING	1		
37	CH17160	PACKING	1		
38	M804736	PLUG	1		CHECK VALVE
39	M804741	PACKING	1		
40	M804735	COMPRESSION SPRING	1		CHECK
41	M804740	BALL	1		
42	CH11570	O-RING	2		
43	AM877528	CYLINDER HEAD	1		
44	M803261	PIN	1		
45	12M7067	LOCK WASHER	6		12.200 MM
46	19M7330	CAP SCREW	1		M12 X 55
47	19M7403	CAP SCREW	5		M12 X 35 (HS, HEAD MARKED 10.9)
48	CH11403	PIPE	1		
49	M805047	HOSE	1		
50	M805048	BREATHER	1		
51	19M7864	SCREW	1		M8 X 12 (HS, HEAD MARKED 10.9)

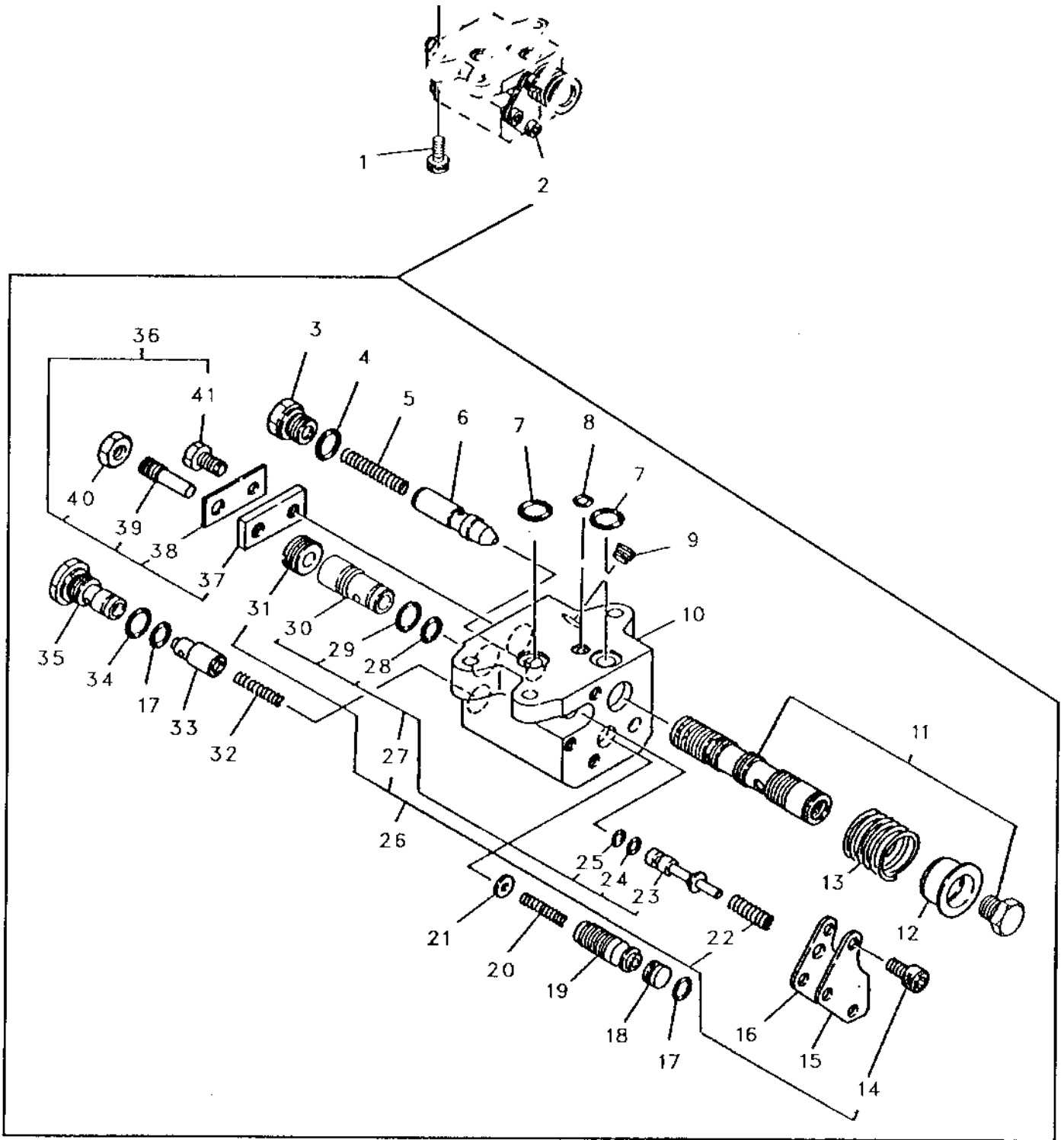
# 1H23

HYDRAULICS

## ROCKSHAFT CONTROL VALVE (870 W/O DRAFT SENSING)(970)

MP6844

-UN-01JAN94



MP6844

# 1H24

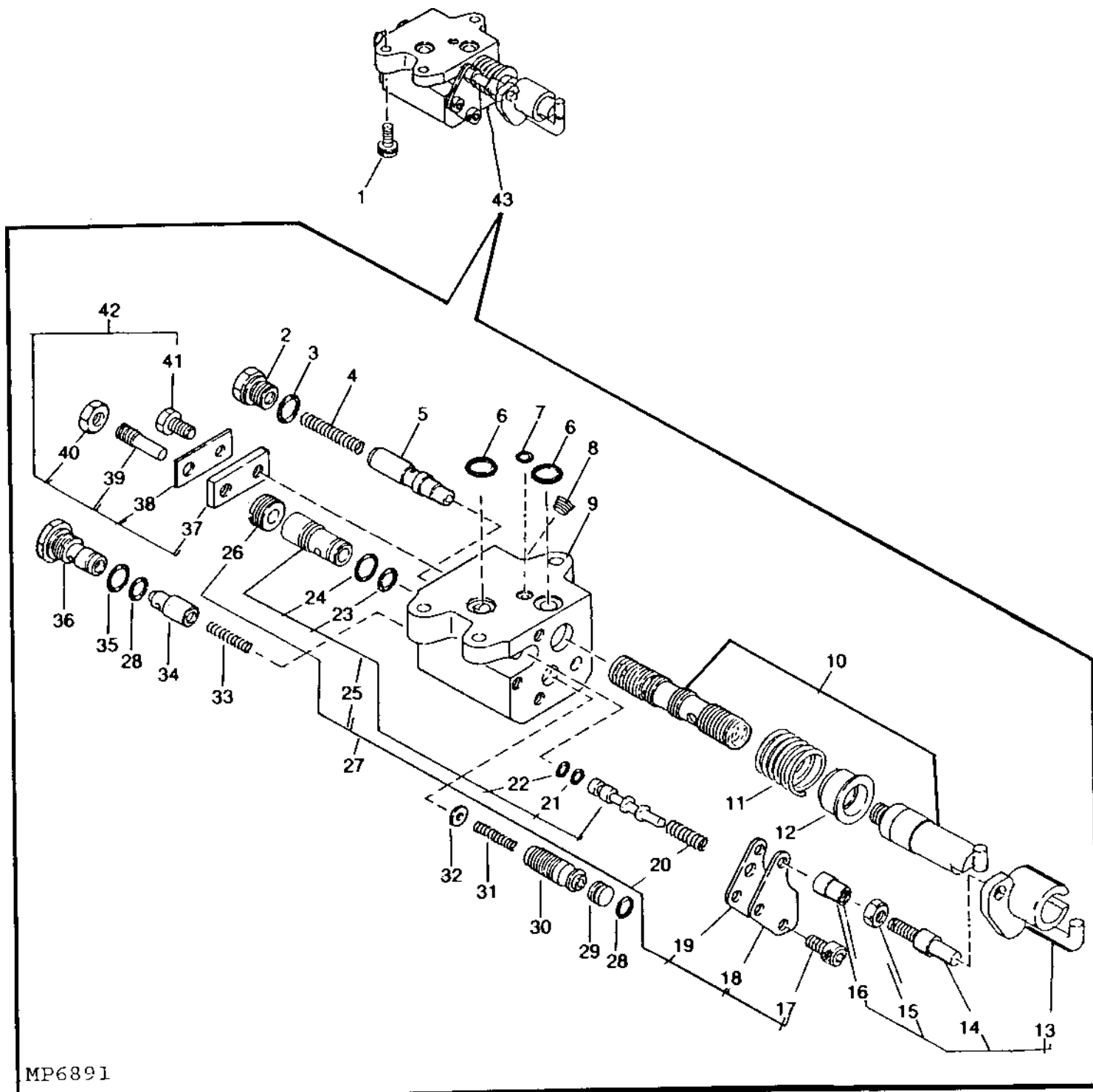
HYDRAULICS

## ROCKSHAFT CONTROL VALVE (870 W/O DRAFT SENSING)(970) (CONTINUED)

KEY	PART NO.	PART NAME	QTY	SERIAL NO.	REMARKS
1	CH13542	BOLT	3		
2	AM877531	ROCKSHAFT UNIT	1		
3	M804754	BOLT	1	(A) UNLOAD	
4	CH10569	PACKING	1	(A)	
5	M804753	SPRING	1	(A)	
6	.....	POPPET	1	(A) (ORDER AM877532)	
7	M804750	PACKING	2	(A)	
8	M804751	PACKING	1	(A)	
9	15H559	PIPE PLUG	1	(A) 1/4"	
10	AM877532	VALVE COVER	1	(INCLUDES PARTS MARKED (A))	
11	.....	SPOOL	1	(A) (ORDER AM877532)	
12	M804762	HOLDER	1	(A)	
13	M804761	SPRING	1	(A)	
14	CH11624	BOLT	3		
15	M804772	HOLDER	1		
16	M804773	HOLDER	1		
17	M804764	O-RING	2	(A)	
18	M804757	PIN	1	(A)	
19	M804755	SPOOL VALVE	1	(A)	
20	M804756	SPRING	1	(A)	
21	M804763	SHIM	1	(A)	
22	M804770	SPRING	1		
23	.....	POPPET	1	(ORDER AM877535)	
24	CH10567	PACKING	1		
25	M804767	BACK-UP RING	1		
26	AM877534	POPPET	1		
27	AM877535	POPPET	1		
28	M804768	PACKING	1		
29	M804769	PACKING	1		
30	.....	SEAT	1	(ORDER AM877535)	
31	M804771	PLUG	1		
32	M804770	SPRING	1	(A)	
33	.....	SEAT	1	(A) (ORDER AM877532)	
34	CH10570	PACKING	1	(A)	
35	.....	POPPET	1	(A) (ORDER AM877532)	
36	AM877536	BAR	1		
37	M804775	STRAP	1		
38	M804776	STRAP	1		
39	M804774	BAR	1		
40	CH12404	NUT	1		
41	CH11601	BOLT	1		

MP6891 -UN-02JAN94

## ROCKSHAFT CONTROL VALVE (870 DRAFT SENSING)(1070)



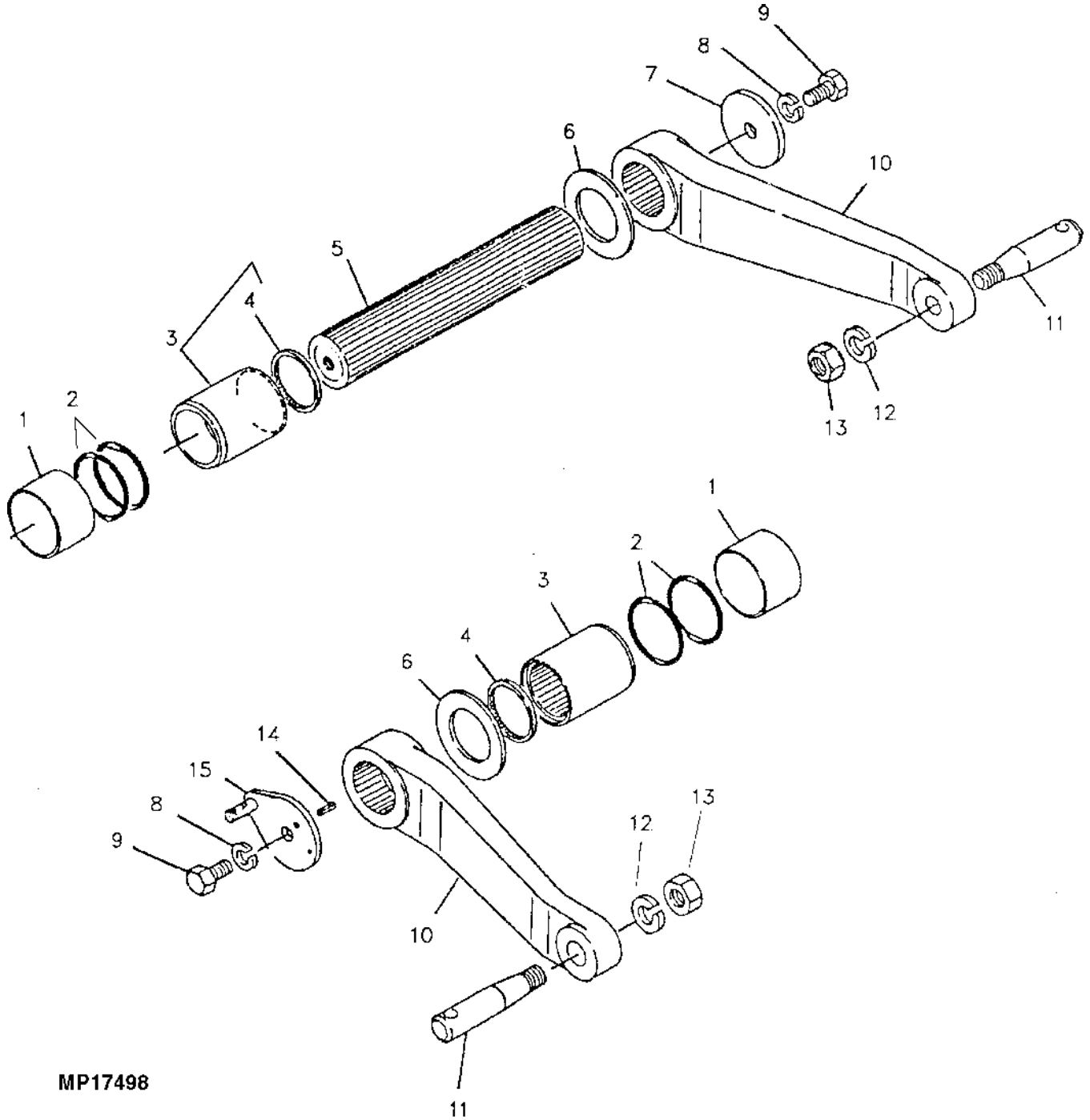
MP6891

## ROCKSHAFT CONTROL VALVE (870 DRAFT SENSING)(1070) (CONTINUED)

KEY	PART NO.	PART NAME	QTY	SERIAL NO.	REMARKS
1	CH13542	BOLT	3		
2	M804754	BOLT	1	(A)	
3	CH10569	PACKING	1	(A)	
4	M804753	SPRING	1	(A)	
5	.....	POPPET	1	(A)	UNLOAD, (ORDER AM877751)
6	M804750	PACKING	2	(A)	
7	M804751	PACKING	1	(A)	
8	15H559	PIPE PLUG	1	(A)	1/4"
9	.....	CASE	1	(A)	VALVE, (ORDER AM877751)
10	AM877756	PIN	1		
11	M804761	SPRING	1	(A)	
12	M804762	HOLDER	1	(A)	SPRING
13	M805166	PIN	1		SPOOL DRAFT
14	M805167	BOLT	1		ADJUST
15	M805169	NUT	1		
16	M805168	BOLT	1		ADJUST
17	CH11624	BOLT	2		
18	M804772	HOLDER	1		
19	M804773	HOLDER	1		
20	M804770	SPRING	1		
21	CH10567	PACKING	1		
22	M804767	BACK-UP RING	1		BACKUP
23	M804768	PACKING	1		
24	M804769	PACKING	1		
25	AM877754	POPPET	1		LOWERING
26	M804771	PLUG	1		
27	AM877753	POPPET	1		
28	M804764	O-RING	2	(A)	
29	M804757	PIN	1	(A)	
30	M804755	SPOOL VALVE	1	(A)	
31	M804756	SPRING	1	(A)	
32	M804763	SHIM	1	(A)	
33	M804759	SPRING	1	(A)	
34	.....	POPPET	1	(A)	CHECK, (ORDER AM877751)
35	CH10570	PACKING	1	(A)	
36	.....	SEAT	1	(A)	CHECK, (ORDER AM877751)
37	M804775	STRAP	1		SPOOL
38	M804776	STRAP	1		
39	M804774	BAR	1		PUSH
40	CH12404	NUT	1		
41	CH11601	BOLT	1		
42	AM877536	BAR	1		PUSH
43	AM877750	VALVE	1		ROCKSHAFT
..	AM877751	CASE	1		VALVE (INCLUDES PARTS MARKED (A))

MP17498 -UN-02MAY97

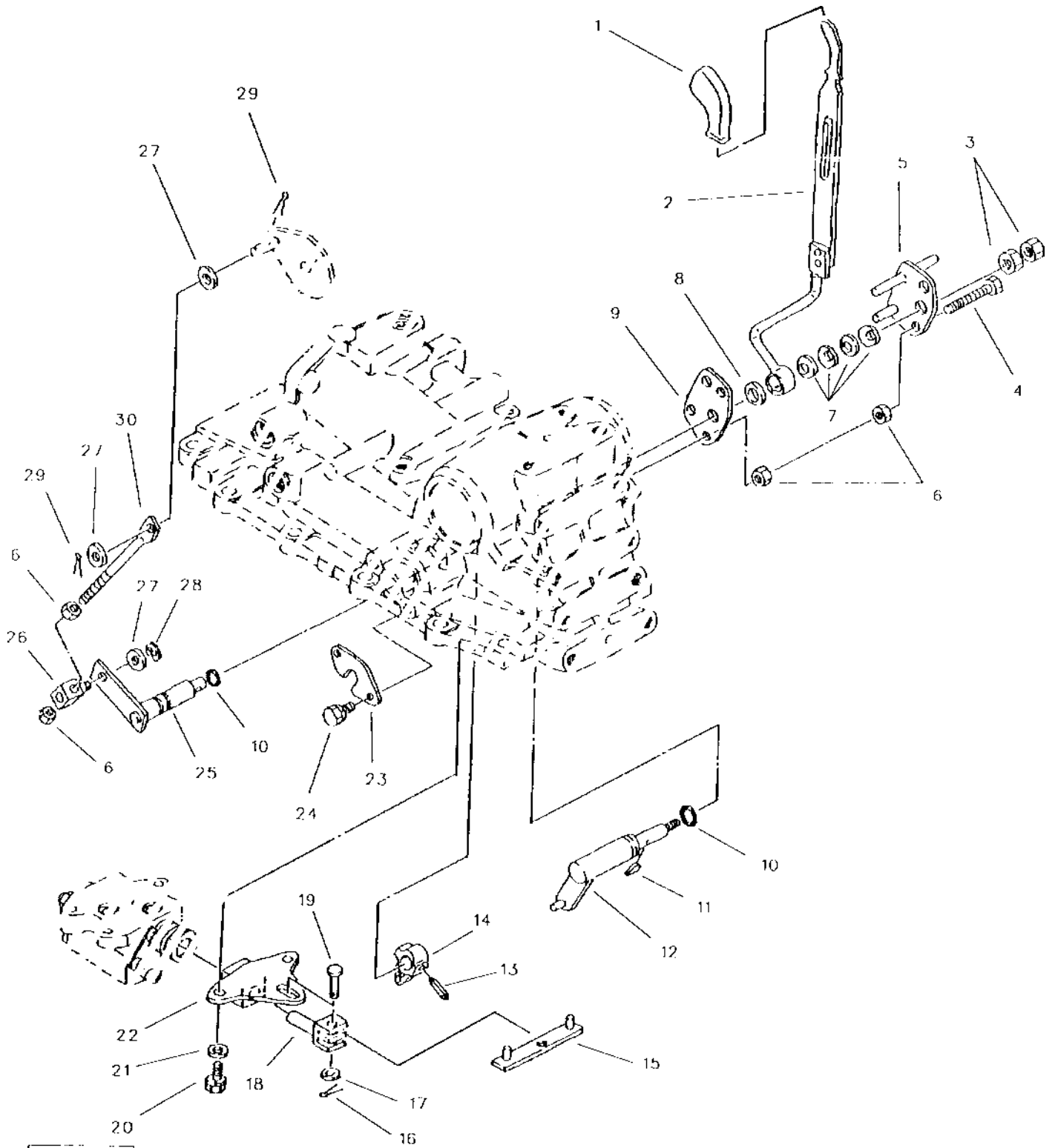
## ROCKSHAFT LIFT ARMS



MP17498

## ROCKSHAFT LIFT ARMS (CONTINUED)

KEY	PART NO.	PART NAME	QTY	SERIAL NO.	REMARKS
1	CH10990	BUSHING	2		
2	CH11571	PACKING	4		
3	AM878659	SLEEVE	2		
4	M801034	O-RING	1		
5	CH11285	SHAFT	1		
6	CH10995	WASHER	2		
7	CH10999	WASHER	1		
8	12M7067	LOCK WASHER	2		12.200 MM
9	19M7872	CAP SCREW	2		M12 X 25 (HS, HEAD MARKED 10.9)
10	CH17515	ARM	2		ROCKSHAFT
11	CH10998	STUD	2		
12	12M7069	LOCK WASHER	2		16.200 MM
13	CH12395	NUT	2		
14	CH11495	PIN	1		
15	AM877530	PLATE	1		FEED BACK



MP6839



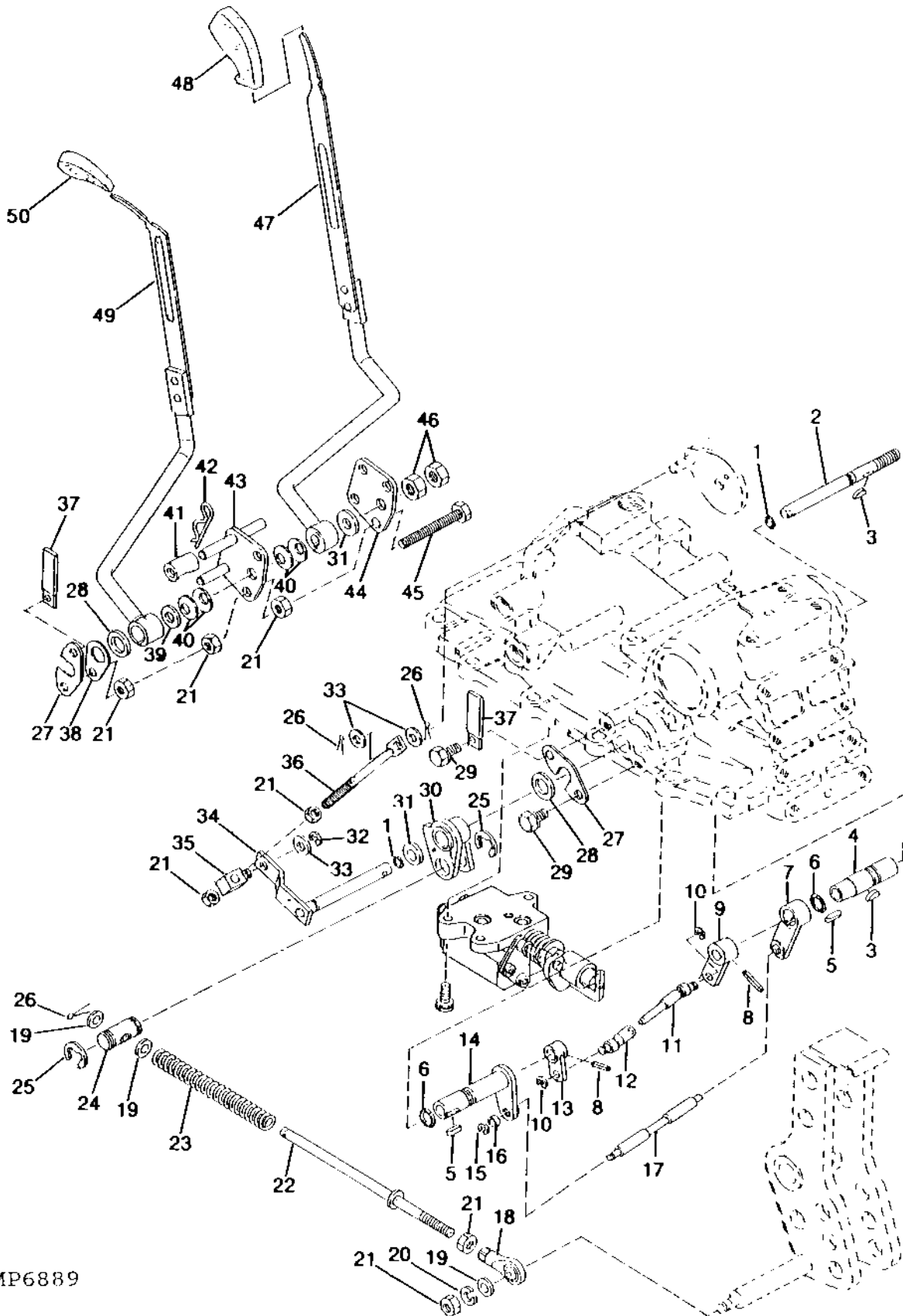
## HYDRAULIC CONTROL (870/970) (CONTINUED)

KEY	PART NO.	PART NAME	QTY	SERIAL NO.	REMARKS
1	M803245	KNOB	1		
2	AM877537	CONTROL LEVER	1		
3	14M7275	NUT	2	M12	
4	M804816	BOLT	2		
5	AM877757	PLATE	1		FRICTION (SUB FOR AM877540)
6	14M7274	NUT	6		M10
7	12M6191	DISK SPRING	4		
8	CH15163	PLATE	1		FRICTION
9	.....	PLATE	1		CONTROL, (ORDER AM877757)
10	CH17159	PACKING	2		
11	CH12762	SHAFT KEY	1		WOODRUFF
12	AM877543	SHAFT	1		CONTROL
13	CH14906	SPRING PIN	1		
14	AM877541	ARM	1		CONTROL
15	AM877544	BAR	1		CONTROL
16	11M7009	COTTER PIN	1		2 X 16 MM
17	24M7095	WASHER	1		8.400 X 15 X 1.600 MM
18	M804788	ROD	1		CONTROL
19	M804474	PIN	1		FLAT HEAD
20	19M7881	SCREW	2		M8 X 20 (HS, HEAD MARKED 10.9)
	12M7065	LOCK WASHER	2		8.100 MM
21	24M7055	WASHER	2		8.400 X 16 X 1.600 MM
22	M804789	PLATE	1		
23	M804800	PLATE	1		
24	19M7557	CAP SCREW	2		M10 X 16
	12M7066	LOCK WASHER	2		10.200 MM
25	AM877545	ARM	1		
26	M803253	PIN	1		
27	24M7028	WASHER	3		10.500 X 20 X 2 MM
28	CH11490	RING	1		
29	11M7059	COTTER PIN	2		3.200 X 20 MM
30	M804815	EYEBOLT	1		FEED BACK

MP6889

-UN-02JAN94

## HYDRAULIC CONTROL (870 DRAFT SENSING)(1070)



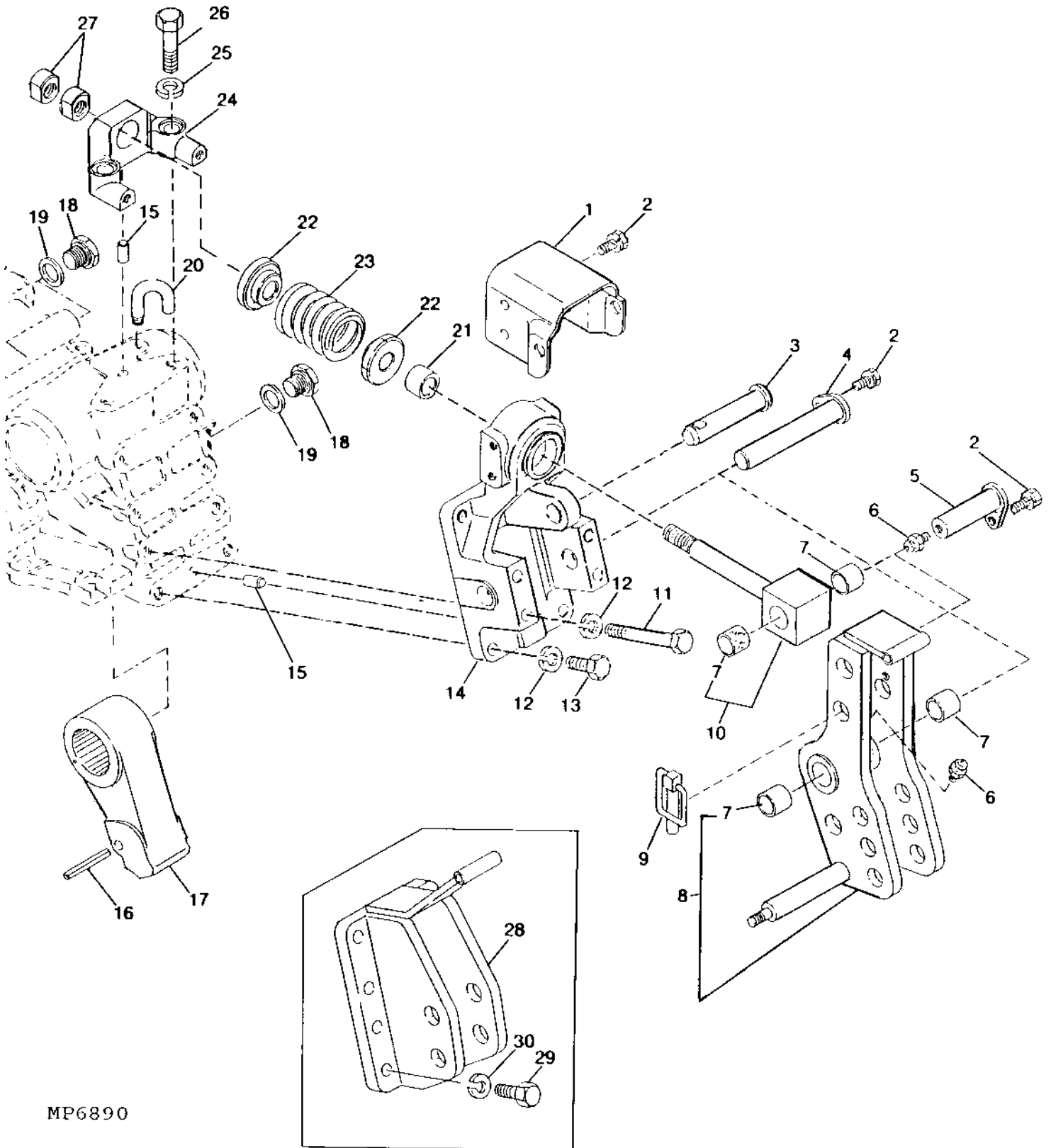
MP6889

HYDRAULIC CONTROL (870 DRAFT SENSING)(1070) (CONTINUED)

KEY	PART NO.	PART NAME	QTY	SERIAL NO.	REMARKS
				1	
				8 0	
				7 7	
				0 0	
1	CH11560	PACKING	2		
2	M804792	SHAFT	1		
3	CH12762	SHAFT KEY	2		WOODRUFF
4	M805178	SHAFT	1		CONTROL DRAFT
5	CH16960	KEY	2		CONTROL
6	CH17159	PACKING	2		
7	AM877765	ARM	1		DRAFT CONTROL
8	CH14906	SPRING PIN	2		CONTROL LEVER
9	AM877764	ARM	1		
10	CH11489	RING	2		
11	AM877760	LINK	1		LH
12	AM877761	LINK	1		RH
13	AM877758	ARM	1		CONTROL POSITION
14	AM877759	ARM	1		CONTROL DRAFT
15	CH13497	SNAP RING	1		
16	M805188	WASHER	1		
17	M805235	ROD	1	X	CONTROL
	M805187	ROD	1	X	
18	M805170	TIE ROD END	1		RIGHT SIDE
19	24M7096	WASHER	3		10.500 X 18 X 1.600 MM, (SUB FOR CH15392)
20	12M7066	LOCK WASHER	1		10.200 MM
21	14M7274	NUT	10		M10
22	AM877766	ROD	1		
23	M805193	COMPRESSION SPRING	1		
24	M805194	PIN	1		
25	CH17540	SNAP RING	2		
26	11M7059	COTTER PIN	3		3.200 X 20 MM
27	M804800	PLATE	2		
28	CH18916	WASHER	2		
29	19M7557	CAP SCREW	2		M10 X 16
	12M7066	LOCK WASHER	2		10.200 MM
30	AM877763	ARM	1		DRAFT FEEDBACK
31	CH15163	PLATE	2		
32	CH11490	RING	1		
33	24M7028	WASHER	3		10.500 X 20 X 2 MM
34	AM877762	ARM	1		
35	M803253	PIN	1		
36	M804815	EYEBOLT	1		
37	M800307	CLAMP	2		
38	M804803	PLATE	1		
39	24M7047	WASHER	1		13 X 24 X 2.500 MM
40	12M6191	DISK SPRING	4		
41	M805195	BUSHING	1		
42	M805215	PIN	1		
43	AM877757	PLATE	1		FRICTION
44	.....	PLATE	1		(ORDER AM877757)
45	19M8049	CAP SCREW	2		M10 X 80
46	14M7275	NUT	2		M12
47	AM878444	LEVER	1	X	
	AM877538	CONTROL LEVER	1	X	
48	M803245	KNOB	1		
49	AM878509	LEVER	1	X	
	AM877539	CONTROL LEVER	1	X	
50	M804810	KNOB	1		

MP6890 -UN-02JAN94

## ROCKSHAFT SUPPORT ASSEMBLY AND BRACKETS



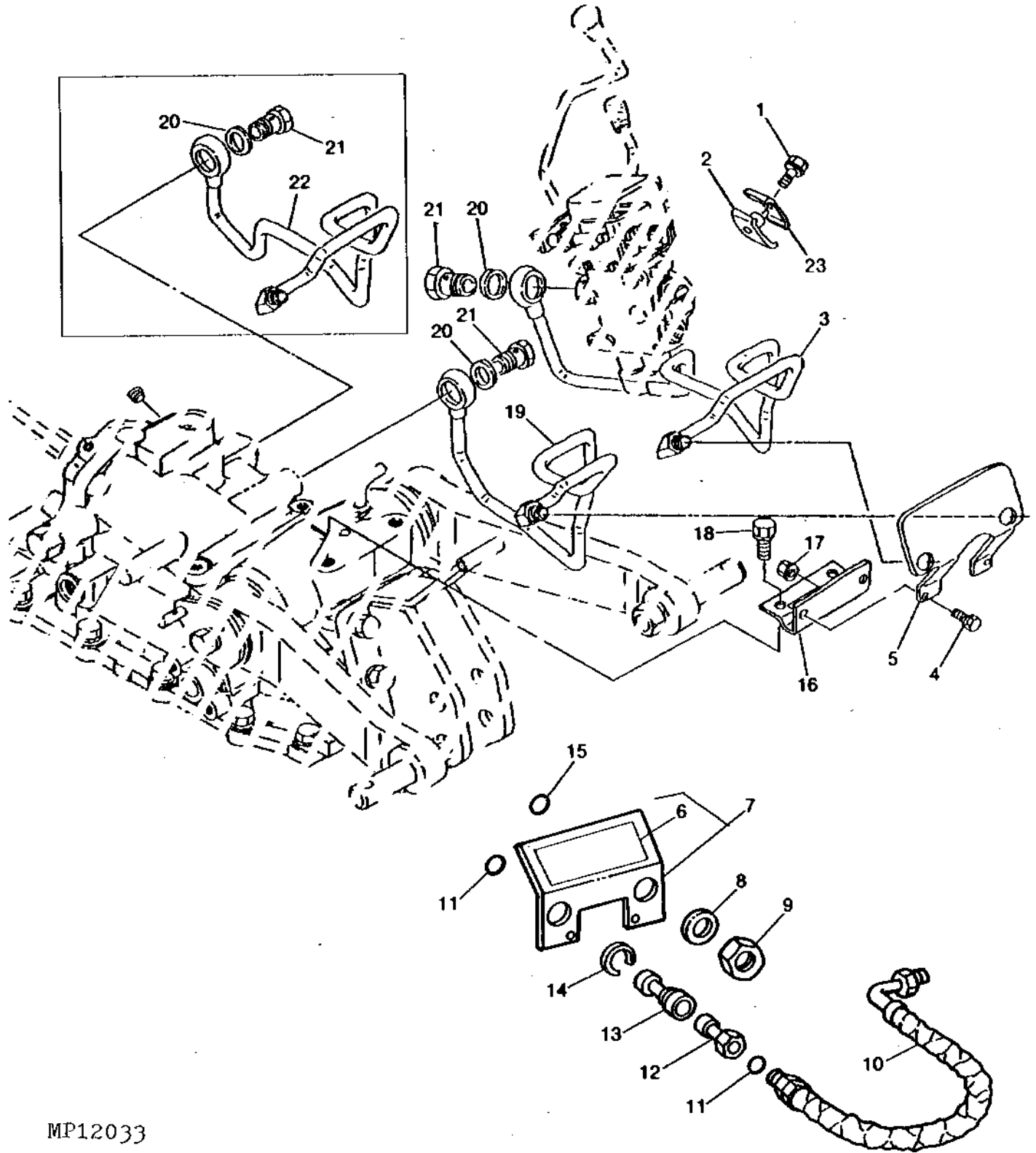
MP6890

ROCKSHAFT SUPPORT ASSEMBLY AND BRACKETS (CONTINUED)

KEY	PART NO.	PART NAME	QTY	SERIAL NO.	1			REMARKS
					8	9	0	
					7	7	7	
					0	0	0	
1	M805209	COVER	1		X	X	(A)	
2	19M7162	CAP SCREW	6		X	X	(A)	M8 X 16
	12M7065	LOCK WASHER	6		X	X	(A)	8.100 MM
3	M805208	PIN	1		X	X	(A)	UPPER
4	AM877769	PIN	1		X	X	(A)	LOWER
5	AM877553	PIN	1		X	X	(A)	
6	CH11574	FITTING	2		X	X	(A)	
7	M804738	BUSHING	4		X	X	(A)	
8	AM877770	BRACKET	1		X	X	(A)	
9	AM876850	PIN	1		X	X	(A)	
10	AM877767	GUIDE	1		X	X	(A)	
11	M802960	BOLT	4		X	X	(A)	
12	12M7067	LOCK WASHER	8		X	X	(A)	12.200 MM, (SUB FOR CH11477)
13	19M7403	CAP SCREW	4		X	X	(A)	M12 X 35 (HS, HEAD MARKED 10.9)
14	M805159	SUPPORT	1		X	X	(A)	HINGE DRAFT
15	CH14795	PIN	1					
16	CH12303	PIN	1					
17	M804743	CRANK	1					
18	M803022	PLUG	4					
19	M800848	GASKET	5					
20	CH11403	PIPE	1					
21	M805206	BUSHING	1		X	X	(A)	
22	M805211	SPACER	2		X	X	(A)	
23	M805199	COMPRESSION SPRING	1		X	X	(A)	
24	AM878865	HOLDER	1	-140000	X	X	(A)	(SUB FOR M805198)
25	12M7068	LOCK WASHER	2	140001-	X	X	(A)	14.200 MM
	CH12008	WASHER	2		X	X	(A)	
26	M806845	BOLT	2		X	X	(A)	
27	M805207	NUT	2		X	X	(A)	
28	AM877527	BRACKET	1		X	X		TOP LINK
29	19M7403	CAP SCREW	8		X	X		M12 X 35 (HS, HEAD MARKED 10.9)
30	12M7067	LOCK WASHER	8		X	X		12.200 MM

(A) MODEL 870 DRAFT SENSING VERSION ONLY; ALL MODEL 1070

## REAR AUXILIARY LINK KIT



MP12033

REAR AUXILIARY LINK KIT (CONTINUED)

KEY	PART NO.	PART NAME	QTY	SERIAL NO.	REMARKS
				1 8 9 0 7 7 7 0 0 0	
1	19M7881	SCREW	1		M8 X 20 (HS, HEAD MARKED 10.9)
	12M7065	LOCK WASHER	1		8.100 MM
2	AM876687	CLAMP	1		(INCLUDES M802950)
3	AM877598	HYDRAULIC LINE	1		PRESSURE
4	19M7162	CAP SCREW	2		M8 X 16
	12M7065	LOCK WASHER	2		8.100 MM
5	AM108399	BRACKET	1		X
	AM108400	BRACKET	1	X X	(SUB FOR M804943)
6	M72810	LABEL	1		(E)
	M76402	LABEL	1		(F)
	M93620	LABEL	1		(G)
7	.....	BRACKET	NA		(NOT USED THIS APPLICATION)
8	24M7051	WASHER	1		21 X 37 X 3 MM
9	T78716	NUT	1		
10	AM105465	HYDRAULIC HOSE	1		
11	R26375	O-RING	2		
12	AM105467	INTERNAL HALF COUPLER	1		
13	AM105466	HYD. QUICK-CONNECT COUPLER	1		(USED ON TRACTOR WITHOUT SCV)
14	M42702	SNAP RING	1		
15	T77857	O-RING	1		
16	M804944	SUPPORT	1		
17	14M7273	NUT	2		M8
	12M7065	LOCK WASHER	2		8.100 MM
18	19M7646	CAP SCREW	2		M14 X 25
	12M7068	LOCK WASHER	2		14.200 MM
19	AM877599	HYDRAULIC LINE	1		
20	M800848	GASKET	4		
21	M800853	BOLT	2		
22	AM877597	HYDRAULIC LINE	1		
23	M802950	CLAMP	1		
..	<b>BM18010</b>	<b>KIT</b>	<b>1</b>		<b>REAR AUXILIARY HYDRAULIC, (SUB FOR AM108271)</b>

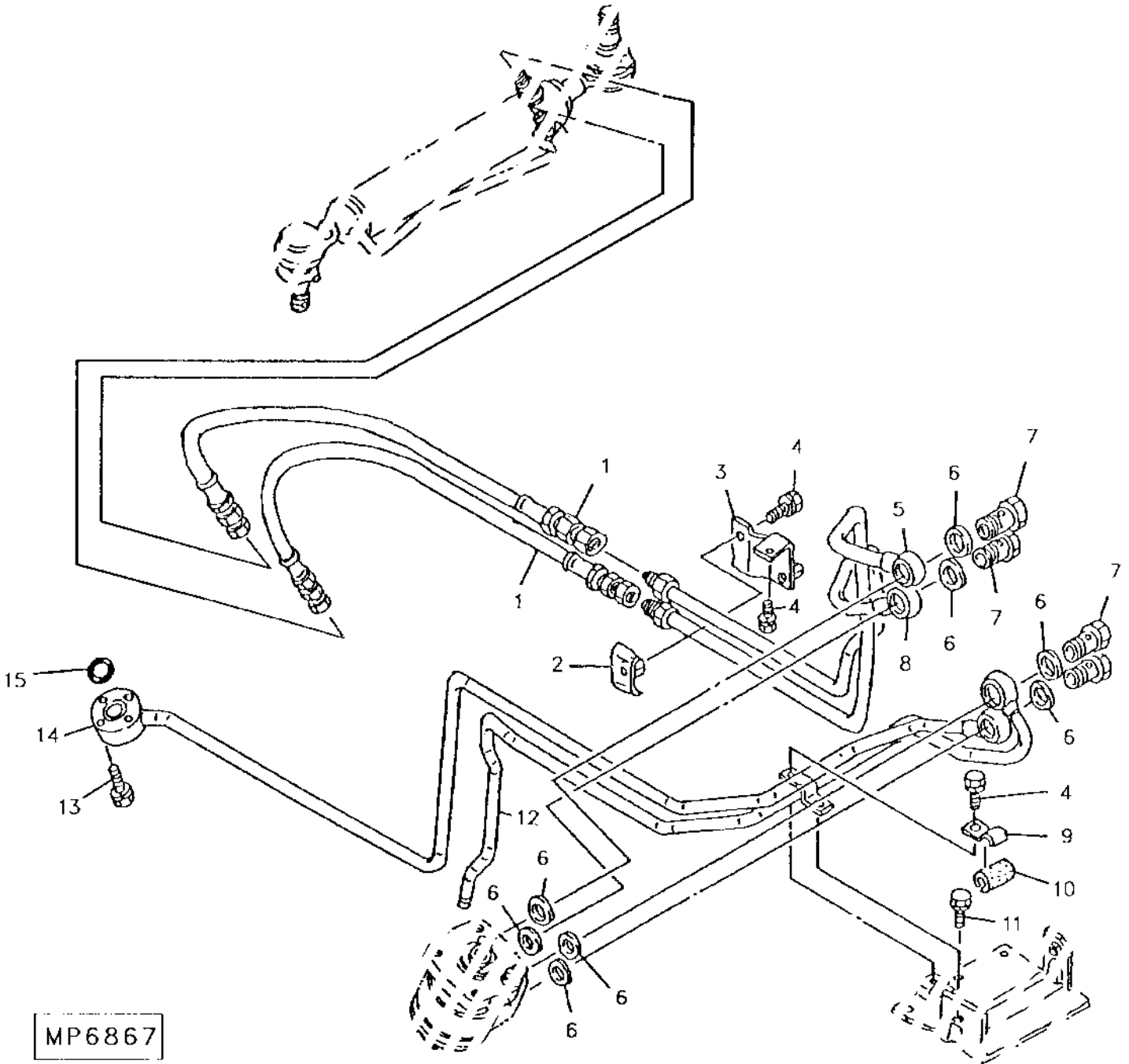
- (E) ENGLISH/ANGLAIS/ENGLISCH
- (F) FRENCH/FRANCAIS/Franzoesisch
- (G) GERMAN/ALLEMAND/DEUTSCH

# 1113

MP6867

-UN-01JAN94

## HYDRAULIC STEERING PIPES AND HOSES



MP6867



## HYDRAULIC STEERING PIPES AND HOSES (CONTINUED)

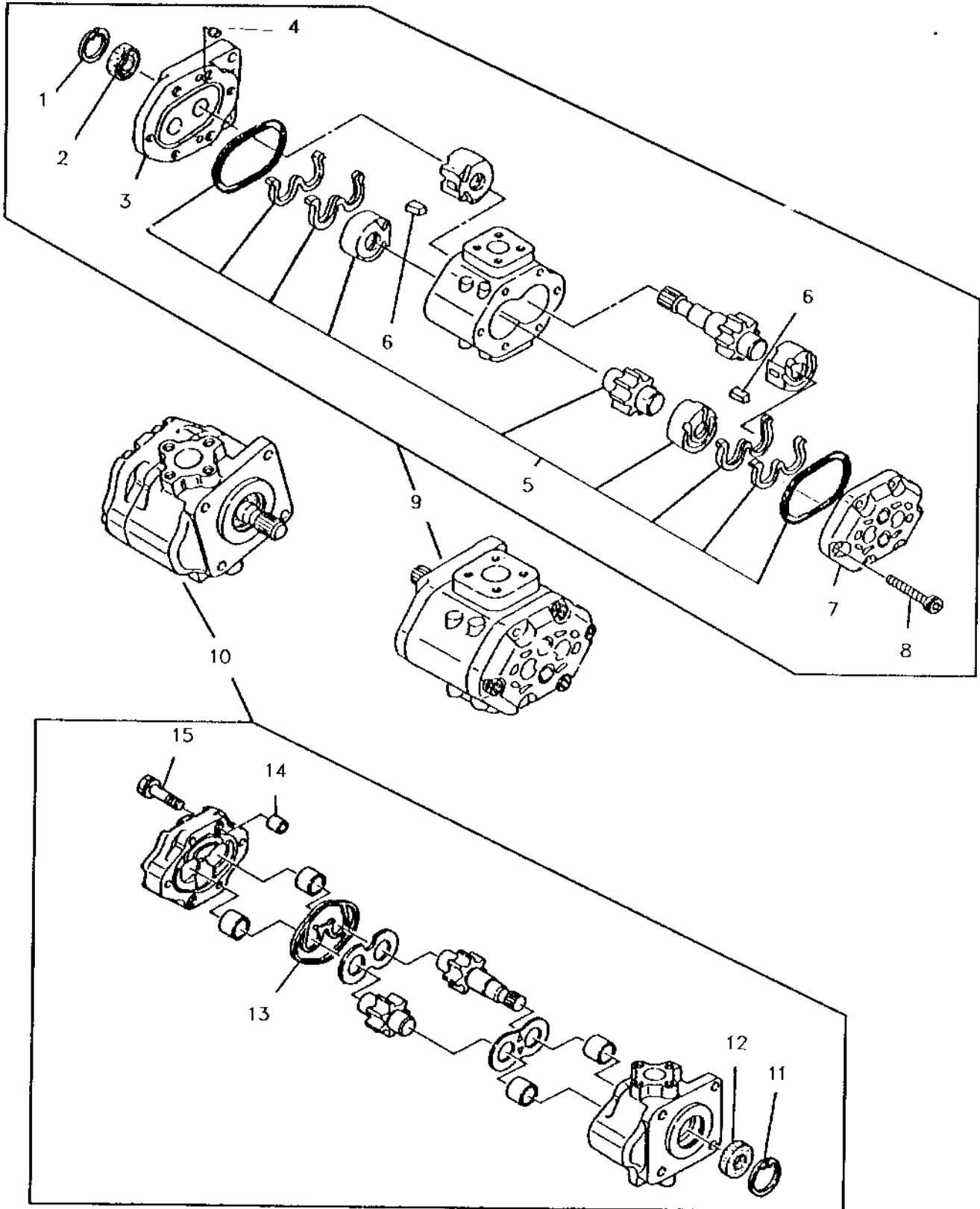
KEY	PART NO.	PART NAME	QTY	SERIAL NO.	1		REMARKS
					8 9 0	7 7 7	
					0 0 0		
1	M804259	HOSE	2		X		
	M804254	HOSE	2			X X	MFWD
	M804260	HOSE	2			X	2WD
	M804255	HOSE	2			X	2WD
2	AM876687	CLAMP	1				
3	AM877183	BRACKET	1				
4	19M7162	CAP SCREW	3				M8 X 16
	12M7065	LOCK WASHER	3				8.100 MM
	19M7865	SCREW	2		X		M8 X 16 (HS, HEAD MARKED 10.9)
							(TRACTORS WITH DRAFT SENSING)
	19M7866	SCREW	1		X		M8 X 20 (HS, HEAD MARKED 10.9)
							(TRACTORS WITH DRAFT SENSING)
5	AM877179	LINE	1				LH
6	M800848	GASKET	8				
7	M800853	BOLT	4				
8	AM877182	LINE	1				RH
9	M802956	CLAMP	1				
10	CH13865	BUSHING	1				(NO LONGER USED IN THIS APPLICATION)
11	19M7881	SCREW	1				M8 X 20 (HS, HEAD MARKED 10.9)
	12M7065	LOCK WASHER	1				8.100 MM
	19M7866	SCREW	1		X		M8 X 20 (HS, HEAD MARKED 10.9)
							(TRACTORS WITH DRAFT SENSING)
12	AM877185	LINE	1		X		
	AM877181	LINE	1			X X	
13	19M7077	CAP SCREW	4		X		M6 X 20
	12M7006	LOCK WASHER	4		X		6.100 MM
	T111732	SCREW, WITH WASHER	4			X X	
	CH19141	BOLT	4		X		(TRACTORS WITH DRAFT SENSING)
14	AM877184	LINE	1		X		
	AM877180	LINE	1			X X	
15	CH11562	PACKING	1				

# 1115

MP6845

-UN-01JAN94

## HYDRAULIC PUMPS



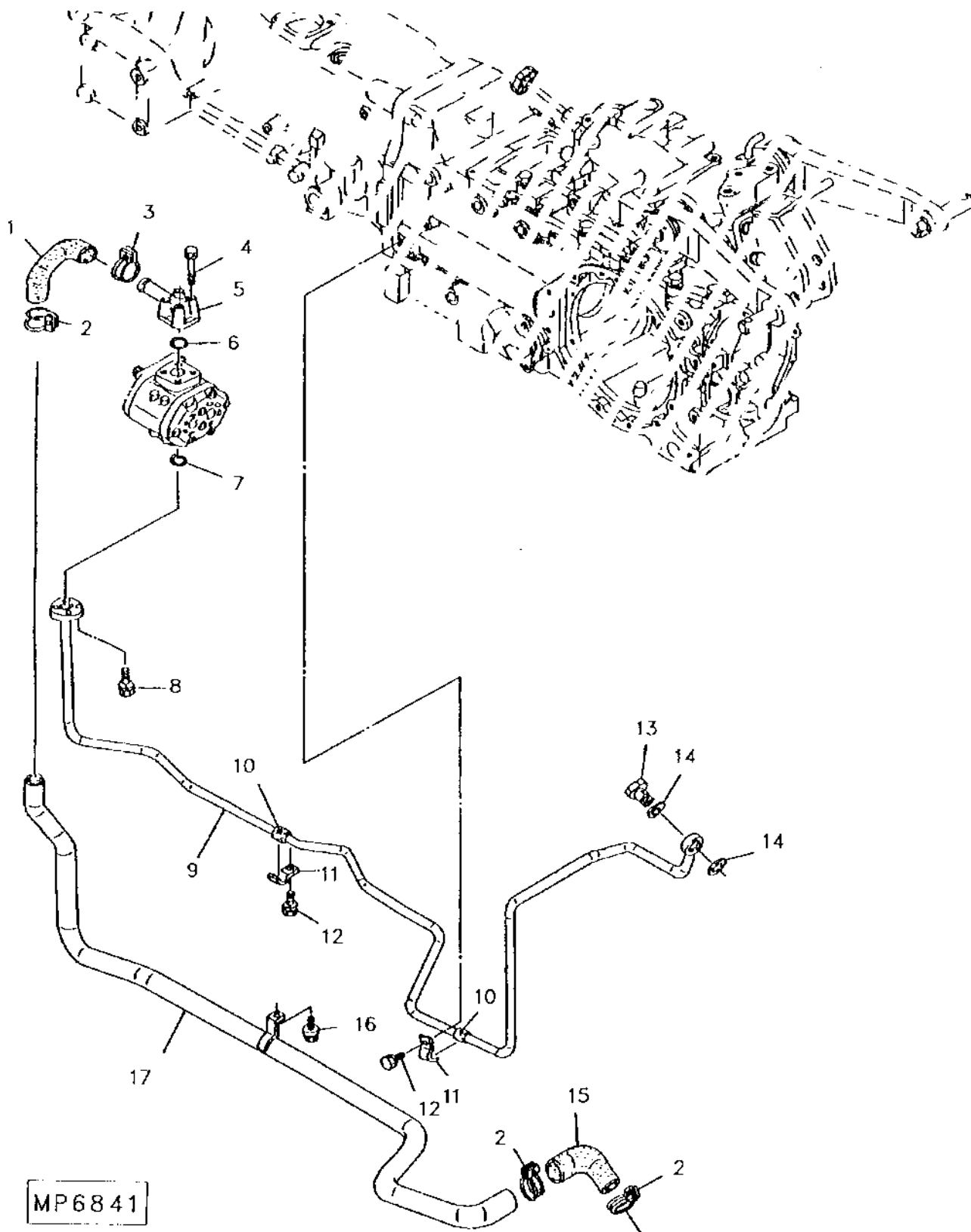
MP6845

# 1116

HYDRAULICS

## HYDRAULIC PUMPS (CONTINUED)

KEY	PART NO.	PART NAME	QTY	SERIAL NO.	REMARKS
1	CH14432	RING	1		
2	CH14431	SEAL	1		
3	CH20176	FLANGE	1		
4	CH20174	PIN	2		
5	CH14439	SEAL KIT	1		
6	CH14436	KEY	2		(NO LONGER AVAILABLE) (ORDER AM877525)
7	.....	VALVE COVER	1		(ORDER AM877525)
8	M804723	BOLT	6		
9	AM877525	HYDRAULIC PUMP	1		REAR
10	AM876753	HYDRAULIC PUMP	1		POWER STEERING
11	CH17861	RING	1		
12	ET14364	SEAL	1		
13	M803206	RING	1		
14	ET14356	BUSHING	2		
15	M800566	SCREW, WITH WASHER	6		



MP6841

HYDRAULIC PUMP PIPES (870/970 MANUAL STEERING) - CONTINUED

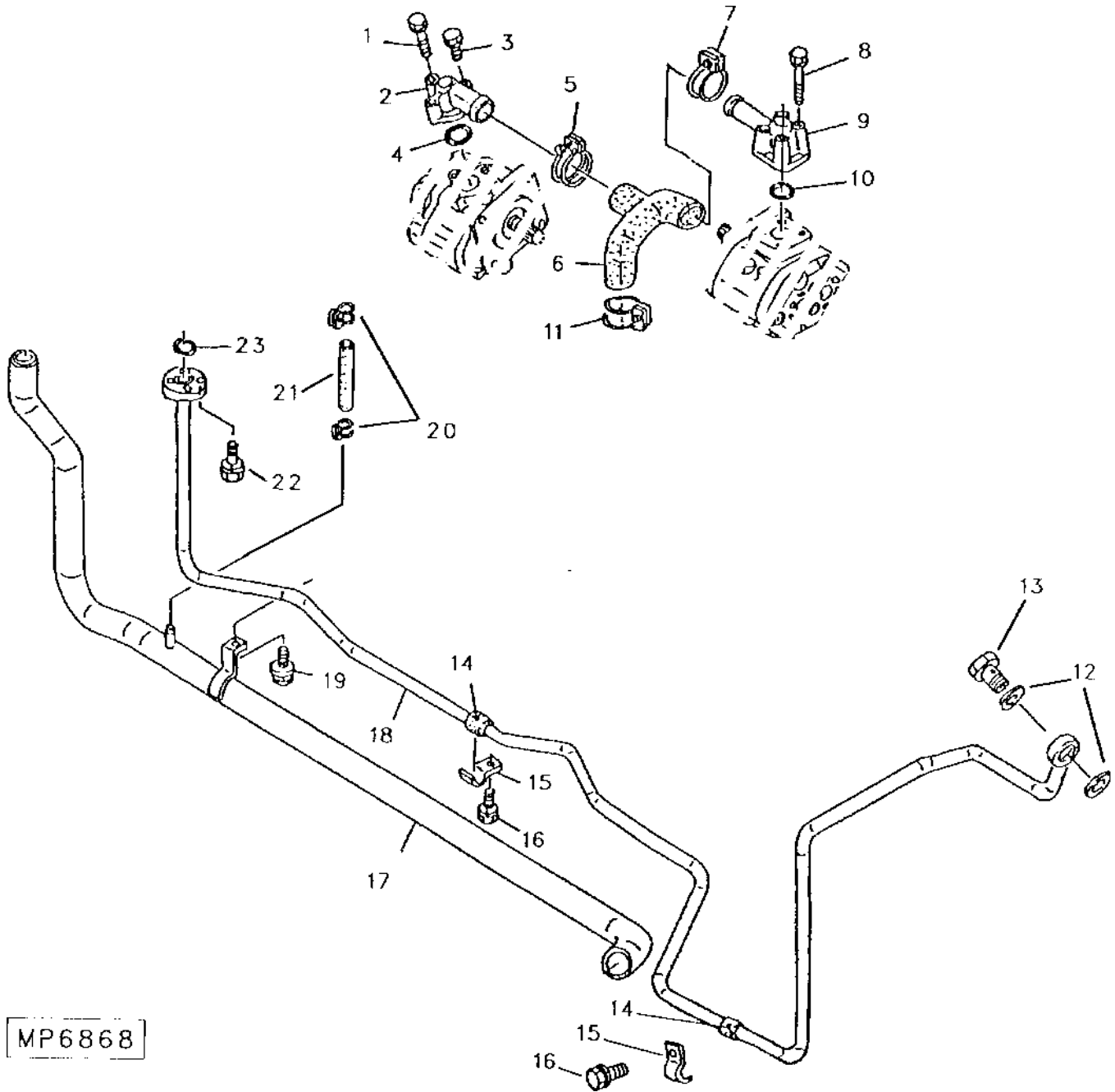
KEY	PART NO.	PART NAME	QTY	SERIAL NO.	8 9 7 7 0 0	REMARKS
1	M804845	HOSE	1			SUCTION
2	AR21840	CLAMP	3			
3	M803280	CLAMP	1			
4	19M7595	CAP SCREW	4			M6 X 50
	12M7006	LOCK WASHER	4			6.100 MM
5	M804841	FLANGE	1			
6	CH14582	PACKING	1			
7	CH17654	PACKING	1			
8	19M7286	CAP SCREW	4			M6 X 25
	12M7006	LOCK WASHER	4			6.100 MM
9	AM877558	LINE	1		X	PRESSURE
	AM877559	LINE	1		X	PRESSURE
10	CH13865	BUSHING	2			
11	M804979	CLAMP	2			
12	19M7162	CAP SCREW	2			M8 X 16
	12M7065	LOCK WASHER	2			8.100 MM
13	AM877562	BOLT	1			
14	CH11548	PACKING	2			
15	M805267	HOSE	1			SUCTION, (SUB FOR M804846)
16	19M7881	SCREW	1			M8 X 20 (HS, HEAD MARKED 10.9)
	12M7065	LOCK WASHER	1			8.100 MM
	24M7055	WASHER	1			8.400 X 16 X 1.600 MM
17	AM877560	LINE	1		X	SUCTION
	AM877561	LINE	1		X	SUCTION

# 1119

MP6868

-UN-01JAN94

## HYDRAULIC PUMP PIPES AND HOSES (POWER STEERING)



MP6868

HYDRAULIC PUMP PIPES AND HOSES (POWER STEERING) - CONTINUED

KEY	PART NO.	PART NAME	QTY	SERIAL NO.	REMARKS
				1 8 9 0 7 7 7 0 0 0	
1	19M7374	CAP SCREW	2		M6 X 40
	12M7006	LOCK WASHER	2		6.100 MM
	M800008	BOLT	2	X	(TRACTORS WITH DRAFT SENSING)
2	M802952	FLANGE	1		
3	19M7077	CAP SCREW	1		M6 X 20
	12M7006	LOCK WASHER	1		6.100 MM
	M87820	BOLT	1	X	(TRACTORS WITH DRAFT SENSING)
4	CH11562	PACKING	1		
5	AR21839	CLAMP	1		
6	M804849	HOSE	1		SUCTION
7	M803280	CLAMP	1		
8	19M7595	CAP SCREW	4		M6 X 50
	12M7006	LOCK WASHER	4		6.100 MM
9	M804841	FLANGE	1		PIPE
10	CH14582	PACKING	1		
11	AR21840	CLAMP	1		(SUB FOR M804837)
12	CH11548	PACKING	2		
13	AM877562	BOLT	1		ASSEMBLY
14	M805100	CUSHION	2		(SUB FOR CH13865, THIS APPLICATION)
15	M804979	CLAMP	2		
16	19M7162	CAP SCREW	2		M8 X 16
	12M7065	LOCK WASHER	2		8.100 MM
17	AM877564	LINE	1	X	SUCTION
	AM877563	LINE	1	X X	SUCTION
	AM877603	LINE	1	X	(OPTIONAL) (INCLUDED IN AM107218 HYDRAULIC OIL FILTER KIT)
	AM877605	LINE	1	X X	(OPTIONAL) (INCLUDED IN AM107218 HYDRAULIC OIL FILTER KIT)
18	AM877558	LINE	1	X	PRESSURE
	AM877559	LINE	1	X X	PRESSURE
19	19M7881	SCREW	1		M8 X 20 (HS, HEAD MARKED 10.9)
	12M7065	LOCK WASHER	1		8.100 MM
	24M7055	WASHER	1		8.400 X 16 X 1.600 MM
20	AR21836	CLAMP	2		
21	M804256	HOSE	1		
22	19M7286	CAP SCREW	4		M6 X 25
	12M7006	LOCK WASHER	4		6.100 MM
23	U46166	O-RING	1		

NOTE: SEE SECTION 92 FOR 1070 CREEPER VERSION

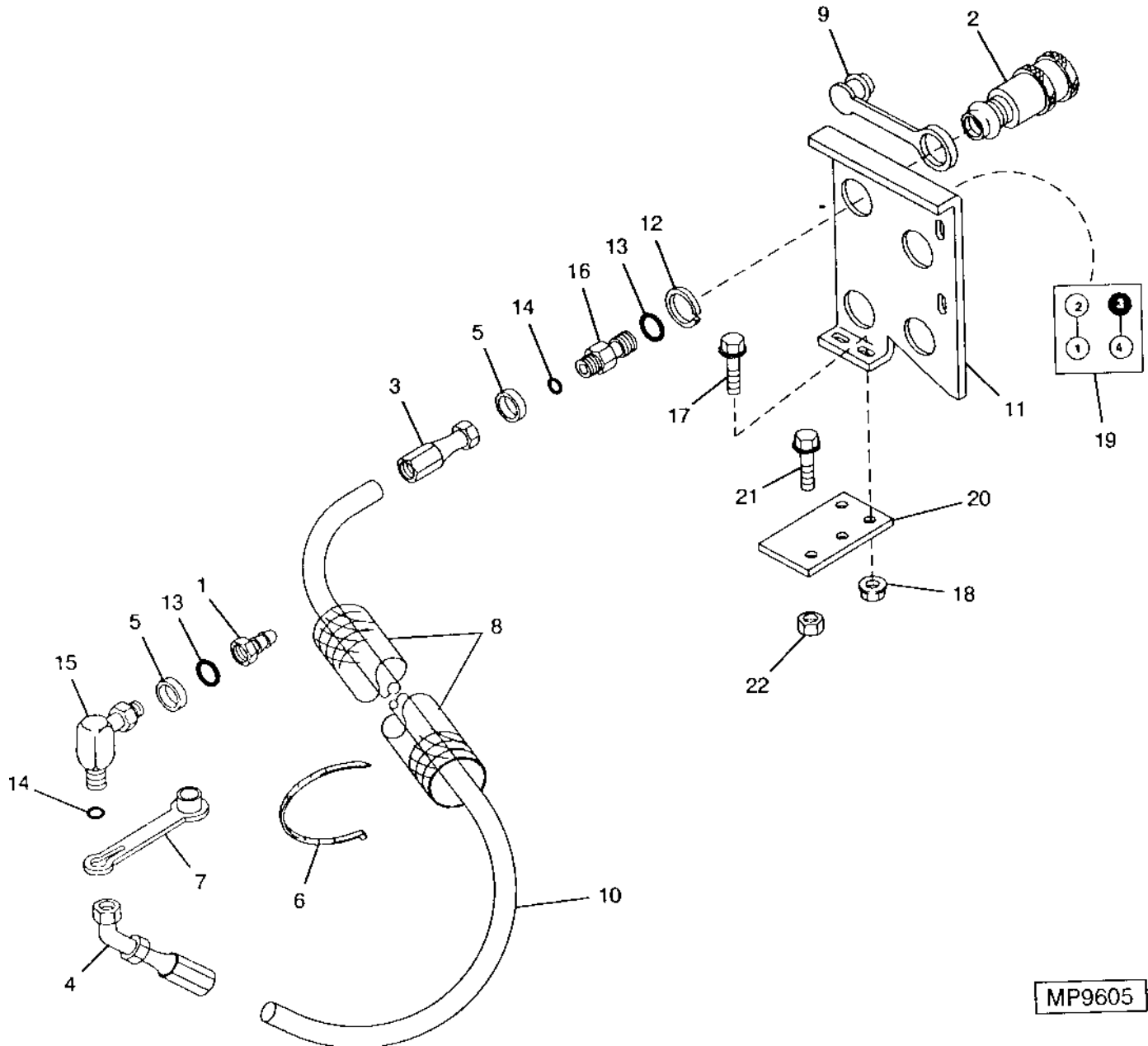
# 1121

HYDRAULICS

MP9605

-UN-02JAN94

## REAR QUICK COUPLER KIT





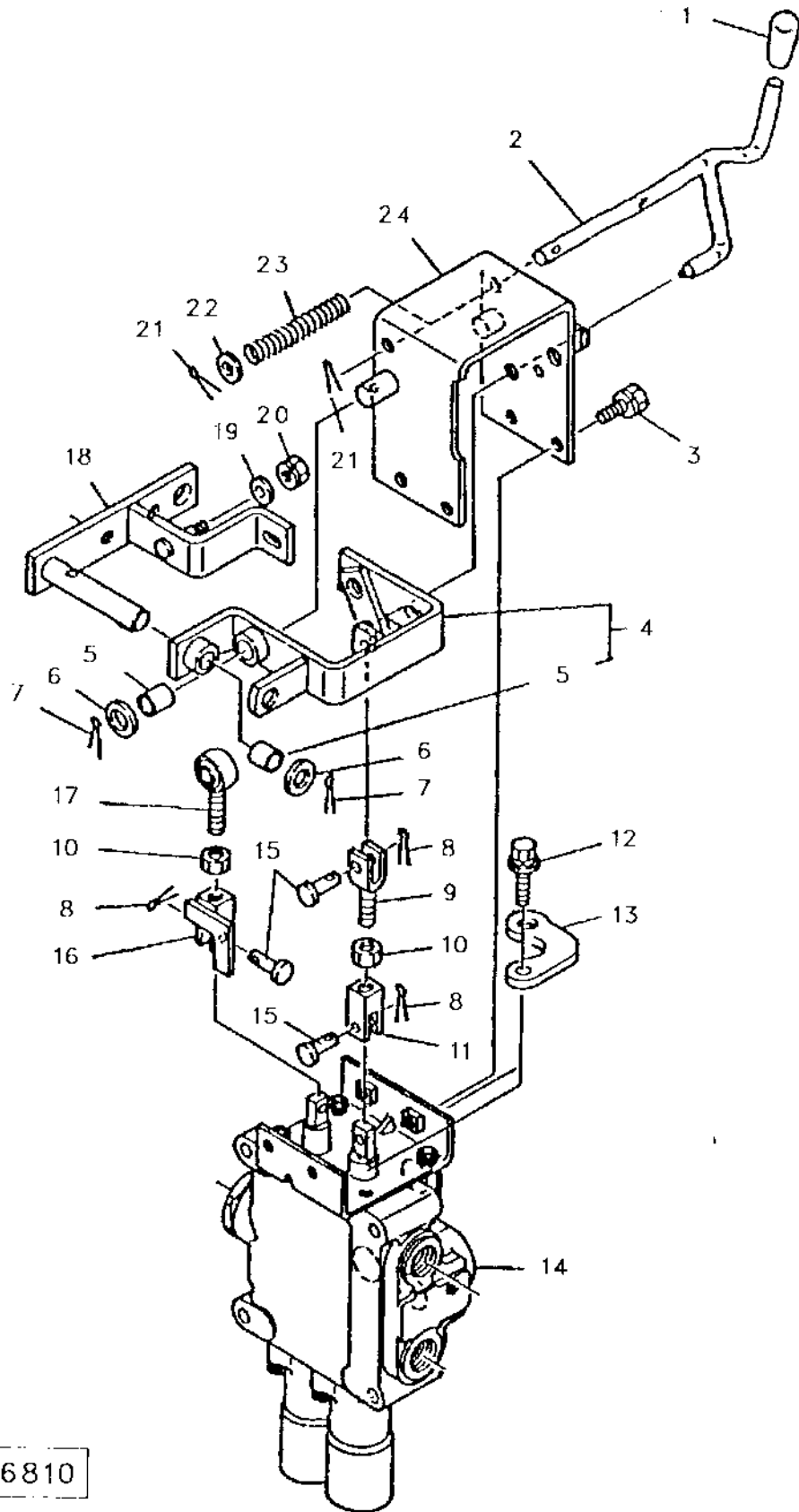
## REAR QUICK COUPLER KIT (CONTINUED)

KEY	PART NO.	PART NAME	QTY	SERIAL NO.	REMARKS
1	AM105467	INTERNAL HALF COUPLER	4		
2	AM105466	HYD. QUICK-CONNECT COUPLER	4		
3	AM100701	FITTING	4		
4	AM100700	ELBOW FITTING	4	45°	
5	AM106200	KIT	2		RING (CONTAINS 4 COLOR CODED RINGS; SILVER, YELLOW, BLACK, AND GREEN)
6	M66044	TIE BAND	12		
7	ET15510	PLUG	4		DUST
8	W39914	SLEEVE	1		
9	ET15511	CAP	4		DUST
10	M119946	HYDRAULIC HOSE	4		
11	M96710	BRACKET	1		MOUNTING
12	M42702	SNAP RING	4		
13	R26375	O-RING	8		
14	T77613	O-RING	8		
15	38H1010	ELBOW FITTING	4	90°	
16	38H1171	ADAPTER	4		
17	19M7784	SCREW	2		M10 X 20 (HS, HEAD MARKED 10.9)
18	14M7296	FLANGE NUT	2		M10
19	M803679	LABEL	1		
20	M804966	SUPPORT	1		
21	19M7788	SCREW	2		M12 X 25 (HS, HEAD MARKED 10.9)
22	M85540	LOCK NUT	2		
..	AM119469	KIT	1		REAR QUICK COUPLER (COMPLETE)

# 1123

MP6810 -UN-01JAN94

## SCV LEVER AND BRACKETS



MP6810

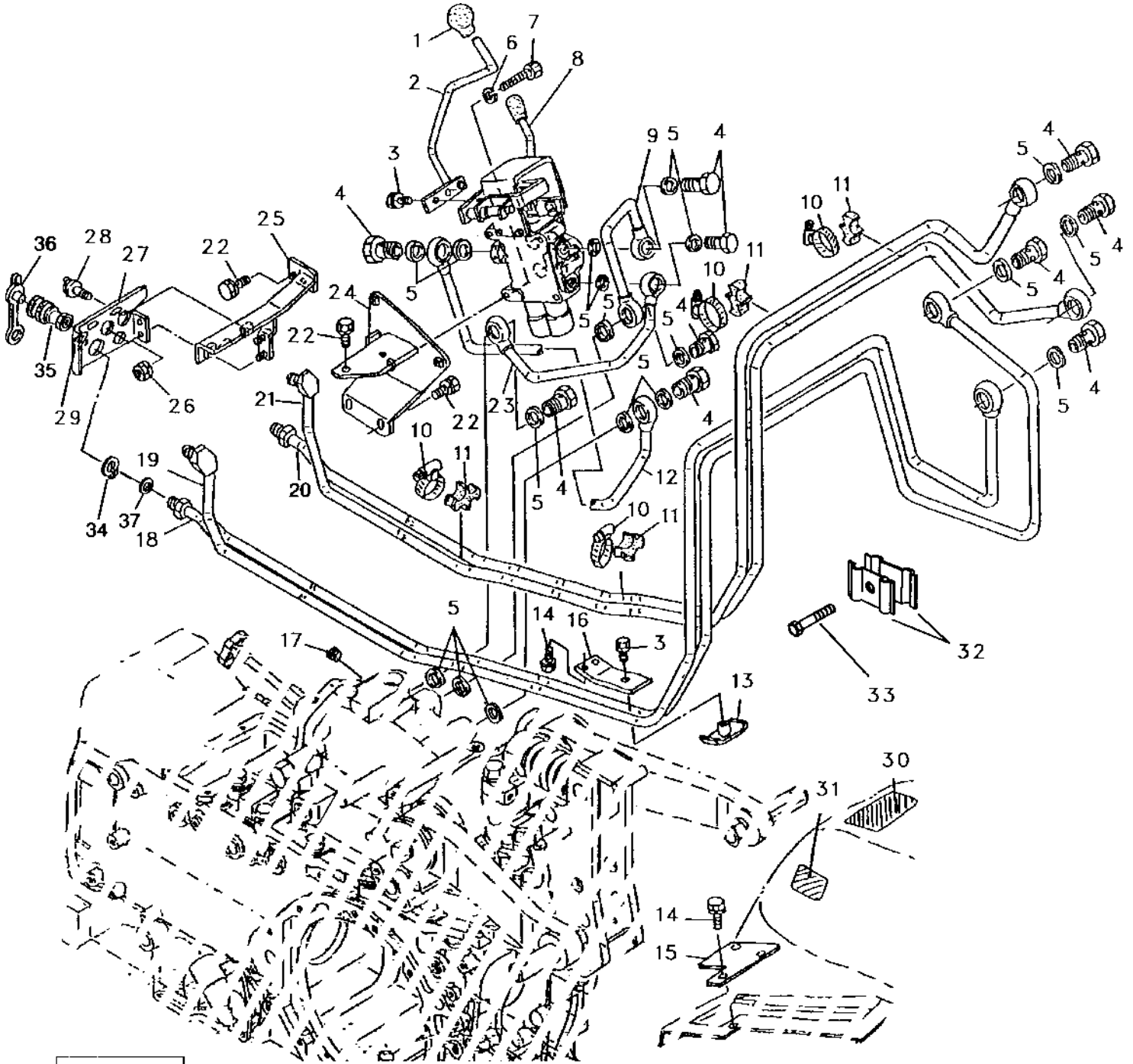
## SCV LEVER AND BRACKETS (CONTINUED)

KEY	PART NO.	PART NAME	QTY	SERIAL NO.	REMARKS
1	CH11882	KNOB	1	(K)	(SUB FOR M803640)
2	AM877609	LEVER	1	(K)	SCV LOCK
3	19M8425	CAP SCREW	4		M6 X 16 (HS, HEAD MARKED 10.9)
	12M7006	LOCK WASHER	4		6.100 MM
4	AM876891	ARM	1	(K)	SCV LINK
5	M803680	BUSHING	2		
6	CH14865	WASHER	2	(K)	
7	11M7082	COTTER PIN	2	(K)	2.500 X 25 MM
8	11M7076	COTTER PIN	3	(K)	1.600 X 12 MM
9	AM876890	CLEVIS	1	(K)	
10	14M7273	NUT	2	(K)	M8
11	M803668	CLEVIS	1	(K)	
12	19M7077	CAP SCREW	1		M6 X 20
	12M7006	LOCK WASHER	1		6.100 MM
	24M7054	WASHER	1		6.400 X 12 X 1.600 MM
13	M803644	PLATE	1		STOPPER
14	AM117842	VALVE	1	-XXXXXX	KANZAKI (SHOWN) (SUB FOR AM876873)
	AM117015	VALVE	1	XXXXXX-XXXXXX	DANFOSS/DUKES 1560-AA
	AM117842	VALVE	1	XXXXXX-	DANFOSS/DUKES 1560-AC
15	M803681	PIN	3	(K)	FLAT HEAD
16	AM876889	CLEVIS	1	(K)	
17	M803643	ROD	1	(K)	
18	AM876877	CLEVIS	1	(K)	BUCKET CONTROL
19	M804304	WASHER	1	(K)	
20	14M7272	NUT	1	(K)	M6
	12M7006	LOCK WASHER	1	(K)	6.100 MM
21	11M7081	COTTER PIN	2	(K)	2.500 X 20 MM
22	24M7095	WASHER	1	(K)	8.400 X 15 X 1.600 MM
23	M803641	SPRING	1	(K)	
24	AM876888	SUPPORT	1		SCV LINK
..	AM117498	KIT	1		CONTROL LINKAGE (INCLUDES PARTS MARKED (K))

# 1J1

MP15443 -UN-19MAR96

## SCV VALVE AND LINES



MP15443

## SCV OPTIONAL PARTS (CONTINUED)

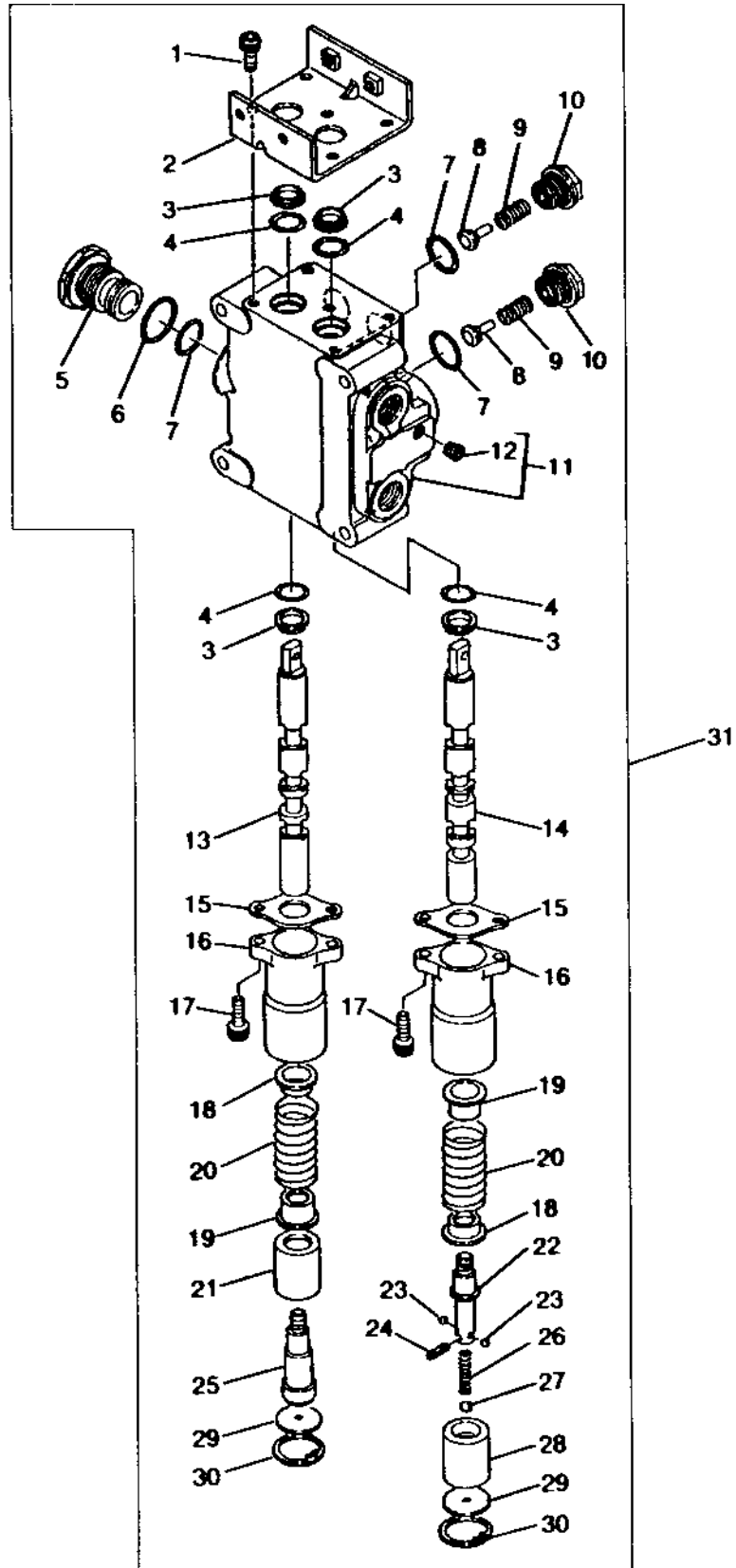
KEY	PART NO.	PART NAME	QTY	SERIAL NO.	REMARKS
1	CH11985	KNOB	1		
2	AM877617	LEVER	1		SCV CONTROL
3	19M7881	SCREW	3		M8 X 20 (HS, HEAD MARKED 10.9)
	12M7065	LOCK WASHER	3		8.100 MM
4	M800853	BOLT	10		
5	M800848	GASKET	20		
6	12M7065	LOCK WASHER	3		8.100 MM
7	19M7185	CAP SCREW	3		M8 X 60
8	AM877608	VALVE	1		(SUB AM117015, AM117498, M803644, 19M7077, 24M7054, (2) M803681, (2) 11M7076, (4) 19M7560 AND (5) 12M7066)
9	AM877614	LINE	1		PRESSURE
10	AR21839	CLAMP	5		(SUB FOR M800675)
11	M801935	CLAMP	5		
12	AM877615	LINE	1		
13	AM876687	CLAMP	1		
14	19M8425	CAP SCREW	5		M6 X 16 (HS, HEAD MARKED 10.9)
	12M7006	LOCK WASHER	5		6.100 MM
15	M804968	COVER	1		LEVER GUIDE
16	M804967	SUPPORT	1		CLAMP
17	15H275	PIPE PLUG	1		1/4"
18	AM877610	LINE	1		PRESSURE
19	AM877612	LINE	1		PRESSURE
20	AM877613	LINE	1		PRESSURE
21	AM877611	LINE	1		PRESSURE
22	19M7938	CAP SCREW	5		M10 X 20 (HS, HEAD MARKED 10.9)
	12M7066	LOCK WASHER	5		10.200 MM
23	AM877616	LINE	1		SUCTION
24	AM877618	BRACKET	1		SCV
25	AM877619	BRACKET	1		SCV COUPLER
	AM878210	BRACKET	1		(870 DRAFT SENSING VERSION; 1070 CREEPER VERSION)
26	14M7273	NUT	2		M8
	12M7065	LOCK WASHER	2		8.100 MM
27	M804966	SUPPORT	1		SCV COUPLER
28	19M7881	SCREW	2		M8 X 20 (HS, HEAD MARKED 10.9)
	12M7065	LOCK WASHER	2		8.100 MM
	24M7055	WASHER	2		8.400 X 16 X 1.600 MM
29	M803679	LABEL	1		SCV COUPLER
30	M90604	LABEL	1		SCV LEVER (SUB FOR M803677)
31	M803678	LABEL	1		SCV LOCK
32	M805108	CLAMP	1		
	AM877720	CLAMP	1		(W/WELDED NUT)
33	19M7881	SCREW	1		M8 X 20 (HS, HEAD MARKED 10.9)
	12M7065	LOCK WASHER	1		8.100 MM
	24M7055	WASHER	1		8.400 X 16 X 1.600 MM
34	M42702	SNAP RING	4		
35	AM105466	HYD. QUICK-CONNECT COUPLER	4		3/8" FEMALE
36	ET15511	CAP	4		
37	R26375	O-RING	4		
	CH13731	PACKING	4		(870 DRAFT SENSING VERSION; 1070 CREEPER VERSION)

# 1J3

MP9578

-UN-02JAN94

## SCV ASSEMBLY (KANZAKI)



MP9578

## SCV ASSEMBLY (KANZAKI) (CONTINUED)

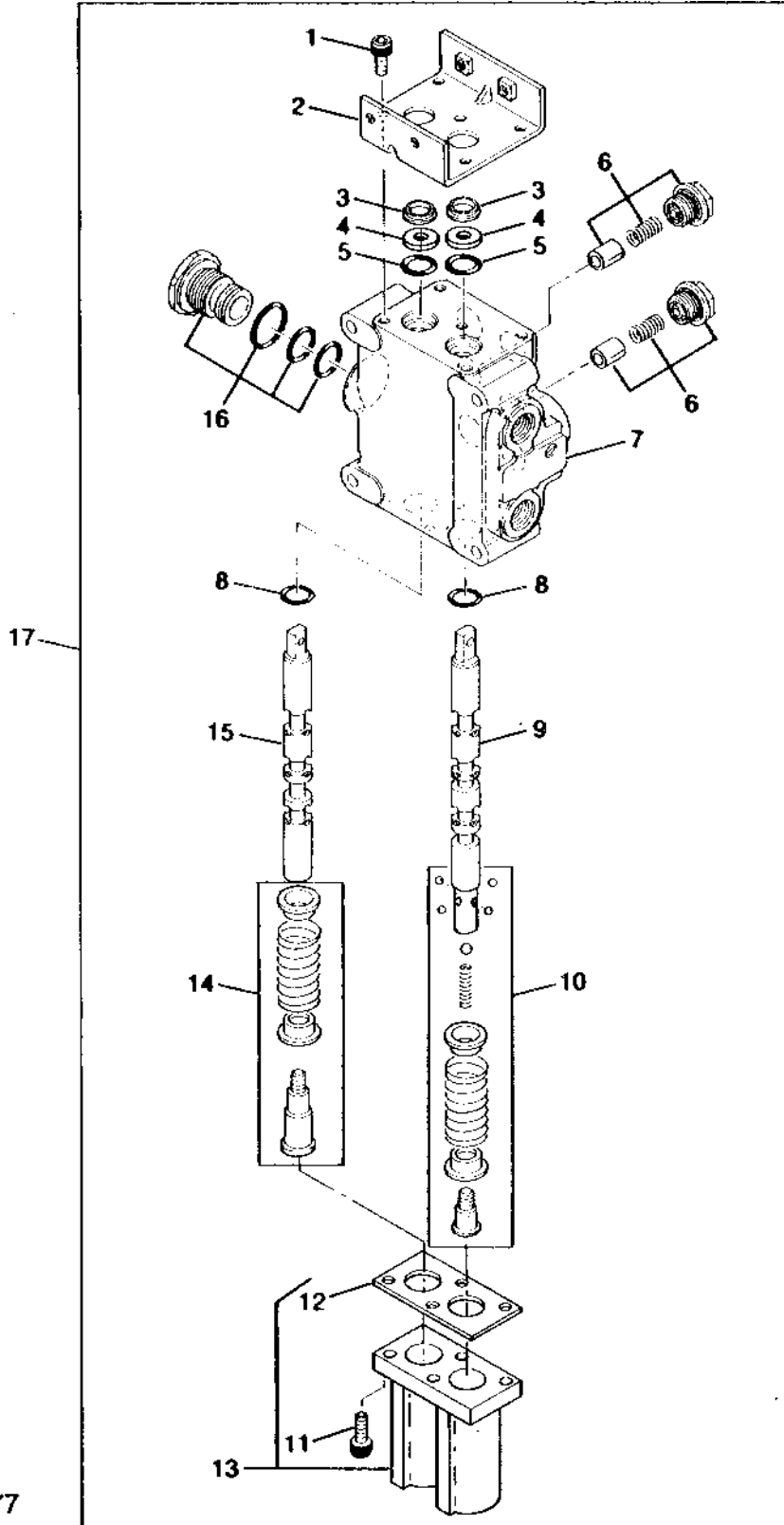
KEY	PART NO.	PART NAME	QTY	SERIAL NO.	REMARKS
1	M801517	BOLT	5		
2	AM876924	BRACKET	1		
3	AM876922	SEAL	4		
4	CH10570	PACKING	4		
5	AM876927	PLUG	1		
6	CH11564	PACKING	1		
7	U46489	O-RING	3		
8	M800699	POPPET	2		CHECK
9	AM876926	SPRING	2		
10	AM876925	PLUG	2		
11	.....	VALVE	1		(ORDER AM117842)
12	AM876921	PLUG	1		
13	.....	VALVE SPOOL	1		(ORDER AM117842)
14	.....	VALVE SPOOL	1		(ORDER AM876873)
15	AM876923	COVER	2		
16	M803634	COVER	2		
17	19M8627	SCREW	4		M6 X 20 (HS, HEAD MARKED 12.9) (SUB FOR M89176)
18	AM876930	RETAINER	1		
19	AM876931	RETAINER	2		
20	AM876929	SPRING	2		
21	M803638	RETAINER	1		
22	AM876932	RETAINER	1		BALL
23	M800710	BALL	2		
24	M800711	SPRING PIN	1		
25	M803639	GUIDE	1		
26	M800709	COMPRESSION SPRING	1		
27	R63075	BALL	1		
28	M803635	RETAINER	1		
29	M803636	COVER	2		
30	M803642	RING	2		
31	AM876873	VALVE	1		(NO LONGER AVAILABLE) (SUB AM117842)

# 1J5

MP9577

-UN-01JAN94

## SELECTIVE CONTROL VALVE (DANFOSS/DUKES 1560-AA, 1560-AC)



MP9577



# 1J6

HYDRAULICS

**SELECTIVE CONTROL VALVE (CONTINUED)**  
**(DANFOSS/DUKES 1560-AA, 1560-AC)**

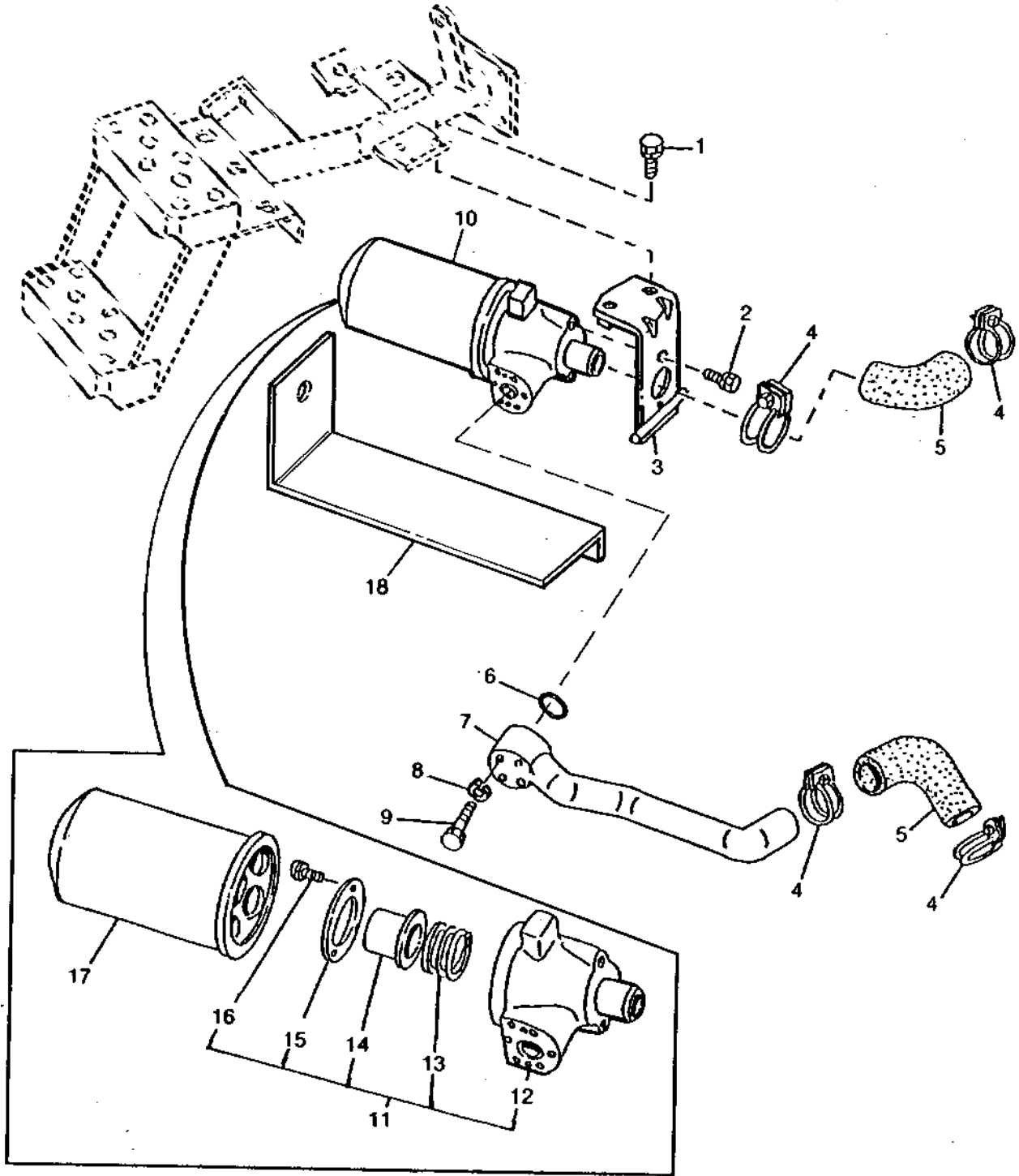
KEY	PART NO.	PART NAME	QTY	SERIAL NO.	REMARKS
1	M801517	BOLT	5		
2	AM117917	BRACKET	1		(SUB FOR AM876924)
3	.....	SEAL	2		(B) (ORDER AM117916)
4	.....	SPACER	2		(A) (ORDER AM117369)
	.....	WASHER	2		(B) (ORDER AM117916)
5	.....	SEAL	2		(A) (ORDER AM117369)
	R51603	O-RING	2		(B)
6	AM100201	KIT	2		LOAD CHECK (INCLUDES R26448 O-RING)
7	.....	HOUSING	1		(A) (ORDER AM117015)
	.....	HOUSING	1		(B) (ORDER AM117842)
8	R51603	O-RING	2		
9	.....	SPOOL	1		(A) (ORDER AM117015)
	.....	SPOOL	1		(B) (ORDER AM117842)
10	AM117317	SPRING	1		SPRING CENTER FLOAT
11	M114910	SCREW	4		
12	.....	GASKET	1		(A) (ORDER AM117369)
	.....	GASKET	1		(B) (ORDER AM117916)
13	AM117327	KIT	1		END CAP
14	AM117325	SPRING	1		SPRING CENTER REGEN.
15	.....	SPOOL	1		(A) REGEN. (ORDER AM117015)
	.....	SPOOL	1		(B) REGEN. (ORDER AM117842)
16	AM117366	PLUG	1		
17	AM117015	VALVE	1	-XXXXXX	(MARKED 1560-AA) (INCLUDES PARTS MARKED (A))
	AM117842	VALVE	1	XXXXXX-	(MARKED 1560-AC) (INCLUDES PARTS MARKED (B))
..	AM117369	SEAL	1	-XXXXXX	(VALVE MARKED 1560-AA)
..	AM117916	SEAL KIT	1	XXXXXX-	(VALVE MARKED 1560-AC)

# 1J7

MP12025

-UN-01JAN94

## BLOCK FILTER ASSEMBLY



MP12025

# 1J8

HYDRAULICS

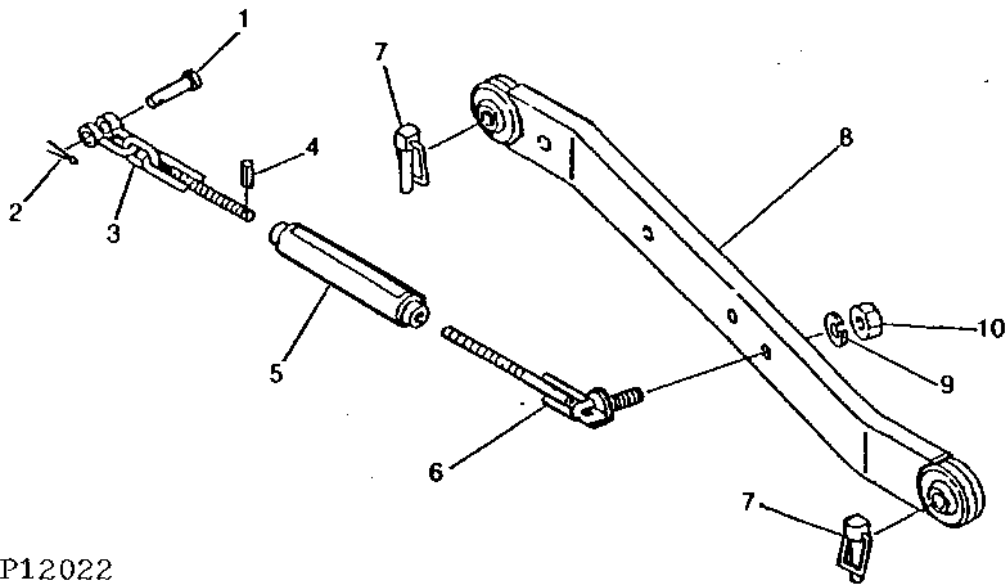
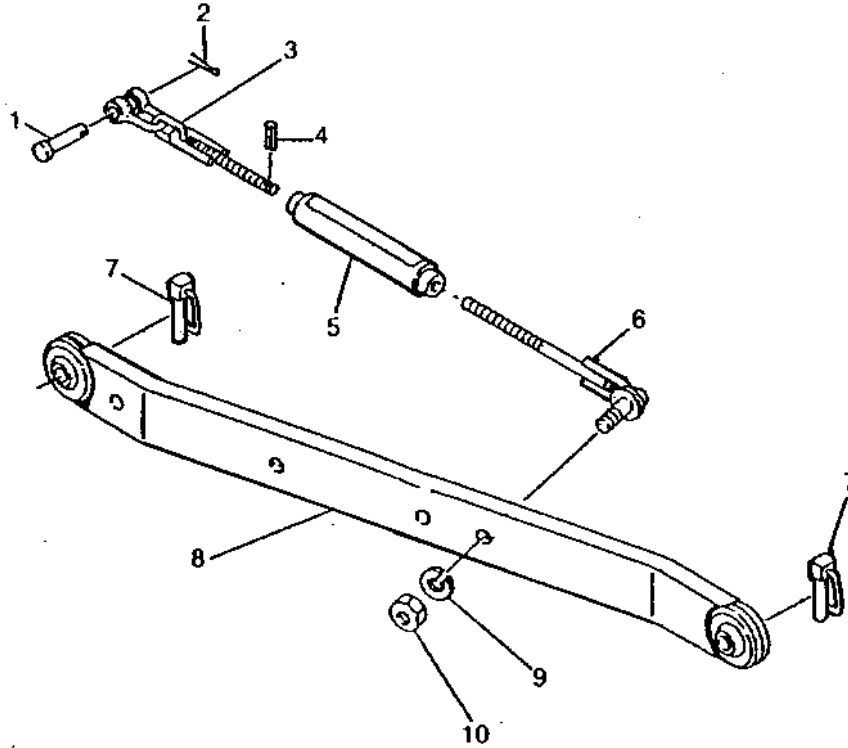
**BLOCK FILTER ASSEMBLY (CONTINUED)**

KEY	PART NO.	PART NAME	QTY	SERIAL NO.	REMARKS
1	19M7881	SCREW	2		M8 X 20 (HS, HEAD MARKED 10.9)
	12M7065	LOCK WASHER	2		8.100 MM
2	19M7162	CAP SCREW	1		M8 X 16
	12M7065	LOCK WASHER	1		8.100 MM
3	AM877566	BRACKET	1		FILTER
4	AR21840	CLAMP	4		
5	M805267	HOSE	2		SUCTION
6	U46166	O-RING	1		
7	AM877565	OIL LINE	1		FILTER
8	12M7006	LOCK WASHER	4		6.100 MM
9	19M7881	SCREW	4		M8 X 20 (HS, HEAD MARKED 10.9)
10	.....	FILTER	1		(ORDER COMPONENTS)
11	CH19224	FILTER	1		ASSEMBLY
12	.....	FILTER	1		(ORDER CH19224)
13	CH16989	SPRING	1		VALVE
14	CH15339	SLEEVE	1		
15	CH15338	SEAT	1		VALVE
16	CH19179	BOLT	3		
17	RE27284	FILTER ELEMENT	1		
18	M805025	SHIELD	1		
	19M7139	CAP SCREW	3		M8 X 20, (NOT PICTURED)
	12M7065	LOCK WASHER	3		8.100 MM, (NOT PICTURED)
	24M7055	WASHER	3		8.400 X 16 X 1.600 MM, (NOT PICTURED)

# 1J9

MP12022 -UN-01JAN94

## DRAFT LINKS AND SUPPORTS



MP12022

# 1J10

HYDRAULICS

## DRAFT LINKS AND SUPPORTS (CONTINUED)

KEY	PART NO.	PART NAME	QTY	SERIAL NO.	REMARKS
1	M805925	PIN	2	(A)	(SUB FOR CH10859)
2	11M7023	COTTER PIN	2	(A)	4 X 32 MM
3	AM878262	SWAY CHAIN	2	(A)	(SUB FOR AM877578)
4	CH11528	PIN	2	(A)	
5	CH13439	TURNBUCKLE	2	(A)	CHAIN
6	AM877579	SWAY CHAIN	2	(A)	
7	AM876850	PIN	4		
8	AM877576	LINK	2		
9	12M7069	LOCK WASHER	2	(A)	16.200 MM
10	CH12395	NUT	2	(A)	
..	AM878261	CHAIN KIT	1		(INCLUDES PARTS MARKED (A))

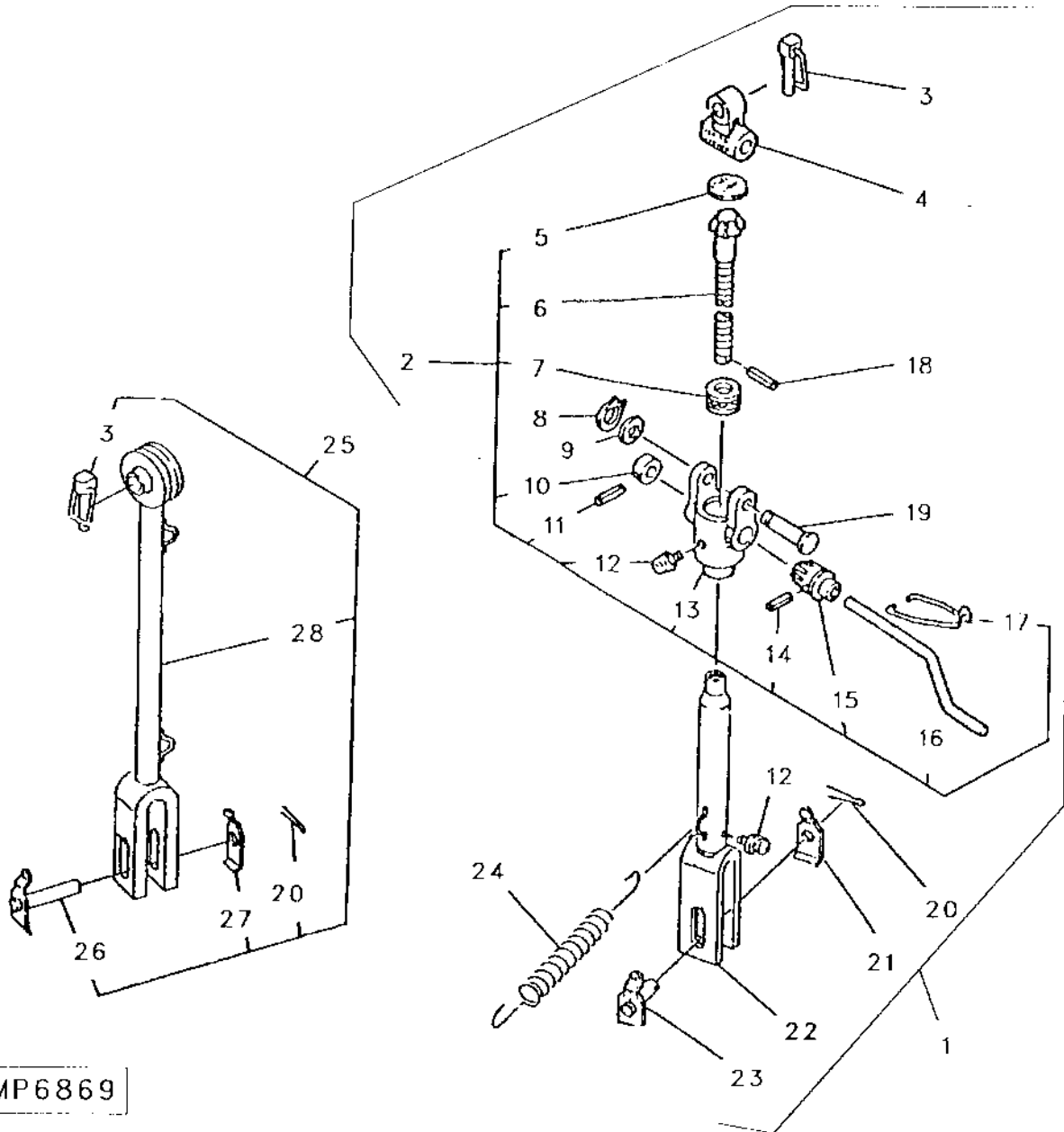
# 1J11

HYDRAULICS

MP6869

-UN-01JAN94

LIFT LINKS



MP6869

# 1J12

HYDRAULICS

## LIFT LINKS (CONTINUED)

KEY	PART NO.	PART NAME	QTY	SERIAL NO.	REMARKS
				1	
				8 9 0	
				7 7 7	
				0 0 0	
1	AM877572	LIFT LINK	1		RH KIT
2	CH14475	HOUSING	1		ADJUST (COMPLETE)
3	AM876850	PIN	2		
4	CH11372	ARM	1		
5	CH10641	SEAL	1		
6	CH11368	GEAR	1		
7	CH10807	BALL BEARING	1		
8	CH14443	RING	1		
9	24M7053	WASHER	1		17 X 30 X 3 MM
10	CH15639	WASHER	1		
11	CH11501	PIN	1		
12	CH15805	FITTING	2		
13	CH14441	HOUSING	1		
14	CH11500	PIN	1		
15	CH11365	PINION	1		
16	CH11366	CRANK	1		
17	CH11371	HANDLE	1		
18	CH11496	PIN	1		
19	CH14442	PIN	1		
20	11M7023	COTTER PIN	2		4 X 32 MM
21	M803591	PLATE	1		
22	AM877574	YOKE	1		LIFT LINK
23	AM877570	PIN	1		LIFT YOKE
24	CH11378	SPRING	1		
25	AM877571	LIFT LINK	1	X	LH KIT
	AM877575	LIFT LINK	1	X X	LH KIT
26	AM877570	PIN	1		LIFT YOKE
27	M803591	PLATE	1		
28	AM877573	LIFT LINK	1	X	
	AM877577	LIFT LINK	1	X X	

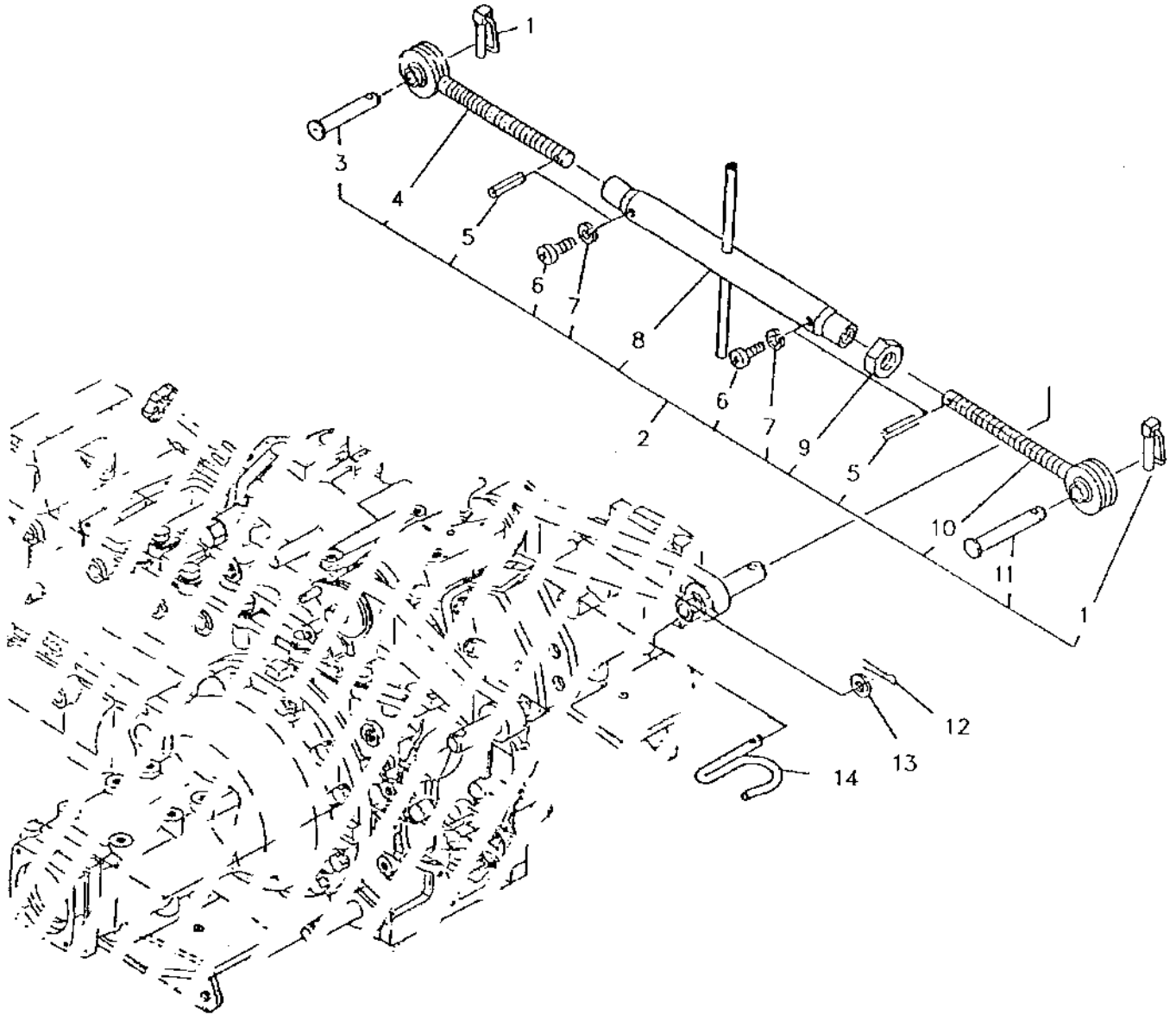
# 1J13

HYDRAULICS

MP6871

-UN-01JAN94

## CENTER LINK



MP6871



# 1J14

HYDRAULICS

## CENTER LINK (CONTINUED)

KEY	PART NO.	PART NAME	QTY	SERIAL NO.	REMARKS
1	AM876850	PIN	2		
2	AM877776	KIT	1		CENTER LINK, (SUB FOR AM877569)
3	M805208	PIN	1		(SUB FOR CH11409)
4	AM877779	LINK	1		LH TOP LINK (COMPLETE) (SUB FOR CH19494)
5	34M7127	SPRING PIN	2		4 X 24 MM, (SUB FOR CH12014)
6	M802018	SCREW	2		
7	12M7006	LOCK WASHER	2		6.100 MM
8	AM877777	TURNBUCKLE	1		TOP LINK, (SUB FOR CH19218)
9	14M7240	NUT	1		M24
10	AM877778	LINK	1		RH, (SUB FOR CH15282)
11	CH18201	PIN	1		
12	CH12320	PIN	1		
13	24M7055	WASHER	1		8.400 X 16 X 1.600 MM
14	CH19220	SPRING	1		

---

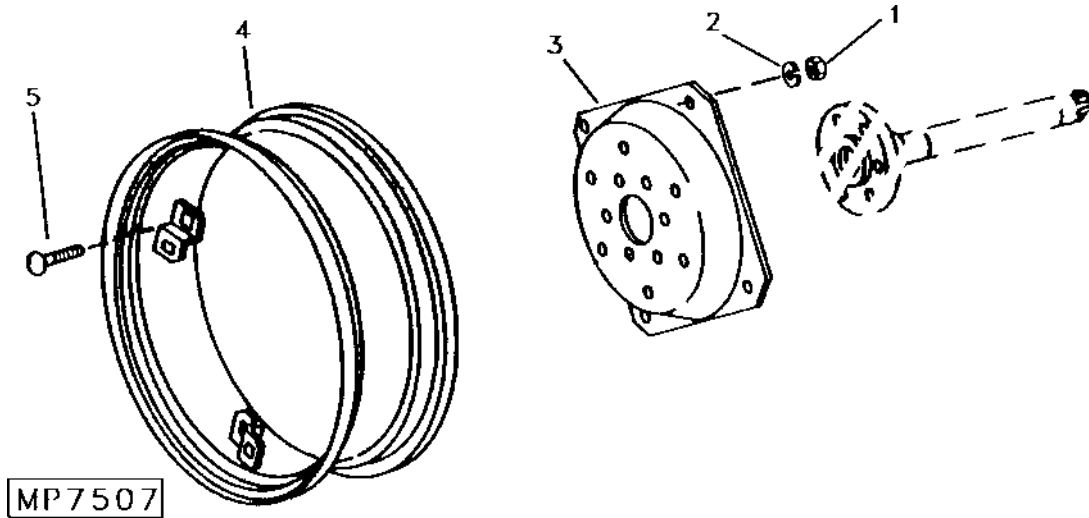
MEMORANDA

# 1J17

WHEELS, FRONT AXLE, AND SHEET METAL

## REAR WHEEL AND DISC ASSEMBLY

MP7507 -UN-21MAY96



KEY	PART NO.	PART NAME	QTY	SERIAL NO.	REMARKS
				1	
				8 9 0	
				7 7 7	
				0 0 0	
1	14M7276	NUT	4		M16
	14M7276	NUT	6	X X	M16
2	12M7069	LOCK WASHER	4		16.200 MM
	12M7069	LOCK WASHER	6	X X	16.200 MM
3	AM877620	DISK	2	X X	(SUB FOR CH19167) (INCLUDES M93008 LABEL) (USE W/M801801 WHEEL)
	T19065	WHEEL CENTER DISK	2		X
	AM877628	DISK	2	X	(SUB FOR CH19164) (INCLUDES M93008 LABEL) (USE WITH CH12679; TIRE)
4	M801801	WHEEL	2	X	W10 X 24, (USE W/AM877620 WHEEL)
	M804692	RIM	2	X X	W11 X 24
	T21743	RIM	2	X	W12 X 28, (FOR TUBELESS TIRES) (ALSO ORDER AT25226)
	CH10975	RIM	2	X X	9 X 24 (2WD)
	CH11078	RIM	2	X	11 X 28
5	CH10974	SCREW	4	X X	(SUB AM878854)
	19M7720	CAP SCREW	6	X X	M16 X 80 (HS, HEAD MARKED 10.9)
..	<b>BM16843</b>	<b>WHEEL AND TIRE ASSEMBLY</b>	1	X X	<b>13.6 X 24, 4 PLY</b>
..	<b>AR91732</b>	<b>WHEEL AND TIRE ASSEMBLY</b>	1	X	<b>13.6 X 28</b>

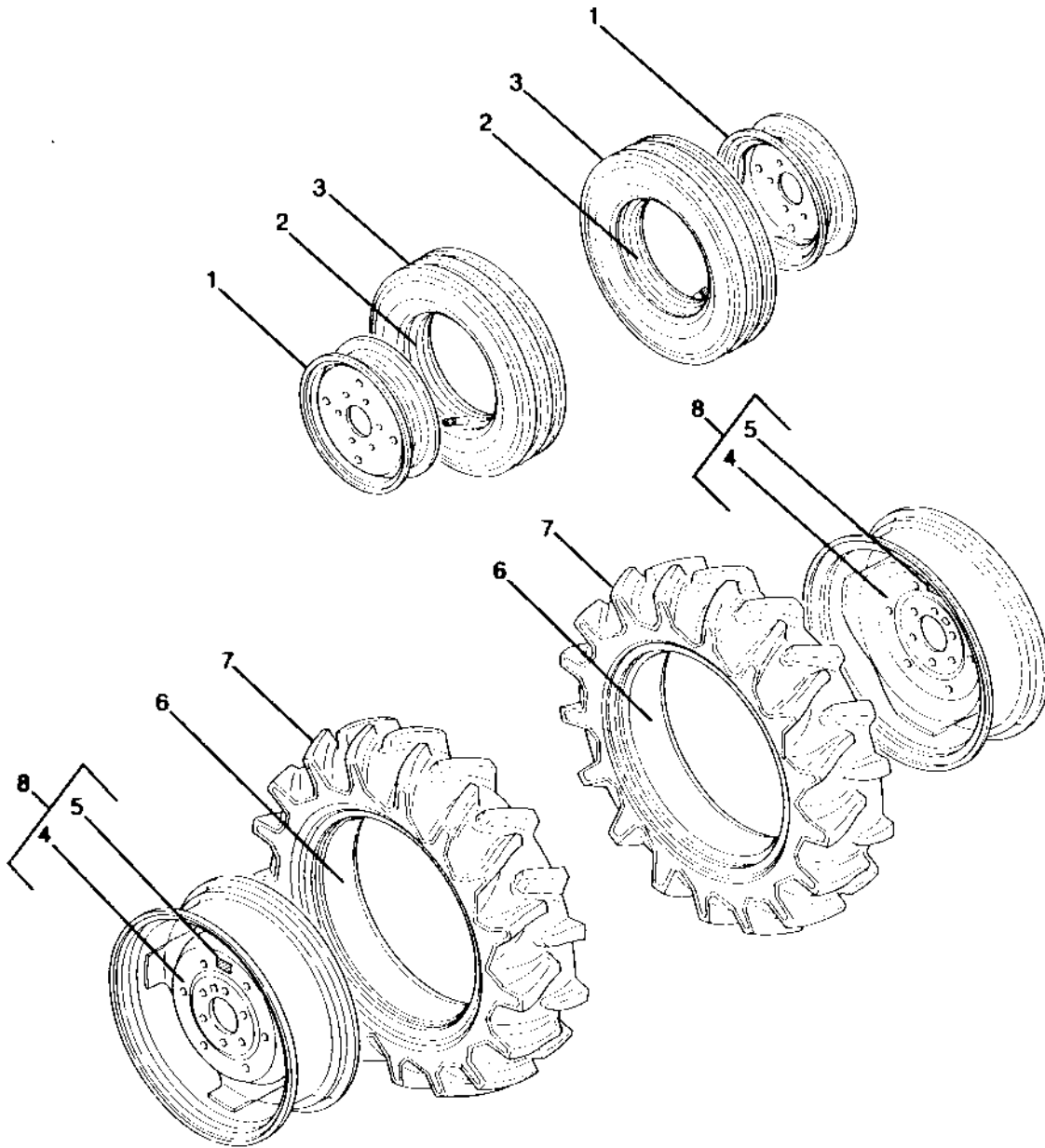
# 1J18

WHEELS, FRONT AXLE, AND SHEET METAL

MP7508

-UN-02JAN94

## FRONT AND REAR RIB AND BAR TIRES



MP7508

# 1J19

WHEELS, FRONT AXLE, AND SHEET METAL

## FRONT AND REAR RIB AND BAR TIRES (CONTINUED)

KEY	PART NO.	PART NAME	QTY	SERIAL NO.	1		REMARKS
					8 9 0	7 7 7	
1	CH11917	RIM	2		X X		3.00 - 15 (2WD)
	CH11166	RIM	2		X X	X	4.00 - 16 (2WD)
2	CH12181	TUBE	2		X		5.00 - 15
	CH11165	TUBE	2		X		5.50 - 16 (2WD)
	CH13895	INNERTUBE	2			X	6.00 - 16 (2WD)
	M804145	TUBE	2			X	6.50 - 16 (2WD)
3	CH12180	TIRE	2		X		5.00 - 15
	CH11164	TIRE	2		X		5.50 - 16 (2WD)
	CH13894	TIRE	2		X		6.00 - 16(2WD)
	M804144	TIRE	2			X	6.50 - 16(2 WD)
4	.....	DISK	2				(ORDER AM877620) (SUB FOR CH19167)
5	M93008	LABEL	2				WHEEL
6	CH11080	TUBE	2		X X		(2WD)
	M801825	INNERTUBE	2		X X		
	CH12680	TUBE	2		X		(2WD)
	CH12181	TUBE	2		X		(2WD)
	M804694	INNERTUBE	2			X	13.6 -24 (2WD)
7	CH12190	TIRE	2		X X		11.2 - 24 (2WD)
	M801800	TIRE	2		X X		12.4 - 24 (4WD)
	CH12679	TIRE	2		X		12.4 - 28 (2WD)
	M804693	TIRE	2			X	13.6 - 24 (2WD)
	R54372	TIRE	2			X	13.6 - 28 (2WD)
8	AM877620	DISK	2				10 - 24 (4WD) (ALSO ORDER 14M7276 AND 12M7069) USE W/ M801801 WHEEL (INCLUDES DECAL)
..	CH11745	WHEEL AND TIRE ASSEMBLY	2		X		5.00-15, (EXPORT) 2WD (FRONT)
..	CH19768	WHEEL AND TIRE ASSEMBLY	2		X		11.2-24, (EXPORT) 2WD (REAR)
..	<b>BM16852</b>	<b>WHEEL AND TIRE ASSEMBLY</b>	<b>2</b>		<b>X</b>		<b>12.4 - 24, (EXPORT) 2WD (REAR)</b>
..	<b>BM16869</b>	<b>WHEEL AND TIRE ASSEMBLY</b>	<b>2</b>		<b>X</b>		<b>25 - 8.50-14, (EXPORT) 2WD (FRONT)</b>
..	<b>BM16853</b>	<b>WHEEL AND TIRE ASSEMBLY</b>	<b>2</b>		<b>X</b>		<b>355/80D-20, (EXPORT) 2WD (REAR)</b>
..	<b>BM16845</b>	<b>WHEEL AND TIRE ASSEMBLY</b>	<b>1</b>			<b>X</b>	

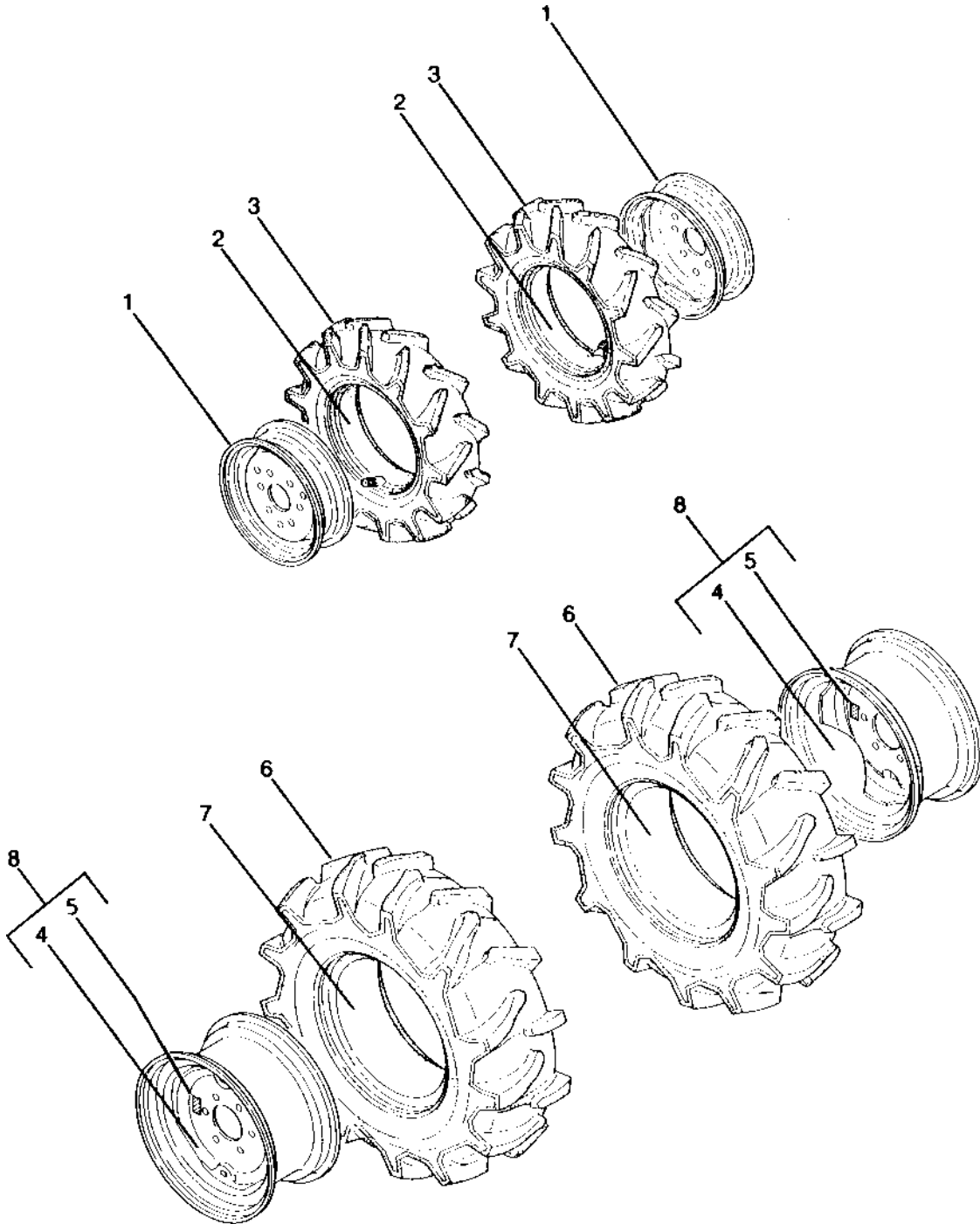
# 1J20

WHEELS, FRONT AXLE, AND SHEET METAL

MP7509

-UN-02JAN94

## FRONT AND REAR BAR TIRES



MP7509

# 1J21

WHEELS, FRONT AXLE, AND SHEET METAL

## FRONT AND REAR BAR TIRES (CONTINUED)

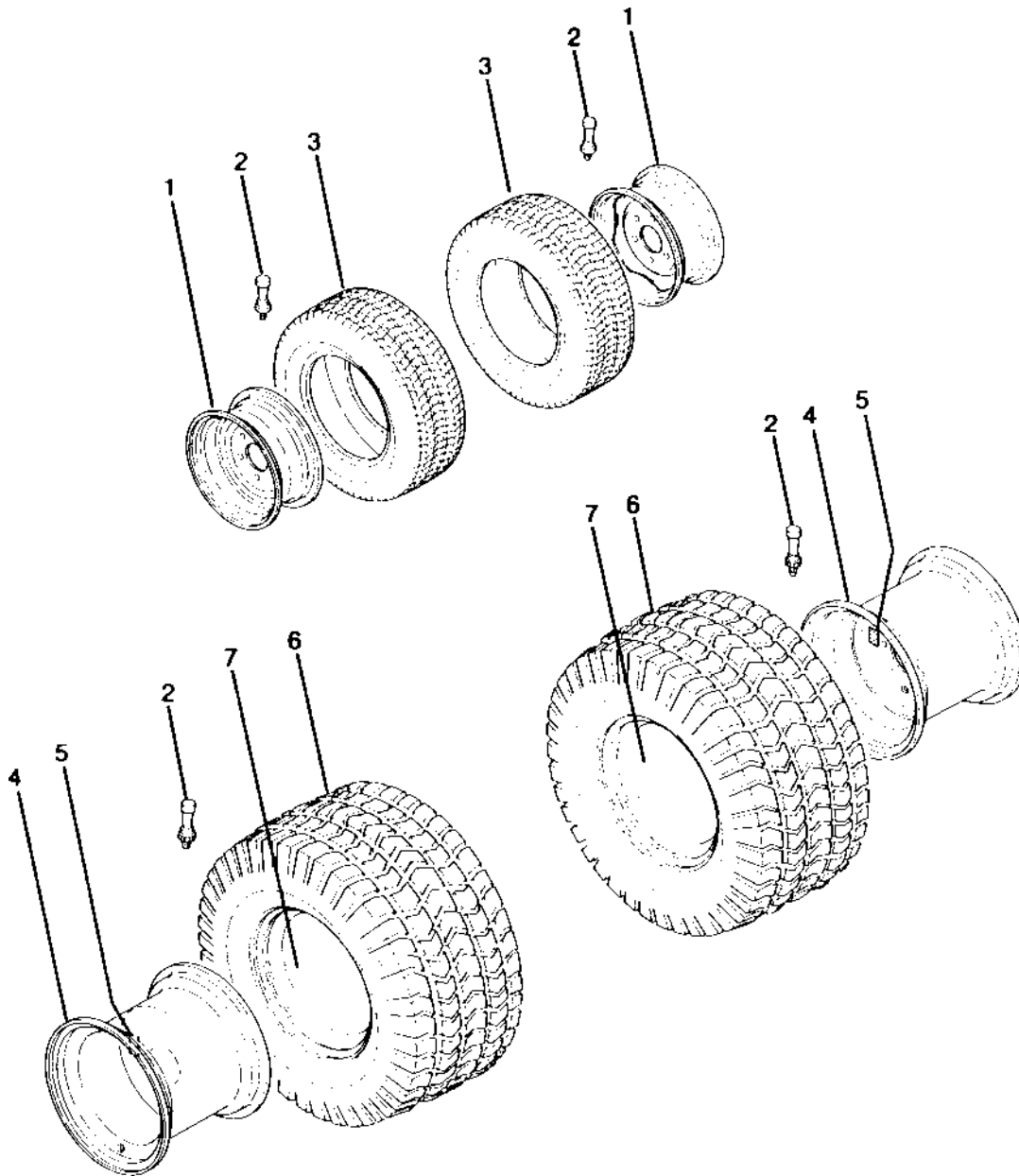
KEY	PART NO.	PART NAME	QTY	SERIAL NO.	REMARKS
				1 8 9 0 7 7 7 0 0 0	
1	CH14724	WHEEL	2	X	5JA - 14 WDC (FRONT)
	AM877154	WHEEL	2	X	(FRONT)
	AM877153	WHEEL	2	X	5JA - 16 (FRONT)
2	CH20029	INNERTUBE	2	X	
	CH13470	INNERTUBE	2	X	
	M804216	INNERTUBE	2	X	
3	M804217	TIRE	2	X	7 X 14
	M804218	TIRE	2	X	7 X 16 4PR R1, (SUB FOR CH13469)
	M804215	TIRE	2	X	8 X 16
	R69293	TIRE	2	X	13.6 X 28 TUBELESS
	M804218	TIRE	2	X	7 X 16, (ALL TRACTION TIRE)
4	.....	DISK	2		(ORDER AM877620) (SUB FOR CH19167)
	M804692	RIM	2	X X	
5	M93008	LABEL	2		WHEEL
6	M801800	TIRE	2	X	REAR
	M804693	TIRE	2	X	REAR
	R54372	TIRE	2	X	13.6 X 28 TUBELESS (REAR)
7	M801825	INNERTUBE	2	X	
	M804694	INNERTUBE	2	X X	
8	AM877620	DISK	2	X X	USE W/ M801801 WHEEL
..	<b>BM16870</b>	<b>WHEEL AND TIRE ASSEMBLY</b>	<b>1</b>	<b>X</b>	<b>FRONT (7 X 14)</b>
..	<b>BM16843</b>	<b>WHEEL AND TIRE ASSEMBLY</b>	<b>1</b>	<b>X X</b>	<b>REAR (13.6 X 24)</b>
..	<b>BM17006</b>	<b>WHEEL AND TIRE ASSEMBLY</b>	<b>1</b>	<b>X</b>	<b>FRONT (7 X 16)</b>
..	<b>BM16846</b>	<b>WHEEL AND TIRE ASSEMBLY</b>	<b>1</b>	<b>X</b>	<b>FRONT (8 X 16)</b>

# 1J22

WHEELS, FRONT AXLE, AND SHEET METAL

MP7510 -UN-02JAN94

TURF TIRES (2WD & 4WD)



MP7510



# 1J23

## WHEELS, FRONT AXLE, AND SHEET METAL

### TURF TIRE (2WD & 4WD) (CONTINUED)

KEY	PART NO.	PART NAME	QTY	SERIAL NO.	1			REMARKS
					8	9	0	
					7	7	7	
					0	0	0	
1	M802865	WHEEL	2		X			FRONT (7JA - 14) (STEM HOLE .453")
	AM108799	WHEEL	2		X	X		W/DECAL (.618" TO .633" VALVE STEM HOLE) (SUB FOR AM106967)
2	AM30346	TIRE VALVE STEM	2		X			W/CAP (.590" STEM)
	AM30795	TIRE VALVE STEM	2		X			44 X 18.00 (.625" STEM)
	AT25226	STEM	1		X	X		
3	CH14714	TIRE	2		X			25/8.50-14
	R77977	TIRE	2		X	X		TUBELESS 27/8.50-15
4	AM877507	WHEEL	2		X			W 11 - 20
	AM106962	WHEEL	2		X	X		W/DECAL (ORDER AT25226)
	JD3038	WHEEL	2		X			W/STEEL DISC (ALSO ORDER AT25226)
5	M93008	LABEL	2					WHEEL
6	M801798	TIRE	2		X			355 X 80D
	R81416	TIRE	2		X	X		TUBELESS 44 X 18.00
	L29304	TIRE	2		X			21.5 X 16
7	M801826	INNERTUBE	2		X			
..	<b>BM16853</b>	<b>WHEEL</b>	<b>1</b>		<b>X</b>			<b>REAR 355/ 80D-20</b>
..	<b>BM16869</b>	<b>WHEEL</b>	<b>1</b>		<b>X</b>			<b>FRONT 25 X 8.50 - 14</b>
..	<b>BM16842</b>	<b>WHEEL</b>	<b>1</b>		<b>X</b>			<b>FRONT 27 X 8.50 - 15</b>
..	<b>BM16844</b>	<b>WHEEL</b>	<b>1</b>		<b>X</b>			<b>REAR 44 X 18.00 - 20</b>

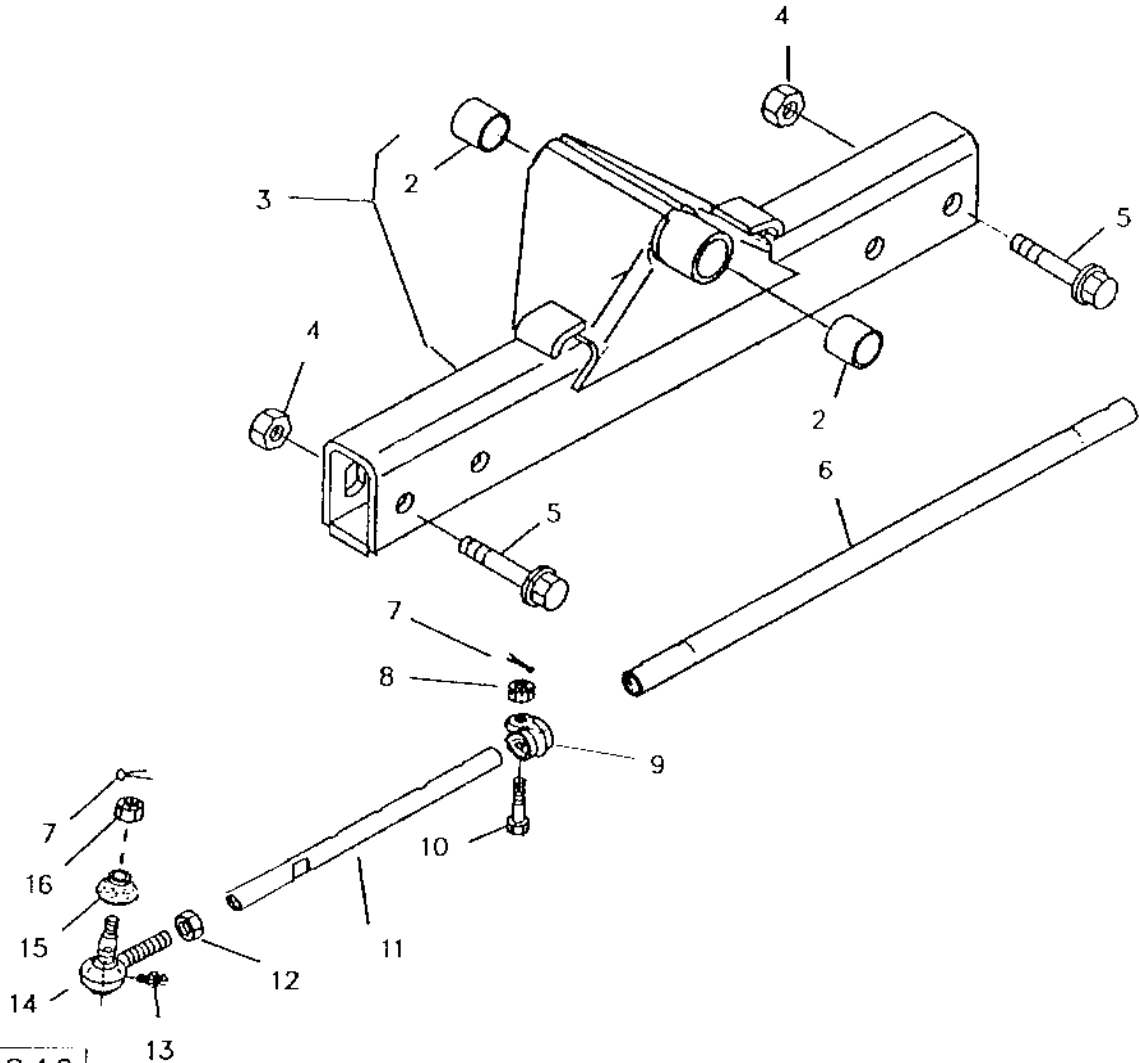
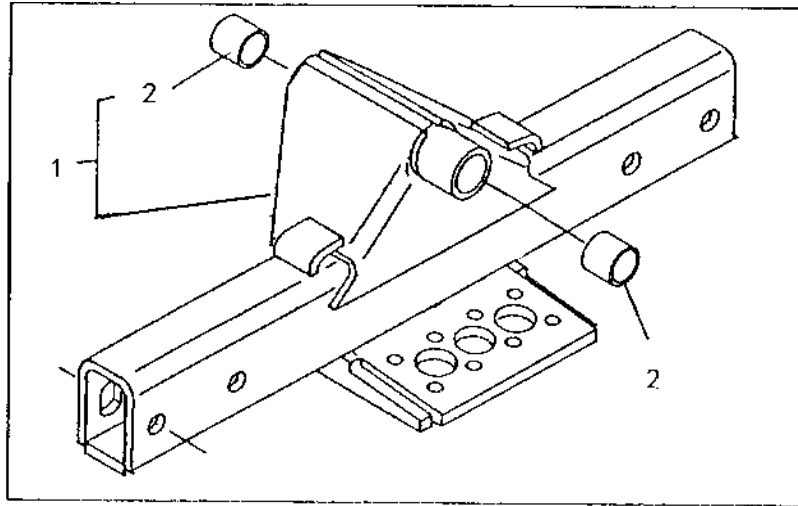
# 1J24

WHEELS, FRONT AXLE, AND SHEET METAL

## FRONT AXLE AND TIE ROD

MP6842

-UN-01JAN94



MP6842

# 1J25

WHEELS, FRONT AXLE, AND SHEET METAL

## FRONT AXLE AND TIE ROD (CONTINUED)

KEY	PART NO.	PART NAME	QTY	SERIAL NO.	1			REMARKS
					8	9	0	
					7	7	7	
					0	0	0	
1	AM877112	AXLE	1		X			(POWER STEERING)
	AM877114	AXLE	1			X		(POWER STEERING)
	AM877107	AXLE	1				X	
2	CH13298	BUSHING	2					CENTER PIN (SUB FOR M805921)
3	AM877109	AXLE	1		X			(MANUAL STEERING)
	AM877110	AXLE	1			X		(MANUAL STEERING)
4	14M7276	NUT	4					M16
5	M804113	BOLT	4					
6	M804135	TIE ROD	1		X			
	M804138	TIE ROD	1			X		
	M804140	TIE ROD	1				X	
7	CH12320	PIN	2		X	X		
	CH12320	PIN	6				X	
8	CH11642	NUT	2		X			
	CH13599	NUT	2			X	X	
9	CH11154	CLAMP	4		X			
	CH13192	CLAMP	2		X	X		TIE ROD
10	CH11155	BOLT	4		X			
	CH14162	CAP SCREW	2		X	X		
11	CH11156	EXTENSION	1		X			TIE ROD LH
	CH11157	EXTENSION	1		X			TIE ROD RH
	M804141	EXTENSION	1		X	X		TIE ROD LH
	M804142	EXTENSION	1		X	X		TIE ROD RH
12	CH11461	NUT	1					LH THREAD
	CH11462	NUT	1					RH THREAD
13	CH15805	FITTING	2					GREASE
14	AM877130	BALL JOINT	1					LH
	AM877125	BALL JOINT	1					RH
15	CH11448	COVER	2					
16	CH11450	NUT	2					

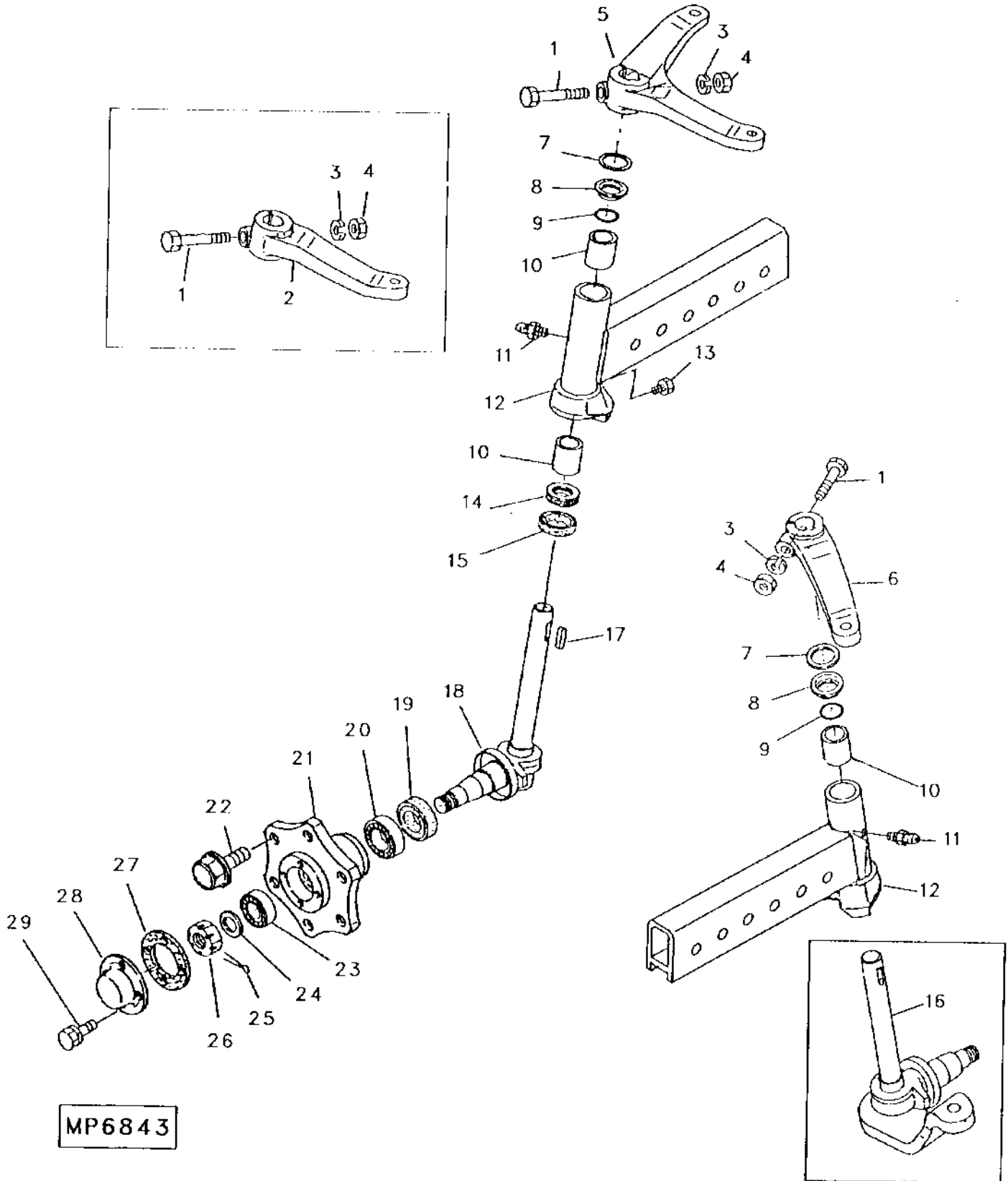
# 1K1

WHEELS, FRONT AXLE, AND SHEET METAL

MP6843

-UN-01JAN94

## FRONT AXLE KNEE AND SPINDLE



# 1K2

WHEELS, FRONT AXLE, AND SHEET METAL

## FRONT AXLE KNEE AND SPINDLE (CONTINUED)

KEY	PART NO.	PART NAME	QTY	SERIAL NO.	REMARKS
				1	
				8 9 0	
				7 7 7	
				0 0 0	
1	19M7390	CAP SCREW	2		M12 X 75
2	M804131	ARM	1		LH (POWER STEERING)
3	12M7067	LOCK WASHER	2		12.200 MM
4	14M7275	NUT	2		M12
5	M804137	ARM	1	X X	LH (MANUAL STEERING)
6	M804132	ARM	1		RH
7	CH11147	SHIM	2		
8	CH11140	RETAINER	2		
9	CH11466	PISTON RING	2		
10	CH13301	BUSHING	4		KING PIN
11	CH15805	FITTING	2		
12	AM877116	EXTENSION	2	X X	
	AM877118	EXTENSION	2		X
13	CH11127	BOLT	2		
14	CH11827	BALL BEARING	2		THRUST
15	CH11143	SEAL	2		
16	AM877124	KINGPIN	1		RH
17	CH11543	KEY	2		
18	AM877123	KINGPIN	1		LH
19	CH10879	SEAL	2		
20	CH11146	THRUST BEARING	2		TAPER ROLLER
21	CH11159	HUB	2		
22	M804143	BOLT	12		
23	CH11145	BEARING	2		TAPER ROLLER
24	M804122	WASHER	2		
25	11M7087	COTTER PIN	2		4 X 40 MM, (SUB FOR CH12324)
26	CH11144	NUT	2		
27	CH11161	SEAL	2		
28	CH11162	CAP	2		
29	19M6614	CAP SCREW	8		M6 X 12
	12M7006	LOCK WASHER	8		6.100 MM

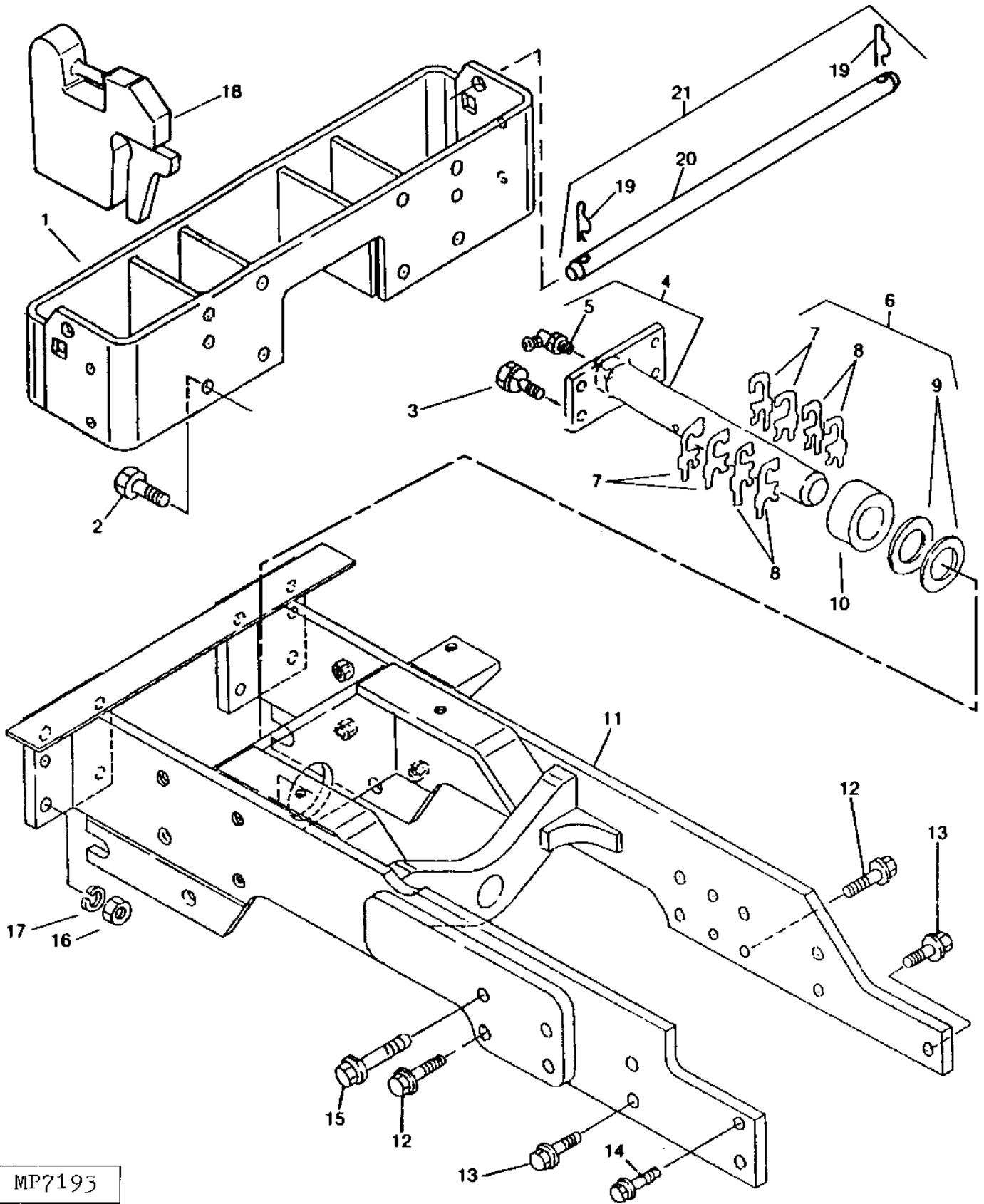
# 1K3

WHEELS, FRONT AXLE, AND SHEET METAL

MP7193

-UN-02JAN94

## FRONT FRAME



MP7193

# 1K4

WHEELS, FRONT AXLE, AND SHEET METAL

## FRONT FRAME (CONTINUED)

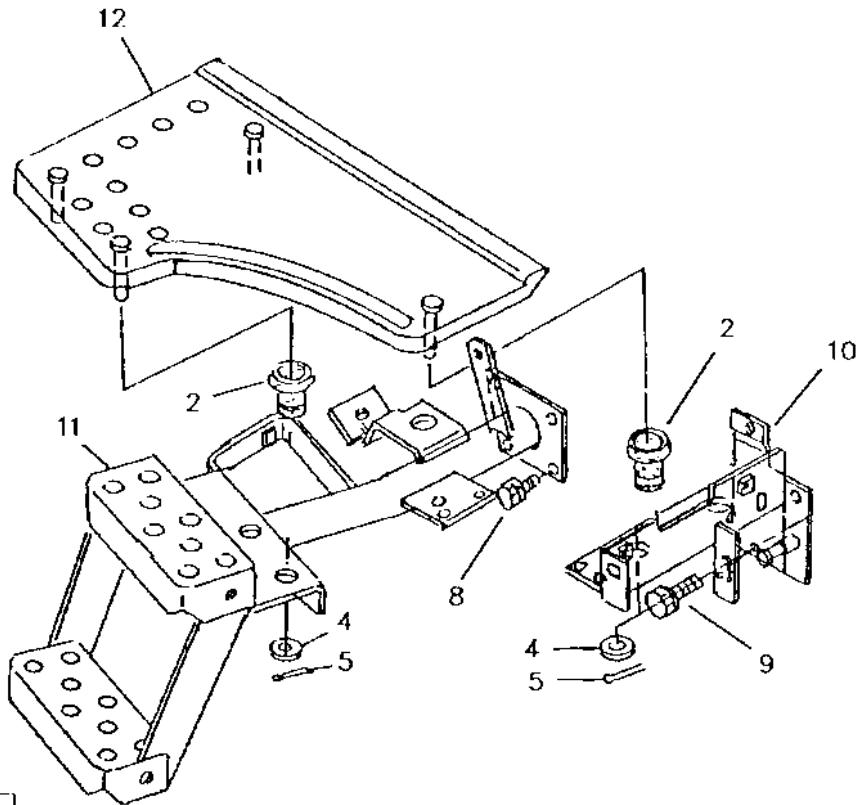
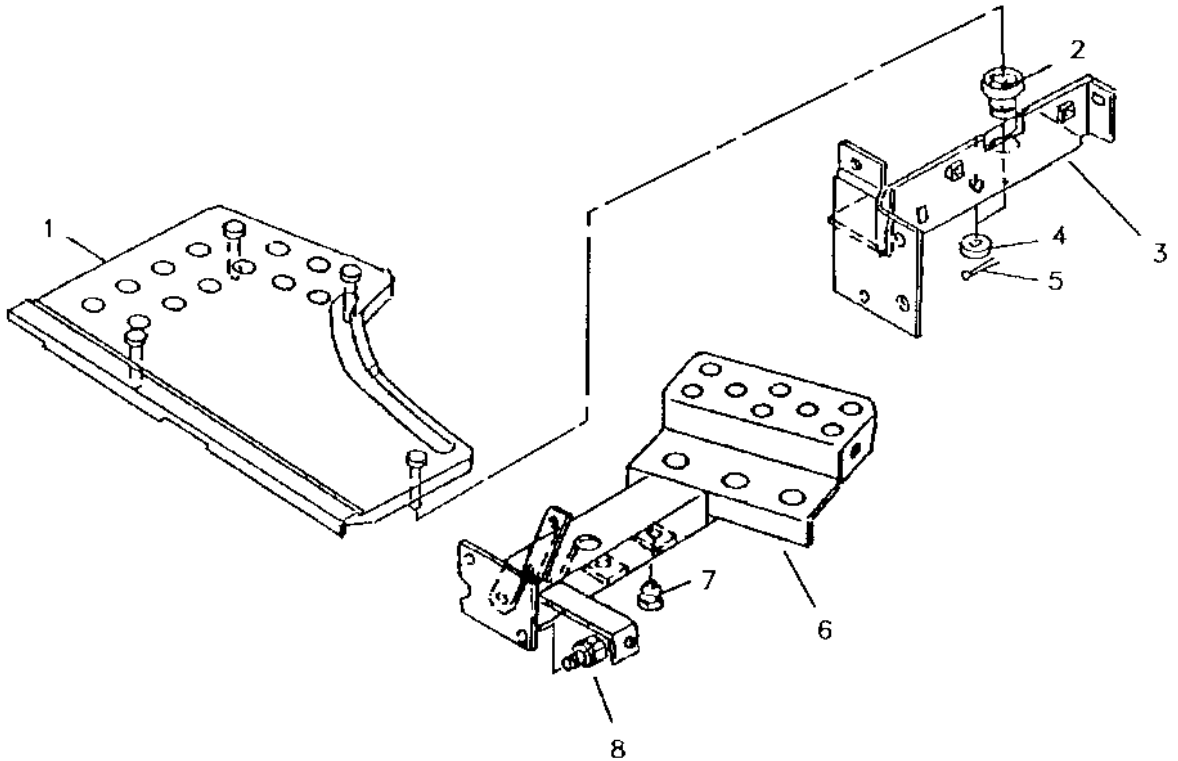
KEY	PART NO.	PART NAME	QTY	SERIAL NO.	REMARKS
					1 8 9 0 7 7 7 0 0 0
1	AM877105	BRACKET	1		WEIGHT
	AM877106	BRACKET	1	X X	WEIGHT
2	19M7493	CAP SCREW	8		M12 X 40 (HS, HEAD MARKED 10.9)
3	19M8011	CAP SCREW	4		M12 X 30 (HS, HEAD MARKED 10.9)
	12M7067	LOCK WASHER	4		12.200 MM
4	AM877120	PIN	1		CENTER
5	T116334	LUBRICATION FITTING	1		(SUB FOR TH100075)
6	AM877122	SHIM	1		KIT
7	.....	SHIM	4		(ORDER AM877122)
8	.....	SHIM	4		(ORDER AM877122)
9	.....	SHIM	2		(ORDER AM877122)
10	M804116	SPACER	1		
11	AM877102	FRAME	1	X	
	AM877104	FRAME	1	X X	
12	M802789	BOLT	7		
13	19M7788	SCREW	AR		M12 X 25 (HS, HEAD MARKED 10.9) (SUB FOR M802788)
14	M804085	BOLT	1		
15	M804086	BOLT	1		
16	14M7275	NUT	8		M12
17	12M7067	LOCK WASHER	8		12.200 MM
<b>18</b>	<b>R66949</b>	<b>WEIGHT</b>	<b>1</b>		
19	M40461	SPRING LOCKING PIN	2		(SUB FOR CH11527)
20	CH11120	ROD	1	X X	458 MM (18")
	CH13294	PIN	1	X	603.5 MM (23 3/4")
21	CH14083	PIN	1	X X	

# 1K5

MP6864

-UN-01JAN94

## FOOTREST AND SUPPORT



MP6864



# 1K6

WHEELS, FRONT AXLE, AND SHEET METAL

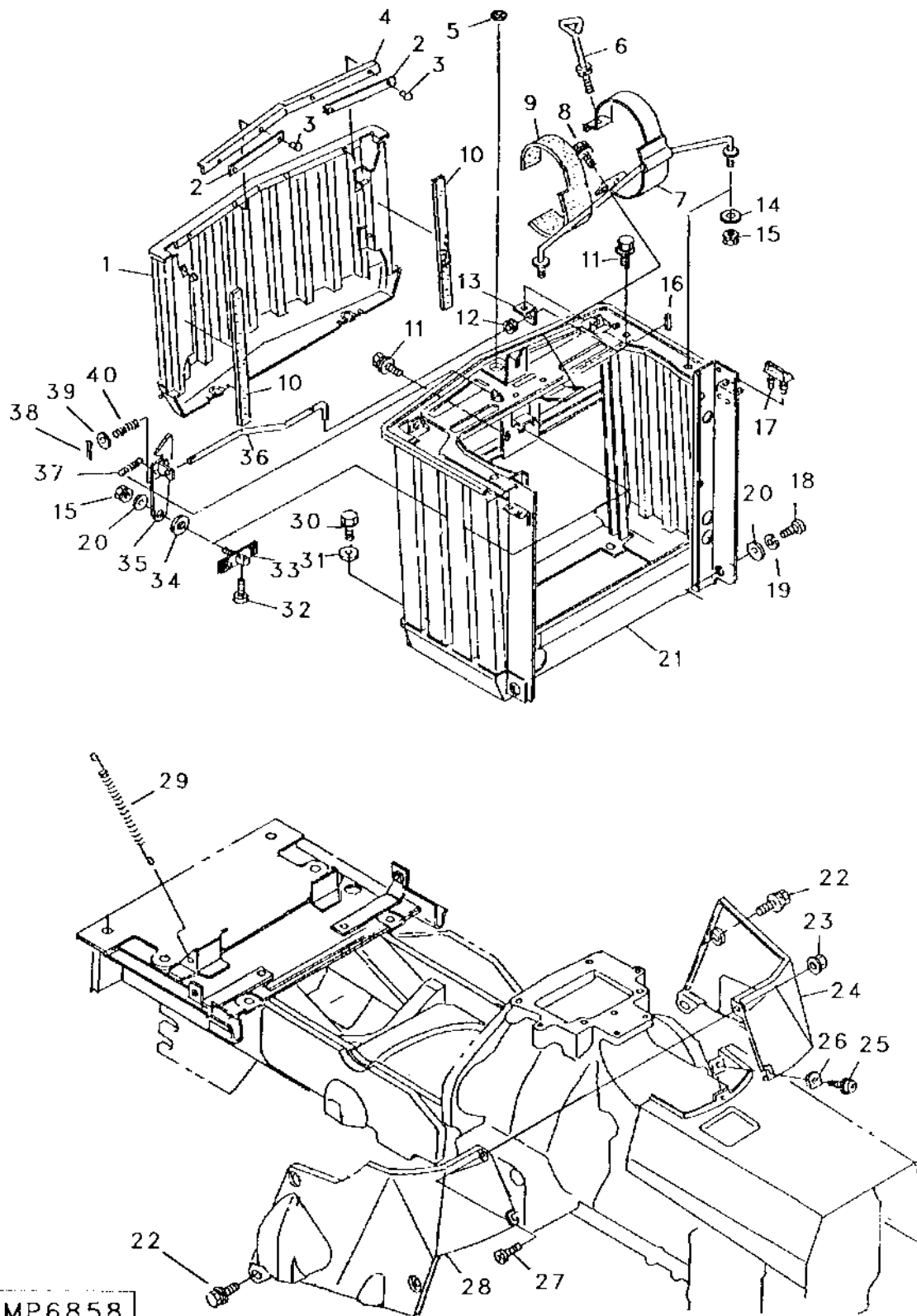
## FOOTREST AND SUPPORT (CONTINUED)

KEY	PART NO.	PART NAME	QTY	SERIAL NO.	1		REMARKS
					8 9 0	7 7 7	
					0 0 0		
1	AM877076	FOOTREST	1		X X		RH
	AM877078	FOOTREST	1			X	RH
2	M805286	CUSHION	10				(SUB FOR M803958)
3	AM877084	SUPPORT	1		X X		
	AM877086	SUPPORT	1			X	
4	AM877042	WASHER	8				
5	11M7082	COTTER PIN	8				2.500 X 25 MM
6	AM877080	SUPPORT	1		X X		RH
	AM877082	SUPPORT	1			X	RH
7	CH15270	BUMPER	1				PEDAL
8	19M7881	SCREW	7				M8 X 20 (HS, HEAD MARKED 10.9)
	12M7065	LOCK WASHER	7				8.100 MM
9	19M7162	CAP SCREW	4				M8 X 16
	12M7065	LOCK WASHER	4				8.100 MM
10	AM877809	SUPPORT	1		X X		
	AM877773	SUPPORT	1			X	(SUB FOR AM877085)
11	AM877079	SUPPORT	1		X X		FOOTREST
	AM877081	SUPPORT	1			X	FOOTREST
12	AM877075	FOOTREST	1		X X		LH
	AM877077	FOOTREST	1			X	LH

# 1K7

## FRONT GRILLE AND HOOD LATCH

MP6858 -UN-01JAN94



# 1K8

WHEELS, FRONT AXLE, AND SHEET METAL

## FRONT GRILLE AND HOOD LATCH (CONTINUED)

KEY	PART NO.	PART NAME	QTY	SERIAL NO.	REMARKS
				1	
				8 9 0	
				7 7 7	
				0 0 0	
1	AM876800	GRILLE	1		FRONT
2	M803823	PLATE	2		
3	M803459	RIVET	4		
4	M803409	SEAL	1		FRONT GRILLE
5	M803455	NUT	1		
6	AM877101	BOLT	1		AIR CLEANER
7	AM877100	BRACKET	1		AIR CLEANER
8	19M7162	CAP SCREW	1		M8 X 16
	12M7065	LOCK WASHER	1		8.100 MM
	24M7055	WASHER	1		8.400 X 16 X 1.600 MM
9	M804060	PAD	1		AIR CLEANER
10	M803354	STRIP	2		RUBBER
11	19M8425	CAP SCREW	3		M6 X 16 (HS, HEAD MARKED 10.9)
	12M7006	LOCK WASHER	3		6.100 MM
	24M7095	WASHER	3		8.400 X 15 X 1.600 MM
12	CH12122	GROMMET	1		
13	AM876801	SUPPORT	1		HOOD LOCK
14	24M7024	WASHER	2		9 X 28 X 3 MM
15	14M7273	NUT	2		M8
	12M7065	LOCK WASHER	2		8.100 MM
16	CH13499	SPRING PIN	1		
17	M803366	HOLDER	4		
18	19M7881	SCREW	2		M8 X 20 (HS, HEAD MARKED 10.9)
19	12M7065	LOCK WASHER	2		8.100 MM
20	24M7024	WASHER	3		9 X 28 X 3 MM
21	AM877057	FRAME	1		GRILLE
22	19M7077	CAP SCREW	6		M6 X 20
	12M7006	LOCK WASHER	6		6.100 MM
	24M7054	WASHER	6		6.400 X 12 X 1.600 MM
23	14M7272	NUT	1		M6
	12M7006	LOCK WASHER	1		6.100 MM
24	M804022	COVER	1		RH, DASH
25	M803429	SCREW	1		
26	AM876804	WASHER	1		
27	CH12597	SCREW	1		
28	M803921	COVER	1		X LH DASH (MANUAL STEERING)
	M804021	COVER	1		X X X LH DASH (POWER STEERING)
29	M803410	SPRING	2		
30	19M7402	CAP SCREW	2		M10 X 25 (HS, HEAD MARKED 10.9)
	12M7066	LOCK WASHER	2		10.200 MM
31	24M7178	WASHER	2		10.500 X 30 X 2.500 MM
32	CH13745	CAP SCREW	1		
33	AM876812	PIN	1		HOOD LOCK
34	M803458	WASHER	1		
35	AM876793	LEVER	1		HOOD LOCK
36	M803357	ROD	1		HOOD
37	M803454	SPRING	1		
38	11M7009	COTTER PIN	1		2 X 16 MM
39	24M7055	WASHER	1		8.400 X 16 X 1.600 MM
40	M803351	COMPRESSION SPRING	1		

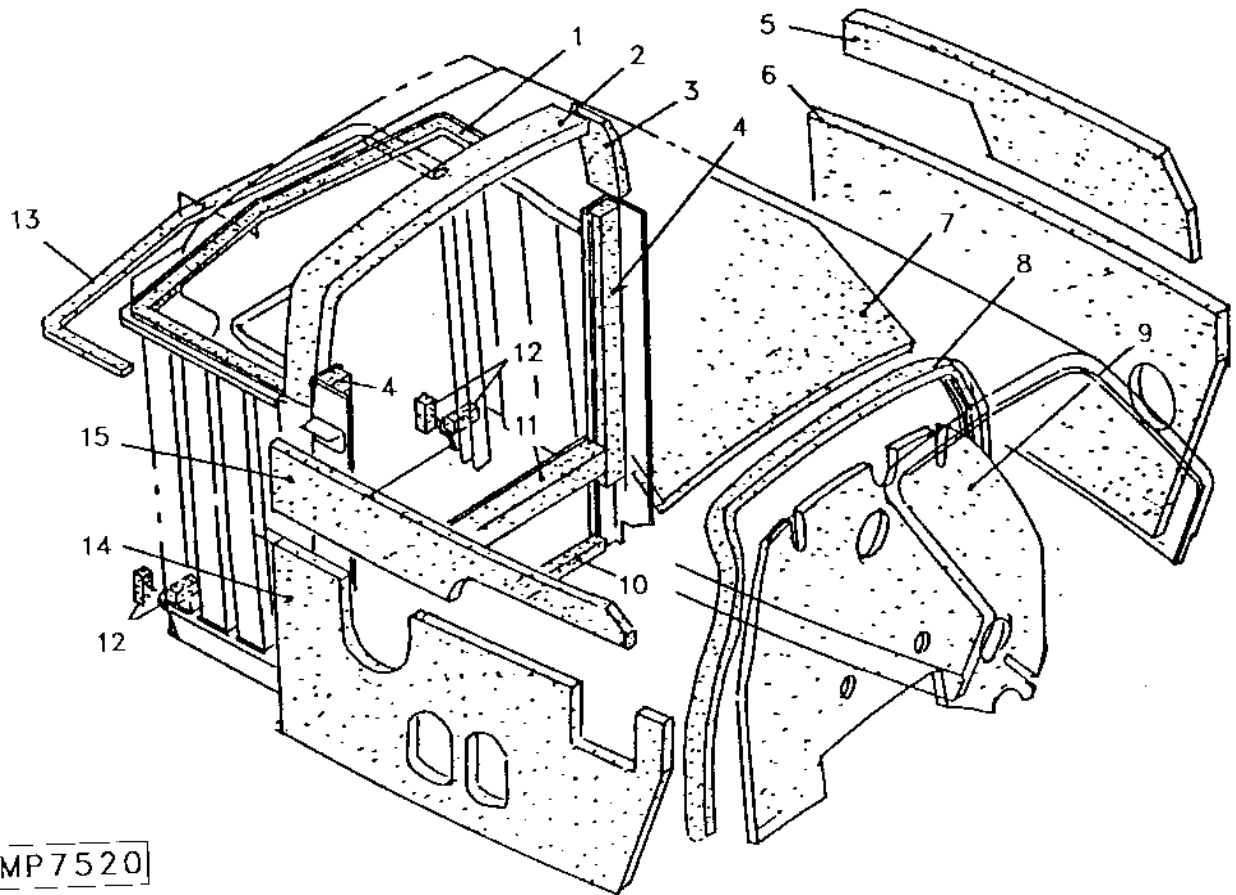
# 1K9

WHEELS, FRONT AXLE, AND SHEET METAL

MP7520

-UN-02JAN94

## HOOD PADS



MP7520

# 1K10

WHEELS, FRONT AXLE, AND SHEET METAL

## HOOD PADS (CONTINUED)

KEY	PART NO.	PART NAME	QTY	SERIAL NO.	REMARKS
1	M803452	FOAM PAD	1		
2	M803897	FOAM PAD	1		
3	M805115	SEAL	1		
4	M803885	SEAL	1		(SUB FOR M803887)
5	M803876	INSULATOR	1		
6	M803883	FOAM PAD	1		
7	M803881	FOAM PAD	1		
8	M803908	WEATHERSTRIP	1		
9	M803905	PAD	1		
10	M803886	INSULATOR	1		
11	M803448	INSULATOR	1		
12	M804310	SEAL	4		
13	M806758	SEAL	1		(SUB FOR M803443)
14	M803882	FOAM PAD	1		
15	M803875	SEAL	1		

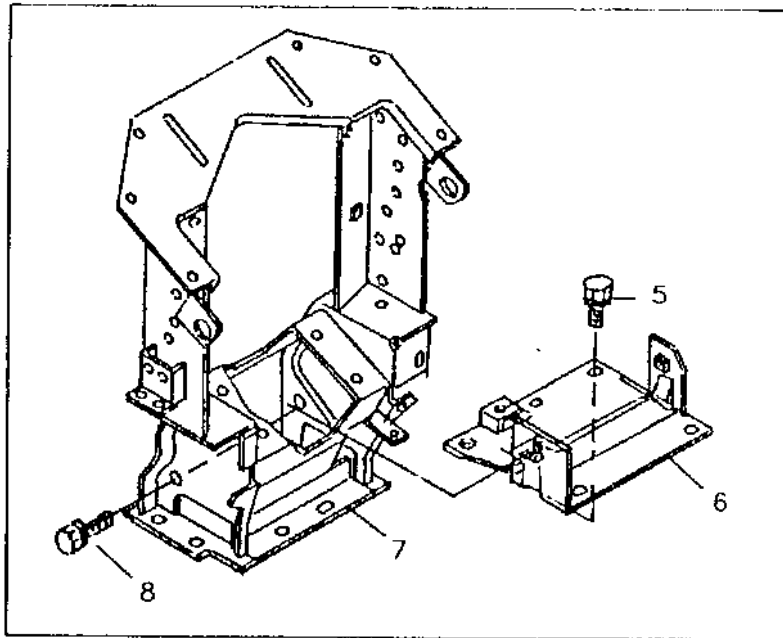
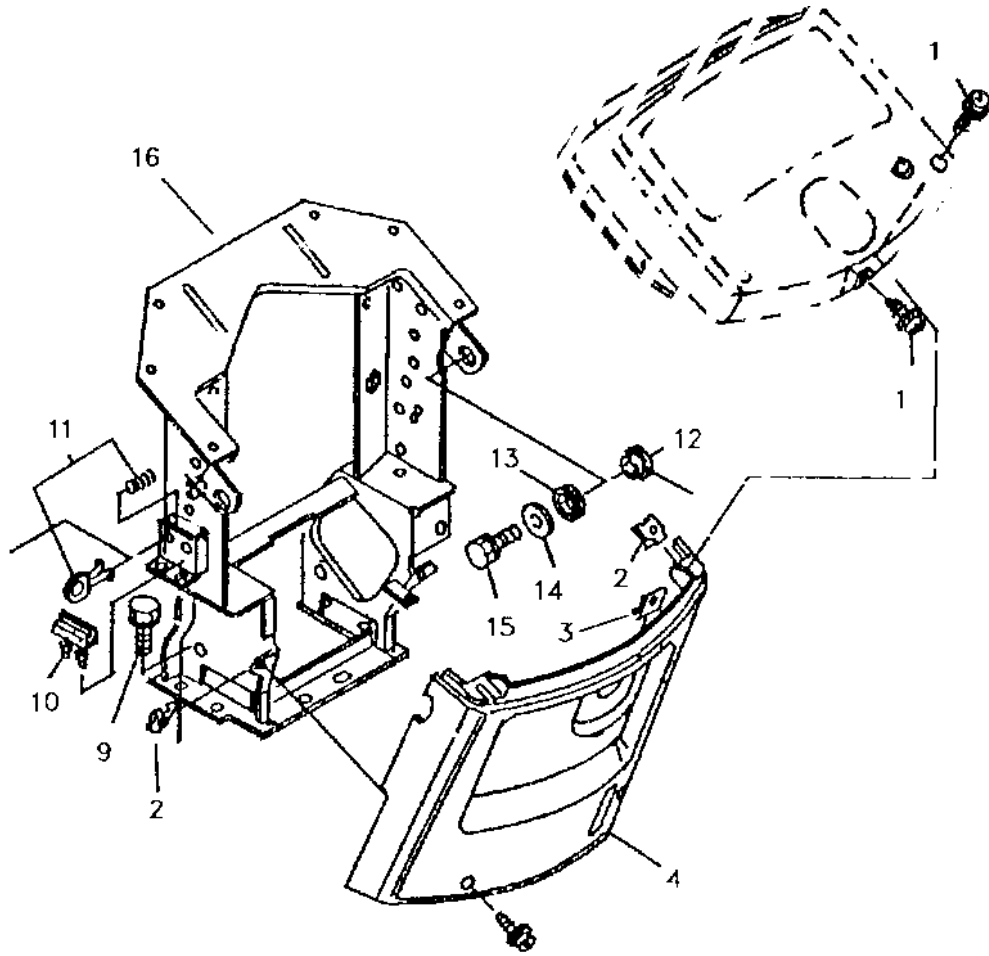
# 1K11

WHEELS, FRONT AXLE, AND SHEET METAL

## DASHBOARD SUPPORT AND COVER

MP6857

-UN-01JAN94



MP6857

# 1K12

WHEELS, FRONT AXLE, AND SHEET METAL

## DASHBOARD SUPPORT AND COVER (CONTINUED)

KEY	PART NO.	PART NAME	QTY	SERIAL NO.	REMARKS
				1	
				8 9 0	
				7 7 7	
				0 0 0	
1	M803429	SCREW	5		
2	M804314	NUT	4		
3	M803430	NUT	1		
4	M803462	COVER	1		DASH
5	CH18215	SCREW, WITH WASHER	4		X
6	AM877062	PLATE	1		X
7	AM877065	SUPPORT	1		X DASHBOARD
8	19M7881	SCREW	2		X M8 X 20 (HS, HEAD MARKED 10.9)
	12M7065	LOCK WASHER	2		X 8.100 MM
9	19M7938	CAP SCREW	4		M10 X 20 (HS, HEAD MARKED 10.9)
	12M7066	LOCK WASHER	4		10.200 MM
10	M803366	HOLDER	4		(RUBBER)
11	AM102018	CLIP	4		
12	M803412	BUSHING	2		HINGE
13	M803442	PACKING	2		HINGE
14	24M7178	WASHER	2		10.500 X 30 X 2.500 MM
15	19M7402	CAP SCREW	2		M10 X 25 (HS, HEAD MARKED 10.9)
	12M7066	LOCK WASHER	2		10.200 MM
16	AM877066	SUPPORT	1		X X DASHBOARD

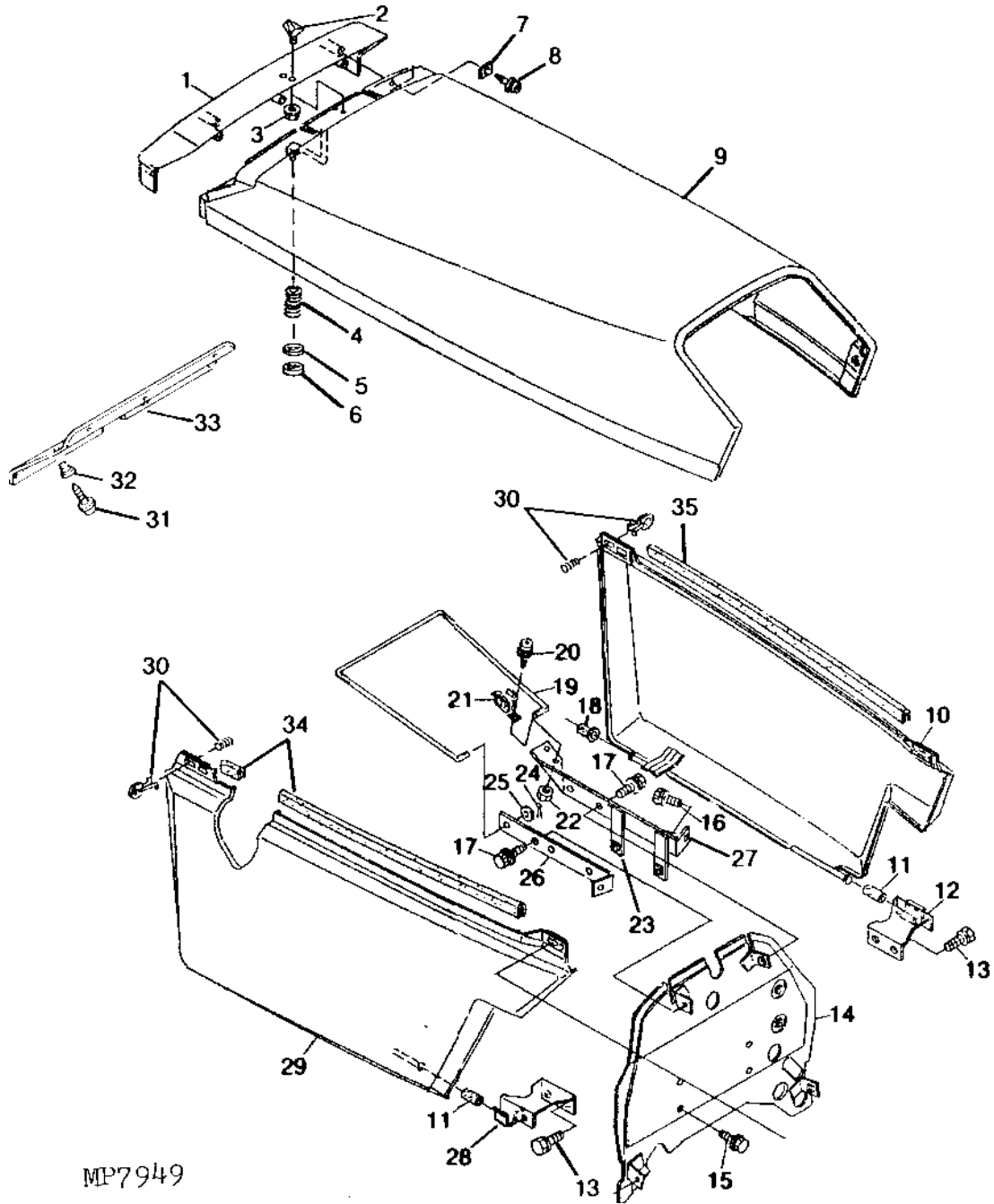
# 1K13

WHEELS, FRONT AXLE, AND SHEET METAL

MP7949

-UN-02JAN94

## HOOD AND SIDE SHIELD



MP7949



# 1K14

WHEELS, FRONT AXLE, AND SHEET METAL

## HOOD AND SIDE SHIELD (CONTINUED)

KEY	PART NO.	PART NAME	QTY	SERIAL NO.	REMARKS
				1	
				8 9 0	
				7 7 7	
				0 0 0	
1	M805036	HOOD	1		UPPER NOSE PIECE
2	CH11970	MEDALLION	1		
3	CH11460	NUT	1		(W/WASHER)
4	M803402	SPRING	1		
5	24M7055	WASHER	1		8.400 X 16 X 1.600 MM
6	M803455	NUT	1		
7	M804311	WASHER	2		
8	CH14175	SCREW	6		
9	AM877681	HOOD	1		(SUB FOR AM877056)
10	AM877054	SHIELD	1		RH
11	M803416	CUSHION	2		
12	AM877060	BRACKET	1		RH SIDE
13	19M7938	CAP SCREW	8		M10 X 20 (HS, HEAD MARKED 10.9)
	12M7066	LOCK WASHER	8		10.200 MM
14	AM877061	PLATE	1		AIR SHIELD
15	19M7864	SCREW	4		M8 X 12 (HS, HEAD MARKED 10.9)
16	19M7162	CAP SCREW	2		M8 X 16
	12M7065	LOCK WASHER	2		8.100 MM
17	19M8425	CAP SCREW	2		M6 X 16 (HS, HEAD MARKED 10.9)
	12M7006	LOCK WASHER	2		6.100 MM
	24M7095	WASHER	2		8.400 X 15 X 1.600 MM
18	M803827	CUSHION	2		(RUBBER)
19	M803906	STAND	1		HOOD
20	21M7278	SCREW	2		M5 X 10
	24M7027	WASHER	2		5.300 X 10 X 1 MM
	12M7064	LOCK WASHER	2		5.100 MM
21	M803411	HOLDER	1		
22	CH17809	NUT	2		
23	M803452	FOAM PAD	1		
24	11M7009	COTTER PIN	1		2 X 16 MM
25	24M7054	WASHER	2		6.400 X 12 X 1.600 MM
26	AM877705	SUPPORT	1		LH STAND
27	AM877058	SUPPORT	1		
28	AM877059	BRACKET	1		LH SIDE
29	AM877053	SHIELD	1	X X	LH
	AM877055	SHIELD	1	X	
30	AM102018	CLIP	4		QUARTERTURN
31	M803429	SCREW	7		
32	M803336	GROMMET	7		
33	M805037	PLATE	1		
34	M803911	SEAL	1		(NO LONGER AVAILABLE)
35	M803909	SEAL	1		(NO LONGER AVAILABLE)

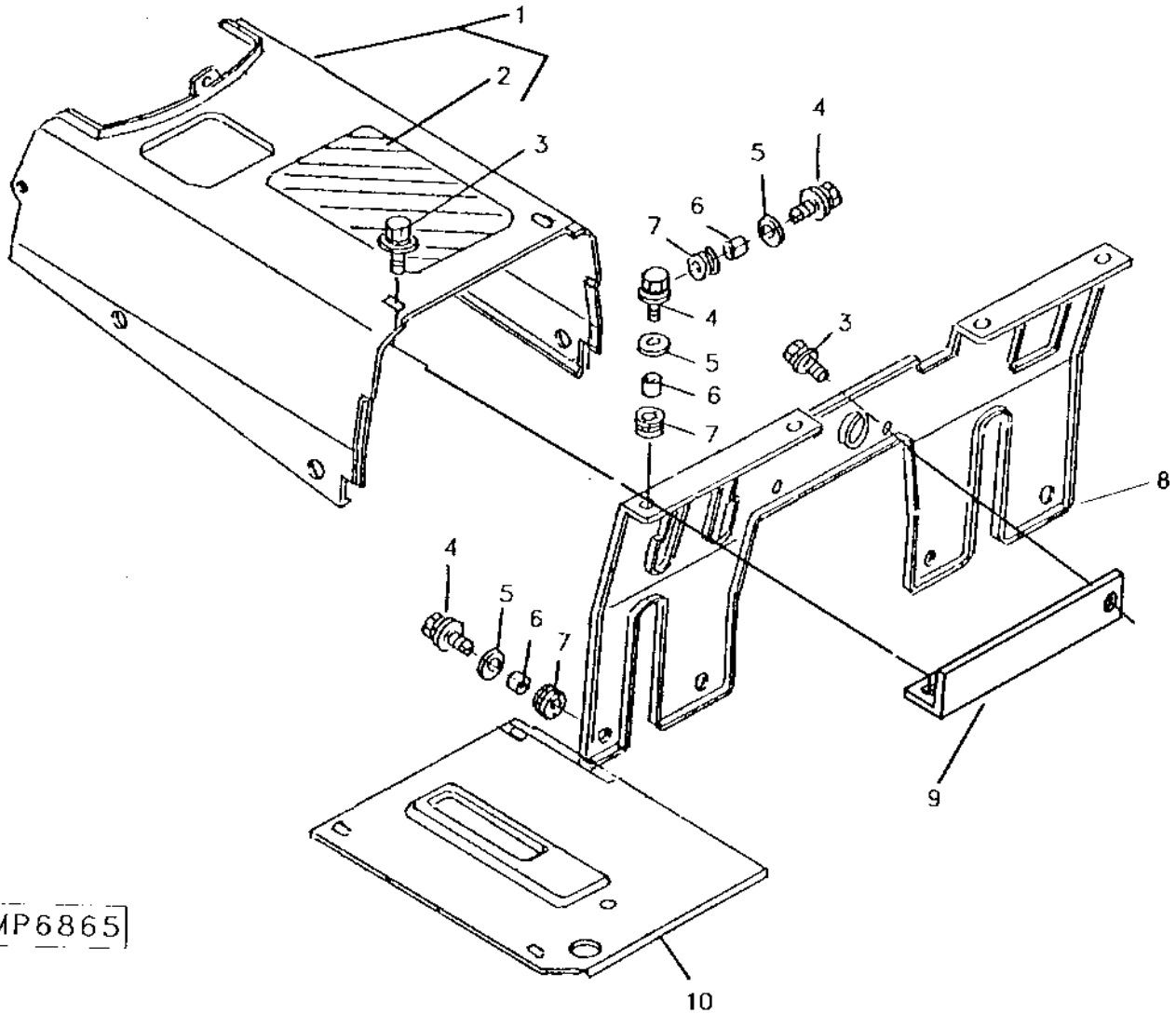
# 1K15

WHEELS, FRONT AXLE, AND SHEET METAL

## CLUTCH AND ROCKSHAFT COVER

MP6865

-UN-01JAN94



MP6865

# 1K16

WHEELS, FRONT AXLE, AND SHEET METAL

## CLUTCH AND ROCKSHAFT COVER (CONTINUED)

KEY	PART NO.	PART NAME	QTY	SERIAL NO.	REMARKS
				1	
				8 9 0	
				7 7 7	
				0 0 0	
1	AM877072	COVER	1		CLUTCH KIT
2	M803535	LABEL	1		CAUTION
3	19M8425	CAP SCREW	4		M6 X 16 (HS, HEAD MARKED 10.9)
	12M7006	LOCK WASHER	4		6.100 MM
	24M7095	WASHER	4		8.400 X 15 X 1.600 MM
	19M7774	SCREW	4	X	M6 X 12 (HS, HEAD MARKED 10.9) (TRACTORS WITH DRAFT SENSING)
4	M801763	BOLT	12		(W/WASHER)
	M87820	BOLT	12	X	(TRACTORS WITH DRAFT SENSING)
5	CH14140	WASHER	12		
6	M803502	BUSHING	12		
7	M803530	GROMMET	12		
8	M803951	COVER	1	X X	ROCKSHAFT
	M803952	COVER	1	X	ROCKSHAFT
9	AM877074	SUPPORT	1		
10	M803955	COVER	1	X X	DUST LH
	M803957	COVER	1	X	DUST LH

NOTE: SEE SECTION 92 FOR 1070 CREEPER VERSION



# 1K18

WHEELS, FRONT AXLE, AND SHEET METAL

## REAR FENDER AND BRACKET (CONTINUED)

KEY	PART NO.	PART NAME	QTY	SERIAL NO.	REMARKS
				1 8 9 0 7 7 7 0 0 0	
1	AM876822	BAR	2		ASSIST
2	19M7162	CAP SCREW	4	X X	(B) M8 X 16
	12M7065	LOCK WASHER	4	X X	(B) 8.100 MM
	24M7055	WASHER	4	X X	(B) 8.400 X 16 X 1.600 MM
	19M7864	SCREW	4	X X	(A) M8 X 12 (HS, HEAD MARKED 10.9)
3	AM877068	FENDER	1		RH
4	M803507	RUBBER MOUNT	10		
5	M803541	BUSHING	4		
6	M803506	RUBBER MOUNT	10		
7	24M7024	WASHER	10		9 X 28 X 3 MM
8	19M7288	CAP SCREW	4	X X	(B) M8 X 30
	12M7065	LOCK WASHER	4	X X	(B) 8.100 MM
	19M7868	SCREW	4	X X	(A) M8 X 30 (HS, HEAD MARKED 10.9)
9	14M7273	NUT	12		M8
	12M7065	LOCK WASHER	12		8.100 MM
	24M7055	WASHER	12		8.400 X 16 X 1.600 MM
10	AM877069	FENDER	1		LH
11	AM877070	BRACKET	1	X X	FENDER
	AM877071	BRACKET	1		X FENDER
12	M800078	STUD	2	X X	(B)
	M800112	BOLT	2	X X	(A)
13	19M7162	CAP SCREW	4	X X	(B) M8 X 16
	19M7865	SCREW	4	X X	(A) M8 X 16 (HS, HEAD MARKED 10.9)
14	19M8425	CAP SCREW	13	X X	(B) M6 X 16 (HS, HEAD MARKED 10.9)
	12M7006	LOCK WASHER	13	X X	(B) 6.100 MM
	24M7095	WASHER	13	X X	(B) 8.400 X 15 X 1.600 MM
	19M7774	SCREW	13	X X	(A) M6 X 12 (HS, HEAD MARKED 10.9)
15	M803956	COVER	1	X X	DUST RH
	M803960	COVER	1		X DUST RH
16	CH16952	NUT	2		
17	11M7009	COTTER PIN	AR		2 X 16 MM
18	AM876809	PLUG	1	X X	(B)
	AM876809	PLUG	2	X X	(A)
19	AM877067	GUIDE	1		
20	CH11011	CAP	1	X X	(B)
	CH11011	CAP	2	X X	(A)
21	M803922	COVER	1		
22	AM877774	STOP	1	X X	(A) D LEVER
23	19M7774	SCREW	1	X X	(A) M6 X 12 (HS, HEAD MARKED 10.9)

(A) TRACTORS WITH DRAFT SENSING

(B) TRACTORS W/O DRAFT SENSING

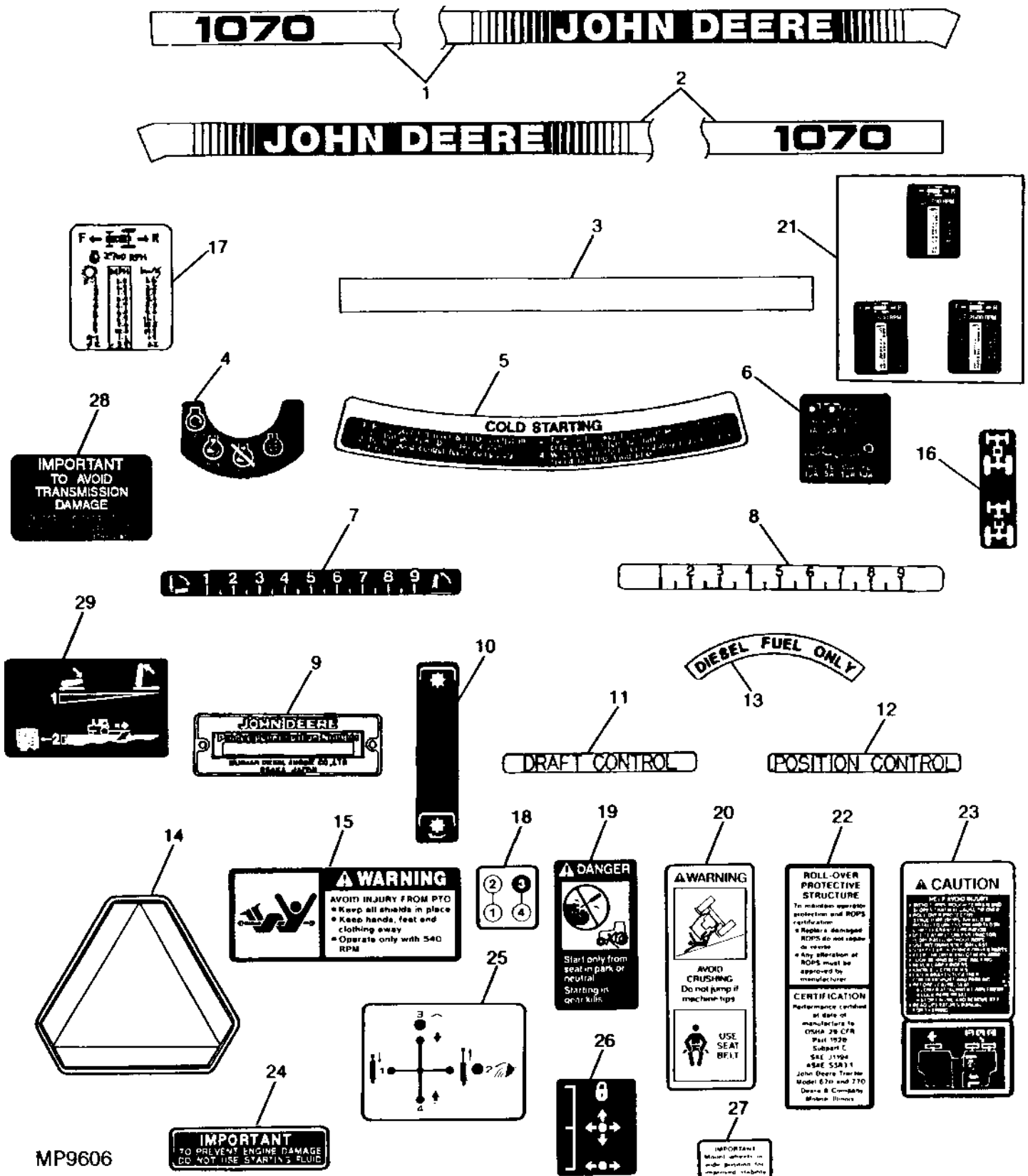
# 1K19

WHEELS, FRONT AXLE, AND SHEET METAL

MP9606

-UN-02JAN94

## LABELS



MP9606

THIS PARTS LISTING IS CONTINUED

# 1K20

WHEELS, FRONT AXLE, AND SHEET METAL

## LABELS (CONTINUED)

KEY	PART NO.	PART NAME	QTY	SERIAL NO.	1 8 9 0 7 7 7 0 0 0	REMARKS
1	M804855	LABEL	1		X	
	M804857	LABEL	1		X	
	M804859	LABEL	1		X	
2	M804856	LABEL	1		X	
	M804858	LABEL	1		X	
	M804860	LABEL	1		X	
3	M803568	LABEL	1			FRONT
4	M803571	LABEL	1			
5	M803572	LABEL	1			
6	M803573	LABEL	1			FUSE
7	M803574	LABEL	1			LEVER (NO LONGER USED)
8	M805224	LABEL	1		X	
	M805224	LABEL	1		X	(DRAFT SENSING VERSION)
9	.....	SERIAL NUMBER PLATE	1			(NOT AVAILABLE SEPARATELY)
10	M803575	LABEL	1			
11	CH17718	LABEL	1		X	(NO LONGER USED)
12	M805223	LABEL	1		X	
13	CH13832	LABEL	1			
14	TY2615	SMV EMBLEM	1			
	AM877568	BRACKET	1			
	19M8425	CAP SCREW	2			M6 X 16 (HS, HEAD MARKED 10.9)
	12M7006	LOCK WASHER	2			6.100 MM
	24M7095	WASHER	2			8.400 X 15 X 1.600 MM
	19M7077	CAP SCREW	2			M6 X 20
	12M7006	LOCK WASHER	2			6.100 MM
	24M7054	WASHER	2			6.400 X 12 X 1.600 MM
15	M117557	LABEL	1			
16	M803576	LABEL	1			
17	.....	LABEL	1			(ORDER AM878166 SPEED LABEL KIT)
18	M803679	LABEL	1			SCV COUPLER
19	T146102	LABEL	1			
20	M76637	LABEL	1			
21	AM878166	KIT	1			SPEED LABEL
22	M76636	LABEL	1			
23	M803535	LABEL	1			
24	M88198	LABEL	1			
25	M90604	LABEL	1			
26	M803678	LABEL	1			
27	M93008	LABEL	1			
28	M805852	LABEL	1		X	CREEPER
29	M805225	LABEL	1		X	ROCKSHAFT
	M805225	LABEL	1		X	ROCKSHAFT (DRAFT SENSING VERSION)





# 1K22

WHEELS, FRONT AXLE, AND SHEET METAL

## LABELS (FRENCH) (CONTINUED)

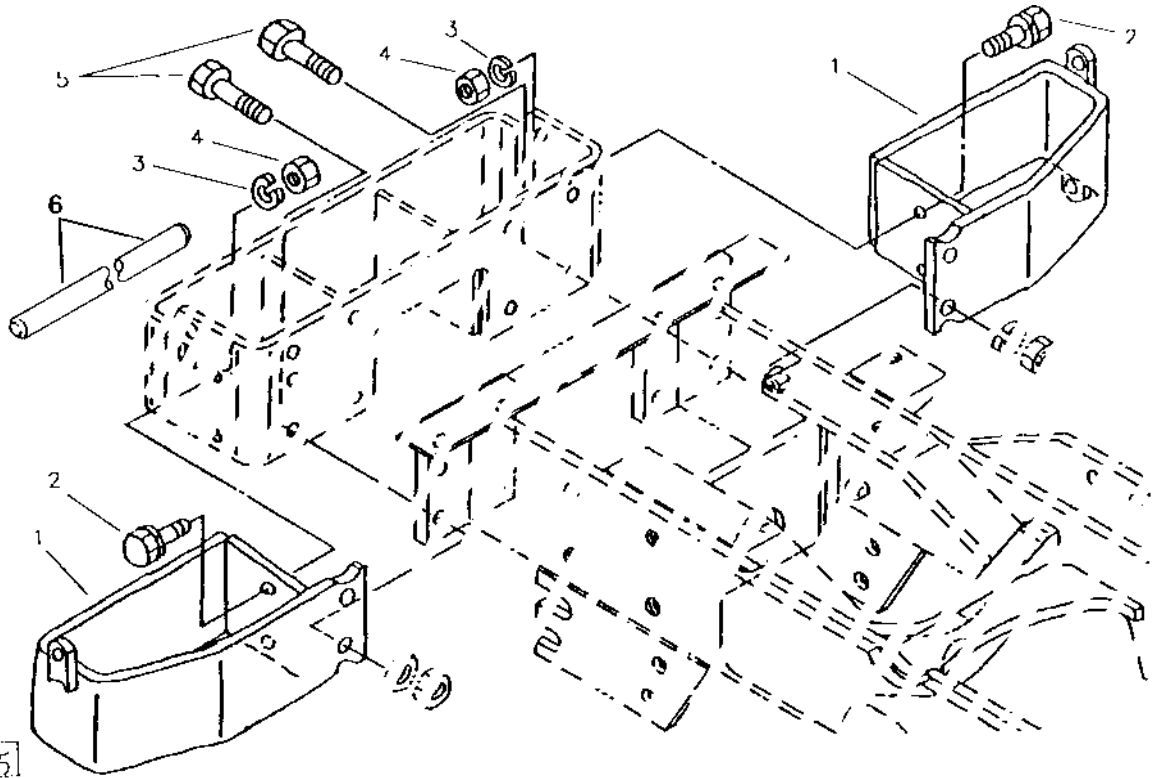
KEY	PART NO.	PART NAME	QTY	SERIAL NO.	REMARKS
1	.....	LABEL	1		
2	M88337	LABEL	1		
3	.....	LABEL	1		
4	M118208	LABEL	1		
5	T146104	SAFETY SIGN	1		
6	M76643	LABEL	1		
7	.....	LABEL	1		
8	M76641	LABEL	1		
9	AM108945	DECAL KIT	1	FRENCH	

# 1K23

WHEELS, FRONT AXLE, AND SHEET METAL

MP7185 -UN-02JAN94

## FRONT HITCH KIT (OPTIONAL)



KEY	PART NO.	PART NAME	QTY	SERIAL NO.	REMARKS
				1 8 9 0 7 7 7 0 0 0	
1	AM877601	HITCH	2	X X	
	AM877717	HITCH	1		X
	AM877718	HITCH	1		X
2	19M7493	CAP SCREW	4		M12 X 40 (HS, HEAD MARKED 10.9)
	12M7067	LOCK WASHER	4		12.200 MM
3	12M7067	LOCK WASHER	4		12.200 MM
4	14M7275	NUT	4		M12
5	19M7073	CAP SCREW	4		M12 X 50
6	M805080	PIN	1	X X	925MM (24.6")
..	<b>BM17999</b>	<b>KIT</b>	<b>1</b>	<b>X X</b>	<b>FRONT WEIGHT BRACKET AND HARDWARE (REPLACES AM107224)</b>
..	<b>BM17975</b>	<b>EXTENSION</b>	<b>1</b>	<b>X</b>	<b>(REPLACES AM108027)</b>

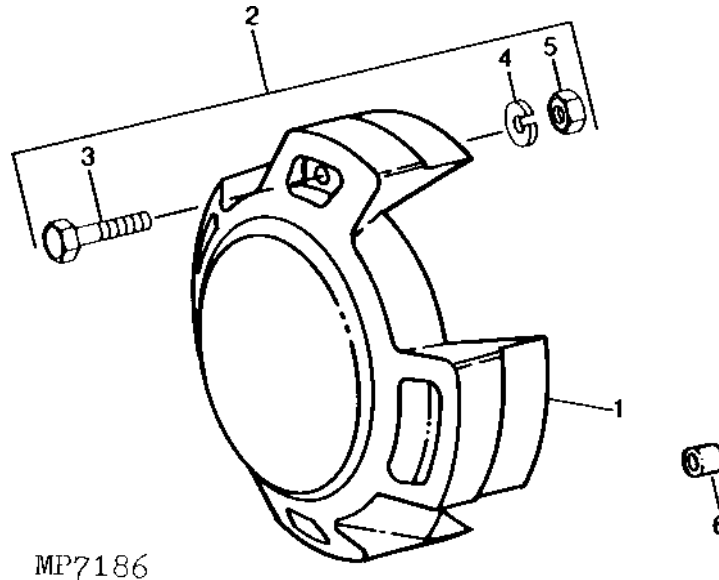
# 1K24

WHEELS, FRONT AXLE, AND SHEET METAL

## 870/970/1070 REAR WHEEL WEIGHT KIT

MP7186

-UN-02JAN94



KEY	PART NO.	PART NAME	QTY	SERIAL NO.	REMARKS
1	M77781	WEIGHT	1		(MAXIMUM 3 WEIGHTS PER WHEEL)
	R56920	WEIGHT	1		REAR WHEEL
2	<b>BM17974</b>	<b>KIT</b>	1		<b>(A) STARTER WEIGHT MOUNTING HARDWARE (REPLACES AM107280)</b>
	AM107287	KIT	1		(B) EXTRA WEIGHT MOUNTING HARDWARE (NO LONGER AVAILABLE) (ORDER COMPONENTS)
	<b>BM17968</b>	<b>WEIGHT</b>	1		<b>(C) (D)</b>
3	19M7501	CAP SCREW	3		(A) M16 X 110, (USE WITH STARTER WEIGHT)
	03H1516	BOLT	3		(B) 5/8" X 3-3/4", (USE WITH EXTRA WEIGHTS)
	19M8485	CAP SCREW	3		(C) M16 X 90 (HS, HEAD MARKED 10.9)
	19M7344	CAP SCREW	3		(D) M16 X 65
4	12M7069	LOCK WASHER	3		(A) (C) (D) 16.200 MM
	12H294	LOCK WASHER	3		(B) 5/8"
5	14M7276	NUT	3		(A) (C) M16
	14H1039	NUT	3		(B) 5/8"
6	M77782	SPACER	3		

(A) FOR TIRE SIZE (870/970) 12.4-24 AND (970/1070) 13.6-24

(B) FOR TIRE SIZES (970/1070) 13.6-28

(C) FOR TIRE SIZES 355/80D-20 AND 44 X 18-20

(D) (870) 12.4-24; (870/970) 11.2-24; (970) 12.4-24; (970/1070) 13.6-24

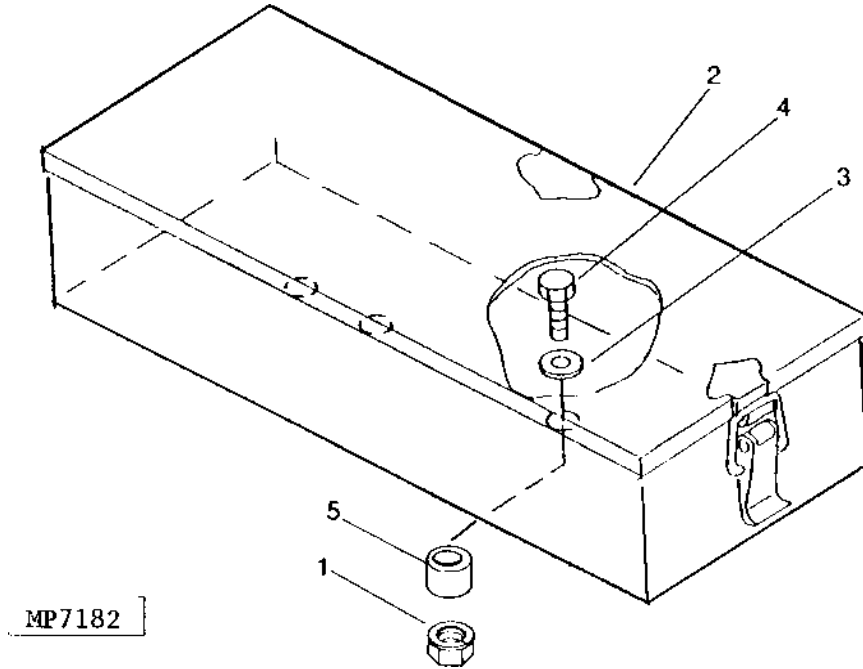
MEMORANDA

# 2A18

OPERATOR STATION

MP7182 -UN-02JAN94

## TOOL BOX



KEY	PART NO.	PART NAME	QTY	SERIAL NO.	REMARKS
				1 8 9 0 7 7 7 0 0 0	
1	14M7273	NUT	2		M8
	12M7065	LOCK WASHER	2		8.100 MM
2	M804020	TOOLBOX	1		
3	24M7024	WASHER	2		9 X 28 X 3 MM
4	19M7162	CAP SCREW	2		M8 X 16
5	M95542	SPACER	2	X X	

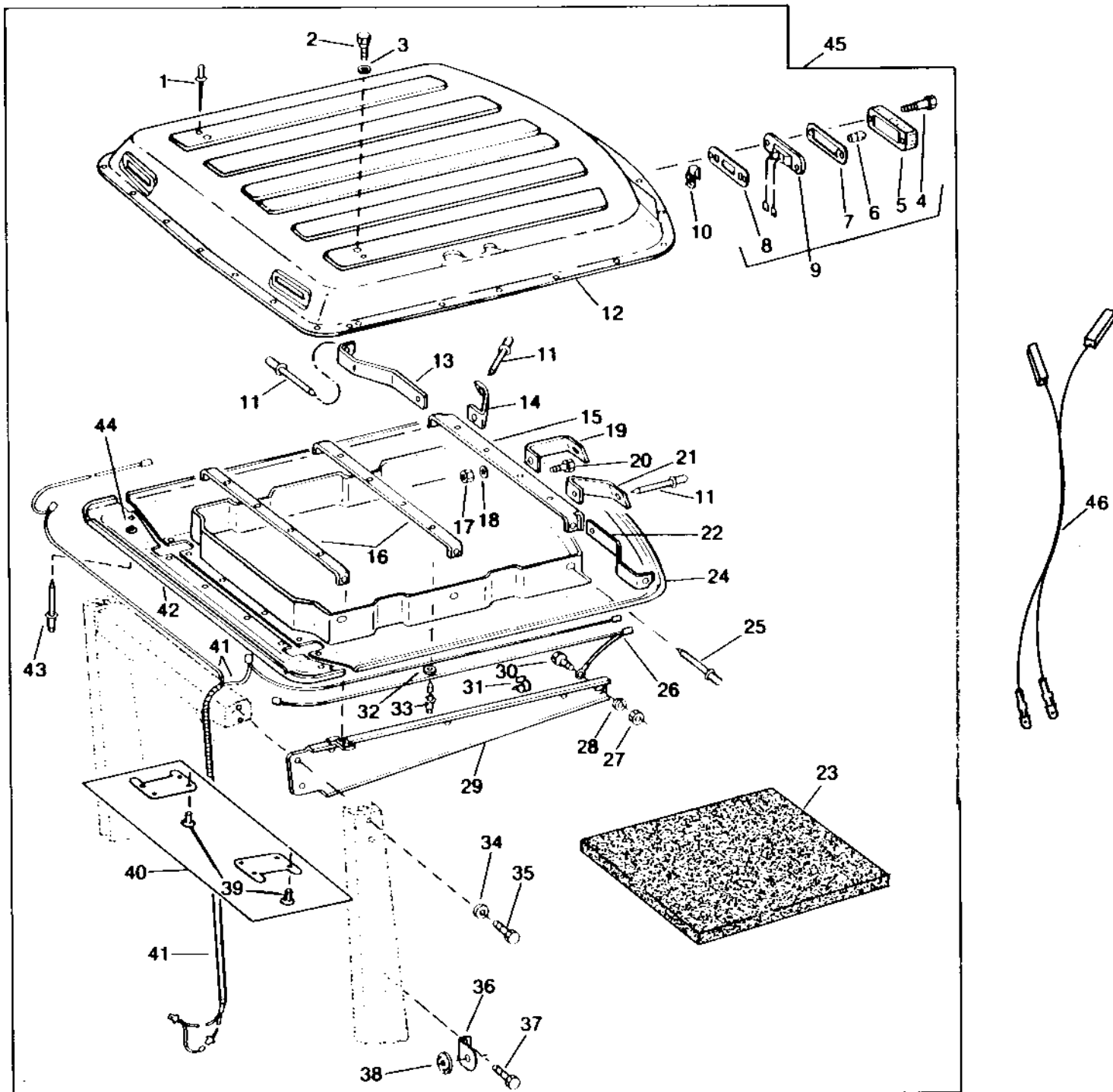
# 2A19

OPERATOR STATION

MP7506

-UN-02JAN94

## ROLL-GARD CANOPY



MP7506

## ROLL-GARD CANOPY (CONTINUED)

KEY	PART NO.	PART NAME	QTY	TRACTOR SERIAL NO.	REMARKS
1	R55326	RIVET	2	(A)	
2	19H1792	CAP SCREW	2	1/2" X 1"	
3	24H1227	WASHER	2	17/32" X 13/16" X 0.060"	
4	R54781	SCREW	8		
5	R54779	LENS	4		
6	AD2062R	BULB	4	(12-VOLT)	
7	R54782	GASKET	4		
8	R61179	GASKET	4		
9	AR60250	LAMP	4		
10	R53528	NUT	8		
11	R55326	RIVET	17	(A)	
12	R60100	CANOPY	1	(A) (SUB FOR AR78261)	
13	R62926	BRACE	1	(A)	
14	R81223	BRACKET	1		
15	AR77698	SUPPORT	1	(A) (INCLUDES 2 SPACERS)	
16	R62922	SUPPORT	2	(A)	
17	14H812	NUT	7	(A) 3/8"	
18	24H1682	WASHER	7	(A) 13/32" X 7/8" X 0.120"	
19	R81221	BRACKET	1		
20	19H1731	CAP SCREW	7	(A) 3/8" X 1"	
21	R81222	BRACKET	1		
22	R62925	BRACE	1	(A)	
23	R60101	ISOLATOR	1	(A)	
24	R60103	PANEL	1		
25	R55326	RIVET	6	(A)	
26	AR56211	WIRING HARNESS	2		
27	14H812	NUT	6	(A) 3/8"	
28	24H1682	WASHER	2	(A) 13/32" X 7/8" X 0.120"	
29	AR72902	SUPPORT	1	RH	
	AR72903	SUPPORT	1	LH	
30	19H1731	CAP SCREW	6	(A) 3/8" X 1"	
31	R21551	CLIP	4		
32	R52119	WASHER	32		
33	R63679	RIVET	32		
34	24M7047	WASHER	4	13 X 24 X 2.500 MM	
35	19M8011	CAP SCREW	4	M12 X 30 (HS, HEAD MARKED 10.9)	
36	R60459	BRACKET	2		
37	37H3	SCREW	4	1/4" X 5/8"	
38	T33745	REFLECTOR	2		
39	R63679	RIVET	8	XXXXXX-	
40	AR76583	COVER	2	XXXXXX-	
41	AR72987	WIRING HARNESS	1		
	H97644	CONDUIT	1	(SUB FOR R50452)	
42	R60104	PANEL	1		
43	R63679	RIVET	6		
44	R52119	WASHER	6		
45	RE19445	CANOPY	1	(SUB FOR AR73336)	
46	AM108665	WIRING HARNESS	1	(CANOPY ADAPTER)	
..	AR73338	ROOF	1	CANOPY WITH SUPPORT AND INSULATION (INCLUDES PARTS MARKED (A))	

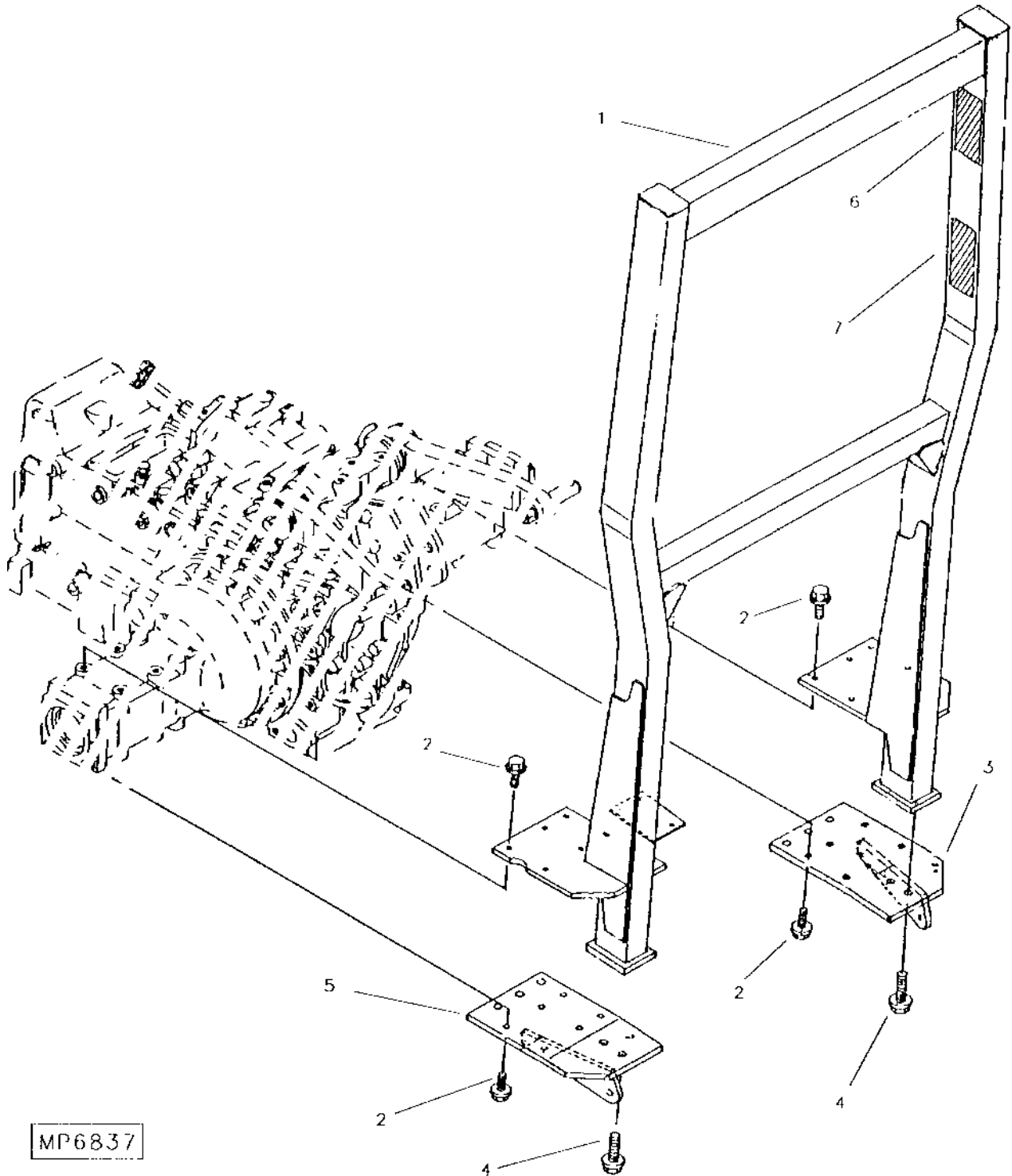
# 2A21

OPERATOR STATION

MP6837

-UN-01JAN94

ROLL-GARD



MP6837



# 2A22

OPERATOR STATION

ROLL-GARD (CONTINUED)

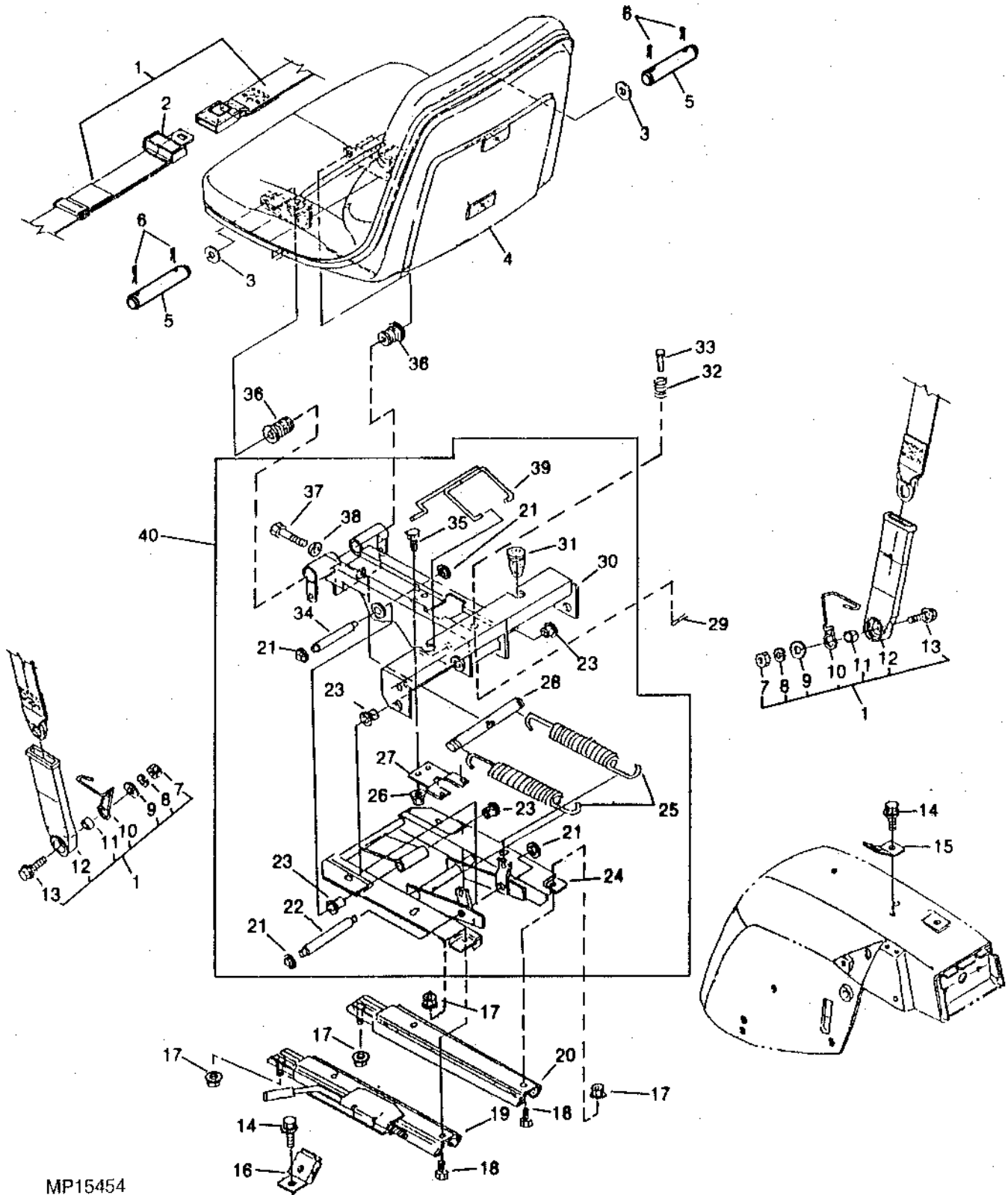
KEY	PART NO.	PART NAME	QTY	SERIAL NO.	REMARKS
					1 8 9 0 7 7 7 0 0 0
1	.....	FRAME	1	X X	(ORDER AM877632)
	.....	FRAME	1	X	(ORDER AM877307)
2	19M7788	SCREW	24		M12 X 25 (HS, HEAD MARKED 10.9) (SUB FOR M802788)
3	AM877806	PLATE	1	X X	(SUB FOR AM877636)
	AM877808	PLATE	1	X	(SUB FOR AM877310)
4	M803629	BOLT	4		
5	AM877805	PLATE	1	X X	(SUB FOR AM877635)
	AM877807	PLATE	1	X	(SUB FOR AM877309)
6	M76637	LABEL	1		
7	M76636	LABEL	1		(SUB FOR M804977 OR M804420)
..	AM877632	ROPS	1	X X	KIT
..	AM877307	ROPS	1	X	KIT

# 2A23

OPERATOR STATION

SEAT 870 SIMPLE (SN -140025), 870 DELUXE (SN -140655), 970 SIMPLE (SN -140015), 970 DELUXE (SN -140456), 1070 (SN -140756)

MP15454 -UN-14MAY96



MP15454

# 2A24

OPERATOR STATION

SEAT (CONTINUED) 870 SIMPLE (SN -140025), 870 DELUXE (SN -140 655), 970 SIMPLE (SN -140015), 970 DELUXE (SN -140456), 1070 (SN -140756)

KEY	PART NO.	PART NAME	QTY	SERIAL NO.	REMARKS
1	AM876817	SEAT BELT	1	SEAT	
2	M803483	COVER	1	BELT	
3	.....	PLATE	2	FRICION (NO LONGER AVAILABLE)	
4	M805158	SEAT	1	(SUB FOR M803465)	
5	M805020	PIN	1	SEAT	
6	CH12319	PIN	2		
7	M803480	NUT	2		
8	12H293	LOCK WASHER	2	7/16", (SUB FOR M800883)	
9	24H1325	WASHER	2	15/32" X 59/64" X 0.065", (SUB FOR M800882)	
10	M803780	HOLDER	2		
11	M803482	BUSHING	2		
12	M803481	COVER	2		
13	M800880	BOLT	2		
14	19M7162	CAP SCREW	2	M8 X 16	
	12M7065	LOCK WASHER	2	8.100 MM	
	24M7055	WASHER	2	8.400 X 16 X 1.600 MM	
15	M803564	HOOK	1	RH	
16	AM877045	HOOK	1	LH	
17	14M7273	NUT	8	M8	
	12M7065	LOCK WASHER	8	8.100 MM	
	24M7055	WASHER	8	8.400 X 16 X 1.600 MM	
18	19M7162	CAP SCREW	4	M8 X 16	
19	M804017	ADJUSTER	1	LH SEAT	
20	M804018	ADJUSTER	1	RH SEAT	
21	M804011	NUT	4		
22	M804009	PIN	1		
23	.....	BUSHING	4	(ORDER AM877063)	
24	.....	PLATE	1	(ORDER AM877063)	
25	M804010	EXTENSION SPRING	2	SEAT	
26	14M7272	NUT	2	M6	
	12M7006	LOCK WASHER	2	6.100 MM	
27	M803989	PLATE	1	SEAT SWITCH	
28	M803961	HOOK	1	SPRING	
29	11M7082	COTTER PIN	1	2.500 X 25 MM	
30	AM878857	FRAME	1	UPPER	
31	M804015	CUSHION	2		
32	M804016	EXTENSION SPRING	1	DEFEAT	
33	M804019	PIN	1	DEFEAT	
34	M804433	PIN	1		
35	19M8425	CAP SCREW	2	M6 X 16 (HS, HEAD MARKED 10.9)	
36	M803470	RUBBER MOUNT	2		
37	M806847	BOLT	1	(HS, HEAD MARKED 10.9)	
38	24M7028	WASHER	1	10.500 X 20 X 2 MM	
39	AM877090	SUPPORT	1	DEFEAT LOCK	
40	AM878860	SHIPPING BUNDLE	1	(SUB FOR AM877063)	

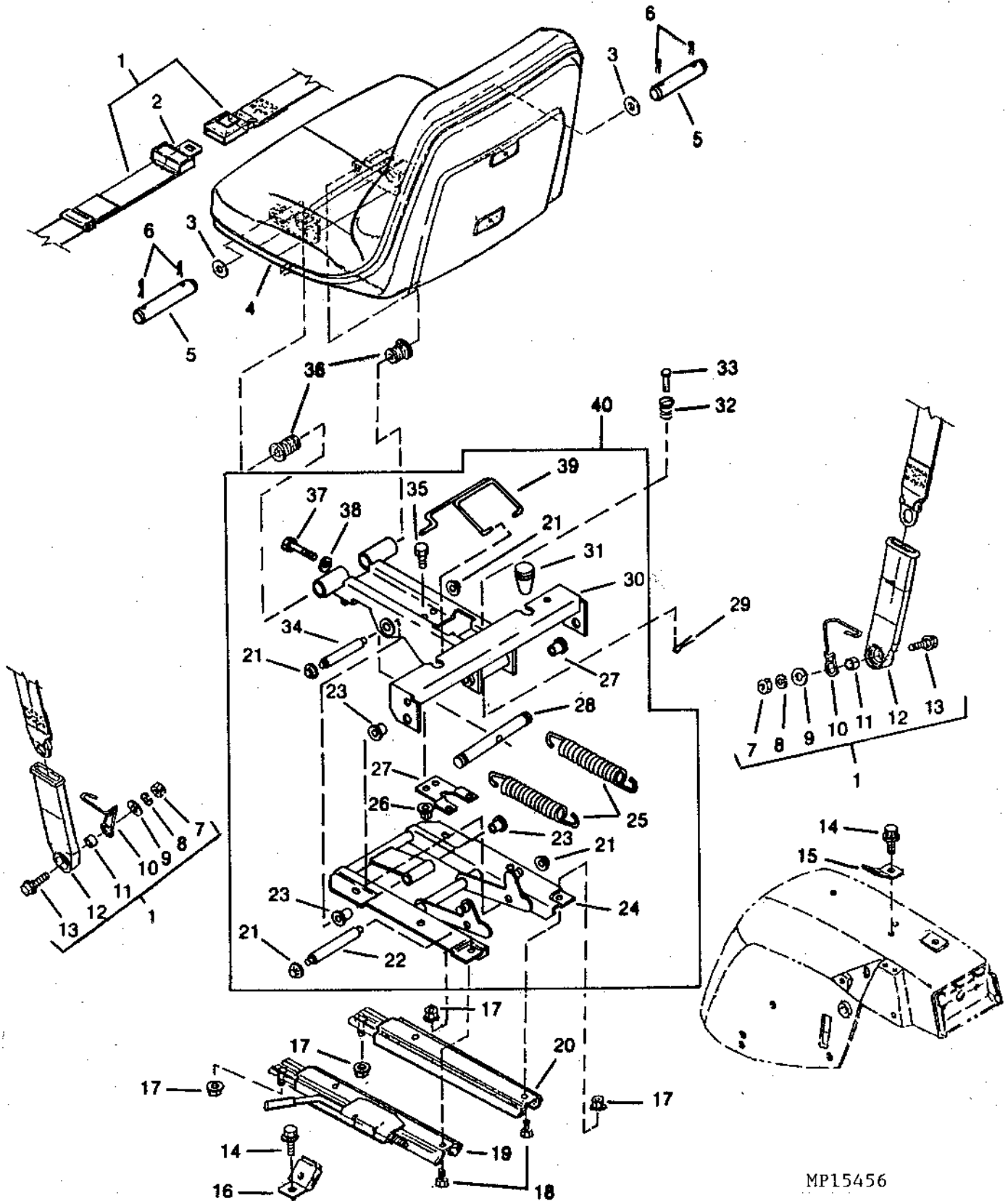
# 2B1

OPERATOR STATION

SEAT 870 SIMPLE (SN 140026- ), 870 DELUXE (SN 140656- ), 970 SIMPLE (SN 140016- ), 970 DELUXE (SN 140547- ), 1070 (SN 140757- )

MP15456

-UN-14MAY96



MP15456

# 2B2

OPERATOR STATION

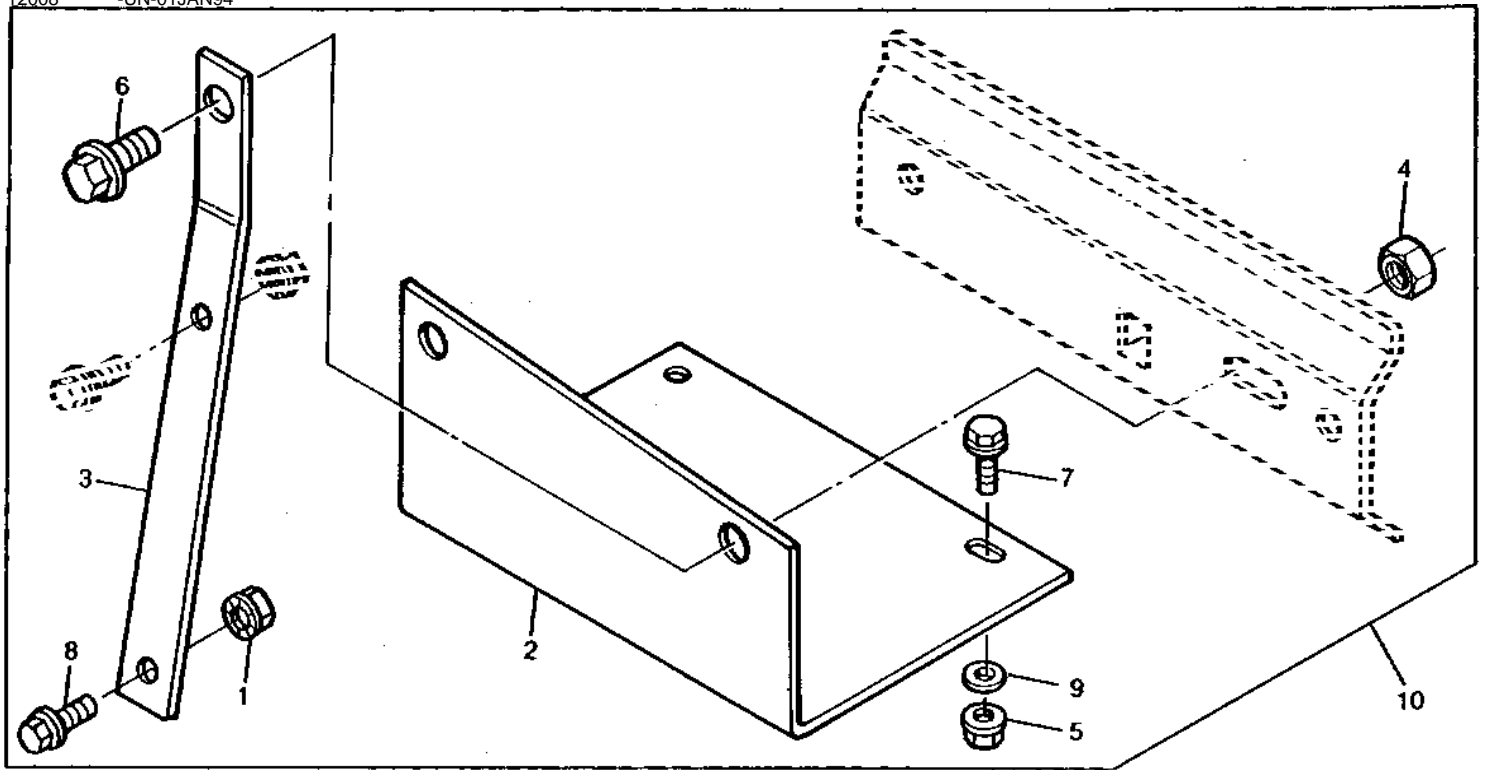
SEAT (CONTINUED) 870 SIMPLE (SN 140026- ), 870 DELUXE (SN 140616- ), 970 SIMPLE (SN 140016- ),  
970 DELUXE (SN 140457- ), 1070 (SN 140757- )

KEY	PART NO.	PART NAME	QTY	SERIAL NO.	REMARKS
1	AM876817	SEAT BELT	1		
2	M803483	COVER	1	BELT	
3	.....	PLATE	2	FRICITION (NO LONGER AVAILABLE)	
4	M805158	SEAT	1	(SUB FOR M803465)	
5	M805020	PIN	1	SEAT	
6	CH12319	PIN	2		
7	M803480	NUT	2		
8	12H293	LOCK WASHER	2	7/16", (SUB FOR M800883)	
9	24H1325	WASHER	2	15/32" X 59/64" X 0.065", (SUB FOR M800882)	
10	M803780	HOLDER	2		
11	M803482	BUSHING	2		
12	M803481	COVER	2		
13	M800880	BOLT	2		
14	19M7162	CAP SCREW	2	M8 X 16	
	12M7065	LOCK WASHER	2	8.100 MM	
	24M7055	WASHER	2	8.400 X 16 X 1.600 MM	
15	M803564	HOOK	1	RH	
16	AM877045	HOOK	1	LH	
17	14M7273	NUT	8	M8	
	12M7065	LOCK WASHER	8	8.100 MM	
	24M7055	WASHER	8	8.400 X 16 X 1.600 MM	
18	19M7162	CAP SCREW	4	M8 X 16	
19	M804017	ADJUSTER	1	LH SEAT	
20	M804018	ADJUSTER	1	RH SEAT	
21	M804011	NUT	4		
22	M804009	PIN	1		
23	.....	BUSHING	4	(ORDER AM878860)	
24	AM878859	PLATE	1	(ORDER AM877063)	
25	M806833	EXTENSION SPRING	2	SEAT	
26	14M7272	NUT	2	M6	
	12M7006	LOCK WASHER	2	6.100 MM	
27	M803989	PLATE	1	SEAT SWITCH	
28	M803961	HOOK	1	SPRING	
29	11M7082	COTTER PIN	1	2.500 X 25 MM	
30	AM878857	FRAME	1	UPPER	
31	M804015	CUSHION	2		
32	M804016	EXTENSION SPRING	1	DEFEAT	
33	M804019	PIN	1	DEFEAT	
34	M804433	PIN	1		
35	19M8425	CAP SCREW	2	M6 X 16 (HS, HEAD MARKED 10.9)	
36	M803470	RUBBER MOUNT	2		
37	M806847	BOLT	1		
38	24M7028	WASHER	1	10.500 X 20 X 2 MM	
39	AM877090	SUPPORT	1	DEFEAT LOCK	
40	AM877063	SEAT SUSPENSION	1		

# 2B3

## TOOL BOX MOUNTING KIT

MP12008 -UN-01JAN94



MP12008

KEY	PART NO.	PART NAME	QTY	SERIAL NO.	REMARKS
1	E63525	NUT	1		FREE SPINNING
2	M94750	BRACKET	1		TOOL BOX
3	M94751	BRACE	1		SUPPORT
4	14H821	NUT	2		5/8"
5	14M7296	FLANGE NUT	2		M10
6	19H2367	CAP SCREW	2		5/8" X 3/4"
7	19M7784	SCREW	2		M10 X 20 (HS, HEAD MARKED 10.9)
8	19M7865	SCREW	1		M8 X 16 (HS, HEAD MARKED 10.9)
9	24M7178	WASHER	2		10.500 X 30 X 2.500 MM
10	AM116620	KIT	1		TOOL BOX MOUNTING (NO LONGER AVAILABLE)

---

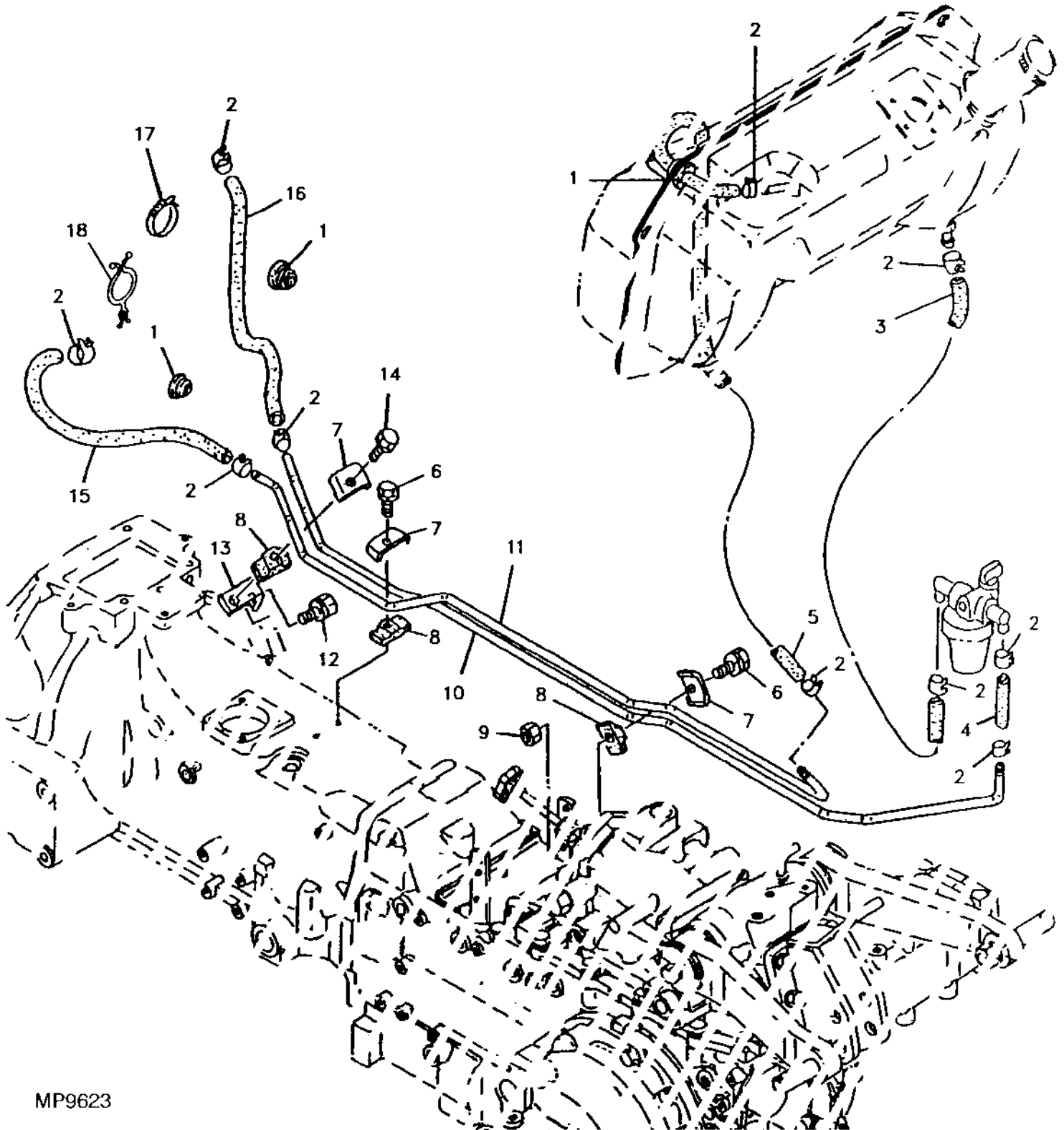
MEMORANDA

# 2B6

1070 CREEPER VERSION

MP9623 -UN-02JAN94

## FUEL LINE AND HOSES



MP9623



# 2B7

1070 CREEPER VERSION

## FUEL LINE AND HOSES (CONTINUED)

KEY	PART NO.	PART NAME	QTY	SERIAL NO.	REMARKS
1	CH17296	GROMMET	4		
2	AR48236	CLAMP	10		
3	M804046	FUEL LINE	1		
4	M804046	FUEL LINE	1		
5	M805006	HOSE	1		
6	19M7867	SCREW	2		M8 X 25 (HS, HEAD MARKED 10.9)
7	M804052	CHANNEL	3		
8	M805132	BASE	3		
9	14M7273	NUT	1		M8
10	M804044	FUEL LINE	1		
11	M804043	FUEL LINE	1		
12	19M7865	SCREW	1		M8 X 16 (HS, HEAD MARKED 10.9)
13	M804045	BRACKET	1		
14	19M7868	SCREW	1		M8 X 30 (HS, HEAD MARKED 10.9)
15	M804049	FUEL LINE	1		
16	M804051	FUEL LINE	1		
17	R44302	TIE BAND	2		
18	T110095	CLIP	1		

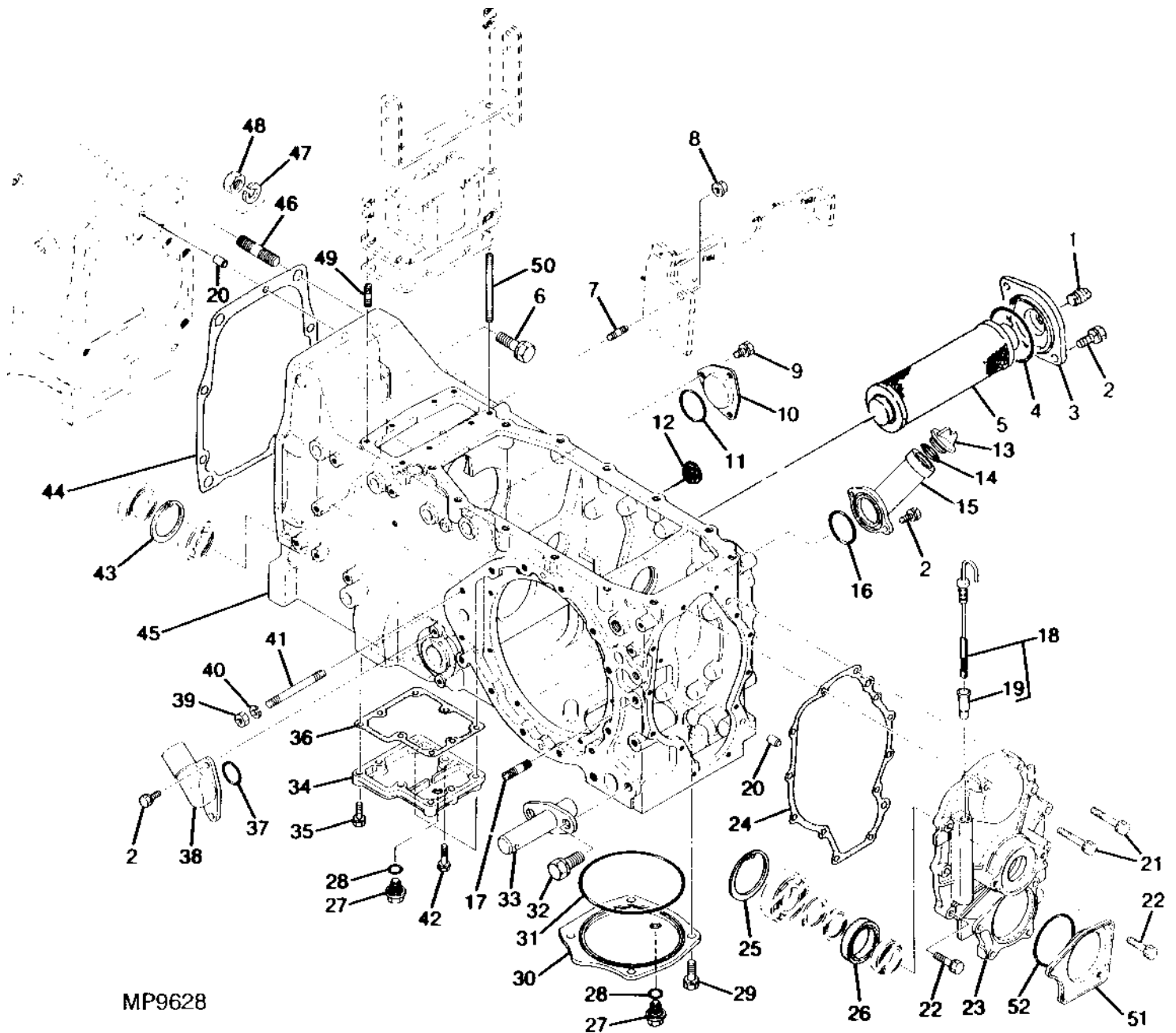
# 2B8

1070 CREEPER VERSION

MP9628

-UN-02JAN94

## TRANSMISSION HOUSING



MP9628

# 2B9

1070 CREEPER VERSION

## TRANSMISSION HOUSING (CONTINUED)

KEY	PART NO.	PART NAME	QTY	SERIAL NO.	REMARKS
1	15H584	PIPE PLUG	1	1/2"	
2	19M7881	SCREW	6	M8 X 20 (HS, HEAD MARKED 10.9)	
	12M7065	LOCK WASHER	6	8.100 MM	
3	M804496	COVER	1		
4	CH14671	PACKING	1		
5	CH19172	STRAINER	1		
6	19M7493	CAP SCREW	2	M12 X 40 (HS, HEAD MARKED 10.9)	
	12M7067	LOCK WASHER	2	12.200 MM	
7	CH16781	STUD	1	(A)	
8	14M7273	NUT	1	M8	
	12M7065	LOCK WASHER	1	8.100 MM	
	24M7055	WASHER	1	8.400 X 16 X 1.600 MM	
9	19M7932	CAP SCREW	11	M8 X 16 (HS, HEAD MARKED 10.9)	
	12M7065	LOCK WASHER	11	8.100 MM	
10	M804489	COVER	1		
11	CH11436	PACKING	1		
12	CH14751	CAP	1	SEAL (FOR 2WD)	
13	M800628	CAP	1		
14	M802001	O-RING	1		
15	M804487	FILLER NECK	1		
16	TH104972	O-RING	1		
17	M805045	STUD	2	(A)	
18	AM877804	DIPSTICK	1		
19	.....	DIPSTICK TUBE	1	(ORDER AM877804)	
20	CH14795	PIN	4	(A)	
21	M804493	BOLT	2	(INCLUDES WASHER)	
22	19M8008	CAP SCREW	10	M8 X 35 (HS, HEAD MARKED 10.9)	
	12M7065	LOCK WASHER	10	8.100 MM	
23	M804971	COVER	1		
24	M804480	GASKET	1		
25	CH14669	SNAP RING	1		
26	CH10921	SEAL	1		
27	CH11414	PLUG	2		
28	CH10570	PACKING	2		
29	19M7402	CAP SCREW	4	M10 X 25 (HS, HEAD MARKED 10.9)	
	12M7066	LOCK WASHER	4	10.200 MM	
30	M804483	COVER	1		
31	CH14635	PACKING	1		
32	19M6332	CAP SCREW	4	M14 X 35 (HS, HEAD MARKED 10.9)	
	12M7068	LOCK WASHER	4	14.200 MM	
33	M804490	PIN	2	LOWER LINK	
34	M804481	COVER	1	-130023 (870 SIMPLE FRONT DRIVE)	
	M806677	COVER	1	130024- (870 SIMPLE)	
	M804481	COVER	1	-130791 (870 DELUXE)	
	M806677	COVER	1	130792- (870 DELUXE)	
	M804481	COVER	1	-130018 (970 SIMPLE)	
	M806677	COVER	1	130019- (970 SIMPLE)	
	M804481	COVER	1	-130580 (970 DELUXE)	
	M806677	COVER	1	130581- (970 DELUXE)	
	M804481	COVER	1	-130541 (1070)	
	M806677	COVER	1	130542- (1070)	

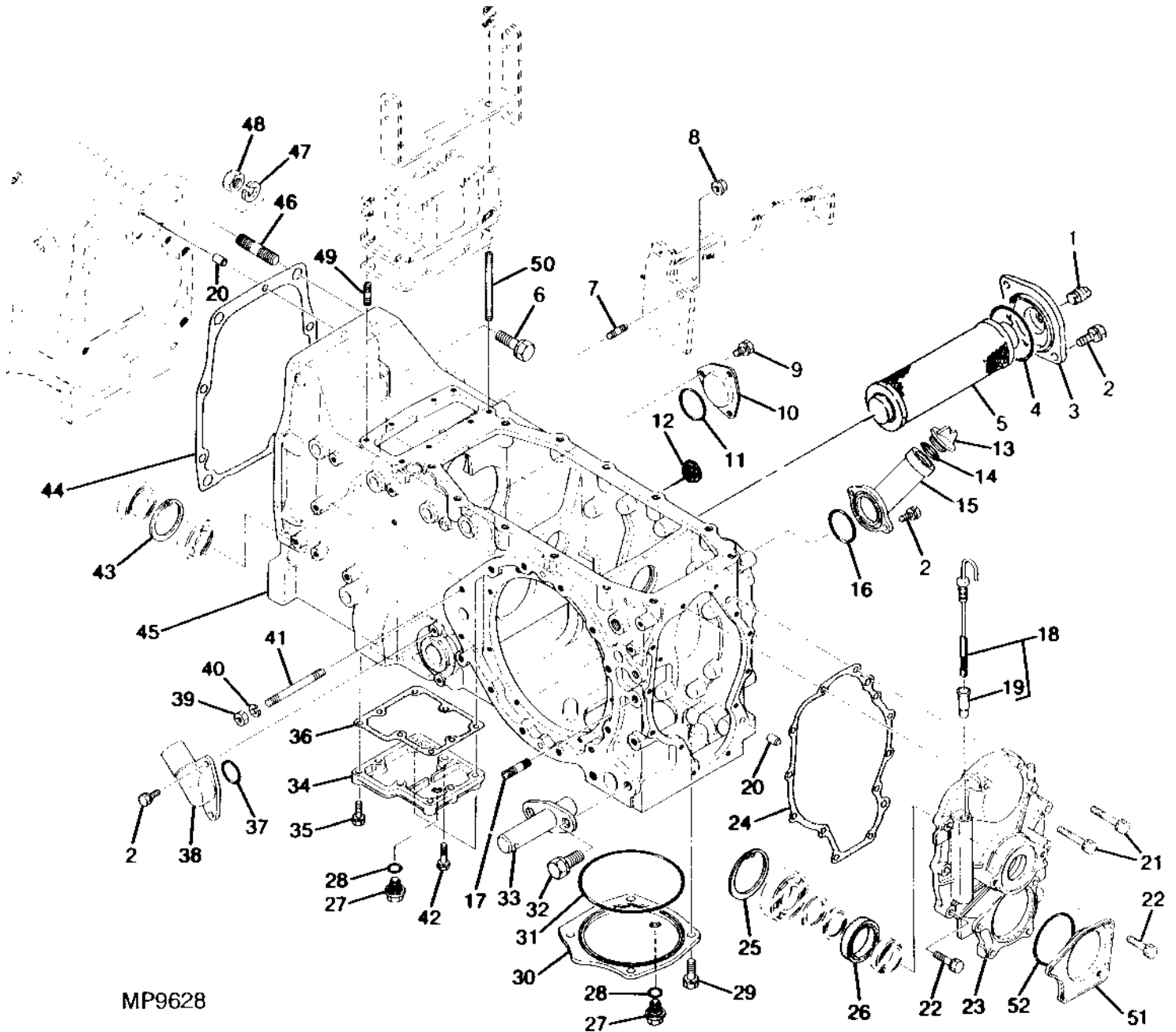
# 2B10

1070 CREEPER VERSION

MP9628

-UN-02JAN94

## TRANSMISSION HOUSING



# 2B11

1070 CREEPER VERSION

## TRANSMISSION HOUSING (CONTINUED)

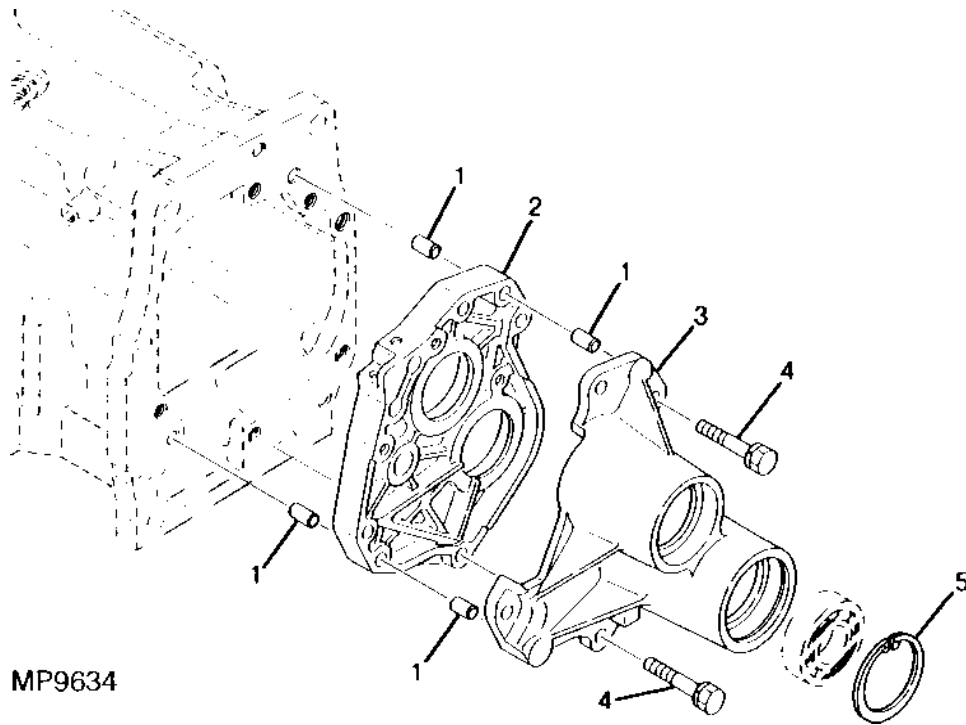
KEY	PART NO.	PART NAME	QTY	SERIAL NO.	REMARKS
35	19M7513	CAP SCREW	8	XXXXXX-	M8 X 30 (HS, HEAD MARKED 10.9)
	12M7065	LOCK WASHER	8	XXXXXX-	8.100 MM
	19M7407	CAP SCREW	5	-XXXXXX	(A) M8 X 25
	12M7065	LOCK WASHER	5	-XXXXXX	(A) 8.100 MM
36	M804482	GASKET	1	-130023	(870 SIMPLE)
	M806678	GASKET	1	130024-	(A) (870 SIMPLE)
	M804482	GASKET	1	-130791	(870 DELUXE)
	M806678	GASKET	1	130792-	(A) (870 DELUXE)
	M804482	GASKET	1	-130018	(970 SIMPLE)
	M806678	GASKET	1	130019-	(A) (970 SIMPLE)
	M804482	GASKET	1	-130580	(970 DELUXE)
	M806678	GASKET	1	130581-	(A) (970 DELUXE)
	M804482	GASKET	1	-130541	(1070)
	M806678	GASKET	1	130542-	(A) (1070)
37	M804492	O-RING	1		
38	M804488	FLANGE	1		
39	14M7274	NUT	2		M10
40	12M7066	LOCK WASHER	2		10.200 MM
41	M804476	STUD	2		(A)
42	19M7513	CAP SCREW	4		(A) M8 X 30 (HS, HEAD MARKED 10.9)
	12M7065	LOCK WASHER	4		(A) 8.100 MM
43	CH15010	RING	1		
44	M804479	GASKET	1		
45	AM877481	HOUSING	1	-XXXXXX	(NO LONGER AVAILABLE) (ORDER AM878756)
	.....	HOUSING	1	XXXXXX-	(ORDER AM878756)
46	M805078	STUD	4		(A)
47	12M7069	LOCK WASHER	4		16.200 MM
48	14M7276	NUT	4		M16
49	M800316	STUD	1		
50	CH18385	STUD	1		
51	M804484	COVER	1		REAR
52	CH11572	PACKING	1		
..	AM878756	KIT	1		TRANSMISSION HOUSING (INCLUDES PARTS MARKED (A)) (SUB FOR AM877481)

# 2B12

1070 CREEPER VERSION

MP9634 -UN-02JAN94

## TRANSMISSION CENTER PLATE AND RETAINER



KEY	PART NO.	PART NAME	QTY	SERIAL NO.	REMARKS
1	44M7072	PIN	4		
2	M806378	PLATE	1		
3	M806379	RETAINER	1		
4	M806183	BOLT	4		
5	M806380	SNAP RING	1		

---

MEMORANDA

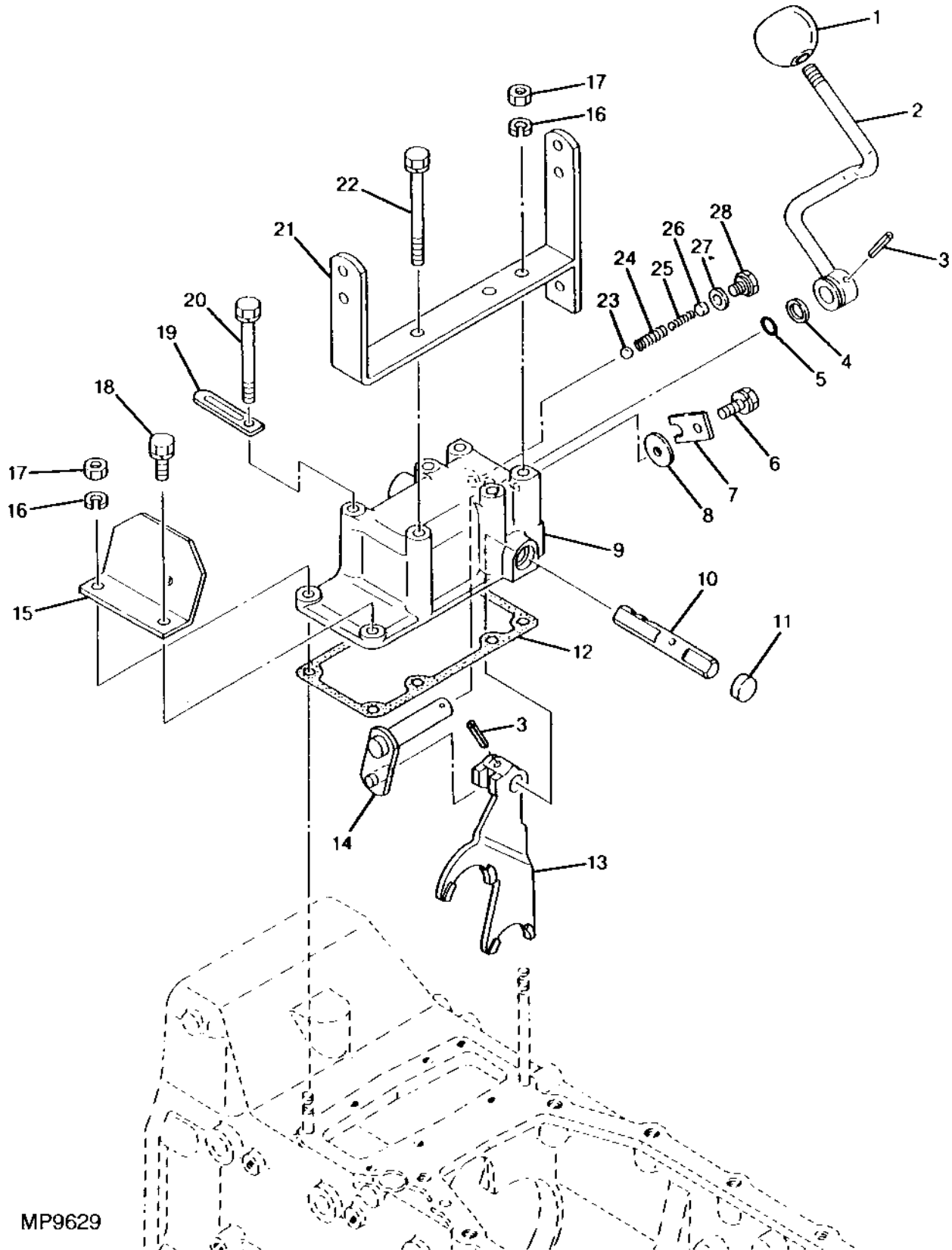
# 2B13

1070 CREEPER VERSION

MP9629

-UN-02JAN94

## CREEPER SHIFT



MP9629



# 2B14

1070 CREEPER VERSION

## CREEPER SHIFT (CONTINUED)

KEY	PART NO.	PART NAME	QTY	SERIAL NO.	REMARKS
1	M806359	KNOB	1		
2	AM878473	LEVER	1		
3	CH12304	PIN	2		
4	M806369	WASHER	1		
5	CH17159	PACKING	1		
6	19M7881	SCREW	1		M8 X 20 (HS, HEAD MARKED 10.9)
	12M7065	LOCK WASHER	1		8.100 MM
7	CH15663	STRAP	1		
8	24M7024	WASHER	1		9 X 28 X 3 MM
9	M806364	COVER	1		
10	M806365	SHAFT	1		
11	CH18638	CAP	1		
12	M806370	GASKET	1		
13	M806371	FORK	1		
14	AM878472	ARM	1		
15	AM878475	SUPPORT	1		HYDRAULIC LINE
16	12M7065	LOCK WASHER	2		8.100 MM
17	14M7273	NUT	2		M8
18	19M7407	CAP SCREW	1		M8 X 25 (HS, HEAD MARKED 10.9)
	12M7065	LOCK WASHER	1		8.100 MM
19	CH13189	CLAMP	1		
20	19M8504	CAP SCREW	3		M8 X 80 (HS, HEAD MARKED 10.9)
	12M7065	LOCK WASHER	3		8.100 MM
21	AM878474	SUPPORT	1		
22	CH13746	BOLT	2		
23	R26552	BALL	1		
24	M806377	COMPRESSION SPRING	1		
25	M806362	SPRING	1		
26	M806363	PIN	1		
27	CH10555	PACKING	1		
28	CH10561	PLUG	1		

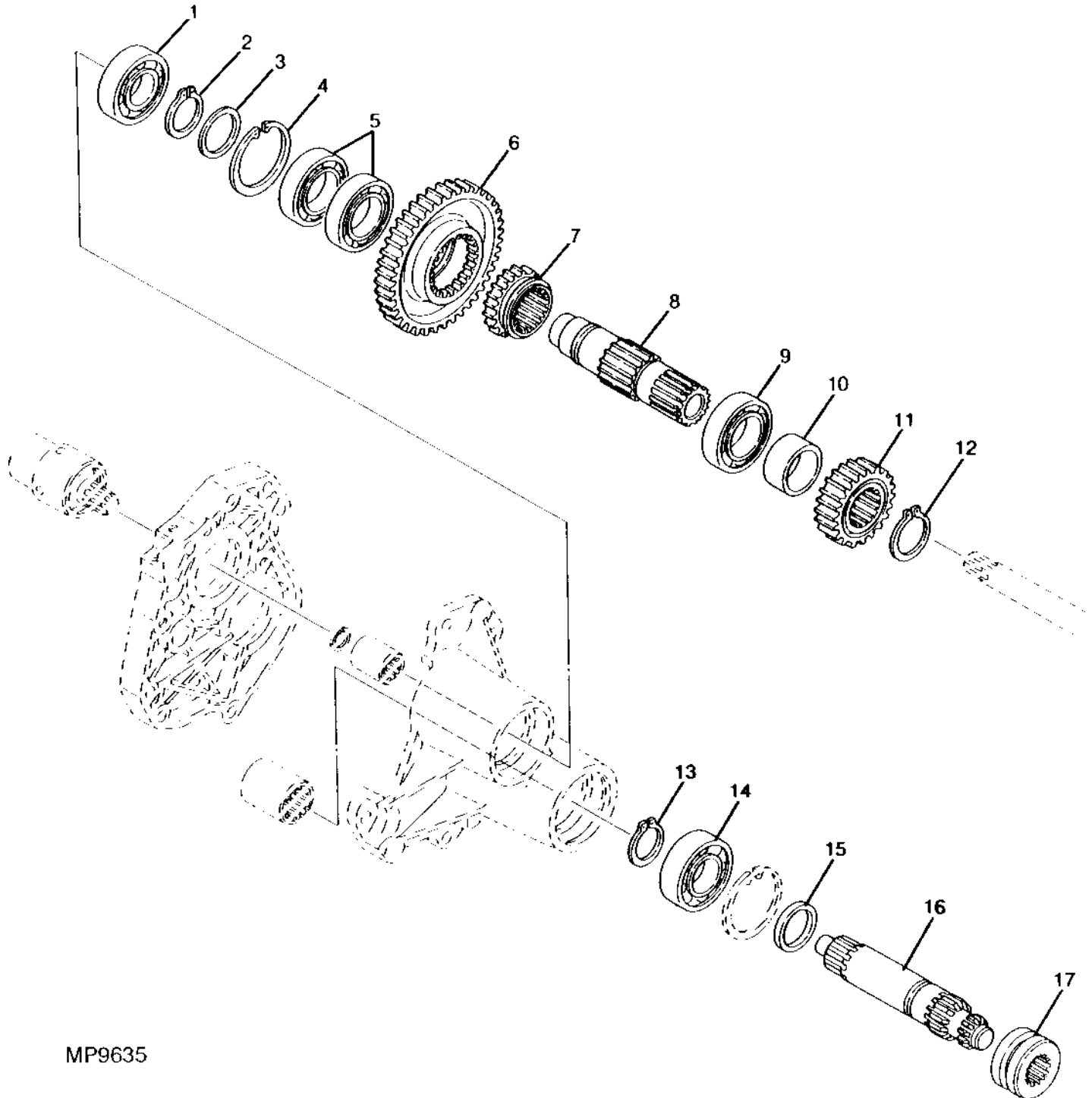
# 2B15

1070 CREEPER VERSION

MP9635

-UN-02JAN94

CREEP GEAR



MP9635

# 2B16

1070 CREEPER VERSION

## CREEP GEAR (CONTINUED)

KEY	PART NO.	PART NAME	QTY	SERIAL NO.	REMARKS
1	M806398	BALL BEARING	1		
2	40M7046	SNAP RING	1		
3	CH16401	SPACER	1		
4	CH15010	RING	1		
5	CH13506	BALL BEARING	2		
6	M806391	GEAR	1	59T	
7	M806395	GEAR	1		
8	M806393	SHAFT	1		
9	M801954	BALL BEARING	1		
10	M806397	BUSHING	1		
11	M806396	GEAR	1	24T	
12	CH13489	SNAP RING	1		
13	M806389	SNAP RING	1		
14	M806399	BEARING	1		
15	M806392	WASHER	1		
16	M806390	PINION	1		
17	M806394	SHIFT COLLAR	1		

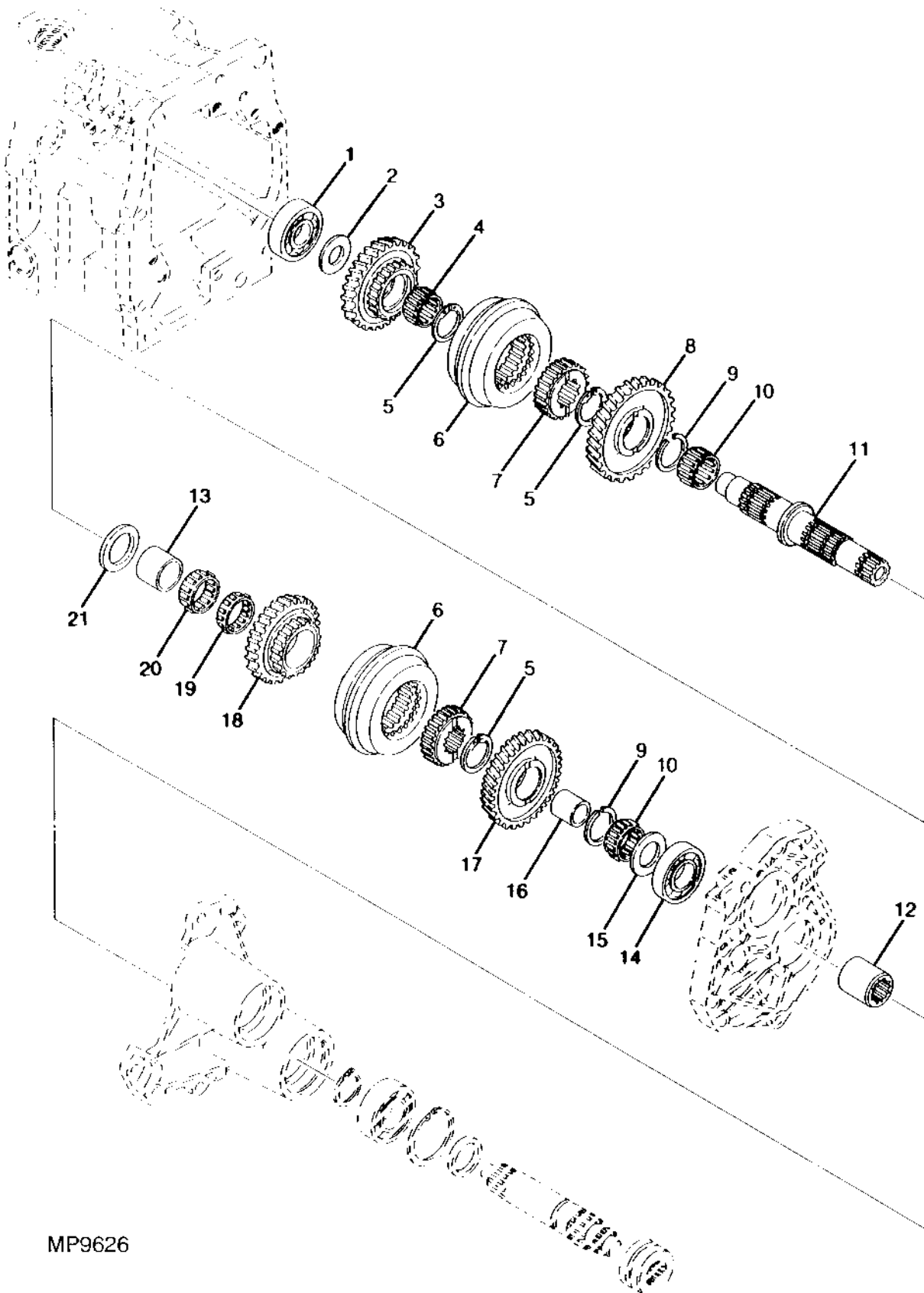
# 2B17

1070 CREEPER VERSION

MP9626

-UN-02JAN94

## DRIVEN SHAFT



MP9626

# 2B18

1070 CREEPER VERSION

## DRIVEN SHAFT (CONTINUED)

KEY	PART NO.	PART NAME	QTY	SERIAL NO.	REMARKS
1	CH11554	BALL BEARING	1		
2	M804509	WASHER	1		
3	M804974	GEAR	1	46T	
4	M803053	NEEDLE BEARING	1		
5	M804511	RING	3		
6	AM877483	SYNCHRONIZER	2		
7	M804972	BUSHING	2		SPLINE
8	M804976	GEAR	1		53T
9	M804513	RING	2		
10	CH16389	BEARING	2		NEEDLE
11	M806383	SHAFT	1		DRIVEN
12	M800830	BUSHING	1		
13	M806382	BUSHING	1		
14	CH14887	BALL BEARING	1		
15	M801135	WASHER	1		
16	M804512	BEARING	1		
17	M804975	GEAR	1	49T	
18	M806384	GEAR	1	41T	
19	M806385	NEEDLE	1		
20	M806386	NEEDLE	1		
21	CH17480	WASHER	1		

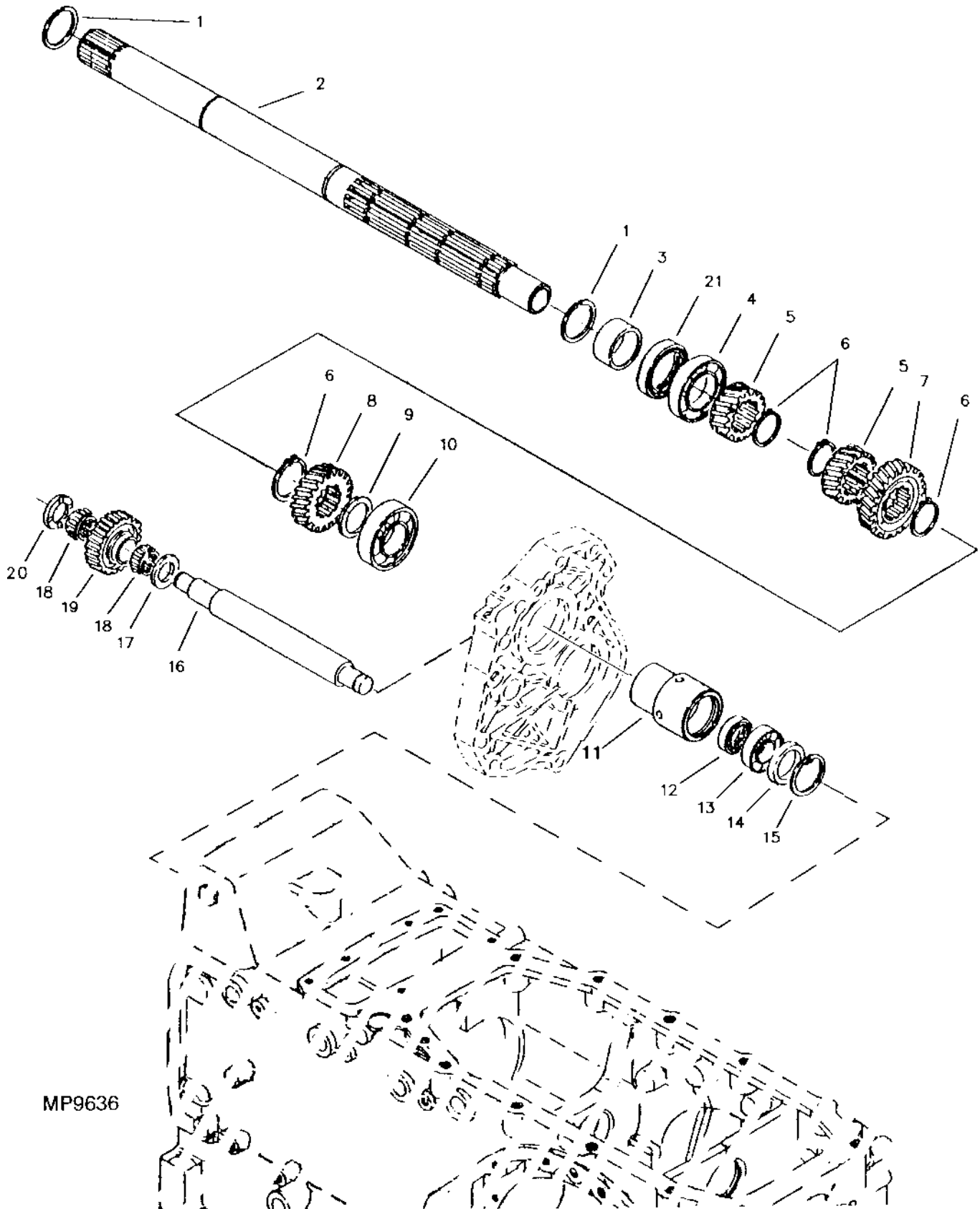
# 2B19

1070 CREEPER VERSION

MP9636

-UN-02JAN94

## MAIN SHAFT



MP9636

# 2B20

1070 CREEPER VERSION

## MAIN SHAFT (CONTINUED)

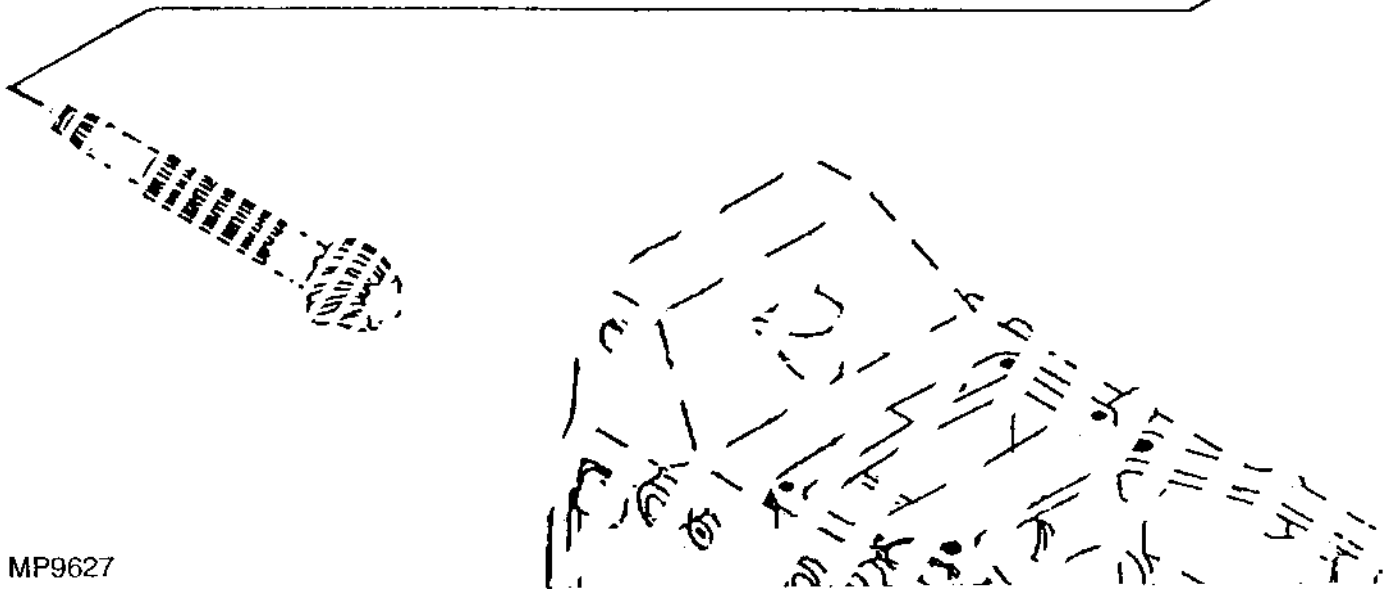
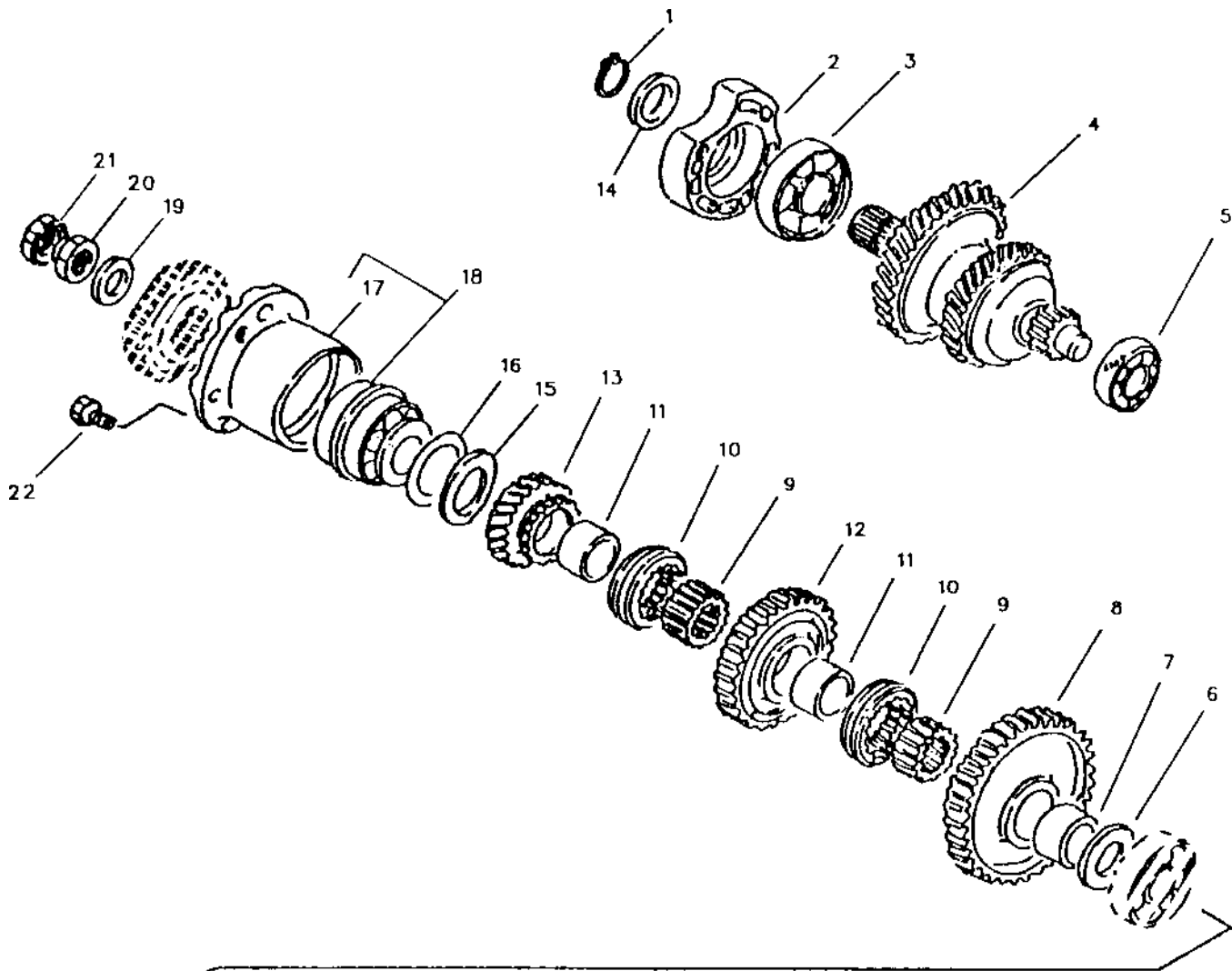
KEY	PART NO.	PART NAME	QTY	SERIAL NO.	REMARKS
1	CH17113	RING	2		
2	M804497	SHAFT	1		TOP
3	CH13092	LOCKING COLLAR	1		CLUTCH SHAFT
4	CH13506	BALL BEARING	1		
5	M804498	GEAR	2		21T
6	CH13489	SNAP RING	4		
7	M806381	GEAR	1		33T
8	M804499	GEAR	1		27T
9	M804503	WASHER	1		
10	CH14887	BALL BEARING	1		
11	M804501	CASE	1		OIL SEAL
12	CH13097	SEAL	1		
13	CH10564	BEARING	1		
14	M804502	WASHER	1		
15	40M7225	SNAP RING	1		
16	M804538	SHAFT	1		IDLE
17	M804536	WASHER	1		
18	M804535	NEEDLE BEARING	2		
19	M804537	GEAR	1		IDLE
20	M804539	BUSHING	1		
21	M805253	SEAL	1		

# 2B21

1070 CREEPER VERSION

MP9627 -UN-02JAN94

## BOTTOM SHAFT



MP9627



# 2B22

1070 CREEPER VERSION

## BOTTOM SHAFT (CONTINUED)

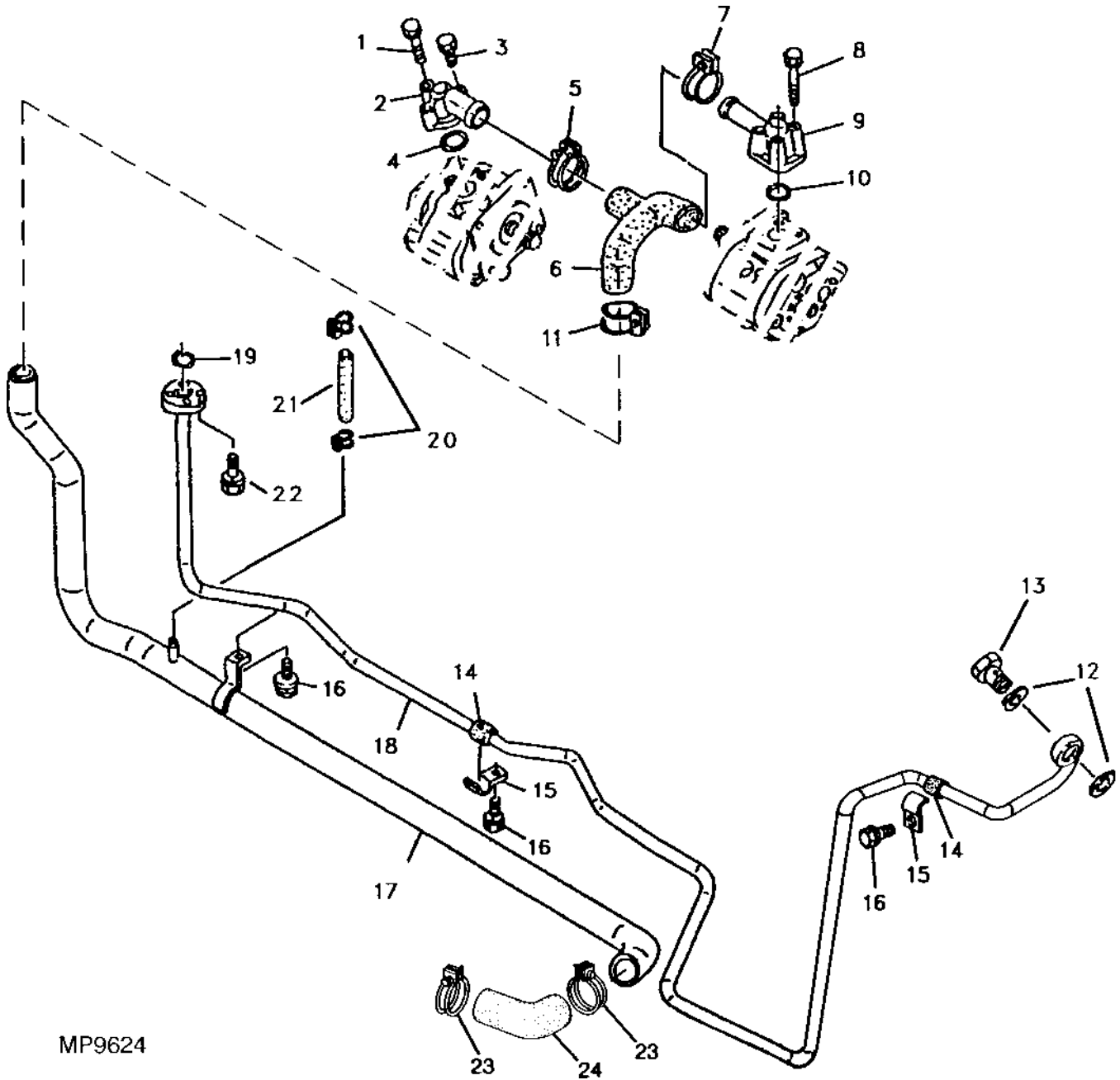
KEY	PART NO.	PART NAME	QTY	SERIAL NO.	REMARKS
1	CH13488	SNAP RING	1		
2	M804533	BUSHING	1		INNER
3	CH15035	BALL BEARING	1		CONNECTING
4	M806388	GEAR	1		REDUCTION
5	CH13511	BALL BEARING	1		PINION
6	CH17480	WASHER	1		
7	M804532	BUSHING	1		SEAL
8	M804527	GEAR	1		53T
9	M804510	BUSHING	2		
10	M803050	SHIFTER	2		
11	M804531	BUSHING	2	-140765	
	M806822	BUSHING	2	140766-	
12	M804526	GEAR	1	-140765	40 TEETH
	AM878851	GEAR	1	140766-	40 TEETH (INCLUDES M806822)
13	M806387	GEAR	1		24 TEETH
	AM878852	GEAR	1	140766-	24 TEETH (INCLUDES M806822)
14	M806167	WASHER	1		
15	M801135	WASHER	1		
16	M804519	SHIM	2		
17	M804521	RETAINER	1		
18	AM878231	BEARING KIT	1		BOTTOM SHAFT BEARING CASE
19	M803049	WASHER	1		
20	M803047	NUT	1		BEARING
21	M803048	NUT	1		BEARING
22	19M7407	CAP SCREW	5		M8 X 25 (HS, HEAD MARKED 10.9)
	12M7065	LOCK WASHER	5		8.100 MM

# 2B23

1070 CREEPER VERSION

MP9624 -UN-02JAN94

## HYDRAULIC PUMP PIPES AND HOSES (POWER STEERING)



MP9624

# 2B24

1070 CREEPER VERSION

## HYDRAULIC PUMP PIPES AND HOSES (POWER STEERING) (CONTINUED)

KEY	PART NO.	PART NAME	QTY	SERIAL NO.	REMARKS
1	19M7374	CAP SCREW	2	M6 X 40	
	12M7006	LOCK WASHER	2	6.100 MM	
2	M802952	FLANGE	1		
3	19M7077	CAP SCREW	1	M6 X 20	
	12M7006	LOCK WASHER	1	6.100 MM	
4	CH11562	PACKING	1		
5	AR21839	CLAMP	1		
6	M804849	HOSE	1	SUCTION	
7	M803280	CLAMP	1		
8	M800008	BOLT	2	M6 X 40	
	M800009	BOLT	2	M6 X 50	
9	M804841	FLANGE	1	PIPE	
10	CH14582	PACKING	1		
11	M804348	CLAMP	1		
12	CH11548	PACKING	2		
13	AM877562	BOLT	1		
14	M805100	CUSHION	2	(SUB FOR CH13865, THIS APPLICATION)	
15	M804979	CLAMP	2		
16	19M7865	SCREW	3	M8 X 16 (HS, HEAD MARKED 10.9)	
17	AM877563	LINE	1	SUCTION	
18	AM878471	OIL LINE	1	PRESSURE	
19	U46166	O-RING	1		
20	AR21836	CLAMP	2		
21	M804256	HOSE	1		
22	M87869	BOLT	4		
23	AR21840	CLAMP	2		
24	M805267	HOSE	1		

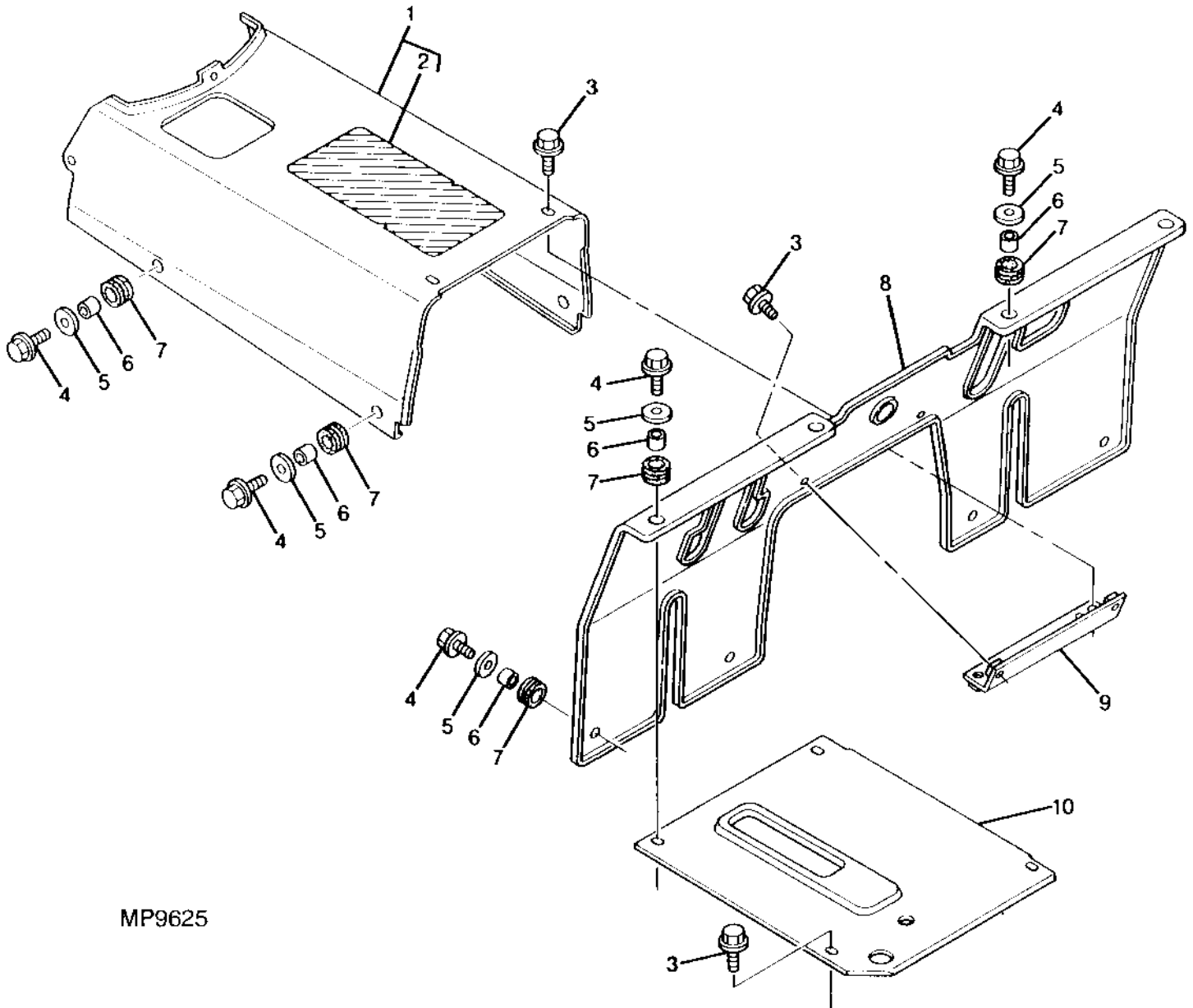
# 2C1

1070 CREEPER VERSION

MP9625

-UN-02JAN94

## CLUTCH AND ROCKSHAFT COVERS



MP9625

## CLUTCH AND ROCKSHAFT COVERS (CONTINUED)

KEY	PART NO.	PART NAME	QTY	SERIAL NO.	REMARKS
1	AM877072	COVER	1		CLUTCH KIT
2	M803535	LABEL	1		CAUTION
3	19M7774	SCREW	6		M6 X 12 (HS, HEAD MARKED 10.9)
4	M87820	BOLT	12		
5	CH14140	WASHER	12		
6	M803502	BUSHING	12		
7	M803530	GROMMET	12		
8	M806360	COVER	1		ROCKSHAFT
9	AM877074	SUPPORT	1		
10	M803957	COVER	1		DUST LH

---

MEMORANDA

## NUMERICAL INDEX

PART NO.	GRID	KEY	PAGE	PART NO.	GRID	KEY	PAGE	PART NO.	GRID	KEY	PAGE
AD2062R	1D19	3	40 - 13	AM117916	1J6	..	70 - 37	AM876409	1C4	13	20 - 35
AD2062R	2A20	6	90 - 3	AM117917	1J6	2	70 - 37	AM876416	1C22	11	30 - 13
AF3892R	1D21	1	40 - 15	AM119469	1I22	..	70 - 29	AM876416	1C24	11	30 - 15
AH20849	1D2	18	30 - 17	AM30346	1J23	2	80 - 7	AM876430	1B12	3	20 - 19
AH20849	1D4	17	30 - 19	AM30795	1J23	2	80 - 7	AM876430	1B12	4	20 - 19
AM100201	1J6	6	70 - 37	AM52175	1D21	5	40 - 15	AM876430	1B12	5	20 - 19
AM100700	1I22	4	70 - 29	AM875069	1C20	13	30 - 11	AM876431	1B6	14	20 - 13
AM100701	1I22	3	70 - 29	AM875151	1G22	43	55 - 3	AM876432	1C18	40	30 - 9
AM100752	1C20	8	30 - 11	AM875151	1G22	44	55 - 3	AM876658	1H2	2	60 - 3
AM100777	1D21	6	40 - 15	AM875306	1B20	20	20 - 27	AM876660	1H2	1	60 - 3
AM100778	1D21	3	40 - 15	AM875306	1B22	18A	20 - 29	AM876670	1H10	1	60 - 11
AM100779	1D21	4	40 - 15	AM875315	1B12	8	20 - 19	AM876670	1H10	7	60 - 11
AM100800	1B8	25	20 - 15	AM875315	1B12	9	20 - 19	AM876671	1H10	1	60 - 11
AM100800	1B10	23	20 - 17	AM875330	1C20	12	30 - 11	AM876671	1H10	7	60 - 11
AM101390	1D22	4	40 - 16	AM875371	1B8	10	20 - 15	AM876675	1H2	11	60 - 3
AM101406	1D11	4	40 - 5	AM875371	1B10	12	20 - 17	AM876676	1H2	18	60 - 3
AM102018	1K12	11	80 - 21	AM875373	1B8	14	20 - 15	AM876677	1H2	13	60 - 3
AM102018	1K14	30	80 - 23	AM875373	1B10	18	20 - 17	AM876679	1H2	8	60 - 3
AM105465	1I12	10	70 - 19	AM875374	1B8	13	20 - 15	AM876679	1H4	1	60 - 5
AM105466	1I12	13	70 - 19	AM875374	1B10	30	20 - 17	AM876680	1H4	7	60 - 5
AM105466	1I22	2	70 - 29	AM875375	1B20	3	20 - 27	AM876681	1H4	6	60 - 5
AM105466	1J2	35	70 - 33	AM875375	1B22	3	20 - 29	AM876682	1H2	7	60 - 3
AM105467	1I12	12	70 - 19	AM875377	1B24	25	20 - 31	AM876687	1I12	2	70 - 19
AM105467	1I22	1	70 - 29	AM875378	1B24	28	20 - 31	AM876687	1I14	2	70 - 21
AM106200	1I22	5	70 - 29	AM875382	1B4	10	20 - 11	AM876687	1J2	13	70 - 33
AM106962	1J23	4	80 - 7	AM875383	1B2	4	20 - 9	AM876753	1I16	10	70 - 23
AM106967	1J23	1	80 - 7	AM875383	1B4	4	20 - 11	AM876765	1H22	16	70 - 5
AM107223	1D11	..	40 - 5	AM875386	1B12	3	20 - 19	AM876786	1D9	13	40 - 3
AM107224	1K23	..	80 - 32	AM875386	1B12	4	20 - 19	AM876786	1D9	16	40 - 3
AM107280	1K24	2	80 - 33	AM875386	1B12	5	20 - 19	AM876786	1D9	17	40 - 3
AM107287	1K24	2	80 - 33	AM875389	1B16	2	20 - 23	AM876786	1D9	18	40 - 3
AM108027	1K23	..	80 - 32	AM875390	1B16	1	20 - 23	AM876787	1D9	19	40 - 3
AM108244	1D21	16	40 - 15	AM875391	1B16	8	20 - 23	AM876787	1D9	20	40 - 3
AM108271	1I12	..	70 - 19	AM875392	1B16	6	20 - 23	AM876789	1D19	18	40 - 13
AM108399	1I12	5	70 - 19	AM875393	1B16	2	20 - 23	AM876790	1D9	27	40 - 3
AM108400	1I12	5	70 - 19	AM875394	1B16	1	20 - 23	AM876793	1K8	35	80 - 17
AM108665	2A20	46	90 - 3	AM875395	1B16	6	20 - 23	AM876800	1K8	1	80 - 17
AM108799	1J23	1	80 - 7	AM875396	1C12	23	30 - 3	AM876801	1K8	13	80 - 17
AM108945	1K22	9	80 - 31	AM875411	1C20	11	30 - 11	AM876804	1K8	26	80 - 17
AM116620	2B3	10	90 - 10	AM875413	1C20	8	30 - 11	AM876809	1K18	18	80 - 27
AM117015	1I24	14	70 - 31	AM875414	1C20	2	30 - 11	AM876812	1K8	33	80 - 17
AM117015	1J2	8	70 - 33	AM875534	1B2	10	20 - 9	AM876817	2A24	1	90 - 7
AM117015	1J6	7	70 - 37	AM875540	1C12	23	30 - 3	AM876817	2B2	1	90 - 9
AM117015	1J6	9	70 - 37	AM875578	1C24	9	30 - 15	AM876822	1K18	1	80 - 27
AM117015	1J6	15	70 - 37	AM875578	1C24	..	30 - 15	AM876850	1I10	9	70 - 17
AM117015	1J6	17	70 - 37	AM875580	1B24	12	20 - 31	AM876850	1J10	7	70 - 41
AM117317	1J6	10	70 - 37	AM875882	1D4	10	30 - 19	AM876850	1J12	3	70 - 43
AM117325	1J6	14	70 - 37	AM876189	1G6	16	50 - 53	AM876850	1J14	1	70 - 45
AM117327	1J6	13	70 - 37	AM876242	1C20	1	30 - 11	AM876873	1I24	14	70 - 31
AM117366	1J6	16	70 - 37	AM876327	1B24	..	20 - 31	AM876873	1J4	14	70 - 35
AM117369	1J6	4	70 - 37	AM876328	1B24	35	20 - 31	AM876873	1J4	31	70 - 35
AM117369	1J6	5	70 - 37	AM876330	1B2	27	20 - 9	AM876877	1I24	18	70 - 31
AM117369	1J6	12	70 - 37	AM876330	1B2	..	20 - 9	AM876888	1I24	24	70 - 31
AM117369	1J6	..	70 - 37	AM876331	1B2	..	20 - 9	AM876889	1I24	16	70 - 31
AM117498	1I24	..	70 - 31	AM876334	1D2	9	30 - 17	AM876890	1I24	9	70 - 31
AM117498	1J2	8	70 - 33	AM876334	1D2	12	30 - 17	AM876891	1I24	4	70 - 31
AM117842	1I24	14	70 - 31	AM876335	1B14	1	20 - 21	AM876901	1G22	24	55 - 3
AM117842	1J4	11	70 - 35	AM876335	1B14	3	20 - 21	AM876906	1G22	5	55 - 3
AM117842	1J4	13	70 - 35	AM876339	1B12	15	20 - 19	AM876908	1G22	23	55 - 3
AM117842	1J4	31	70 - 35	AM876339	1B12	17	20 - 19	AM876912	1G22	20	55 - 3
AM117842	1J6	7	70 - 37	AM876340	1B20	17	20 - 27	AM876913	1G22	7	55 - 3
AM117842	1J6	9	70 - 37	AM876341	1B6	15	20 - 13	AM876921	1J4	12	70 - 35
AM117842	1J6	15	70 - 37	AM876345	1C20	1	30 - 11	AM876922	1J4	3	70 - 35
AM117842	1J6	17	70 - 37	AM876346	1C20	2	30 - 11	AM876923	1J4	15	70 - 35
AM117916	1J6	3	70 - 37	AM876347	1C20	3	30 - 11	AM876924	1J4	2	70 - 35
AM117916	1J6	4	70 - 37	AM876348	1C20	4	30 - 11	AM876924	1J6	2	70 - 37
AM117916	1J6	12	70 - 37	AM876352	1C8	..	20 - 39	AM876925	1J4	10	70 - 35

**NUMERICAL INDEX - CONTINUED**

PART NO.	GRID	KEY	PAGE	PART NO.	GRID	KEY	PAGE	PART NO.	GRID	KEY	PAGE
AM876926	1J4	9	70-35	AM877110	1J25	3	80-9	AM877268	1B14	18	20-21
AM876927	1J4	5	70-35	AM877112	1J25	1	80-9	AM877269	1B14	9	20-21
AM876929	1J4	20	70-35	AM877114	1J25	1	80-9	AM877269	1B14	11	20-21
AM876930	1J4	18	70-35	AM877116	1K2	12	80-11	AM877270	1B14	26	20-21
AM876931	1J4	19	70-35	AM877118	1K2	12	80-11	AM877270	1B14	28	20-21
AM876932	1J4	22	70-35	AM877120	1K4	4	80-13	AM877272	1B16	2	20-23
AM877042	1K6	4	80-15	AM877122	1K4	6	80-13	AM877273	1B16	1	20-23
AM877045	2A24	16	90-7	AM877122	1K4	7	80-13	AM877274	1B18	..	20-25
AM877045	2B2	16	90-9	AM877122	1K4	8	80-13	AM877275	1B18	3	20-25
AM877050	1D11	5	40-5	AM877122	1K4	9	80-13	AM877275	1B18	4	20-25
AM877051	1D11	6	40-5	AM877123	1K2	18	80-11	AM877276	1B18	10	20-25
AM877053	1K14	29	80-23	AM877124	1K2	16	80-11	AM877276	1B18	12	20-25
AM877054	1K14	10	80-23	AM877125	1G9	10	50-56	AM877277	1B18	15	20-25
AM877055	1D11	8	40-5	AM877125	1G13	10	50-61	AM877277	1B18	16	20-25
AM877055	1K14	29	80-23	AM877125	1J25	14	80-9	AM877278	1B22	17	20-29
AM877056	1K14	9	80-23	AM877130	1G9	3	50-56	AM877279	1C4	..	20-35
AM877057	1K8	21	80-17	AM877130	1G13	17	50-61	AM877280	1C4	..	20-35
AM877058	1K14	27	80-23	AM877130	1J25	14	80-9	AM877282	1C20	29	30-11
AM877059	1K14	28	80-23	AM877134	1G19	12	50-67	AM877284	1D13	10	40-7
AM877060	1K14	12	80-23	AM877135	1G17	25	50-65	AM877284	1D13	54	40-7
AM877061	1K14	14	80-23	AM877135	1G17	27	50-65	AM877285	1D13	54	40-7
AM877062	1K12	6	80-21	AM877136	1G2	6	50-49	AM877286	1D13	13	40-7
AM877063	2A24	23	90-7	AM877136	1G4	7	50-51	AM877287	1A20	1	20-2
AM877063	2A24	24	90-7	AM877139	1G17	43	50-65	AM877288	1B8	6	20-15
AM877063	2A24	40	90-7	AM877140	1G19	6	50-67	AM877288	1B8	12	20-15
AM877063	2B2	24	90-9	AM877141	1G19	3	50-67	AM877288	1B8	..	20-15
AM877063	2B2	40	90-9	AM877142	1G15	24	50-63	AM877289	1A21	1	20-3
AM877065	1K12	7	80-21	AM877143	1G6	9	50-53	AM877290	1B10	6	20-17
AM877066	1K12	16	80-21	AM877144	1G4	11	50-51	AM877290	1B10	13	20-17
AM877067	1K18	19	80-27	AM877145	1G2	16	50-49	AM877290	1B10	..	20-17
AM877068	1K18	3	80-27	AM877146	1G2	12	50-49	AM877291	1A21	1	20-3
AM877069	1K18	10	80-27	AM877146	1G4	13	50-51	AM877292	1B10	6	20-17
AM877070	1K18	11	80-27	AM877153	1J21	1	80-5	AM877292	1B10	13	20-17
AM877071	1K18	11	80-27	AM877154	1J21	1	80-5	AM877292	1B10	..	20-17
AM877072	1K16	1	80-25	AM877159	1H6	1	60-7	AM877293	1B16	2	20-23
AM877072	2C2	1	92-23	AM877162	1H12	14	60-13	AM877294	1B16	1	20-23
AM877074	1K16	9	80-25	AM877165	1H12	14	60-13	AM877295	1C8	..	20-39
AM877074	2C2	9	92-23	AM877171	1H10	24	60-11	AM877297	1C6	..	20-37
AM877075	1K6	12	80-15	AM877173	1H8	1	60-9	AM877298	1C20	36	30-11
AM877076	1K6	1	80-15	AM877173	1H8	7	60-9	AM877300	1C20	28	30-11
AM877077	1K6	12	80-15	AM877174	1H8	7	60-9	AM877302	1C20	36	30-11
AM877078	1K6	1	80-15	AM877176	1H10	22	60-11	AM877305	1C20	36	30-11
AM877079	1K6	11	80-15	AM877178	1H2	8	60-3	AM877307	2A22	1	90-5
AM877080	1K6	6	80-15	AM877178	1H4	1	60-5	AM877307	2A22	..	90-5
AM877081	1K6	11	80-15	AM877179	1I14	5	70-21	AM877309	2A22	5	90-5
AM877082	1K6	6	80-15	AM877180	1I14	14	70-21	AM877310	2A22	3	90-5
AM877084	1K6	3	80-15	AM877181	1I14	12	70-21	AM877475	1E5	12	50-3
AM877085	1K6	10	80-15	AM877182	1I14	8	70-21	AM877476	1E11	25	50-7
AM877086	1K6	3	80-15	AM877183	1I14	3	70-21	AM877477	1E11	20	50-7
AM877090	2A24	39	90-7	AM877184	1I14	14	70-21	AM877478	1E9	1	50-5
AM877090	2B2	39	90-9	AM877185	1I14	12	70-21	AM877479	1E9	13	50-5
AM877091	1F22	12	50-45	AM877190	1D17	17	40-11	AM877481	1E17	..	50-15
AM877093	1F22	10	50-45	AM877190	1D17	31	40-11	AM877481	2B11	45	92-7
AM877094	1C14	14	30-5	AM877190	1D17	33	40-11	AM877481	2B11	..	92-7
AM877095	1C14	14	30-5	AM877192	1D17	23	40-11	AM877482	1E17	51	50-15
AM877096	1C14	1	30-5	AM877193	1D19	29	40-13	AM877483	1E23	6	50-21
AM877097	1C14	1	30-5	AM877194	1D20	6	40-14	AM877483	2B18	6	92-15
AM877098	1C14	2	30-5	AM877195	1D19	38	40-13	AM877486	1E13	34	50-9
AM877099	1C14	2	30-5	AM877196	1D9	25	40-3	AM877487	1E21	13	50-19
AM877100	1K8	7	80-17	AM877263	1B4	20	20-11	AM877488	1E21	18	50-19
AM877101	1K8	6	80-17	AM877263	1B4	..	20-11	AM877489	1E21	9	50-19
AM877102	1K4	11	80-13	AM877264	1B4	..	20-11	AM877490	1E21	4	50-19
AM877104	1K4	11	80-13	AM877265	1D2	29	30-17	AM877491	1E21	17	50-19
AM877105	1K4	1	80-13	AM877265	1D2	34	30-17	AM877492	1E21	27	50-19
AM877106	1K4	1	80-13	AM877266	1D4	27	30-19	AM877493	1E21	8	50-19
AM877107	1J25	1	80-9	AM877266	1D4	32	30-19	AM877494	1E21	35	50-19
AM877109	1J25	3	80-9	AM877268	1B14	16	20-21	AM877495	1E21	22	50-19



**NUMERICAL INDEX - CONTINUED**

PART NO.	GRID	KEY	PAGE	PART NO.	GRID	KEY	PAGE	PART NO.	GRID	KEY	PAGE
AM877496	1E21	41	50 - 19	AM877573	1J12	28	70 - 43	AM877751	1I2	5	70 - 9
AM877497	1E19	4	50 - 17	AM877574	1J12	22	70 - 43	AM877751	1I2	9	70 - 9
AM877498	1E19	13	50 - 17	AM877575	1J12	25	70 - 43	AM877751	1I2	34	70 - 9
AM877499	1E19	20	50 - 17	AM877576	1J10	8	70 - 41	AM877751	1I2	36	70 - 9
AM877500	1F24	17	50 - 47	AM877577	1J12	28	70 - 43	AM877751	1I2	..	70 - 9
AM877501	1F24	20	50 - 47	AM877578	1J10	3	70 - 41	AM877753	1I2	27	70 - 9
AM877502	1F8	2	50 - 31	AM877579	1J10	6	70 - 41	AM877754	1I2	25	70 - 9
AM877503	1F10	2	50 - 33	AM877580	1H20	1	70 - 3	AM877755	1H20	13	70 - 3
AM877504	1F10	2	50 - 33	AM877582	1H20	4	70 - 3	AM877756	1I2	10	70 - 9
AM877505	1F8	14	50 - 31	AM877583	1H20	5	70 - 3	AM877757	1I6	5	70 - 13
AM877506	1F12	10	50 - 35	AM877584	1H20	10	70 - 3	AM877757	1I6	9	70 - 13
AM877507	1J23	4	80 - 7	AM877586	1G22	46	55 - 3	AM877757	1I8	43	70 - 15
AM877519	1H16	11	60 - 17	AM877586	1G24	57	55 - 5	AM877757	1I8	44	70 - 15
AM877520	1H14	22	60 - 15	AM877587	1G24	42	55 - 5	AM877758	1I8	13	70 - 15
AM877521	1H14	8	60 - 15	AM877588	1G24	40	55 - 5	AM877759	1I8	14	70 - 15
AM877522	1H14	9	60 - 15	AM877589	1G24	50	55 - 5	AM877760	1I8	11	70 - 15
AM877523	1H14	1A	60 - 15	AM877590	1G24	49	55 - 5	AM877761	1I8	12	70 - 15
AM877524	1H14	7A	60 - 15	AM877591	1G22	39	55 - 3	AM877762	1I8	34	70 - 15
AM877525	1I16	6	70 - 23	AM877592	1G22	12	55 - 3	AM877763	1I8	30	70 - 15
AM877525	1I16	7	70 - 23	AM877593	1G22	3	55 - 3	AM877764	1I8	9	70 - 15
AM877525	1I16	9	70 - 23	AM877595	1G22	30	55 - 3	AM877765	1I8	7	70 - 15
AM877526	1H22	23	70 - 5	AM877597	1I12	22	70 - 19	AM877766	1I8	22	70 - 15
AM877527	1I10	28	70 - 17	AM877598	1I12	3	70 - 19	AM877767	1I10	10	70 - 17
AM877528	1H22	43	70 - 5	AM877599	1I12	19	70 - 19	AM877769	1I10	4	70 - 17
AM877530	1I4	15	70 - 11	AM877601	1K23	1	80 - 32	AM877770	1I10	8	70 - 17
AM877531	1H24	2	70 - 7	AM877603	1I20	17	70 - 27	AM877772	1E17	51	50 - 15
AM877532	1H24	6	70 - 7	AM877605	1I20	17	70 - 27	AM877773	1K6	10	80 - 15
AM877532	1H24	10	70 - 7	AM877608	1J2	8	70 - 33	AM877774	1K18	22	80 - 27
AM877532	1H24	11	70 - 7	AM877609	1I24	2	70 - 31	AM877776	1J14	2	70 - 45
AM877532	1H24	33	70 - 7	AM877610	1J2	18	70 - 33	AM877777	1J14	8	70 - 45
AM877532	1H24	35	70 - 7	AM877611	1J2	21	70 - 33	AM877778	1J14	10	70 - 45
AM877534	1H24	26	70 - 7	AM877612	1J2	19	70 - 33	AM877779	1J14	4	70 - 45
AM877535	1H24	23	70 - 7	AM877613	1J2	20	70 - 33	AM877802	1D11	8	40 - 5
AM877535	1H24	27	70 - 7	AM877614	1J2	9	70 - 33	AM877804	1E15	18	50 - 13
AM877535	1H24	30	70 - 7	AM877615	1J2	12	70 - 33	AM877804	2B9	18	92 - 5
AM877536	1H24	36	70 - 7	AM877616	1J2	23	70 - 33	AM877804	2B9	19	92 - 5
AM877536	1I2	42	70 - 9	AM877617	1J2	2	70 - 33	AM877805	2A22	5	90 - 5
AM877537	1I6	2	70 - 13	AM877618	1J2	24	70 - 33	AM877806	2A22	3	90 - 5
AM877538	1I8	47	70 - 15	AM877619	1J2	25	70 - 33	AM877807	2A22	5	90 - 5
AM877539	1I8	49	70 - 15	AM877620	1J17	3	80 - 1	AM877808	2A22	3	90 - 5
AM877540	1I6	5	70 - 13	AM877620	1J19	4	80 - 3	AM877809	1K6	10	80 - 15
AM877541	1I6	14	70 - 13	AM877620	1J19	8	80 - 3	AM877957	1D11	4	40 - 5
AM877543	1I6	12	70 - 13	AM877620	1J21	4	80 - 5	AM877957	1D11	5	40 - 5
AM877544	1I6	15	70 - 13	AM877620	1J21	8	80 - 5	AM877958	1D11	4	40 - 5
AM877545	1I6	25	70 - 13	AM877628	1J17	3	80 - 1	AM877961	1C12	25	30 - 3
AM877553	1I10	5	70 - 17	AM877632	2A22	1	90 - 5	AM877961	1C12	37	30 - 3
AM877557	1D11	5	40 - 5	AM877632	2A22	..	90 - 5	AM877978	1E17	51	50 - 15
AM877558	1I18	9	70 - 25	AM877634	1G2	4	50 - 49	AM878005	1D13	2	40 - 7
AM877558	1I20	18	70 - 27	AM877635	2A22	5	90 - 5	AM878051	1F16	24	50 - 39
AM877559	1I18	9	70 - 25	AM877636	2A22	3	90 - 5	AM878065	1H4	8	60 - 5
AM877559	1I20	18	70 - 27	AM877637	1G4	5	50 - 51	AM878065	1H4	10	60 - 5
AM877560	1I18	17	70 - 25	AM877678	1C6	..	20 - 37	AM878065	1H4	..	60 - 5
AM877561	1I18	17	70 - 25	AM877681	1K14	9	80 - 23	AM878066	1H4	7	60 - 5
AM877562	1I18	13	70 - 25	AM877700	1H2	7	60 - 3	AM878075	1G9	10	50 - 56
AM877562	1I20	13	70 - 27	AM877705	1K14	26	80 - 23	AM878075	1G9	..	50 - 56
AM877562	2B24	13	92 - 21	AM877706	1G22	55	55 - 3	AM878075	1G13	10	50 - 61
AM877563	1I20	17	70 - 27	AM877707	1G22	56	55 - 3	AM878076	1G9	3	50 - 56
AM877563	2B24	17	92 - 21	AM877708	1G22	..	55 - 3	AM878076	1G9	..	50 - 56
AM877564	1I20	17	70 - 27	AM877709	1G22	..	55 - 3	AM878076	1G13	17	50 - 61
AM877565	1J8	7	70 - 39	AM877710	1G24	..	55 - 5	AM878077	1H12	9	60 - 13
AM877566	1J8	3	70 - 39	AM877714	1G22	25	55 - 3	AM878077	1H12	..	60 - 13
AM877568	1K20	14	80 - 29	AM877717	1K23	1	80 - 32	AM878126	1D19	29	40 - 13
AM877569	1J14	2	70 - 45	AM877718	1K23	1	80 - 32	AM878136	1H14	1A	60 - 15
AM877570	1J12	23	70 - 43	AM877720	1J2	32	70 - 33	AM878136	1H14	1B	60 - 15
AM877570	1J12	26	70 - 43	AM877723	1E9	14	50 - 5	AM878136	1H14	7A	60 - 15
AM877571	1J12	25	70 - 43	AM877734	1E19	13	50 - 17	AM878137	1H14	1A	60 - 15
AM877572	1J12	1	70 - 43	AM877750	1I2	43	70 - 9	AM878137	1H14	7A	60 - 15

**NUMERICAL INDEX - CONTINUED**

PART NO.	GRID	KEY	PAGE	PART NO.	GRID	KEY	PAGE	PART NO.	GRID	KEY	PAGE
AM878137	1H14	7B	60 - 15	AM878755	1E7	12	50 - 3B	AT110618	1A25	..	20 - 7
AM878138	1H14	1A	60 - 15	AM878755	1E7	15	50 - 3B	AT110626	1C12	1	30 - 3
AM878138	1H14	7A	60 - 15	AM878756	1E17	45	50 - 15	AT110626	1C12	2	30 - 3
AM878138	1H14	23	60 - 15	AM878756	1E17	..	50 - 15	AT110858	1A23	13	20 - 5
AM878139	1D19	51	40 - 13	AM878756	2B11	45	92 - 7	AT110858	1A23	..	20 - 5
AM878139	1H14	1A	60 - 15	AM878756	2B11	..	92 - 7	AT118553	1D2	38	30 - 17
AM878139	1H14	7A	60 - 15	AM878778	1B20	20	20 - 27	AT118553	1D4	37	30 - 19
AM878149	1H22	23	70 - 5	AM878778	1B24	25	20 - 31	AT20911	1C14	4	30 - 5
AM878163	1F22	3	50 - 45	AM878786	1B24	28	20 - 31	AT25226	1J17	4	80 - 1
AM878163	1F22	5	50 - 45	AM878798	1E11	25	50 - 7	AT25226	1J23	2	80 - 7
AM878163	1F22	9	50 - 45	AM878850	1F4	13	50 - 27	AT25226	1J23	4	80 - 7
AM878163	1F22	26	50 - 45	AM878851	1F4	12	50 - 27	AT73678	1D4	37	30 - 19
AM878165	1E9	4	50 - 5	AM878851	2B22	12	92 - 19	BM16842	1J23	..	80 - 7
AM878165	1E9	8	50 - 5	AM878852	2B22	13	92 - 19	BM16843	1J17	..	80 - 1
AM878165	1E9	..	50 - 5	AM878854	1J17	5	80 - 1	BM16843	1J21	..	80 - 5
AM878166	1K20	17	80 - 29	AM878857	2A24	30	90 - 7	BM16844	1J23	..	80 - 7
AM878166	1K20	21	80 - 29	AM878857	2B2	30	90 - 9	BM16845	1J19	..	80 - 3
AM878181	1C2	..	20 - 33	AM878859	2B2	24	90 - 9	BM16846	1J21	..	80 - 5
AM878199	1B6	14	20 - 13	AM878860	2A24	40	90 - 7	BM16852	1J19	..	80 - 3
AM878207	1C8	..	20 - 39	AM878860	2B2	23	90 - 9	BM16853	1J19	..	80 - 3
AM878208	1C6	..	20 - 37	AM878862	1B2	13	20 - 9	BM16853	1J23	..	80 - 7
AM878209	1C6	..	20 - 37	AM878862	1B4	13	20 - 11	BM16869	1J19	..	80 - 3
AM878210	1J2	25	70 - 33	AM878865	1I10	24	70 - 17	BM16869	1J23	..	80 - 7
AM878224	1G22	50	55 - 3	AM878876	1H20	5	70 - 3	BM16870	1J21	..	80 - 5
AM878225	1G22	39	55 - 3	AM878891	1B24	25	20 - 31	BM17006	1J21	..	80 - 5
AM878225	1G22	..	55 - 3	AM878891	1B24	28	20 - 31	BM17968	1K24	2	80 - 33
AM878231	2B22	18	92 - 19	AR21836	1I20	20	70 - 27	BM17974	1K24	2	80 - 33
AM878242	1B16	2	20 - 23	AR21836	2B24	20	92 - 21	BM17975	1K23	..	80 - 32
AM878243	1B16	1	20 - 23	AR21839	1I20	5	70 - 27	BM17981	1D21	15	40 - 15
AM878244	1B16	2	20 - 23	AR21839	1J2	10	70 - 33	BM17999	1K23	..	80 - 32
AM878245	1B16	1	20 - 23	AR21839	2B24	5	92 - 21	BM18010	1I12	..	70 - 19
AM878261	1J10	..	70 - 41	AR21840	1D2	13	30 - 17	CH10059	1C12	34	30 - 3
AM878262	1J10	3	70 - 41	AR21840	1D4	33	30 - 19	CH10060	1C12	40	30 - 3
AM878415	1D13	13	40 - 7	AR21840	1G2	13	50 - 49	CH10061	1A23	7	20 - 5
AM878415	1D15	9	40 - 9	AR21840	1G2	15	50 - 49	CH10061	1A25	12	20 - 7
AM878415	1D15	12	40 - 9	AR21840	1G4	14	50 - 51	CH10067	1B2	13	20 - 9
AM878415	1D15	..	40 - 9	AR21840	1G4	16	50 - 51	CH10067	1B4	13	20 - 11
AM878417	1D15	21	40 - 9	AR21840	1I18	2	70 - 25	CH10082	1C12	5	30 - 3
AM878417	1D15	22	40 - 9	AR21840	1I20	11	70 - 27	CH10084	1C12	3	30 - 3
AM878417	1D15	23	40 - 9	AR21840	1J8	4	70 - 39	CH10085	1C2	17	20 - 33
AM878417	1D15	26	40 - 9	AR21840	2B24	23	92 - 21	CH10085	1C6	17	20 - 37
AM878417	1D15	28	40 - 9	AR21999	1D2	26	30 - 17	CH10085	1C12	18	30 - 3
AM878417	1D15	29	40 - 9	AR21999	1D4	24	30 - 19	CH10106	1C12	36	30 - 3
AM878419	1D15	8	40 - 9	AR48236	1C12	14	30 - 3	CH10323	1C12	29	30 - 3
AM878444	1I8	47	70 - 15	AR48236	1C16	2	30 - 7	CH10323	1C20	7	30 - 11
AM878464	1A20	1	20 - 2	AR48236	2B7	2	92 - 3	CH10335	1B8	17	20 - 15
AM878471	2B24	18	92 - 21	AR56211	2A20	26	90 - 3	CH10335	1B10	19	20 - 17
AM878472	2B14	14	92 - 11	AR60250	2A20	9	90 - 3	CH10348	1A23	9	20 - 5
AM878473	2B14	2	92 - 11	AR64422	1D23	5	40 - 17	CH10348	1A25	11	20 - 7
AM878474	2B14	21	92 - 11	AR72902	2A20	29	90 - 3	CH10361	1C12	24	30 - 3
AM878475	2B14	15	92 - 11	AR72903	2A20	29	90 - 3	CH10426	1C4	27	20 - 35
AM878497	1E11	25	50 - 7	AR72987	2A20	41	90 - 3	CH10450	1B2	17	20 - 9
AM878509	1I8	49	70 - 15	AR73336	2A20	45	90 - 3	CH10450	1B4	16	20 - 11
AM878648	1E23	6	50 - 21	AR73338	2A20	..	90 - 3	CH10450	1C2	5	20 - 33
AM878651	1H8	22	60 - 9	AR76583	2A20	40	90 - 3	CH10450	1C6	5	20 - 37
AM878651	1H8	23	60 - 9	AR77698	2A20	15	90 - 3	CH10466	1B14	12	20 - 21
AM878651	1H8	27	60 - 9	AR78261	2A20	12	90 - 3	CH10466	1B14	29	20 - 21
AM878652	1H10	22	60 - 11	AR87054	1D23	6	40 - 17	CH10484	1C18	2	30 - 9
AM878652	1H10	25	60 - 11	AR87167	1D22	7	40 - 16	CH10486	1D13	14	40 - 7
AM878653	1H10	24	60 - 11	AR87168	1D22	6	40 - 16	CH10492	1D17	12	40 - 11
AM878653	1H10	25	60 - 11	AR87184	1D22	5	40 - 16	CH10522	1C22	3	30 - 13
AM878656	1G13	19	50 - 61	AR91732	1J17	..	80 - 1	CH10522	1C24	3	30 - 15
AM878659	1I4	3	70 - 11	AR94493	1C9	3	20 - 40	CH10530	1F2	15	50 - 25
AM878706	1G13	18	50 - 61	AR95434	1C9	1	20 - 40	CH10530	1H2	12	60 - 3
AM878707	1G13	1	50 - 61	AR99784	1C9	..	20 - 40	CH10542	1C22	2	30 - 13
AM878755	1E5	12	50 - 3	AT110293	1C20	11	30 - 11	CH10542	1C24	2	30 - 15
AM878755	1E5	15	50 - 3	AT110618	1A25	9	20 - 7	CH10551	1C4	26	20 - 35

**NUMERICAL INDEX - CONTINUED**

PART NO.	GRID	KEY	PAGE	PART NO.	GRID	KEY	PAGE	PART NO.	GRID	KEY	PAGE
CH10554	1B10	15	20-17	CH10990	1I4	1	70-11	CH11436	2B9	11	92-5
CH10554	1C8	17	20-39	CH10992	1H22	35	70-5	CH11448	1G9	4	50-56
CH10554	1C12	20	30-3	CH10993	1H22	33	70-5	CH11448	1G13	11	50-61
CH10555	1C8	18	20-39	CH10995	1I4	6	70-11	CH11448	1H12	8	60-13
CH10555	1C12	22	30-3	CH10998	1I4	11	70-11	CH11448	1J25	15	80-9
CH10555	2B14	27	92-11	CH10999	1I4	7	70-11	CH11450	1G9	5	50-56
CH10558	1C12	33	30-3	CH11011	1K18	20	80-27	CH11450	1G13	12	50-61
CH10560	1G13	20	50-61	CH11059	1F14	14	50-37	CH11450	1H12	6	60-13
CH10561	1C18	9	30-9	CH11061	1H14	15	60-15	CH11450	1H12	15	60-13
CH10561	2B14	28	92-11	CH11078	1J17	4	80-1	CH11450	1J25	16	80-9
CH10564	1F2	13	50-25	CH11080	1J19	6	80-3	CH11460	1K14	3	80-23
CH10564	2B20	13	92-17	CH11120	1K4	20	80-13	CH11461	1G9	1	50-56
CH10567	1H24	24	70-7	CH11127	1K2	13	80-11	CH11461	1G13	16	50-61
CH10567	1I2	21	70-9	CH11140	1K2	8	80-11	CH11461	1J25	12	80-9
CH10568	1A23	10	20-5	CH11143	1K2	15	80-11	CH11462	1G9	11	50-56
CH10568	1A25	10	20-7	CH11144	1K2	26	80-11	CH11462	1G13	14	50-61
CH10568	1C2	20	20-33	CH11145	1K2	23	80-11	CH11462	1H12	11	60-13
CH10568	1C6	20	20-37	CH11146	1G19	14	50-67	CH11462	1J25	12	80-9
CH10568	1H22	22	70-5	CH11146	1K2	20	80-11	CH11466	1K2	9	80-11
CH10569	1B18	5	20-25	CH11147	1K2	7	80-11	CH11472	1E19	6	50-17
CH10569	1H24	4	70-7	CH11154	1J25	9	80-9	CH11472	1G22	14	55-3
CH10569	1I2	3	70-9	CH11155	1J25	10	80-9	CH11476	1F14	4	50-37
CH10570	1B20	26	20-27	CH11156	1J25	11	80-9	CH11477	1I10	12	70-17
CH10570	1B22	24	20-29	CH11157	1J25	11	80-9	CH11481	1G24	7	55-5
CH10570	1B24	32	20-31	CH11159	1K2	21	80-11	CH11482	1E23	13	50-21
CH10570	1C8	19	20-39	CH11161	1K2	27	80-11	CH11482	1E25	13	50-23
CH10570	1C12	10	30-3	CH11162	1K2	28	80-11	CH11482	1F4	1	50-27
CH10570	1E15	28	50-13	CH11164	1J19	3	80-3	CH11485	1F10	3	50-33
CH10570	1G6	12	50-53	CH11165	1J19	2	80-3	CH11489	1C18	11	30-9
CH10570	1G15	2	50-63	CH11166	1J19	1	80-3	CH11489	1I8	10	70-15
CH10570	1G17	42	50-65	CH11171	1H6	13	60-7	CH11490	1G22	17	55-3
CH10570	1G19	9	50-67	CH11208	1E13	23	50-9	CH11490	1I6	28	70-13
CH10570	1G24	34	55-5	CH11208	1E21	32	50-19	CH11490	1I8	32	70-15
CH10570	1H24	34	70-7	CH11218	1F10	11	50-33	CH11495	1I4	14	70-11
CH10570	1I2	35	70-9	CH11219	1F10	14	50-33	CH11496	1J12	18	70-43
CH10570	1J4	4	70-35	CH11222	1F10	5	50-33	CH11497	1G17	14	50-65
CH10570	2B9	28	92-5	CH11223	1F10	5	50-33	CH11499	1C20	33	30-11
CH10571	1B8	20	20-15	CH11243	1F16	14	50-39	CH11500	1J12	14	70-43
CH10571	1B10	26	20-17	CH11246	1F16	12	50-39	CH11501	1E13	15	50-9
CH10571	1C8	21	20-39	CH11285	1I4	5	70-11	CH11501	1E19	8	50-17
CH10571	1C12	6	30-3	CH11329	1F14	10	50-37	CH11501	1E21	29	50-19
CH10571	1C18	16	30-9	CH11365	1J12	15	70-43	CH11501	1G24	51	55-5
CH10577	1B6	28	20-13	CH11366	1J12	16	70-43	CH11501	1J12	11	70-43
CH10620	1D19	41	40-13	CH11368	1J12	6	70-43	CH11502	1E5	2	50-3
CH10623	1D17	18	40-11	CH11371	1J12	17	70-43	CH11502	1E7	2	50-3B
CH10641	1J12	5	70-43	CH11372	1J12	4	70-43	CH11502	1G17	24	50-65
CH10642	1B8	4	20-15	CH11378	1J12	24	70-43	CH11524	1C22	4	30-13
CH10642	1B10	3	20-17	CH11396	1E5	20	50-3	CH11524	1C24	4	30-15
CH10802	1E13	7	50-9	CH11396	1E7	20	50-3B	CH11527	1K4	19	80-13
CH10807	1J12	7	70-43	CH11397	1E5	18	50-3	CH11528	1J10	4	70-41
CH10859	1J10	1	70-41	CH11397	1E7	18	50-3B	CH11542	1H14	21	60-15
CH10879	1K2	19	80-11	CH11400	1D17	37	40-11	CH11543	1K2	17	80-11
CH10880	1H6	12	60-7	CH11403	1H22	48	70-5	CH11548	1I18	14	70-25
CH10889	1E5	7	50-3	CH11403	1I10	20	70-17	CH11548	1I20	12	70-27
CH10889	1E7	7	50-3B	CH11409	1J14	3	70-45	CH11548	2B24	12	92-21
CH10891	1G19	27	50-67	CH11411	1D20	5	40-14	CH11550	1F6	16	50-29
CH10921	1E15	26	50-13	CH11414	1E15	27	50-13	CH11550	1G8	30	50-55
CH10921	2B9	26	92-5	CH11414	1G6	13	50-53	CH11551	1G6	7	50-53
CH10927	1E13	25	50-9	CH11414	1G15	1	50-63	CH11552	1F10	15	50-33
CH10927	1E21	24	50-19	CH11414	1G17	41	50-65	CH11552	1G6	18	50-53
CH10946	1F12	13	50-35	CH11414	1G19	10	50-67	CH11553	1F16	10	50-39
CH10959	1F6	7	50-29	CH11414	1G24	35	55-5	CH11554	1E23	1	50-21
CH10965	1F14	9	50-37	CH11414	2B9	27	92-5	CH11554	1E25	1	50-23
CH10969	1F14	8	50-37	CH11416	1G22	33	55-3	CH11554	1G24	29	55-5
CH10974	1J17	5	80-1	CH11436	1E15	11	50-13	CH11554	2B18	1	92-15
CH10975	1J17	4	80-1	CH11436	1F14	12	50-37	CH11560	1I8	1	70-15
CH10988	1H14	17	60-15	CH11436	1G6	3	50-53	CH11561	1H22	30	70-5

## NUMERICAL INDEX - CONTINUED

PART NO.	GRID	KEY	PAGE	PART NO.	GRID	KEY	PAGE	PART NO.	GRID	KEY	PAGE
CH11562	1I14	15	70-21	CH12320	1G13	13	50-61	CH13092	1F2	3	50-25
CH11562	1I20	4	70-27	CH12320	1H12	5	60-13	CH13092	2B20	3	92-17
CH11562	2B24	4	92-21	CH12320	1J14	12	70-45	CH13095	1E11	21	50-7
CH11563	1G13	8	50-61	CH12320	1J25	7	80-9	CH13096	1E11	22	50-7
CH11563	1G17	8	50-65	CH12324	1K2	25	80-11	CH13097	1F2	12	50-25
CH11564	1C8	20	20-39	CH12353	1D2	33	30-17	CH13097	2B20	12	92-17
CH11564	1J4	6	70-35	CH12370	1F14	5	50-37	CH13099	1E11	24	50-7
CH11567	1H22	36	70-5	CH12370	1F16	6	50-39	CH13110	1G19	24	50-67
CH11570	1H22	42	70-5	CH12378	1F10	7	50-33	CH13119	1F10	14	50-33
CH11571	1F16	13	50-39	CH12395	1I4	13	70-11	CH13154	1G19	32	50-67
CH11571	1G17	34	50-65	CH12395	1J10	10	70-41	CH13155	1G19	30	50-67
CH11571	1I4	2	70-11	CH12404	1H6	3	60-7	CH13156	1G19	33	50-67
CH11572	1E17	56	50-15	CH12404	1H24	40	70-7	CH13158	1G2	8	50-49
CH11572	1G24	1	55-5	CH12404	1I2	40	70-9	CH13158	1G4	8	50-51
CH11572	2B11	52	92-7	CH12467	1D13	37	40-7	CH13159	1G2	9	50-49
CH11574	1H14	12	60-15	CH12487	1D13	36	40-7	CH13159	1G4	9	50-51
CH11574	1I10	6	70-17	CH12487	1D15	17	40-9	CH13160	1G2	7	50-49
CH11601	1H24	41	70-7	CH12490	1D13	26	40-7	CH13160	1G4	3	50-51
CH11601	1I2	41	70-9	CH12554	1D13	40	40-7	CH13163	1G19	17	50-67
CH11624	1H24	14	70-7	CH12554	1D15	20	40-9	CH13166	1G11	3	50-59
CH11624	1I2	17	70-9	CH12556	1D13	39	40-7	CH13189	1D19	27	40-13
CH11642	1J25	8	80-9	CH12573	1F14	13	50-37	CH13189	2B14	19	92-11
CH11698	1D17	11	40-11	CH12597	1K8	27	80-17	CH13190	1D17	16	40-11
CH11698	1D19	46	40-13	CH12620	1F22	19	50-45	CH13192	1J25	9	80-9
CH11745	1J19	..	80-3	CH12621	1F14	11	50-37	CH13231	1H22	6	70-5
CH11827	1K2	14	80-11	CH12636	1D19	6	40-13	CH13232	1H22	5	70-5
CH11828	1E13	6	50-9	CH12637	1D19	10	40-13	CH13233	1H22	3	70-5
CH11876	1D17	20	40-11	CH12638	1D19	9	40-13	CH13234	1H22	2	70-5
CH11882	1I24	1	70-31	CH12639	1D19	5	40-13	CH13235	1H22	7	70-5
CH11883	1F22	8	50-45	CH12679	1J19	7	80-3	CH13278	1F22	2	50-45
CH11883	1G22	8	55-3	CH12680	1J19	6	80-3	CH13278	1F24	12	50-47
CH11884	1F22	24	50-45	CH12696	1D13	41	40-7	CH13294	1K4	20	80-13
CH11885	1H22	18	70-5	CH12697	1D13	42	40-7	CH13298	1J25	2	80-9
CH11895	1D17	5	40-11	CH12699	1D13	44	40-7	CH13301	1K2	10	80-11
CH11895	1D19	45	40-13	CH12699	1D15	24	40-9	CH13310	1H6	11	60-7
CH11917	1J19	1	80-3	CH12700	1D13	45	40-7	CH13317	1H6	16	60-7
CH11970	1K14	2	80-23	CH12700	1D15	25	40-9	CH13377	1F12	13	50-35
CH11981	1F22	18	50-45	CH12701	1D13	46	40-7	CH13415	1D19	25	40-13
CH11985	1J2	1	70-33	CH12702	1D13	47	40-7	CH13415	1G24	54	55-5
CH12008	1I10	25	70-17	CH12702	1D15	27	40-9	CH13439	1J10	5	70-41
CH12014	1J14	5	70-45	CH12703	1D13	48	40-7	CH13455	1G19	29	50-67
CH12122	1K8	12	80-17	CH12713	1D19	4	40-13	CH13469	1J21	3	80-5
CH12150	1D20	1	40-14	CH12713	1D19	7	40-13	CH13470	1J21	2	80-5
CH12180	1J19	3	80-3	CH12713	1D19	11	40-13	CH13481	1F22	11	50-45
CH12181	1J19	2	80-3	CH12734	1C12	4	30-3	CH13484	1F10	13	50-33
CH12181	1J19	6	80-3	CH12738	1D13	38	40-7	CH13488	1H16	7	60-17
CH12190	1J19	7	80-3	CH12740	1D13	4	40-7	CH13488	2B22	1	92-19
CH12207	1D9	22	40-3	CH12752	1D13	34	40-7	CH13489	1F2	6	50-25
CH12294	1H22	29	70-5	CH12752	1D15	14	40-9	CH13489	1F6	8	50-29
CH12301	1E5	10	50-3	CH12754	1D13	16	40-7	CH13489	1F24	7	50-47
CH12301	1E7	10	50-3B	CH12754	1D13	18	40-7	CH13489	2B16	12	92-13
CH12303	1I10	16	70-17	CH12755	1D13	15	40-7	CH13489	2B20	6	92-17
CH12304	1E19	19	50-17	CH12762	1I6	11	70-13	CH13490	1G6	19	50-53
CH12304	1E21	21	50-19	CH12762	1I8	3	70-15	CH13492	1F6	1	50-29
CH12304	1F12	2	50-35	CH12763	1H6	6	60-7	CH13497	1C18	29	30-9
CH12304	1F24	18	50-47	CH12782	1C4	5	20-35	CH13497	1I8	15	70-15
CH12304	1G19	26	50-67	CH12816	1B24	3	20-31	CH13499	1K8	16	80-17
CH12304	1G24	39	55-5	CH12816	1B24	17	20-31	CH13500	1F12	11	50-35
CH12304	2B14	3	92-11	CH12816	1C8	5	20-39	CH13505	1B12	18	20-19
CH12305	1F10	13	50-33	CH12866	1C4	24	20-35	CH13505	1G24	11	55-5
CH12310	1E13	16	50-9	CH12866	1C4	25	20-35	CH13506	1E17	58	50-15
CH12319	1E9	2	50-5	CH12881	1D2	19	30-17	CH13506	1F2	4	50-25
CH12319	1H14	1A	60-15	CH12881	1D4	18	30-19	CH13506	1F24	2	50-47
CH12319	1H14	7A	60-15	CH12882	1D2	22	30-17	CH13506	2B16	5	92-13
CH12319	2A24	6	90-7	CH12882	1D4	21	30-19	CH13506	2B20	4	92-17
CH12319	2B2	6	90-9	CH12896	1C4	28	20-35	CH13507	1G19	34	50-67
CH12320	1G9	6	50-56	CH13085	1G6	22	50-53	CH13509	1G11	10	50-59

**NUMERICAL INDEX - CONTINUED**

PART NO.	GRID	KEY	PAGE	PART NO.	GRID	KEY	PAGE	PART NO.	GRID	KEY	PAGE
CH13510	1G15	11	50-63	CH14441	1J12	13	70-43	CH14724	1J21	1	80-5
CH13511	1F4	5	50-27	CH14442	1J12	19	70-43	CH14738	1H6	7	60-7
CH13511	1F6	4	50-29	CH14443	1E13	12	50-9	CH14748	1E5	13	50-3
CH13511	2B22	5	92-19	CH14443	1J12	8	70-43	CH14748	1E7	13	50-3B
CH13526	1B24	11	20-31	CH14475	1J12	2	70-43	CH14751	1E15	12	50-13
CH13527	1G19	13	50-67	CH14576	1G17	18	50-65	CH14751	2B9	12	92-5
CH13542	1H24	1	70-7	CH14576	1G17	26	50-65	CH14782	1G19	28	50-67
CH13542	1I2	1	70-9	CH14581	1G11	4	50-59	CH14795	1E15	20	50-13
CH13545	1C18	25	30-9	CH14581	1G17	13	50-65	CH14795	1F14	2	50-37
CH13551	1G19	35	50-67	CH14581	1G17	28	50-65	CH14795	1F16	4	50-39
CH13555	1F4	17	50-27	CH14582	1I18	6	70-25	CH14795	1F18	10	50-41
CH13559	1H22	4	70-5	CH14582	1I20	10	70-27	CH14795	1F20	2	50-43
CH13568	1F10	7	50-33	CH14582	2B24	10	92-21	CH14795	1G15	5	50-63
CH13599	1J25	8	80-9	CH14592	1G24	24	55-5	CH14795	1G24	22	55-5
CH13609	1H22	17	70-5	CH14594	1G17	16	50-65	CH14795	1I10	15	70-17
CH13654	1G2	10	50-49	CH14594	1G17	17	50-65	CH14795	2B9	20	92-5
CH13654	1G4	10	50-51	CH14595	1G17	22	50-65	CH14818	1E15	1	50-13
CH13682	1E11	5	50-7	CH14596	1G17	21	50-65	CH14865	1I24	6	70-31
CH13687	1E11	3	50-7	CH14597	1G17	19	50-65	CH14887	1E23	14	50-21
CH13690	1E11	9	50-7	CH14598	1G17	20	50-65	CH14887	1E25	14	50-23
CH13692	1E11	8	50-7	CH14599	1G17	23	50-65	CH14887	1F2	10	50-25
CH13693	1E11	2	50-7	CH14607	1G22	9	55-3	CH14887	2B18	14	92-15
CH13694	1E11	4	50-7	CH14620	1G17	36	50-65	CH14887	2B20	10	92-17
CH13695	1E11	12	50-7	CH14625	1G17	2	50-65	CH14906	1I6	13	70-13
CH13705	1H10	5	60-11	CH14626	1G17	4	50-65	CH14906	1I8	8	70-15
CH13706	1H10	4	60-11	CH14627	1F6	10	50-29	CH14926	1E13	33	50-9
CH13707	1H12	6	60-13	CH14627	1G17	3	50-65	CH14926	1E19	14	50-17
CH13707	1H12	15	60-13	CH14634	1D19	26	40-13	CH14926	1E21	23	50-19
CH13718	1F6	2	50-29	CH14634	1G24	55	55-5	CH14926	1F24	19	50-47
CH13731	1J2	37	70-33	CH14634	1H8	16	60-9	CH14926	1G24	47	55-5
CH13745	1K8	32	80-17	CH14634	1H10	16	60-11	CH14955	1B14	7	20-21
CH13746	2B14	22	92-11	CH14634	1H22	15	70-5	CH14955	1B14	24	20-21
CH13797	1H6	4	60-7	CH14635	1E15	31	50-13	CH14972	1F6	6	50-29
CH13814	1B6	17	20-13	CH14635	1G22	54	55-3	CH14977	1F6	12	50-29
CH13814	1C2	13	20-33	CH14635	1G24	15	55-5	CH15000	1G13	6	50-61
CH13814	1C6	13	20-37	CH14635	2B9	31	92-5	CH15000	1G15	6	50-63
CH13832	1K20	13	80-29	CH14640	1G17	7	50-65	CH15002	1B2	21	20-9
CH13851	1F12	6	50-35	CH14641	1G17	29	50-65	CH15002	1B4	27	20-11
CH13851	1F12	12	50-35	CH14656	1G6	14	50-53	CH15002	1B10	5	20-17
CH13865	1I14	10	70-21	CH14658	1G8	11	50-55	CH15002	1D4	9	30-19
CH13865	1I18	10	70-25	CH14659	1G8	9	50-55	CH15010	1E5	25	50-3
CH13865	1I20	14	70-27	CH14661	1G6	11	50-53	CH15010	1E7	25	50-3B
CH13865	2B24	14	92-21	CH14662	1G8	17	50-55	CH15010	1E17	43	50-15
CH13894	1J19	3	80-3	CH14668	1G24	23	55-5	CH15010	1F24	26	50-47
CH13895	1J19	2	80-3	CH14669	1E15	25	50-13	CH15010	2B11	43	92-7
CH13899	1F14	18	50-37	CH14669	1F4	18	50-27	CH15010	2B16	4	92-13
CH13899	1F16	18	50-39	CH14669	1F6	13	50-29	CH15024	1F12	3	50-35
CH13940	1G8	2	50-55	CH14669	1G8	12	50-55	CH15030	1F12	5	50-35
CH13940	1G17	10	50-65	CH14669	2B9	25	92-5	CH15035	1F4	3	50-27
CH13942	1D19	32	40-13	CH14670	1G8	24	50-55	CH15035	2B22	3	92-19
CH13942	1G22	41	55-3	CH14671	1G8	13	50-55	CH15042	1G19	2	50-67
CH13979	1E17	57	50-15	CH14671	1G19	11	50-67	CH15088	1H14	10	60-15
CH13979	1F24	1	50-47	CH14671	2B9	4	92-5	CH15143	1H22	27	70-5
CH14083	1K4	21	80-13	CH14677	1G8	28	50-55	CH15163	1I6	8	70-13
CH14117	1G15	18	50-63	CH14678	1G8	22	50-55	CH15163	1I8	31	70-15
CH14117	1G15	19	50-63	CH14679	1G8	23	50-55	CH15255	1D17	7	40-11
CH14118	1F14	17	50-37	CH14680	1G8	20	50-55	CH15270	1E9	12	50-5
CH14118	1F16	18	50-39	CH14681	1G8	19	50-55	CH15270	1H14	13	60-15
CH14118	1G15	18	50-63	CH14682	1G8	18	50-55	CH15270	1K6	7	80-15
CH14140	1K16	5	80-25	CH14683	1G8	26	50-55	CH15282	1J14	10	70-45
CH14140	2C2	5	92-23	CH14684	1G8	21	50-55	CH15317	1H20	9	70-3
CH14162	1J25	10	80-9	CH14686	1G8	29	50-55	CH15338	1J8	15	70-39
CH14175	1K14	8	80-23	CH14687	1G8	25	50-55	CH15339	1J8	14	70-39
CH14431	1I16	2	70-23	CH14693	1F10	4	50-33	CH15362	1G17	5	50-65
CH14432	1I16	1	70-23	CH14693	1F14	19	50-37	CH15363	1G17	44	50-65
CH14436	1I16	6	70-23	CH14693	1G19	23	50-67	CH15364	1G8	8	50-55
CH14439	1I16	5	70-23	CH14714	1J23	3	80-7	CH15385	1C2	19	20-33

**NUMERICAL INDEX - CONTINUED**

PART NO.	GRID	KEY	PAGE	PART NO.	GRID	KEY	PAGE	PART NO.	GRID	KEY	PAGE
CH15385	1C6	19	20-37	CH16545	1H22	1	70-5	CH17654	1I18	7	70-25
CH15385	1C8	23	20-39	CH16578	1D17	36	40-11	CH17718	1K20	11	80-29
CH15385	1C18	41	30-9	CH16579	1D17	21	40-11	CH17809	1K14	22	80-23
CH15385	1C20	21	30-11	CH16579	1D19	42	40-13	CH17861	1I16	11	70-23
CH15389	1B24	8	20-31	CH16727	1B20	9	20-27	CH17960	1C12	19	30-3
CH15392	1G22	6	55-3	CH16727	1B22	10	20-29	CH18030	1E11	10	50-7
CH15392	1I8	19	70-15	CH16727	1C8	24	20-39	CH18031	1E11	11	50-7
CH15483	1B16	7	20-23	CH16747	1B2	20	20-9	CH18032	1E11	14	50-7
CH15500	1B8	24	20-15	CH16747	1B4	26	20-11	CH18033	1E11	13	50-7
CH15500	1B10	22	20-17	CH16749	1B2	26	20-9	CH18079	1B8	3	20-15
CH15501	1C12	21	30-3	CH16749	1B4	25	20-11	CH18079	1B10	32	20-17
CH15535	1B6	2	20-13	CH16751	1B2	22	20-9	CH18096	1B24	4	20-31
CH15552	1C12	38	30-3	CH16751	1B4	21	20-11	CH18096	1B24	16	20-31
CH15595	1G17	32	50-65	CH16769	1E19	5	50-17	CH18199	1D13	43	40-7
CH15626	1E11	7	50-7	CH16769	1G22	15	55-3	CH18199	1D13	49	40-7
CH15639	1J12	10	70-43	CH16769	1H2	15	60-3	CH18200	1D13	43	40-7
CH15663	2B14	7	92-11	CH16778	1D2	24	30-17	CH18201	1J14	11	70-45
CH15722	1B24	37	20-31	CH16778	1D4	23	30-19	CH18214	1F14	18	50-37
CH15738	1E5	21	50-3	CH16781	1B24	7	20-31	CH18214	1F16	18	50-39
CH15738	1E7	21	50-3B	CH16781	1D2	4	30-17	CH18215	1K12	5	80-21
CH15805	1G9	2	50-56	CH16781	1D4	6	30-19	CH18385	2B11	50	92-7
CH15805	1G13	9	50-61	CH16781	1E17	60	50-15	CH18540	1H2	3	60-3
CH15805	1H8	6	60-9	CH16781	2B9	7	92-5	CH18577	1E19	7	50-17
CH15805	1H10	6	60-11	CH16793	1B14	20	20-21	CH18638	2B14	11	92-11
CH15805	1H12	10	60-13	CH16793	1B18	11	20-25	CH18734	1D17	4	40-11
CH15805	1J12	12	70-43	CH16798	1B14	15	20-21	CH18916	1I8	28	70-15
CH15805	1J25	13	80-9	CH16798	1B14	32	20-21	CH19091	1D2	15	30-17
CH15805	1K2	11	80-11	CH16842	1E17	49	50-15	CH19093	1B22	13	20-29
CH15861	1D13	28	40-7	CH16849	1B6	21	20-13	CH19099	1C12	28	30-3
CH15864	1D13	29	40-7	CH16888	1C12	39	30-3	CH19099	1D4	13	30-19
CH15865	1D13	30	40-7	CH16940	1B24	36	20-31	CH19101	1B8	9	20-15
CH15867	1D13	17	40-7	CH16940	1C8	10	20-39	CH19101	1B10	9	20-17
CH15867	1D13	19	40-7	CH16952	1K18	16	80-27	CH19101	1B24	20	20-31
CH15867	1D13	35	40-7	CH16960	1I8	5	70-15	CH19109	1B18	6	20-25
CH15868	1D13	20	40-7	CH16989	1J8	13	70-39	CH19136	1B20	13	20-27
CH15869	1D13	21	40-7	CH17113	1F2	1	50-25	CH19136	1B24	19	20-31
CH15872	1D13	22	40-7	CH17113	2B20	1	92-17	CH19140	1B6	29	20-13
CH15873	1D13	23	40-7	CH17125	1G24	48	55-5	CH19141	1I14	13	70-21
CH15873	1D13	33	40-7	CH17125	1H20	11	70-3	CH19164	1J17	3	80-1
CH15875	1D13	24	40-7	CH17126	1G24	44	55-5	CH19167	1J17	3	80-1
CH15877	1D13	25	40-7	CH17154	1C12	11	30-3	CH19167	1J19	4	80-3
CH15879	1D13	32	40-7	CH17154	1E15	4	50-13	CH19167	1J21	4	80-5
CH15881	1D13	31	40-7	CH17159	1C14	6	30-5	CH19172	1E15	5	50-13
CH15933	1B24	29	20-31	CH17159	1F12	4	50-35	CH19172	2B9	5	92-5
CH15945	1C4	22	20-35	CH17159	1I6	10	70-13	CH19179	1J8	16	70-39
CH15977	1D13	8	40-7	CH17159	1I8	6	70-15	CH19185	1D20	8	40-14
CH15977	1D15	7	40-9	CH17159	2B14	5	92-11	CH19218	1J14	8	70-45
CH15981	1D13	51	40-7	CH17160	1H22	37	70-5	CH19220	1J14	14	70-45
CH15987	1D11	7	40-5	CH17199	1H8	3	60-9	CH19224	1J8	11	70-39
CH15993	1D11	15	40-5	CH17199	1H10	3	60-11	CH19224	1J8	12	70-39
CH15996	1D11	12	40-5	CH17291	1E21	3	50-19	CH19284	1D13	54	40-7
CH16055	1D2	18	30-17	CH17296	1C16	1	30-7	CH19291	1B14	8	20-21
CH16058	1G24	28	55-5	CH17296	1D17	22	40-11	CH19291	1B14	25	20-21
CH16105	1G24	21	55-5	CH17296	2B7	1	92-3	CH19494	1J14	4	70-45
CH16106	1G17	31	50-65	CH17297	1D19	16	40-13	CH19554	1D13	27	40-7
CH16106	1G19	7	50-67	CH17297	1D19	31	40-13	CH19556	1D13	10	40-7
CH16109	1G19	5	50-67	CH17430	1G15	13	50-63	CH19556	1D13	13	40-7
CH16110	1H8	8	60-9	CH17480	1F4	6	50-27	CH19557	1D13	11	40-7
CH16110	1H10	8	60-11	CH17480	2B18	21	92-15	CH19558	1D13	12	40-7
CH16314	1H12	13	60-13	CH17480	2B22	6	92-19	CH19559	1D13	26	40-7
CH16382	1E17	62	50-15	CH17510	1F10	16	50-33	CH19560	1D13	53	40-7
CH16389	1E23	10	50-21	CH17510	1F10	19	50-33	CH19561	1D13	9	40-7
CH16389	1E25	10	50-23	CH17510	1F10	20	50-33	CH19562	1D13	..	40-7
CH16389	2B18	10	92-15	CH17510	1F10	21	50-33	CH19563	1D13	1	40-7
CH16401	2B16	3	92-13	CH17515	1I4	10	70-11	CH19564	1D13	7	40-7
CH16429	1E13	27	50-9	CH17540	1E21	11	50-19	CH19565	1D13	6	40-7
CH16469	1G24	4	55-5	CH17540	1I8	25	70-15	CH19566	1D13	5	40-7

**NUMERICAL INDEX - CONTINUED**

PART NO.	GRID	KEY	PAGE	PART NO.	GRID	KEY	PAGE	PART NO.	GRID	KEY	PAGE
CH19567	1D13	3	40-7	M800099	1C18	35	30-9	M800999	1B20	15	20-27
CH19567	1D15	2	40-9	M800103	1C18	42	30-9	M800999	1B22	16	20-29
CH19742	1G8	14	50-55	M800112	1H2	6	60-3	M800999	1C8	7	20-39
CH19768	1J19	..	80-3	M800112	1K18	12	80-27	M801000	1B20	28	20-27
CH19780	1C24	8	30-15	M800114	1D11	10	40-5	M801000	1B22	27	20-29
CH20018	1G8	10	50-55	M800116	1D11	17	40-5	M801001	1B20	27	20-27
CH20029	1J21	2	80-5	M800117	1D11	16	40-5	M801001	1B22	26	20-29
CH20038	1G6	15	50-53	M800119	1D11	13	40-5	M801001	1C8	8	20-39
CH20038	1H2	17	60-3	M800121	1D11	11	40-5	M801005	1B24	31	20-31
CH20041	1G17	40	50-65	M800122	1D11	9	40-5	M801005	1C8	6	20-39
CH20073	1D2	2	30-17	M800123	1D11	14	40-5	M801016	1B2	30	20-9
CH20073	1D4	3	30-19	M800125	1D22	2	40-16	M801016	1B4	30	20-11
CH20157	1D17	25	40-11	M800212	1C20	15	30-11	M801016	1C2	6	20-33
CH20174	1I16	4	70-23	M800307	1D19	24	40-13	M801016	1C6	6	20-37
CH20176	1I16	3	70-23	M800307	1I8	37	70-15	M801017	1B2	29	20-9
CH20185	1E11	15	50-7	M800312	1B6	16	20-13	M801017	1B4	29	20-11
ET14356	1I16	14	70-23	M800316	2B11	49	92-7	M801017	1C2	7	20-33
ET14364	1I16	12	70-23	M800360	1H12	12	60-13	M801017	1C6	7	20-37
ET15510	1I22	7	70-29	M800473	1E15	18	50-13	M801018	1B2	31	20-9
ET15511	1I22	9	70-29	M800477	1G13	2	50-61	M801018	1B4	31	20-11
ET15511	1J2	36	70-33	M800529	1F6	9	50-29	M801022	1B2	3	20-9
E63525	2B3	1	90-10	M800566	1I16	15	70-23	M801022	1B4	3	20-11
H836R	1G2	3	50-49	M800600	1H16	10	60-17	M801023	1B2	9	20-9
H836R	1G4	4	50-51	M800628	1E15	13	50-13	M801023	1B4	9	20-11
H97644	2A20	41	90-3	M800628	2B9	13	92-5	M801024	1B2	2	20-9
JD3038	1J23	4	80-7	M800661	1H22	21	70-5	M801024	1B4	2	20-11
JD7689	1F6	6	50-29	M800662	1H22	20	70-5	M801025	1B2	7	20-9
JD9292	1F8	13	50-31	M800675	1J2	10	70-33	M801025	1B4	7	20-11
JD9292	1F16	19	50-39	M800676	1B24	26	20-31	M801027	1B2	5	20-9
JD9344	1F6	10	50-29	M800699	1J4	8	70-35	M801027	1B4	5	20-11
JD9344	1G17	3	50-65	M800709	1J4	26	70-35	M801028	1B2	6	20-9
JD9449	1B14	10	20-21	M800710	1J4	23	70-35	M801028	1B4	6	20-11
JD9449	1B14	27	20-21	M800711	1J4	24	70-35	M801031	1A23	2	20-5
JD9471	1G11	10	50-59	M800792	1D19	40	40-13	M801031	1A25	14	20-7
L29304	1J23	6	80-7	M800794	1C20	38	30-11	M801032	1A23	6	20-5
M114910	1J6	11	70-37	M800827	1G6	6	50-53	M801032	1A25	2	20-7
M117557	1H20	18	70-3	M800827	1G6	8	50-53	M801033	1A23	4	20-5
M117557	1K20	15	80-29	M800830	1E23	12	50-21	M801033	1A25	3	20-7
M118208	1K22	4	80-31	M800830	1E25	12	50-23	M801034	1A23	5	20-5
M119946	1I22	10	70-29	M800830	2B18	12	92-15	M801034	1A25	4	20-7
M40461	1H20	7	70-3	M800848	1E15	8	50-13	M801034	1C2	21	20-33
M40461	1K4	19	80-13	M800848	1H22	9	70-5	M801034	1C6	21	20-37
M42702	1I12	14	70-19	M800848	1I10	19	70-17	M801034	1I4	4	70-11
M42702	1I22	12	70-29	M800848	1I12	20	70-19	M801038	1B24	21	20-31
M42702	1J2	34	70-33	M800848	1I14	6	70-21	M801044	1B12	7	20-19
M64850	1B22	..	20-29	M800848	1J2	5	70-33	M801045	1B12	6	20-19
M64850	1C8	1	20-39	M800853	1H2	7	60-3	M801045	1B14	5	20-21
M66044	1I22	6	70-29	M800853	1I12	21	70-19	M801045	1B14	22	20-21
M72810	1I12	6	70-19	M800853	1I14	7	70-21	M801046	1B12	1	20-19
M76402	1I12	6	70-19	M800853	1J2	4	70-33	M801050	1B12	10	20-19
M76636	1K20	22	80-29	M800880	2A24	13	90-7	M801053	1B14	4	20-21
M76636	2A22	7	90-5	M800880	2B2	13	90-9	M801053	1B14	19	20-21
M76637	1K20	20	80-29	M800882	2A24	9	90-7	M801055	1B14	14	20-21
M76637	2A22	6	90-5	M800882	2B2	9	90-9	M801055	1B14	31	20-21
M76641	1K22	8	80-31	M800883	2A24	8	90-7	M801084	1B6	6	20-13
M76643	1K22	6	80-31	M800883	2B2	8	90-9	M801084	1C2	12	20-33
M77781	1K24	1	80-33	M800955	1B6	12	20-13	M801084	1C6	12	20-37
M77782	1K24	6	80-33	M800973	1B8	27	20-15	M801086	1B6	10	20-13
M800002	1B2	11	20-9	M800973	1B10	31	20-17	M801088	1B6	4	20-13
M800002	1B4	11	20-11	M800974	1B8	16	20-15	M801093	1C20	19	30-11
M800002	1C20	24	30-11	M800974	1B10	11	20-17	M801096	1C20	14	30-11
M800008	1I20	1	70-27	M800977	1B8	7	20-15	M801097	1C20	17	30-11
M800008	2B24	8	92-21	M800977	1B10	7	20-17	M801098	1C20	16	30-11
M800009	2B24	8	92-21	M800978	1B8	8	20-15	M801108	1C12	17	30-3
M800011	1B20	2	20-27	M800978	1B10	8	20-17	M801111	1C12	30	30-3
M800011	1B22	2	20-29	M800988	1B24	10	20-31	M801111	1C20	6	30-11
M800078	1K18	12	80-27	M800988	1C8	4	20-39	M801112	1C20	23	30-11

**NUMERICAL INDEX - CONTINUED**

PART NO.	GRID	KEY	PAGE	PART NO.	GRID	KEY	PAGE	PART NO.	GRID	KEY	PAGE
M801118	1D2	36	30-17	M801335	1C18	1	30-9	M802641	1C22	6	30-13
M801118	1D4	34	30-19	M801348	1C18	5	30-9	M802662	1C2	10	20-33
M801119	1C2	18	20-33	M801355	1C20	3	30-11	M802662	1C6	10	20-37
M801119	1C6	18	20-37	M801356	1C20	4	30-11	M802662	1D2	5	30-17
M801119	1D2	37	30-17	M801357	1C20	5	30-11	M802662	1D4	4	30-19
M801119	1D4	35	30-19	M801448	1H12	1	60-13	M802664	1C2	11	20-33
M801133	1E17	54	50-15	M801517	1J4	1	70-35	M802664	1C6	11	20-37
M801135	1E23	15	50-21	M801517	1J6	1	70-37	M802664	1D2	17	30-17
M801135	1E25	15	50-23	M801732	1B10	29	20-17	M802664	1D4	16	30-19
M801135	1F4	15	50-27	M801741	1A23	14	20-5	M802664	1D5	2	30-20
M801135	1F4	27	50-27	M801741	1C2	3	20-33	M802679	1C4	14	20-35
M801135	2B18	15	92-15	M801744	1C2	8	20-33	M802684	1C4	10	20-35
M801135	2B22	15	92-19	M801744	1D2	7	30-17	M802694	1C12	27	30-3
M801186	1B8	1	20-15	M801746	1C2	9	20-33	M802695	1C12	31	30-3
M801186	1B10	1	20-17	M801746	1D2	6	30-17	M802704	1D13	52	40-7
M801187	1B10	2	20-17	M801756	1B6	26	20-13	M802704	1D15	32	40-9
M801187	1C6	1	20-37	M801757	1B6	27	20-13	M802714	1D13	2	40-7
M801189	1B8	11	20-15	M801758	1B6	31	20-13	M802715	1C4	7	20-35
M801189	1B10	14	20-17	M801759	1B6	30	20-13	M802722	1C18	36	30-9
M801203	1B20	4	20-27	M801760	1B6	32	20-13	M802729	1C18	14	30-9
M801203	1B22	4	20-29	M801762	1B6	11	20-13	M802738	1D20	4	40-14
M801203	1C8	3	20-39	M801763	1B6	13	20-13	M802742	1F22	20	50-45
M801204	1C8	1	20-39	M801763	1K16	4	80-25	M802750	1C14	7	30-5
M801209	1B20	31	20-27	M801770	1C20	26	30-11	M802754	1C14	9	30-5
M801209	1B22	30	20-29	M801771	1C20	27	30-11	M802755	1C14	12	30-5
M801217	1B2	23	20-9	M801772	1C20	34	30-11	M802756	1C14	10	30-5
M801217	1B4	22	20-11	M801773	1C20	35	30-11	M802757	1C14	13	30-5
M801219	1B2	28	20-9	M801798	1J23	6	80-7	M802788	1H6	20	60-7
M801219	1B4	28	20-11	M801800	1J19	7	80-3	M802788	1K4	13	80-13
M801220	1B2	25	20-9	M801800	1J21	6	80-5	M802788	2A22	2	90-5
M801220	1B4	23	20-11	M801801	1J17	4	80-1	M802789	1K4	12	80-13
M801221	1B2	24	20-9	M801801	1J19	8	80-3	M802865	1J23	1	80-7
M801221	1B4	24	20-11	M801801	1J21	8	80-5	M802872	1H6	18	60-7
M801222	1B2	15	20-9	M801822	1C22	7	30-13	M802875	1H2	5	60-3
M801222	1B4	15	20-11	M801825	1J19	6	80-3	M802886	1H8	12	60-9
M801223	1B2	14	20-9	M801825	1J21	7	80-5	M802886	1H10	12	60-11
M801223	1B4	14	20-11	M801826	1J23	7	80-7	M802894	1H8	14	60-9
M801224	1B2	12	20-9	M801916	1G2	1	50-49	M802894	1H10	14	60-11
M801224	1B4	12	20-11	M801935	1J2	11	70-33	M802895	1H8	10	60-9
M801227	1B2	18	20-9	M801954	2B16	9	92-13	M802895	1H10	10	60-11
M801227	1B4	18	20-11	M802001	1E15	14	50-13	M802896	1H8	11	60-9
M801228	1B2	19	20-9	M802001	2B9	14	92-5	M802896	1H10	11	60-11
M801228	1B4	19	20-11	M802018	1J14	6	70-45	M802897	1H8	9	60-9
M801230	1A25	8	20-7	M802200	1D20	3	40-14	M802897	1H10	9	60-11
M801230	1C6	3	20-37	M802219	1G2	17	50-49	M802899	1H8	20	60-9
M801232	1D4	10	30-19	M802219	1G4	1	50-51	M802899	1H10	20	60-11
M801233	1C6	8	20-37	M802255	1B8	26	20-15	M802900	1H8	19	60-9
M801233	1D4	8	30-19	M802255	1B10	24	20-17	M802900	1H10	19	60-11
M801235	1C6	9	20-37	M802255	1B14	2	20-21	M802901	1H8	17	60-9
M801235	1D4	7	30-19	M802255	1B14	17	20-21	M802901	1H10	17	60-11
M801238	1B12	2	20-19	M802595	1B24	33	20-31	M802902	1H8	18	60-9
M801239	1B12	11	20-19	M802596	1B24	34	20-31	M802902	1H10	18	60-11
M801246	1B16	3	20-23	M802606	1D2	20	30-17	M802903	1H8	26	60-9
M801247	1B16	4	20-23	M802606	1D4	19	30-19	M802903	1H10	23	60-11
M801256	1B16	5	20-23	M802609	1D2	10	30-17	M802904	1H8	13	60-9
M801289	1C20	37	30-11	M802610	1D2	11	30-17	M802904	1H10	13	60-11
M801290	1C20	37	30-11	M802612	1D2	3	30-17	M802905	1H8	15	60-9
M801306	1C20	26	30-11	M802614	1B14	6	20-21	M802905	1H10	15	60-11
M801307	1C20	27	30-11	M802614	1B14	23	20-21	M802906	1H8	21	60-9
M801308	1C20	34	30-11	M802617	1B14	13	20-21	M802906	1H10	21	60-11
M801309	1C20	35	30-11	M802618	1B12	16	20-19	M802910	1H2	19	60-3
M801314	1C8	11	20-39	M802620	1B8	21	20-15	M802917	1H2	14	60-3
M801314	1C20	32	30-11	M802621	1B8	23	20-15	M802918	1H4	11	60-5
M801320	1C18	44	30-9	M802622	1B20	18	20-27	M802919	1H4	9	60-5
M801321	1C8	13	20-39	M802623	1B20	19	20-27	M802920	1H4	8	60-5
M801321	1C18	43	30-9	M802627	1B6	9	20-13	M802921	1H4	4	60-5
M801330	1C18	38	30-9	M802635	1C20	39	30-11	M802922	1H4	5	60-5



**NUMERICAL INDEX - CONTINUED**

PART NO.	GRID	KEY	PAGE	PART NO.	GRID	KEY	PAGE	PART NO.	GRID	KEY	PAGE
M802923	1H4	2	60-5	M803331	1D17	45	40-11	M803548	1D17	13	40-11
M802924	1H4	3	60-5	M803332	1D17	46	40-11	M803564	2A24	15	90-7
M802925	1H4	13	60-5	M803333	1D17	43	40-11	M803564	2B2	15	90-9
M802926	1H4	14	60-5	M803334	1D17	42	40-11	M803568	1K20	3	80-29
M802927	1H4	10	60-5	M803335	1D9	5	40-3	M803571	1K20	4	80-29
M802933	1H4	6	60-5	M803335	1D17	41	40-11	M803572	1K20	5	80-29
M802934	1H4	6	60-5	M803336	1D17	38	40-11	M803573	1K20	6	80-29
M802935	1H4	15	60-5	M803336	1K14	32	80-23	M803574	1K20	7	80-29
M802939	1H2	10	60-3	M803337	1D19	22	40-13	M803575	1K20	10	80-29
M802950	1I12	2	70-19	M803338	1D19	20	40-13	M803576	1K20	16	80-29
M802950	1I12	23	70-19	M803339	1D19	23	40-13	M803591	1J12	21	70-43
M802952	1I20	2	70-27	M803340	1D19	21	40-13	M803591	1J12	27	70-43
M802952	2B24	2	92-21	M803341	1D19	19	40-13	M803629	2A22	4	90-5
M802956	1I14	9	70-21	M803344	1D17	6	40-11	M803634	1J4	16	70-35
M802960	1I10	11	70-17	M803347	1D17	10	40-11	M803635	1J4	28	70-35
M802963	1G22	29	55-3	M803350	1D17	1	40-11	M803636	1J4	29	70-35
M802990	1E11	19	50-7	M803350	1D19	49	40-13	M803638	1J4	21	70-35
M802990	1E21	6	50-19	M803351	1K8	40	80-17	M803639	1J4	25	70-35
M802996	1E9	6	50-5	M803354	1K8	10	80-17	M803640	1I24	1	70-31
M802997	1E21	42	50-19	M803357	1K8	36	80-17	M803641	1I24	23	70-31
M802997	1G22	31	55-3	M803366	1K8	17	80-17	M803642	1J4	30	70-35
M803022	1E15	7	50-13	M803366	1K12	10	80-21	M803643	1I24	17	70-31
M803022	1H22	8	70-5	M803402	1K14	4	80-23	M803644	1I24	13	70-31
M803022	1I10	18	70-17	M803409	1K8	4	80-17	M803644	1J2	8	70-33
M803047	1F4	24	50-27	M803410	1K8	29	80-17	M803668	1I24	11	70-31
M803047	2B22	20	92-19	M803411	1K14	21	80-23	M803677	1J2	30	70-33
M803048	1F4	25	50-27	M803412	1K12	12	80-21	M803678	1J2	31	70-33
M803048	2B22	21	92-19	M803416	1K14	11	80-23	M803678	1K20	26	80-29
M803049	1F4	23	50-27	M803429	1D17	39	40-11	M803679	1I22	19	70-29
M803049	2B22	19	92-19	M803429	1K8	25	80-17	M803679	1J2	29	70-33
M803050	1E25	6	50-23	M803429	1K12	1	80-21	M803679	1K20	18	80-29
M803050	1F4	10	50-27	M803429	1K14	31	80-23	M803680	1I24	5	70-31
M803050	2B22	10	92-19	M803430	1K12	3	80-21	M803681	1I24	15	70-31
M803053	1E23	4	50-21	M803442	1K12	13	80-21	M803681	1J2	8	70-33
M803053	1E25	4	50-23	M803443	1K10	13	80-19	M803682	1G22	19	55-3
M803053	2B18	4	92-15	M803448	1K10	11	80-19	M803694	1F24	21	50-47
M803103	1E19	1	50-17	M803452	1K10	1	80-19	M803694	1G24	38	55-5
M803114	1E13	32	50-9	M803452	1K14	23	80-23	M803702	1G24	12	55-5
M803114	1E19	15	50-17	M803454	1K8	37	80-17	M803703	1G24	13	55-5
M803114	1E21	26	50-19	M803455	1K8	5	80-17	M803717	1G24	8	55-5
M803114	1F24	24	50-47	M803455	1K14	6	80-23	M803718	1G22	21	55-3
M803206	1I16	13	70-23	M803458	1C14	11	30-5	M803735	1G22	10	55-3
M803240	1H22	24	70-5	M803458	1K8	34	80-17	M803742	1G22	23	55-3
M803241	1H22	19	70-5	M803459	1K8	3	80-17	M803779	1E15	19	50-13
M803242	1H22	14	70-5	M803462	1K12	4	80-21	M803780	2A24	10	90-7
M803245	1I6	1	70-13	M803465	2A24	4	90-7	M803780	2B2	10	90-9
M803245	1I8	48	70-15	M803465	2B2	4	90-9	M803795	1D17	14	40-11
M803253	1I6	26	70-13	M803470	2A24	36	90-7	M803799	1D9	7	40-3
M803253	1I8	35	70-15	M803470	2B2	36	90-9	M803800	1D9	8	40-3
M803261	1H22	44	70-5	M803480	2A24	7	90-7	M803801	1D9	10	40-3
M803280	1I18	3	70-25	M803480	2B2	7	90-9	M803802	1D9	9	40-3
M803280	1I20	7	70-27	M803481	2A24	12	90-7	M803803	1D9	12	40-3
M803280	2B24	7	92-21	M803481	2B2	12	90-9	M803804	1D9	2	40-3
M803291	1D17	32	40-11	M803482	2A24	11	90-7	M803805	1D9	11	40-3
M803300	1D19	30	40-13	M803482	2B2	11	90-9	M803806	1D9	6	40-3
M803308	1D17	19	40-11	M803483	2A24	2	90-7	M803807	1D9	3	40-3
M803309	1D17	26	40-11	M803483	2B2	2	90-9	M803808	1D9	1	40-3
M803314	1D20	8	40-14	M803502	1K16	6	80-25	M803817	1F24	..	50-47
M803320	1D19	44	40-13	M803502	2C2	6	92-23	M803817	1H14	6	60-15
M803322	1D9	21	40-3	M803506	1K18	6	80-27	M803818	1D9	4	40-3
M803323	1D9	15	40-3	M803507	1K18	4	80-27	M803823	1K8	2	80-17
M803325	1D9	14	40-3	M803530	1K16	7	80-25	M803827	1K14	18	80-23
M803326	1D19	43A	40-13	M803530	2C2	7	92-23	M803867	1D4	31	30-19
M803326	1D19	44	40-13	M803535	1K16	2	80-25	M803868	1D2	31	30-17
M803327	1D19	2	40-13	M803535	1K20	23	80-29	M803875	1K10	15	80-19
M803329	1D17	44	40-11	M803535	2C2	2	92-23	M803876	1K10	5	80-19
M803330	1D17	47	40-11	M803541	1K18	5	80-27	M803881	1K10	7	80-19

**NUMERICAL INDEX - CONTINUED**

PART NO.	GRID	KEY	PAGE	PART NO.	GRID	KEY	PAGE	PART NO.	GRID	KEY	PAGE
M803882	1K10	14	80 - 19	M804085	1K4	14	80 - 13	M804195	1G8	27	50 - 55
M803883	1K10	6	80 - 19	M804086	1K4	15	80 - 13	M804196	1G6	2	50 - 53
M803885	1K10	4	80 - 19	M804113	1J25	5	80 - 9	M804197	1G15	17	50 - 63
M803886	1K10	10	80 - 19	M804116	1K4	10	80 - 13	M804198	1G15	10	50 - 63
M803887	1K10	4	80 - 19	M804122	1K2	24	80 - 11	M804199	1G15	15	50 - 63
M803897	1K10	2	80 - 19	M804123	1G13	1	50 - 61	M804200	1G15	9	50 - 63
M803905	1K10	9	80 - 19	M804124	1G13	18	50 - 61	M804201	1G6	10	50 - 53
M803906	1K14	19	80 - 23	M804125	1G8	1	50 - 55	M804202	1G15	8	50 - 63
M803908	1K10	8	80 - 19	M804126	1G13	7	50 - 61	M804203	1G6	5	50 - 53
M803909	1K14	35	80 - 23	M804127	1G13	5	50 - 61	M804206	1G15	7	50 - 63
M803911	1K14	34	80 - 23	M804129	1G8	16	50 - 55	M804209	1G2	14	50 - 49
M803921	1K8	28	80 - 17	M804130	1G8	15	50 - 55	M804209	1G4	15	50 - 51
M803922	1K18	21	80 - 27	M804131	1K2	2	80 - 11	M804215	1J21	3	80 - 5
M803951	1K16	8	80 - 25	M804132	1K2	6	80 - 11	M804216	1J21	2	80 - 5
M803952	1K16	8	80 - 25	M804133	1G9	9	50 - 56	M804217	1J21	3	80 - 5
M803955	1K16	10	80 - 25	M804134	1G9	8	50 - 56	M804218	1J21	3	80 - 5
M803956	1K18	15	80 - 27	M804135	1J25	6	80 - 9	M804219	1H6	10	60 - 7
M803957	1K16	10	80 - 25	M804136	1G9	12	50 - 56	M804220	1H6	15	60 - 7
M803957	2C2	10	92 - 23	M804137	1K2	5	80 - 11	M804221	1H6	8	60 - 7
M803958	1K6	2	80 - 15	M804138	1J25	6	80 - 9	M804222	1H6	14	60 - 7
M803960	1K18	15	80 - 27	M804139	1G13	15	50 - 61	M804223	1H6	17	60 - 7
M803961	2A24	28	90 - 7	M804140	1J25	6	80 - 9	M804224	1H6	5	60 - 7
M803961	2B2	28	90 - 9	M804141	1J25	11	80 - 9	M804225	1H6	9	60 - 7
M803989	2A24	27	90 - 7	M804142	1J25	11	80 - 9	M804226	1H6	19	60 - 7
M803989	2B2	27	90 - 9	M804143	1G6	1	50 - 53	M804228	1H12	3	60 - 13
M803997	1F22	22	50 - 45	M804143	1H20	12	70 - 3	M804232	1H12	4	60 - 13
M804001	1F22	23	50 - 45	M804143	1K2	22	80 - 11	M804233	1H12	7	60 - 13
M804009	2A24	22	90 - 7	M804144	1J19	3	80 - 3	M804234	1H8	24	60 - 9
M804009	2B2	22	90 - 9	M804145	1J19	2	80 - 3	M804235	1H8	5	60 - 9
M804010	2A24	25	90 - 7	M804148	1G19	18	50 - 67	M804235	1H10	5	60 - 11
M804011	2A24	21	90 - 7	M804150	1G17	37	50 - 65	M804236	1H8	4	60 - 9
M804011	2B2	21	90 - 9	M804151	1G17	33	50 - 65	M804236	1H10	4	60 - 11
M804015	2A24	31	90 - 7	M804152	1G19	25	50 - 67	M804247	1H8	26	60 - 9
M804015	2B2	31	90 - 9	M804153	1G4	2	50 - 51	M804247	1H10	23	60 - 11
M804016	2A24	32	90 - 7	M804154	1G2	18	50 - 49	M804254	1I14	1	70 - 21
M804016	2B2	32	90 - 9	M804154	1G4	17	50 - 51	M804255	1I14	1	70 - 21
M804017	2A24	19	90 - 7	M804158	1G2	5	50 - 49	M804256	1I20	21	70 - 27
M804017	2B2	19	90 - 9	M804159	1G4	6	50 - 51	M804256	2B24	21	92 - 21
M804018	2A24	20	90 - 7	M804160	1G2	2	50 - 49	M804259	1I14	1	70 - 21
M804018	2B2	20	90 - 9	M804162	1G17	6	50 - 65	M804260	1I14	1	70 - 21
M804019	2A24	33	90 - 7	M804163	1G19	22	50 - 67	M804267	1F22	4	50 - 45
M804019	2B2	33	90 - 9	M804164	1G19	4	50 - 67	M804268	1A23	3	20 - 5
M804020	2A18	2	90 - 1	M804165	1G19	1	50 - 67	M804268	1A25	7	20 - 7
M804021	1K8	28	80 - 17	M804166	1G19	15	50 - 67	M804274	1D19	15	40 - 13
M804022	1K8	24	80 - 17	M804167	1G17	30	50 - 65	M804275	1D17	24	40 - 11
M804025	1F22	13	50 - 45	M804167	1G19	8	50 - 67	M804277	1D9	24	40 - 3
M804027	1F22	14	50 - 45	M804171	1G19	20	50 - 67	M804278	1D20	9	40 - 14
M804043	1C16	11	30 - 7	M804172	1G17	12	50 - 65	M804285	1D19	39	40 - 13
M804043	2B7	11	92 - 3	M804174	1G17	9	50 - 65	M804288	1D9	25	40 - 3
M804044	1C16	10	30 - 7	M804175	1G19	19	50 - 67	M804304	1I24	19	70 - 31
M804044	2B7	10	92 - 3	M804176	1G11	8	50 - 59	M804308	1D9	23	40 - 3
M804045	1C16	13	30 - 7	M804179	1G15	26	50 - 63	M804310	1K10	12	80 - 19
M804045	2B7	13	92 - 3	M804180	1G15	3	50 - 63	M804311	1K14	7	80 - 23
M804046	1C16	3	30 - 7	M804181	1G11	9	50 - 59	M804314	1K12	2	80 - 21
M804046	1C16	4	30 - 7	M804182	1G6	21	50 - 53	M804333	1B8	2	20 - 15
M804046	2B7	3	92 - 3	M804183	1G15	14	50 - 63	M804333	1C2	1	20 - 33
M804046	2B7	4	92 - 3	M804184	1G11	1	50 - 59	M804334	1B10	2	20 - 17
M804047	1C16	5	30 - 7	M804185	1G11	2	50 - 59	M804334	1C6	1	20 - 37
M804048	1C16	15	30 - 7	M804186	1G15	22	50 - 63	M804335	1B20	1	20 - 27
M804049	1C16	15	30 - 7	M804187	1G6	4	50 - 53	M804335	1B22	1	20 - 29
M804049	2B7	15	92 - 3	M804188	1G15	12	50 - 63	M804336	1B20	7	20 - 27
M804050	1C16	16	30 - 7	M804189	1G15	20	50 - 63	M804337	1B22	7	20 - 29
M804051	1C16	16	30 - 7	M804190	1G8	28	50 - 55	M804338	1B22	8	20 - 29
M804051	2B7	16	92 - 3	M804191	1G11	7	50 - 59	M804346	1D2	32	30 - 17
M804052	1C16	7	30 - 7	M804192	1G11	5	50 - 59	M804346	1D4	30	30 - 19
M804052	2B7	7	92 - 3	M804193	1G11	11	50 - 59	M804348	2B24	11	92 - 21
M804060	1K8	9	80 - 17	M804194	1G11	6	50 - 59	M804349	1D2	21	30 - 17

**NUMERICAL INDEX - CONTINUED**

PART NO.	GRID	KEY	PAGE	PART NO.	GRID	KEY	PAGE	PART NO.	GRID	KEY	PAGE
M804349	1D4	20	30 - 19	M804457	1E11	23	50 - 7	M804512	1E23	16	50 - 21
M804350	1D2	14	30 - 17	M804460	1E5	8	50 - 3	M804512	1E25	17	50 - 23
M804351	1D4	12	30 - 19	M804460	1E7	8	50 - 3B	M804512	2B18	16	92 - 15
M804352	1D2	16	30 - 17	M804473	1E9	11	50 - 5	M804513	1E23	9	50 - 21
M804352	1D4	14	30 - 19	M804473	1H14	11	60 - 15	M804513	1E25	9	50 - 23
M804353	1D4	5	30 - 19	M804474	1I6	19	70 - 13	M804513	2B18	9	92 - 15
M804355	1B14	21	20 - 21	M804476	1E17	41	50 - 15	M804514	1E13	11	50 - 9
M804359	1B14	30	20 - 21	M804476	2B11	41	92 - 7	M804515	1E13	26	50 - 9
M804364	1B18	1	20 - 25	M804477	1E15	17	50 - 13	M804519	1F4	16	50 - 27
M804365	1B18	7	20 - 25	M804478	1E17	46	50 - 15	M804519	2B22	16	92 - 19
M804368	1B18	2	20 - 25	M804479	1E17	44	50 - 15	M804520	1F4	20	50 - 27
M804370	1B18	13	20 - 25	M804479	2B11	44	92 - 7	M804521	1F4	17	50 - 27
M804370	1B18	18	20 - 25	M804480	1E15	24	50 - 13	M804521	1F4	21	50 - 27
M804371	1B18	14	20 - 25	M804480	2B9	24	92 - 5	M804521	2B22	17	92 - 19
M804371	1B18	17	20 - 25	M804481	1E15	34	50 - 13	M804525	1F4	13	50 - 27
M804373	1B10	27	20 - 17	M804481	2B9	34	92 - 5	M804526	1F4	12	50 - 27
M804378	1B6	11	20 - 13	M804482	1E15	35	50 - 13	M804526	2B22	12	92 - 19
M804379	1B6	13	20 - 13	M804482	2B11	36	92 - 7	M804527	1F4	8	50 - 27
M804380	1C4	8	20 - 35	M804483	1E15	30	50 - 13	M804527	2B22	8	92 - 19
M804381	1C4	23	20 - 35	M804483	2B9	30	92 - 5	M804528	1F4	19	50 - 27
M804382	1C4	9	20 - 35	M804484	1E17	55	50 - 15	M804529	1F4	14	50 - 27
M804383	1C4	8	20 - 35	M804484	2B11	51	92 - 7	M804530	1F4	22	50 - 27
M804384	1C4	23	20 - 35	M804487	1E15	15	50 - 13	M804531	1F4	11	50 - 27
M804385	1C4	18	20 - 35	M804487	2B9	15	92 - 5	M804531	2B22	11	92 - 19
M804386	1C4	19	20 - 35	M804488	1E17	38	50 - 15	M804532	1F4	7	50 - 27
M804387	1C4	21	20 - 35	M804488	2B11	38	92 - 7	M804532	2B22	7	92 - 19
M804388	1C4	21	20 - 35	M804489	1E15	10	50 - 13	M804533	1F4	2	50 - 27
M804389	1C4	2	20 - 35	M804489	2B9	10	92 - 5	M804533	2B22	2	92 - 19
M804390	1C4	3	20 - 35	M804490	1E15	33	50 - 13	M804534	1F4	4	50 - 27
M804391	1C4	3	20 - 35	M804490	2B9	33	92 - 5	M804535	1F2	18	50 - 25
M804392	1C4	15	20 - 35	M804491	1E17	50	50 - 15	M804535	2B20	18	92 - 17
M804393	1C4	15	20 - 35	M804492	1E17	61	50 - 15	M804536	1F2	17	50 - 25
M804397	1E5	14	50 - 3	M804492	2B11	37	92 - 7	M804536	2B20	17	92 - 17
M804397	1E7	14	50 - 3B	M804493	1E15	21	50 - 13	M804537	1F2	19	50 - 25
M804399	1C12	25	30 - 3	M804493	2B9	21	92 - 5	M804537	2B20	19	92 - 17
M804400	1C12	15	30 - 3	M804494	1E17	42	50 - 15	M804538	1F2	16	50 - 25
M804404	1C18	38	30 - 9	M804495	1E17	53	50 - 15	M804538	2B20	16	92 - 17
M804405	1C24	6	30 - 15	M804496	1E15	3	50 - 13	M804539	1F2	20	50 - 25
M804406	1C24	7	30 - 15	M804496	2B9	3	92 - 5	M804539	2B20	20	92 - 17
M804407	1D13	10	40 - 7	M804497	1F2	2	50 - 25	M804540	1F6	3	50 - 29
M804408	1D13	12	40 - 7	M804497	2B20	2	92 - 17	M804541	1F6	5	50 - 29
M804409	1D13	9	40 - 7	M804498	1F2	5	50 - 25	M804542	1F6	15	50 - 29
M804410	1D13	54	40 - 7	M804498	2B20	5	92 - 17	M804543	1F6	11	50 - 29
M804410	1D13	..	40 - 7	M804499	1F2	8	50 - 25	M804544	1F6	14	50 - 29
M804411	1D13	53	40 - 7	M804499	2B20	8	92 - 17	M804545	1E13	3	50 - 9
M804412	1D13	4	40 - 7	M804500	1F2	7	50 - 25	M804546	1E13	4	50 - 9
M804413	1D13	51	40 - 7	M804501	1F2	11	50 - 25	M804547	1E13	8A	50 - 9
M804414	1D13	1	40 - 7	M804501	2B20	11	92 - 17	M804548	1E13	9A	50 - 9
M804415	1D13	7	40 - 7	M804502	1F2	14	50 - 25	M804549	1E13	18	50 - 9
M804420	2A22	7	90 - 5	M804502	2B20	14	92 - 17	M804550	1E13	28	50 - 9
M804433	2A24	34	90 - 7	M804503	1F2	9	50 - 25	M804553	1E13	5	50 - 9
M804433	2B2	34	90 - 9	M804503	2B20	9	92 - 17	M804554	1E13	1	50 - 9
M804448	1E5	6	50 - 3	M804504	1E25	18	50 - 23	M804555	1E13	14	50 - 9
M804448	1E7	6	50 - 3B	M804505	1E25	3	50 - 23	M804556	1E13	20	50 - 9
M804449	1E5	4	50 - 3	M804506	1E25	16	50 - 23	M804557	1E13	19	50 - 9
M804449	1E7	4	50 - 3B	M804507	1E25	8	50 - 23	M804558	1E13	13	50 - 9
M804450	1E5	11	50 - 3	M804508	1E23	11	50 - 21	M804559	1E13	10	50 - 9
M804450	1E7	11	50 - 3B	M804508	1E25	11	50 - 23	M804560	1E13	22	50 - 9
M804451	1E5	19	50 - 3	M804509	1E23	2	50 - 21	M804561	1E13	21	50 - 9
M804451	1E7	19	50 - 3B	M804509	1E25	2	50 - 23	M804562	1E21	36	50 - 19
M804452	1E5	22	50 - 3	M804509	2B18	2	92 - 15	M804563	1E21	39	50 - 19
M804452	1E7	22	50 - 3B	M804510	1E25	7	50 - 23	M804564	1E21	5	50 - 19
M804453	1E5	24	50 - 3	M804510	1F4	9	50 - 27	M804577	1E21	37	50 - 19
M804453	1E7	24	50 - 3B	M804510	2B22	9	92 - 19	M804578	1E21	34	50 - 19
M804454	1E11	1	50 - 7	M804511	1E23	5	50 - 21	M804582	1E21	30	50 - 19
M804455	1E11	6	50 - 7	M804511	1E25	5	50 - 23	M804586	1E21	28	50 - 19
M804456	1E11	18	50 - 7	M804511	2B18	5	92 - 15	M804588	1E21	31	50 - 19

**NUMERICAL INDEX - CONTINUED**

PART NO.	GRID	KEY	PAGE	PART NO.	GRID	KEY	PAGE	PART NO.	GRID	KEY	PAGE
M804589	1E21	1	50-19	M804674	1F20	8	50-43	M804762	1I2	12	70-9
M804594	1E19	11	50-17	M804674	1F20	12	50-43	M804763	1H24	21	70-7
M804601	1E19	9	50-17	M804675	1F18	7	50-41	M804763	1I2	32	70-9
M804603	1E19	12	50-17	M804676	1F18	6	50-41	M804764	1H24	17	70-7
M804604	1E19	3	50-17	M804677	1F20	10	50-43	M804764	1I2	28	70-9
M804604	1G22	11	55-3	M804678	1F18	6	50-41	M804767	1H24	25	70-7
M804606	1F24	11	50-47	M804679	1F18	4	50-41	M804767	1I2	22	70-9
M804607	1F24	3	50-47	M804680	1F18	2	50-41	M804768	1H24	28	70-7
M804608	1F24	8	50-47	M804681	1F18	2	50-41	M804768	1I2	23	70-9
M804609	1F24	6	50-47	M804682	1F20	3	50-43	M804769	1H24	29	70-7
M804610	1F24	5	50-47	M804683	1F20	7	50-43	M804769	1I2	24	70-9
M804610	1G24	17	55-5	M804684	1F18	8	50-41	M804770	1H24	22	70-7
M804611	1F24	9	50-47	M804685	1F14	20	50-37	M804770	1H24	32	70-7
M804612	1F24	10	50-47	M804686	1F14	16	50-37	M804770	1I2	20	70-9
M804613	1F24	13	50-47	M804687	1F16	17	50-39	M804771	1H24	31	70-7
M804619	1F24	14	50-47	M804688	1F14	21	50-37	M804771	1I2	26	70-9
M804620	1F8	1	50-31	M804688	1F16	20	50-39	M804772	1H24	15	70-7
M804620	1F10	1	50-33	M804689	1F14	23	50-37	M804772	1I2	18	70-9
M804625	1F8	10	50-31	M804689	1F16	22	50-39	M804773	1H24	16	70-7
M804626	1F8	8	50-31	M804690	1F14	22	50-37	M804773	1I2	19	70-9
M804627	1F10	10	50-33	M804690	1F16	21	50-39	M804774	1H24	39	70-7
M804628	1F8	7	50-31	M804692	1J17	4	80-1	M804774	1I2	39	70-9
M804628	1F10	10	50-33	M804692	1J21	4	80-5	M804775	1H24	37	70-7
M804629	1F10	11	50-33	M804693	1J19	7	80-3	M804775	1I2	37	70-9
M804630	1F10	9	50-33	M804693	1J21	6	80-5	M804776	1H24	38	70-7
M804631	1F10	9	50-33	M804694	1J19	6	80-3	M804776	1I2	38	70-9
M804632	1F10	8	50-33	M804694	1J21	7	80-5	M804777	1H22	31	70-5
M804633	1F10	8	50-33	M804695	1H16	4	60-17	M804778	1H22	26	70-5
M804634	1F8	5	50-31	M804696	1H16	3	60-17	M804788	1I6	18	70-13
M804635	1F8	9	50-31	M804697	1H16	12	60-17	M804789	1I6	22	70-13
M804636	1F10	12	50-33	M804698	1H16	2	60-17	M804792	1I8	2	70-15
M804637	1F10	12	50-33	M804699	1H16	5	60-17	M804800	1I6	23	70-13
M804638	1F8	4	50-31	M804700	1H16	1	60-17	M804800	1I8	27	70-15
M804639	1F10	5	50-33	M804701	1H16	13	60-17	M804803	1I8	38	70-15
M804640	1F8	11	50-31	M804702	1H16	8	60-17	M804810	1I8	50	70-15
M804641	1F8	13	50-31	M804705	1H16	9	60-17	M804815	1I6	30	70-13
M804641	1F16	19	50-39	M804706	1H16	9	60-17	M804815	1I8	36	70-15
M804642	1F8	3	50-31	M804707	1H16	6	60-17	M804816	1I6	4	70-13
M804643	1F8	16	50-31	M804708	1H14	5	60-15	M804837	1I20	11	70-27
M804644	1F10	17	50-33	M804721	1H14	19	60-15	M804841	1I18	5	70-25
M804648	1F14	7	50-37	M804723	1I16	8	70-23	M804841	1I20	9	70-27
M804649	1F14	7	50-37	M804729	1H22	13	70-5	M804841	2B24	9	92-21
M804650	1F16	8	50-39	M804735	1H22	40	70-5	M804845	1I18	1	70-25
M804651	1F14	25	50-37	M804736	1H22	38	70-5	M804846	1I18	15	70-25
M804651	1F16	2	50-39	M804738	1I10	7	70-17	M804849	1I20	6	70-27
M804652	1F14	1	50-37	M804740	1H22	41	70-5	M804849	2B24	6	92-21
M804652	1F16	1	50-39	M804741	1H22	39	70-5	M804855	1K20	1	80-29
M804653	1F16	15	50-39	M804742	1H22	34	70-5	M804856	1K20	2	80-29
M804654	1F16	9	50-39	M804743	1I10	17	70-17	M804857	1K20	1	80-29
M804655	1F16	11	50-39	M804750	1H24	7	70-7	M804858	1K20	2	80-29
M804656	1F14	24	50-37	M804750	1I2	6	70-9	M804859	1K20	1	80-29
M804656	1F16	3	50-39	M804751	1H24	8	70-7	M804860	1K20	2	80-29
M804657	1F12	1	50-35	M804751	1I2	7	70-9	M804887	1H20	8	70-3
M804658	1F12	1	50-35	M804753	1H24	5	70-7	M804888	1H20	6	70-3
M804659	1F12	7	50-35	M804753	1I2	4	70-9	M804889	1G24	2	55-5
M804662	1F18	1	50-41	M804754	1H24	3	70-7	M804890	1G24	20	55-5
M804663	1F18	9	50-41	M804754	1I2	2	70-9	M804891	1G24	31	55-5
M804664	1F18	1	50-41	M804755	1H24	19	70-7	M804892	1G24	30	55-5
M804665	1F18	9	50-41	M804755	1I2	30	70-9	M804896	1G24	53	55-5
M804666	1F20	1	50-43	M804756	1H24	20	70-7	M804897	1G24	33	55-5
M804667	1F20	11	50-43	M804756	1I2	31	70-9	M804898	1G24	6	55-5
M804668	1F18	5	50-41	M804757	1H24	18	70-7	M804899	1G24	46	55-5
M804669	1F18	5	50-41	M804757	1I2	29	70-9	M804900	1G24	26	55-5
M804670	1F20	9	50-43	M804759	1I2	33	70-9	M804901	1G24	27	55-5
M804671	1F18	3	50-41	M804761	1H24	13	70-7	M804902	1G24	18	55-5
M804672	1F18	3	50-41	M804761	1I2	11	70-9	M804903	1G24	25	55-5
M804673	1F20	5	50-43	M804762	1H24	12	70-7	M804904	1G24	9	55-5

**NUMERICAL INDEX - CONTINUED**

PART NO.	GRID	KEY	PAGE	PART NO.	GRID	KEY	PAGE	PART NO.	GRID	KEY	PAGE
M804905	1G24	10	55-5	M805123	1G22	49	55-3	M805711	1C8	2	20-39
M804906	1G24	19	55-5	M805132	1C16	8	30-7	M805736	1G6	20	50-53
M804907	1G24	56	55-5	M805132	2B7	8	92-3	M805785	1G15	19	50-63
M804908	1G24	14	55-5	M805158	2A24	4	90-7	M805795	1F24	3	50-47
M804916	1G24	43	55-5	M805158	2B2	4	90-9	M805795	1F24	8	50-47
M804917	1G24	45	55-5	M805159	1I10	14	70-17	M805795	1F24	9	50-47
M804918	1G24	41	55-5	M805166	1I2	13	70-9	M805796	1F24	3	50-47
M804919	1G24	36	55-5	M805167	1I2	14	70-9	M805796	1F24	8	50-47
M804920	1G22	37	55-3	M805168	1I2	16	70-9	M805796	1F24	9	50-47
M804923	1G22	35	55-3	M805169	1I2	15	70-9	M805797	1F24	3	50-47
M804928	1G22	45	55-3	M805170	1I8	18	70-15	M805797	1F24	8	50-47
M804931	1G22	40	55-3	M805178	1I8	4	70-15	M805797	1F24	9	50-47
M804934	1G22	27	55-3	M805187	1I8	17	70-15	M805800	1H14	1A	60-15
M804937	1G22	22	55-3	M805188	1I8	16	70-15	M805800	1H14	7A	60-15
M804938	1G22	34	55-3	M805193	1I8	23	70-15	M805800	1H14	24	60-15
M804943	1I12	5	70-19	M805194	1I8	24	70-15	M805806	1D19	50	40-13
M804944	1I12	16	70-19	M805195	1I8	41	70-15	M805811	1H14	1A	60-15
M804966	1I22	20	70-29	M805198	1I10	24	70-17	M805811	1H14	7A	60-15
M804966	1J2	27	70-33	M805199	1I10	23	70-17	M805814	1C14	7	30-5
M804967	1J2	16	70-33	M805206	1I10	21	70-17	M805828	1D22	3	40-16
M804968	1J2	15	70-33	M805207	1I10	27	70-17	M805829	1B20	15	20-27
M804969	1D11	10	40-5	M805208	1I10	3	70-17	M805829	1B22	16	20-29
M804970	1G6	17	50-53	M805208	1J14	3	70-45	M805829	1C8	7	20-39
M804971	1E15	23	50-13	M805209	1I10	1	70-17	M805830	1B20	27	20-27
M804971	2B9	23	92-5	M805210	1E19	21	50-17	M805830	1B22	26	20-29
M804972	1E23	7	50-21	M805211	1I10	22	70-17	M805830	1C8	8	20-39
M804972	2B18	7	92-15	M805215	1I8	42	70-15	M805833	1C2	8	20-33
M804973	1E23	18	50-21	M805223	1K20	12	80-29	M805833	1D2	7	30-17
M804974	1E23	3	50-21	M805224	1K20	8	80-29	M805834	1B6	3	20-13
M804974	2B18	3	92-15	M805225	1K20	29	80-29	M805834	1C2	15	20-33
M804975	1E23	17	50-21	M805235	1I8	17	70-15	M805834	1C6	15	20-37
M804975	2B18	17	92-15	M805253	1E5	1	50-3	M805835	1B6	5	20-13
M804976	1E23	8	50-21	M805253	1E7	1	50-3B	M805835	1C2	16	20-33
M804976	2B18	8	92-15	M805253	1F2	21	50-25	M805835	1C6	16	20-37
M804977	2A22	7	90-5	M805253	2B20	21	92-17	M805836	1C2	18	20-33
M804978	1G17	35	50-65	M805267	1I18	15	70-25	M805836	1C6	18	20-37
M804979	1I18	11	70-25	M805267	1J8	5	70-39	M805836	1D2	37	30-17
M804979	1I20	15	70-27	M805267	2B24	24	92-21	M805836	1D4	35	30-19
M804979	2B24	15	92-21	M805278	1B20	4	20-27	M805837	1C2	1	20-33
M804987	1G19	31	50-67	M805278	1B22	4	20-29	M805840	1B12	14	20-19
M805006	2B7	5	92-3	M805278	1C8	3	20-39	M805843	1B6	15	20-13
M805013	1B6	12	20-13	M805279	1D20	9	40-14	M805843	1B6	20	20-13
M805020	2A24	5	90-7	M805280	1D17	4	40-11	M805843	1B6	23	20-13
M805020	2B2	5	90-9	M805286	1K6	2	80-15	M805843	1B6	24	20-13
M805025	1J8	18	70-39	M805459	1H14	2	60-15	M805843	1B6	25	20-13
M805029	1E5	6	50-3	M805471	1D11	..	40-5	M805844	1B6	15	20-13
M805029	1E7	6	50-3B	M805472	1D11	..	40-5	M805844	1B6	30	20-13
M805036	1K14	1	80-23	M805473	1D11	..	40-5	M805849	1B10	2	20-17
M805037	1K14	33	80-23	M805524	1D19	43B	40-13	M805849	1C6	1	20-37
M805040	1E9	9	50-5	M805524	1H14	1A	60-15	M805850	1B10	2	20-17
M805040	1H14	14	60-15	M805524	1H14	7A	60-15	M805850	1C6	1	20-37
M805045	1E15	17	50-13	M805672	1F16	9	50-39	M805851	1C6	8	20-37
M805045	2B9	17	92-5	M805674	1D11	1	40-5	M805851	1D4	8	30-19
M805047	1H22	49	70-5	M805696	1B24	3	20-31	M805852	1K20	28	80-29
M805048	1H22	50	70-5	M805696	1B24	17	20-31	M805864	1G22	39	55-3
M805064	1F12	14	50-35	M805696	1C8	5	20-39	M805921	1J25	2	80-9
M805078	1E17	46	50-15	M805707	1F16	25	50-39	M805925	1J10	1	70-41
M805078	2B11	46	92-7	M805708	1F16	27	50-39	M805975	1D2	16	30-17
M805080	1K23	6	80-32	M805709	1F16	26	50-39	M805975	1D4	14	30-19
M805087	1G22	13	55-3	M805710	1A23	11	20-5	M805976	1D4	12	30-19
M805096	1G22	52	55-3	M805710	1A25	5	20-7	M805985	1H4	16	60-5
M805100	1I20	14	70-27	M805710	1B24	24	20-31	M806018	1D15	13	40-9
M805100	2B24	14	92-21	M805711	1A23	12	20-5	M806167	2B22	14	92-19
M805108	1J2	32	70-33	M805711	1A25	6	20-7	M806183	2B12	4	92-8
M805115	1K10	3	80-19	M805711	1B24	23	20-31	M806244	1D15	10	40-9
M805121	1D9	26	40-3	M805711	1C2	2	20-33	M806245	1D15	11	40-9
M805122	1D9	28	40-3	M805711	1C6	2	20-37	M806252	1D15	18	40-9

## NUMERICAL INDEX - CONTINUED

PART NO.	GRID	KEY	PAGE	PART NO.	GRID	KEY	PAGE	PART NO.	GRID	KEY	PAGE
M806253	1D15	16	40-9	M806732	1B4	30	20-11	M90604	1K20	25	80-29
M806254	1D15	30	40-9	M806732	1C2	6	20-33	M92715	1D5	3	30-20
M806255	1D15	1	40-9	M806732	1C6	6	20-37	M93008	1J19	5	80-3
M806256	1D15	15	40-9	M806738	1B20	20	20-27	M93008	1J21	5	80-5
M806257	1D15	31	40-9	M806738	1B22	18B	20-29	M93008	1J23	5	80-7
M806258	1D15	3	40-9	M806758	1K10	13	80-19	M93008	1K20	27	80-29
M806259	1D15	19	40-9	M806764	1E11	1	50-7	M93620	1I12	6	70-19
M806260	1D15	5	40-9	M806822	1F4	11	50-27	M94441	1G22	28	55-3
M806261	1D15	4	40-9	M806822	1F4	12	50-27	M94750	2B3	2	90-10
M806262	1D15	6	40-9	M806822	1F4	13	50-27	M94751	2B3	3	90-10
M806359	2B14	1	92-11	M806822	2B22	11	92-19	M95542	2A18	5	90-1
M806360	2C2	8	92-23	M806822	2B22	12	92-19	M96710	1I22	11	70-29
M806362	2B14	25	92-11	M806822	2B22	13	92-19	N10011	1D21	13	40-15
M806363	2B14	26	92-11	M806824	1F24	3	50-47	RBX00-2277	1D4	37	30-19
M806364	2B14	9	92-11	M806824	1F24	8	50-47	RE19445	2A20	45	90-3
M806365	2B14	10	92-11	M806824	1F24	9	50-47	RE27284	1J8	17	70-39
M806369	2B14	4	92-11	M806825	1E21	28	50-19	R21551	2A20	31	90-3
M806370	2B14	12	92-11	M806833	2B2	25	90-9	R26375	1I12	11	70-19
M806371	2B14	13	92-11	M806840	1B8	27	20-15	R26375	1I22	13	70-29
M806377	2B14	24	92-11	M806840	1B10	31	20-17	R26375	1J2	37	70-33
M806378	2B12	2	92-8	M806845	1I10	26	70-17	R26448	1J6	6	70-37
M806379	2B12	3	92-8	M806847	2A24	37	90-7	R26552	1E13	24	50-9
M806380	2B12	5	92-8	M806847	2B2	37	90-9	R26552	1E21	33	50-19
M806381	2B20	7	92-17	M85522	1H20	18	70-3	R26552	2B14	23	92-11
M806382	2B18	13	92-15	M85540	1I22	22	70-29	R34557	1C9	2	20-40
M806383	2B18	11	92-15	M87801	1B8	15	20-15	R44302	1C9	..	20-40
M806384	2B18	18	92-15	M87801	1B10	10	20-17	R44302	1C16	17	30-7
M806385	2B18	19	92-15	M87820	1B6	22	20-13	R44302	1D17	15	40-11
M806386	2B18	20	92-15	M87820	1C18	12	30-9	R44302	1D19	35	40-13
M806387	2B22	13	92-19	M87820	1I20	3	70-27	R44302	1G22	..	55-3
M806388	2B22	4	92-19	M87820	1K16	4	80-25	R44302	2B7	17	92-3
M806389	2B16	13	92-13	M87820	2C2	4	92-23	R50452	2A20	41	90-3
M806390	2B16	16	92-13	M87850	1B12	14	20-19	R51603	1J6	5	70-37
M806391	2B16	6	92-13	M87859	1B6	3	20-13	R51603	1J6	8	70-37
M806392	2B16	15	92-13	M87859	1C2	15	20-33	R52119	2A20	32	90-3
M806393	2B16	8	92-13	M87859	1C6	15	20-37	R52119	2A20	44	90-3
M806394	2B16	17	92-13	M87860	1B6	5	20-13	R53528	2A20	10	90-3
M806395	2B16	7	92-13	M87860	1C2	16	20-33	R54372	1J19	7	80-3
M806396	2B16	11	92-13	M87860	1C6	16	20-37	R54372	1J21	6	80-5
M806397	2B16	10	92-13	M87861	1C8	14	20-39	R54779	2A20	5	90-3
M806398	2B16	1	92-13	M87868	1B24	13	20-31	R54781	2A20	4	90-3
M806399	2B16	14	92-13	M87869	1C18	13	30-9	R54782	2A20	7	90-3
M806407	1E11	6	50-7	M87869	2B24	22	92-21	R55326	2A20	1	90-3
M806424	1B24	15	20-31	M87885	1B18	9	20-25	R55326	2A20	11	90-3
M806424	1B24	18	20-31	M87885	1B24	6	20-31	R55326	2A20	25	90-3
M806424	1C8	22	20-39	M87907	1C20	9	30-11	R56026	1D23	3	40-17
M806438	1C6	19	20-37	M88031	1D11	3	40-5	R56410	1D23	4	40-17
M806438	1C8	23	20-39	M88031	1G22	5	55-3	R56920	1K24	1	80-33
M806438	1C18	41	30-9	M88198	1D2	23	30-17	R60100	2A20	12	90-3
M806438	1C20	21	30-11	M88198	1D4	22	30-19	R60101	2A20	23	90-3
M806543	1H8	13	60-9	M88198	1K20	24	80-29	R60103	2A20	24	90-3
M806543	1H10	13	60-11	M88201	1C20	10	30-11	R60104	2A20	42	90-3
M806672	1E7	28	50-3B	M88337	1K22	2	80-31	R60459	2A20	36	90-3
M806672	1E13	8B	50-9	M88753	1C4	6	20-35	R61179	2A20	8	90-3
M806673	1E7	29	50-3B	M88753	1C12	31	30-3	R62922	2A20	16	90-3
M806673	1E13	9B	50-9	M88753	1C12	32	30-3	R62925	2A20	22	90-3
M806674	1E7	26	50-3B	M88832	1C22	9	30-13	R62926	2A20	13	90-3
M806674	1E13	18	50-9	M89143	1B8	19	20-15	R63075	1H4	12	60-5
M806675	1E7	27	50-3B	M89143	1B10	25	20-17	R63075	1J4	27	70-35
M806675	1E13	28	50-9	M89148	1B20	29	20-27	R63679	2A20	33	90-3
M806677	1E15	34	50-13	M89148	1B22	28	20-29	R63679	2A20	39	90-3
M806677	1E17	45	50-15	M89151	1C8	9	20-39	R63679	2A20	43	90-3
M806677	2B9	34	92-5	M89151	1C18	32	30-9	R66949	1K4	18	80-13
M806678	1E15	35	50-13	M89162	1C18	34	30-9	R69293	1J21	3	80-5
M806678	1E17	45	50-15	M89174	1D22	3	40-16	R77977	1J23	3	80-7
M806678	2B11	36	92-7	M89176	1J4	17	70-35	R81221	2A20	19	90-3
M806732	1B2	30	20-9	M90604	1J2	30	70-33	R81222	2A20	21	90-3

# 1L25

870, 970 AND 1070 COMPACT UTILITY TRACTORS

## NUMERICAL INDEX - CONTINUED

PART NO.	GRID	KEY	PAGE	PART NO.	GRID	KEY	PAGE	PART NO.	GRID	KEY	PAGE
R81223	2A20	14	90-3	T77857	1I12	15	70-19				
R81416	1J23	6	80-7	T78716	1I12	9	70-19				
TH100075	1E5	16	50-3	T84409	1D13	2	40-7				
TH100075	1E7	16	50-3B	U46166	1I20	23	70-27				
TH100075	1K4	5	80-13	U46166	1J8	6	70-39				
TH104972	1E15	16	50-13	U46166	2B24	19	92-21				
TH104972	2B9	16	92-5	U46489	1J4	7	70-35				
TY21736	1D20	2	40-14	W39914	1I22	8	70-29				
TY2615	1K20	14	80-29	1875-325	1D4	37	30-19				
TY6092	1D20	2	40-14	400R	1B14	7	20-21				
TY6107	1D20	2	40-14	400R	1B14	24	20-21				
TY6715	1D13	10	40-7	400R	1E19	10	50-17				
TY6715	1D13	13	40-7	400R	1F24	4	50-47				
TY6715	1D13	54	40-7	400R	1G24	16	55-5				
T110095	2B7	18	92-3	806822	1F4	11	50-27				
T110410	1H2	16	60-3								
T110460	1G22	42	55-3								
T110645	1B22	25	20-29								
T110650	1B2	16	20-9								
T110650	1B4	17	20-11								
T110650	1C2	4	20-33								
T110650	1C6	4	20-37								
T110735	1C4	4	20-35								
T110736	1B6	18	20-13								
T110737	1B6	19	20-13								
T110737	1C2	14	20-33								
T110737	1C6	14	20-37								
T110741	1C20	18	30-11								
T110750	1C8	15	20-39								
T110750	1C18	10	30-9								
T111005	1C12	41	30-3								
T111377	1C20	25	30-11								
T111380	1C12	7	30-3								
T111380	1C12	35	30-3								
T111381	1C12	12	30-3								
T111382	1C12	13	30-3								
T111383	1C12	8	30-3								
T111384	1C12	9	30-3								
T111562	1B20	14	20-27								
T111562	1B22	14	20-29								
T111562	1B24	1	20-31								
T111565	1B20	10	20-27								
T111565	1B22	11	20-29								
T111566	1B20	8	20-27								
T111732	1I14	13	70-21								
T11234	1D21	12	40-15								
T113961	1B10	21	20-17								
T113976	1H20	2	70-3								
T114157	1C20	20	30-11								
T114158	1C20	22	30-11								
T114223	1G15	16	50-63								
T116274	1D19	10	40-13								
T116334	1E5	16	50-3								
T116334	1E7	16	50-3B								
T116334	1E9	10	50-5								
T116334	1K4	5	80-13								
T134459	1D13	2	40-7								
T146102	1D13	2	40-7								
T146102	1D15	34	40-9								
T146102	1K20	19	80-29								
T146104	1K22	5	80-31								
T19065	1J17	3	80-1								
T21743	1J17	4	80-1								
T28586	1D21	14	40-15								
T33745	2A20	38	90-3								
T34067	1D21	2	40-15								
T77613	1I22	14	70-29								