

SERVICE MANUAL

Models

EX13,17,21,27

SP170,SP210

**EX21 Electronic Fuel Injection
ENGINES**

PUB-ES1934
Rev. 08/09

Robin America, Inc.

905 Telser Road • Lake Zurich, IL 60047 • Phone: 847-540-7300 • Fax: 847-438-5012
e-mail: sales@robinamerica.com • www.subarupower.com

© Copyright 2009 Robin America, Inc.

CONTENTS

<i>Section</i>	<i>Title</i>	<i>Page</i>
1.	SPECIFICATIONS	1
2.	PERFORMANCE	2
3.	FEATURES	7
4.	GENERAL DESCRIPTION OF ENGINE COMPONENTS	8
5.	DISASSEMBLY AND REASSEMBLY	14
5-1	PREPARATIONS AND PRECAUTIONS	14
5-2	SPECIAL TOOLS	14
5-3	DISASSEMBLY PROCEDURE	15
5-4	REASSEMBLY PROCEDURE	29
6.	ENGINE OIL	47
7.	MAGNETO	48
8.	WIRING DIAGRAM	51
9.	ELECTRIC STARTER	53
10.	OIL SENSOR	55
11.	AUTOMATIC DECOMPRESSION SYSTEM	56
12.	CARBURETOR	57
13.	RECOIL STARTER	61
14.	INSTALLATION	66
15.	TROUBLESHOOTING	68
16.	STANDARD REPAIR TABLES	74
15-1	STANDARD DIMENSIONS AND LIMITS OF USE	74
15-2	TIGHTENING TORQUE	80
17.	MAINTENANCE AND STORAGE	81

1. SPECIFICATIONS

Model		EX13D	EX17D	EX21D	EX27D
Type	Air-Cooled, 4-Cycle, Slant Single-Cylinder, Horizontal P.T.O. Shaft, OHC Gasoline Engine				
Bore & Stroke	mm (in.)	58 x 48 (2.28 x 1.89)	67 x 48 (2.64 x 1.89)	67 x 60 (2.64 x 2.36)	75 x 60 (2.95 x 2.36)
Piston Displacement	ml (cu.in.)	126 (7.69)	169 (10.31)	211 (12.87)	265 (16.17)
Compression Ratio	8.5			8.3	
Continuous Output	kW(HP)/r.p.m.	1.9(2.6)/3000 2.2(3.0)/3600	2.6(3.5)/3000 2.9(4.0)/3600	3.2(4.4)/3000 3.7(5.0)/3600	4.4(6.0)/3000 5.1(7.0)/3600
Maximum Output	kW(HP)/r.p.m.	3.2(4.3)/4000	4.2(5.7)/4000	5.1(7.0)/4000	6.6(9.0)/4000
Maximum Torque	N·m / r.p.m. (kgf·m / r.p.m.) (ft·lb. / r.p.m.)	8.1/2500 (0.83/2500) (6.01/2500)	11.3/2500 (1.15/2500) (8.34/2500)	13.9/2500 (1.41/2500) (10.26/2500)	18.6/2500 (1.9/2500) (13.74/2500)
Direction of Rotation	Counterclockwise as viewed from the P.T.O. shaft side				
Valve Arrangement	Overhead cam system				
Cooling System	Forced air cooling system				
Lubrication System	Splash lubrication system				
Lubricant	Automobile engine oil ; Grade SE or higher (SG,SH or SJ in recommended) SAE 10W-30-----Under ordinary atmospheric temperatures SAE 5W-30-----In cold areas				
Capacity of Lubricant	L	0.6			1.0
Carburetor	Horizontal draft, Float type				
Fuel	Automobile unleaded gasoline				
Fuel Consumption Rate	g/kW·h (g/HP·h)	367 (270) at continuous rated output			
Fuel Supply System	Gravity type				
Fuel Tank Capacity	L	2.7	3.6		6.1
Ignition System	Transistorized magneto				
Spark Plug	NGK BR-6HS (CHAMPION RL86C)				
Charging Capacity (Option)	V-A	—	12-1A, 3A, 16.7A (Option)		
Starting System	Recoil starter		Recoil starter / Electric starter (Option)		
Governor System	Centrifugal flyweight system				
Dry Weight	kg (lb.)	14 (30.87)	15 (33.08)	16 (35.28)	21 (46.31)
Dimensions (L x W x H)	mm (in.)	297 x 341 x 318 (11.7x13.4x12.5)	304 x 354 x 335 (12.0x13.9x13.2)	311 x 366 x 335 (12.2x14.4x13.2)	351 x 420 x 410 (13.8x16.5x16.1)

* Specifications are subject to change without notice.

2. PERFORMANCE

2-1 MAXIMUM OUTPUT

The Maximum output is the output of an engine with its throttle valve fully opened and considering that all the moving parts are properly broken in.

A new engine may not produce full maximum output while its moving parts are still not broken-in.

NOTE :

Power curves shown in the following charts are made in conformity with SAE internal combustion engine standard test code J1349.

2-2 CONTINUOUS RATED OUTPUT

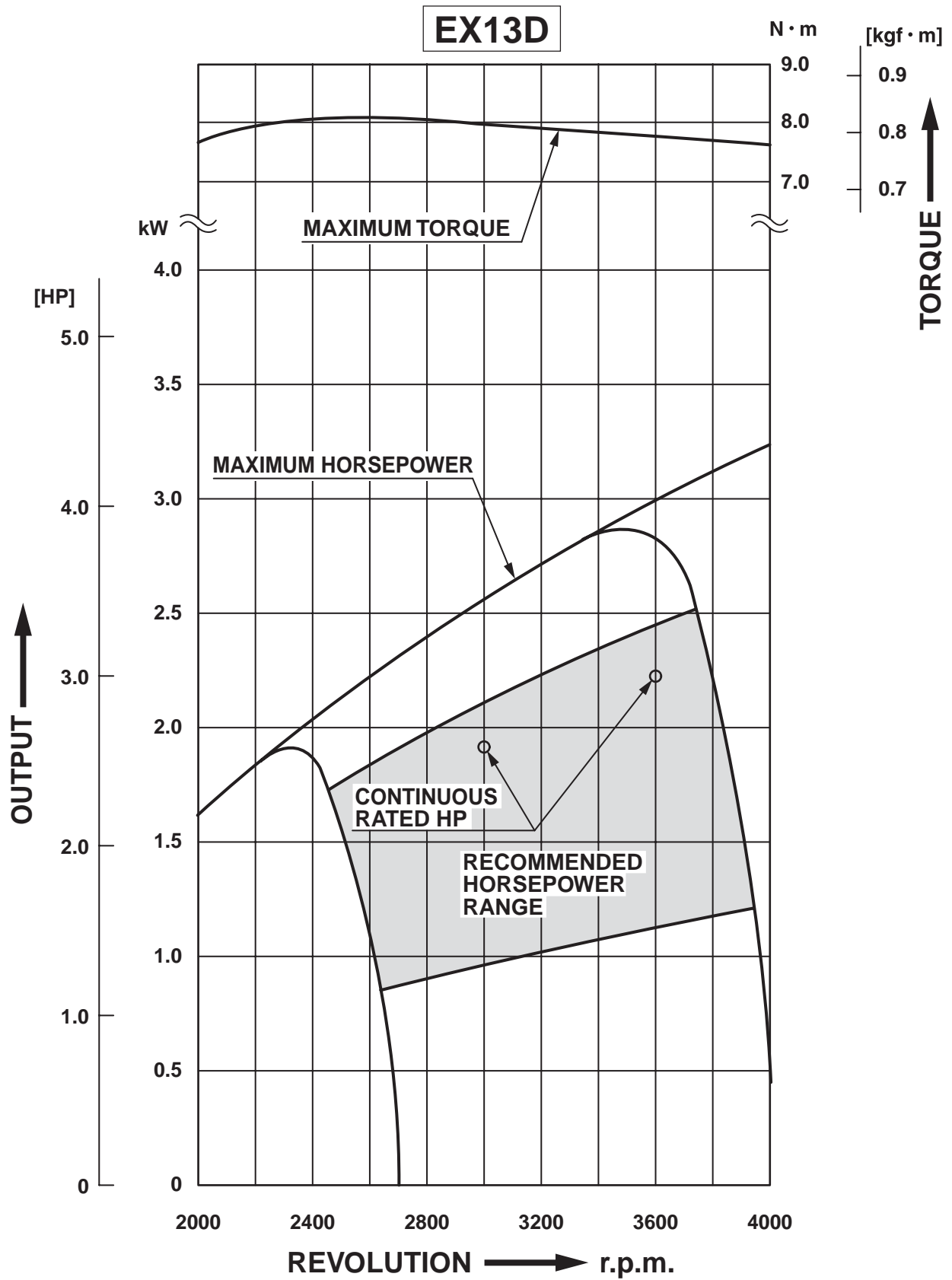
The continuous rated output is the output of an engine at optimum governed speed which is most favorable from the view point of engine's life and fuel consumption.

When the engine is installed on a certain equipment, it is recommended that the continuous output required from the equipment to be kept below this continuous rated output.

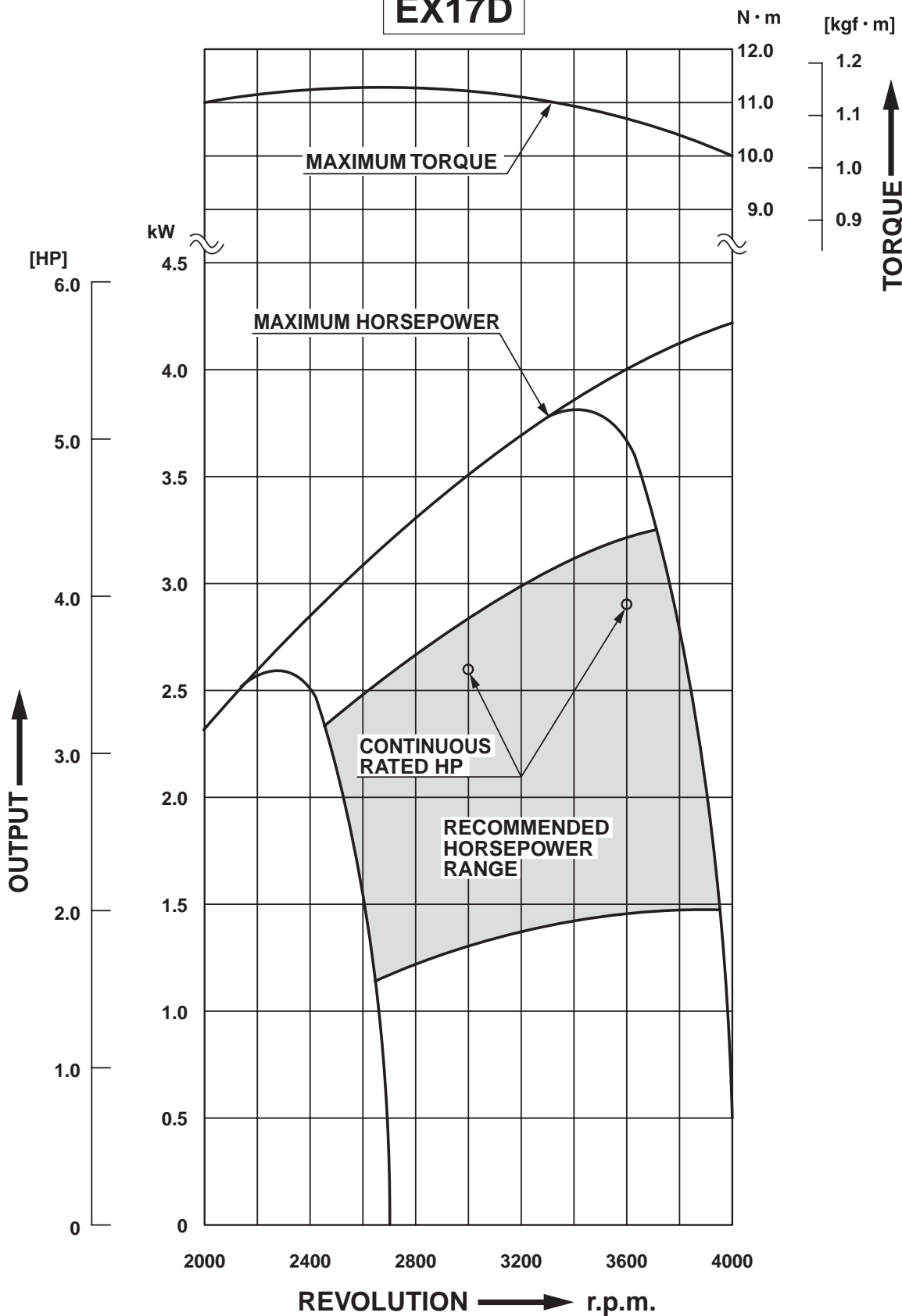
2-3 MAXIMUM TORQUE

The maximum torque is the torque at the output shaft when the engine is producing maximum output at a specific r.p.m..

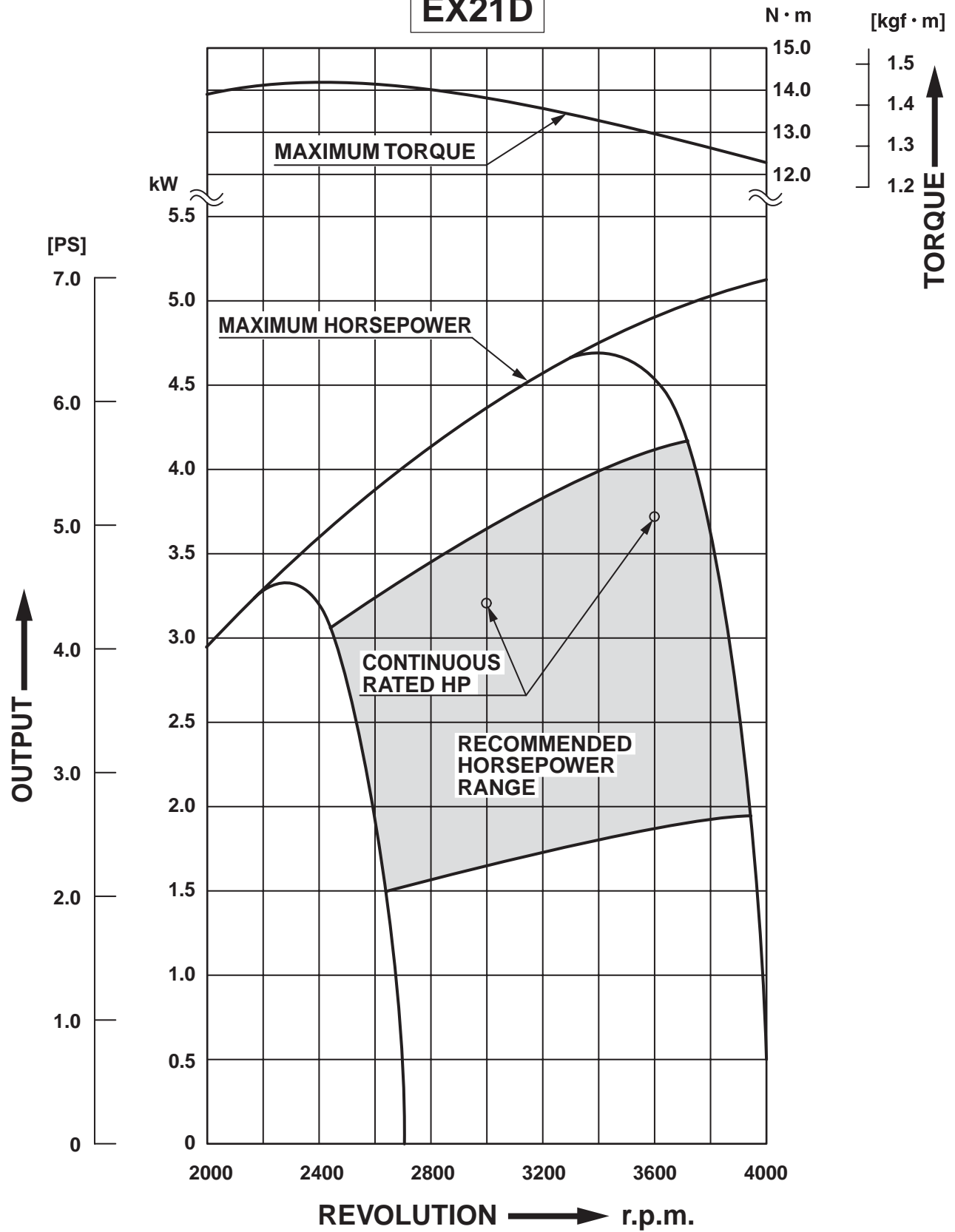
2-4 PERFORMANCE CURVES



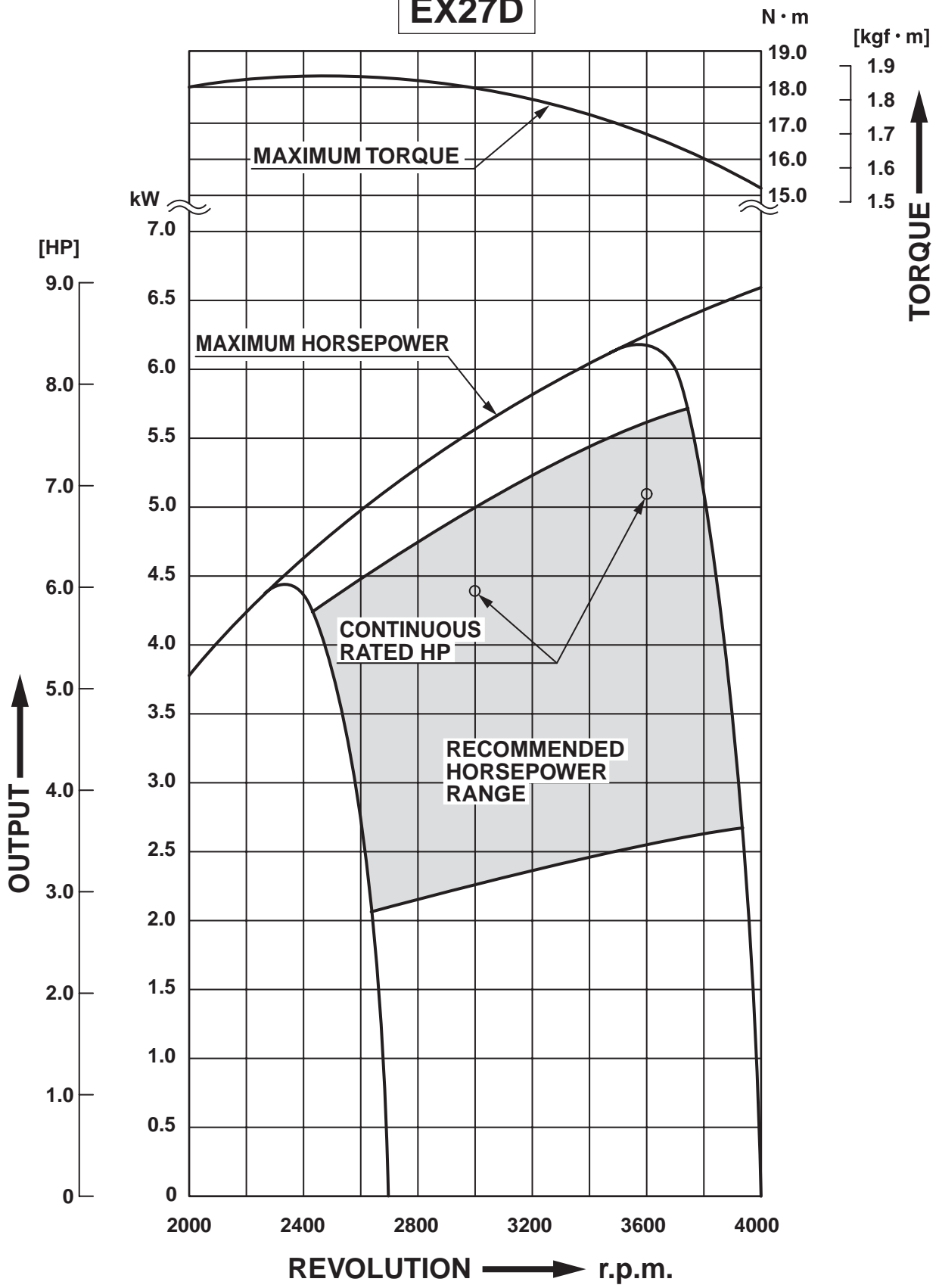
EX17D



EX21D



EX27D



3. FEATURES

3-1 EXTREMELY SILENT - SOFT TONE QUALITY

EX engines are 2dBA quieter and softer in tone than other engines in the same class.

This quiet and soft tone is achieved by:

- A reduction in mechanical noise realized by employing sophisticated OHC system.
- Employment of an optimized capacity Rigid Muffler.

3-2 EXTREMELY EASY START - NO KICK-BACK

Reliable Starting and Less Pulling Force are achieved by:

- Sophisticated Mechanical Compression Release System as well as newly designed Combustion Chamber.
- EX engines start instantly even at minus (-) 10 °C, without any perceptible kick-back.

3-3 EXTREMELY EASY MAINTENANCE

Extreme ease of maintenance is realized by:

- High Parts Commonality

simplifies maintenance & lowers repair cost due to fewer parts for service.

More than 90% of component parts are in common between more than two models, in such as Muffler, Intake and Exhaust Valves, Valve Springs, etc.

Furthermore, more than 50% of component parts are in common among EX13, EX17 and EX21, in such as Chain Guide, Air Cleaner, Ignition Coil, etc.

- **Only with ordinary tools**, routine maintenance, assembly and disassembly can be performed.

3-4 EXTREMELY ADVANCED TECHNOLOGY

Extreme reliability and durability are achieved by:

- Heavy Duty Chain Driven OHC System

Oval type case-hardened steel links enhance performance and resist stretching, which result in extended maintenance free operation.

- Completely New Main Bearing Cover's Design

Flush-mounted main bearing cover with lower moment of deformation significantly increases reliability and engine life.

- Superior Cooling and Lubrication System

Heat reduction is achieved by more efficient, larger and more numerous cooling fins on crankcase, cylinder and mounting base, as well as by outstanding oil delivery system.

- **Large Ball Bearings** on both ends of crankshaft for maximum stability under demanding loads.

- **Cast Iron Cylinder Liner** resists wear

3-5 EXTREME POWER AND PERFORMANCE

Extremely Higher Power and Lower Fuel Consumption are realized by:

- High speed and homogeneous combustion achieved by sophisticated Pentroof Combustion Chamber which includes Intake and Exhaust Valves located at optimum angle.
- Straight Intake Port with minimal air flow resistance.

Environmentally friendly

EX engines comply with EPA Phase 2 and CARB Tier II Emission Regulations in the USA.

Extreme application compatibility

With four versatile models, existing slant-cylinder engines can be easily replaced.

4. GENERAL DESCRIPTION OF ENGINE COMPONENTS

4-1 CYLINDER AND CRANKCASE

The cylinder and crankcase are aluminum die-casting as a single piece. A special cast iron cylinder liner is molded into the aluminum die-casting.

The crankcase has a mounting surface on the output shaft side to which the main bearing cover is attached. The cylinder is inclined to the right at an angle of 25 degrees from the horizontal as viewed from the output shaft side.

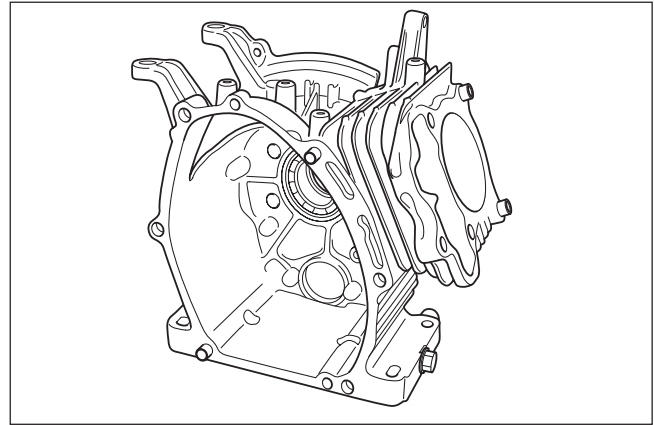


Fig. 4-1

4-2 MAIN BEARING COVER

The main bearing cover is an aluminum die-casting, which is mounted on the output shaft side of the crankcase. By removing the main bearing cover, the inside of the engine can be inspected with ease. Pilots and bosses are machined into the cover to facilitate the direct coupling of the engine with machines such as generators and pumps. There is an oil filling port, with oil gauge, on either side of the cover.

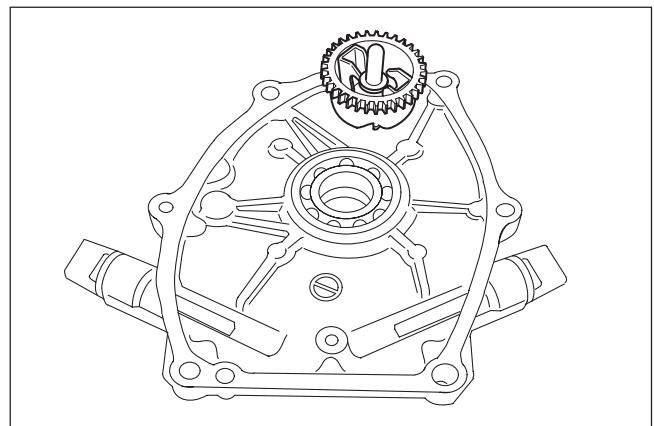


Fig. 4-2

4-3 CRANKSHAFT

The crankshaft is made of spheroidal graphite cast iron, and the crank pin is high-frequency induction-hardened. The crank sprocket used to drive the chain and the gear used to drive the governor gear are pressed into the output end of the shaft.

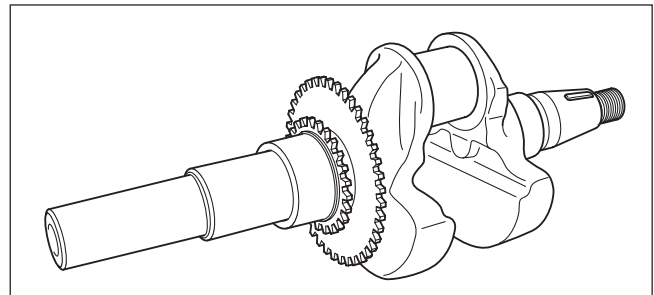


Fig. 4-3

4-4 CONNECTING ROD AND PISTON

The connecting rod is a specially heat-treated aluminum alloy die-casting. Its large and small ends function as bearings. A splashers built into the connecting rod lubricates by splashing engine oil. The piston is an aluminum alloy casting with grooves for mounting two compression rings and one oil ring.

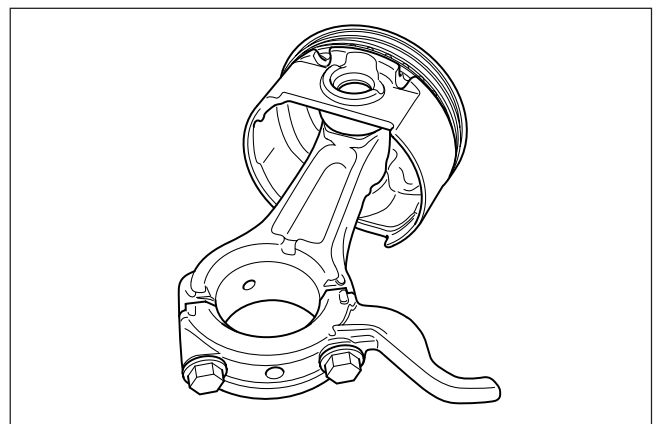


Fig. 4-4

4-5 PISTON RINGS

The piston rings are made of special cast iron. The profile of the top ring is a barrel face or tapered face, and that of the second ring is a tapered face. There are 2 types of oil ring depending on the engine specification. As those are interchangeable, the cutter ring with coil expander type can be selected as the spare part.

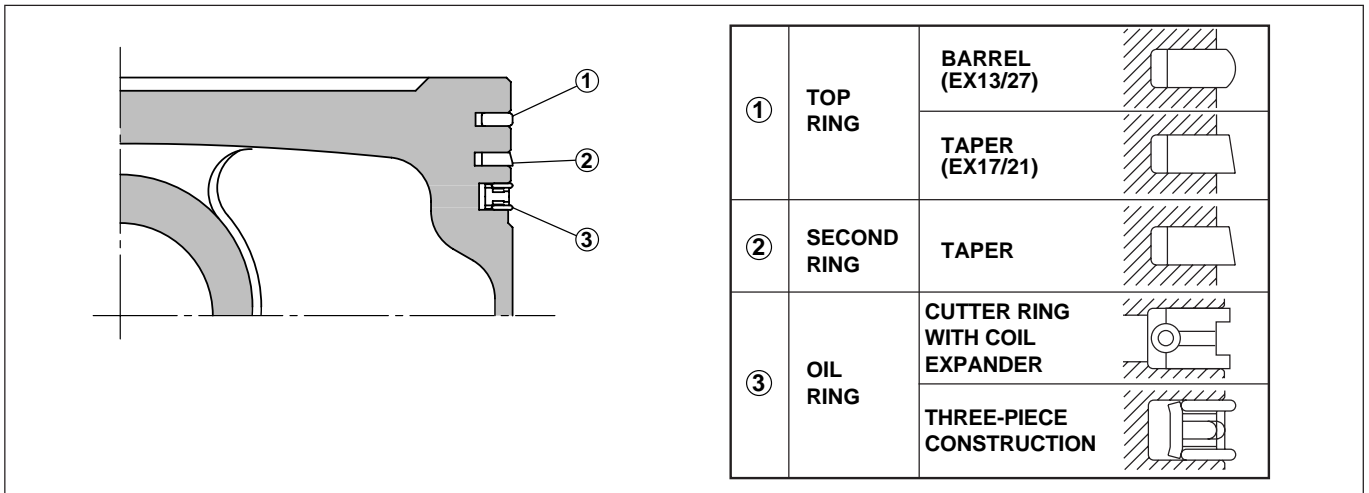


Fig. 4-5

4-6 CAMSHAFT

The camshaft and the sprocket are made of special sintered alloy. They are constructed as a single piece. The camshaft is provided with intake and exhaust cam, and the decompression release lever is mounted on the sprocket shaft end side.

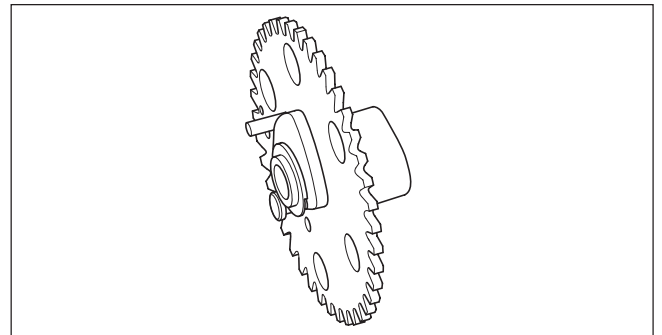


Fig. 4-6

4-7 VALVE ARRANGEMENT

This engine has a chain-driven overhead cam and overhead valve construction, with a single cam performing both intake and exhaust operations.

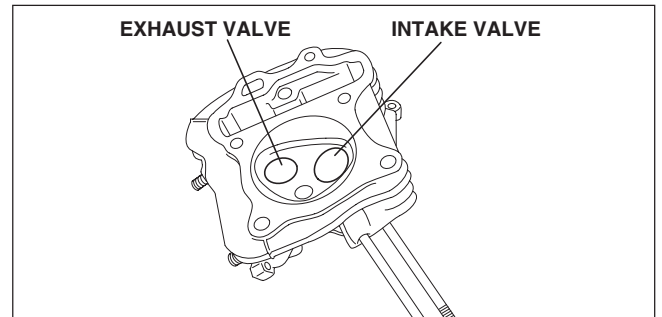


Fig. 4-7

4-8 CYLINDER HEAD

The cylinder head is an aluminum die-casting with a pent roof combustion chamber construction. The intake and exhaust ports are arranged in a cross direction to improve combustion efficiency.

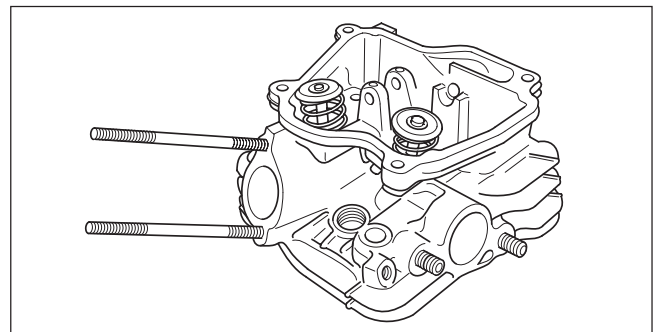


Fig. 4-8

4-9 GOVERNOR SYSTEM

This engine is equipped with a centrifugal flyweight type governor that makes it possible to operate the engine at a constant speed, even with load variations. (The governor flyweights are mounted on a governor gear.)

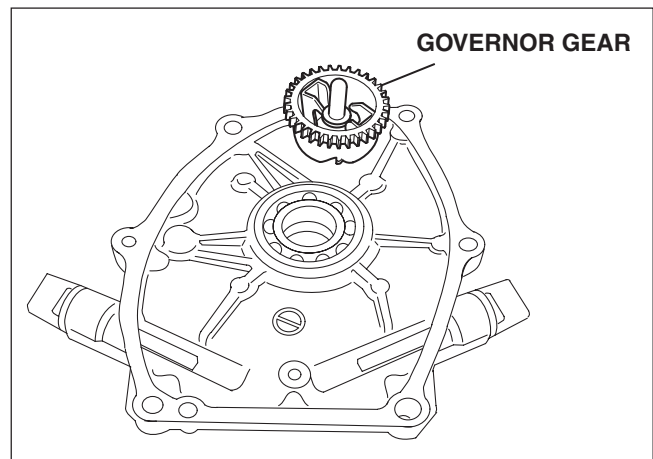


Fig. 4-9

4-10 COOLING SYSTEM

The engine uses a forced air-cooling system in which a cooling fan (which also works as a flywheel) forces cooling air into the cylinder and the cylinder head. Baffles are provided to guide the flow of the cooling air. (Model EX21 is provided with a synthetic resin cooling fan that is separate from the flywheel.)

4-11 LUBRICATION SYSTEM

The rotating parts, sliding parts and valves of the engine are lubricated with oil in the crankcase. The oil is splashed onto the parts by the oil splasher on the connecting rod.

4-12 TIMING CHAIN

Timing chain system is adopted and designed for lubricating for the upper portion of cylinder head.

The timing chain is engaged between the sprocket portion of integrated camshaft in the cylinder head and the crankshaft gear sprocket.

The sprocket teeth in particular shape are adopted to enhance the durability and to realize low noise level.

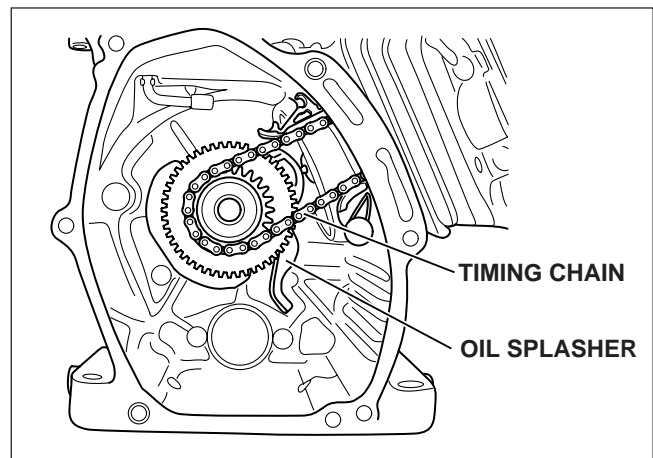


Fig. 4-10

4-13 IGNITION SYSTEM

The ignition system is a transistor controlled magneto system with the ignition timing set at 23 degrees (EX13/17/21)[27 degrees (EX27)] before the top dead center. The magneto consists of a flywheel and ignition coil. The flywheel (which also works as a fan) is directly mounted on the crankshaft and the ignition coil is directly mounted on the crankcase.

Model EX13,17,21 and 27D has a smooth advanced ignition timing system to improve starting performance. (For further details, refer to page 48, section "7. MAGNETO".)

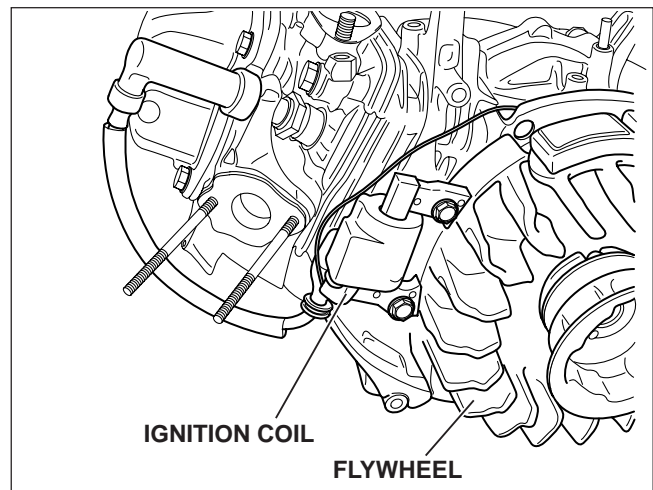


Fig. 4-11

4-14 CARBURETOR

The engine is equipped with a horizontal draft carburetor. The carburetor setting is calibrated after careful testing for optimum all-round performance (including starting, acceleration, fuel consumption, output power characteristics). Special attention is also paid to the general-purpose use of the engine. (For further information, refer to page 57, section "11. CARBURETOR".)

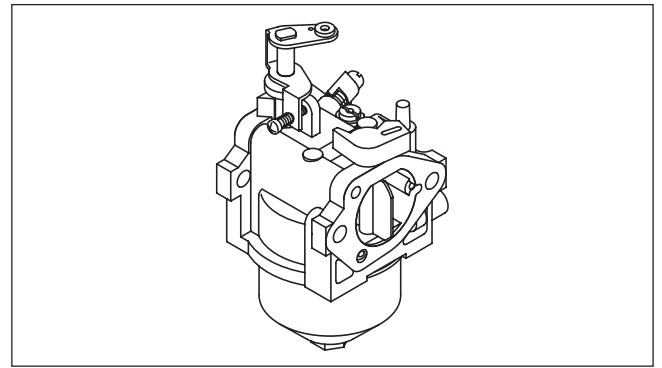


Fig.4-12

4-15 AIR CLEANER

The engine uses an air cleaner that is quieter than conventional ones. A semi-wet urethane foam element is used in the STD air cleaner. Dual element air cleaner (with a primary element of dry type sponge and secondary element of dry type paper) and other types are also provided as special options.

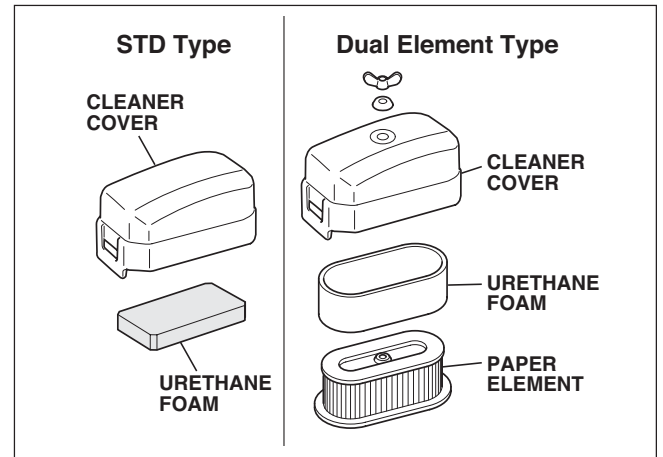


Fig.4-13

4-16 BALANCER

(PROVIDED ONLY IN MODEL EX27D)

Unbalanced inertia force is cancelled by the balancer which rotates at the same speed as the crankshaft to effectively reduce vibration.

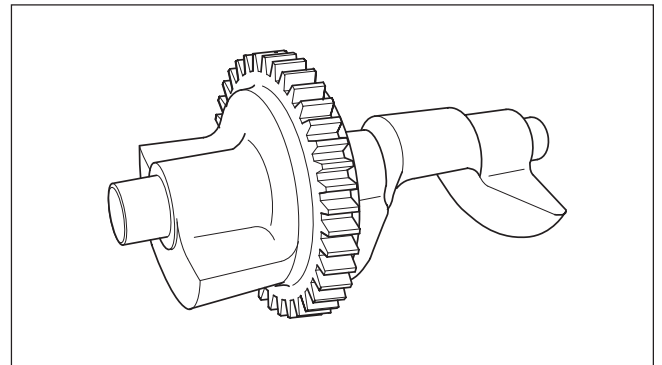


Fig.4-14

4-17 DECOMPRESSION SYSTEM

The automatic decompression system is mounted on the camshaft. It opens the exhaust valve before the compression top, thereby alleviating the compression pressure and reducing the force required to pull the recoil starter.

During engine operation, the decompression system is overpowered by centrifugal force and compression is fully utilized to produce power.

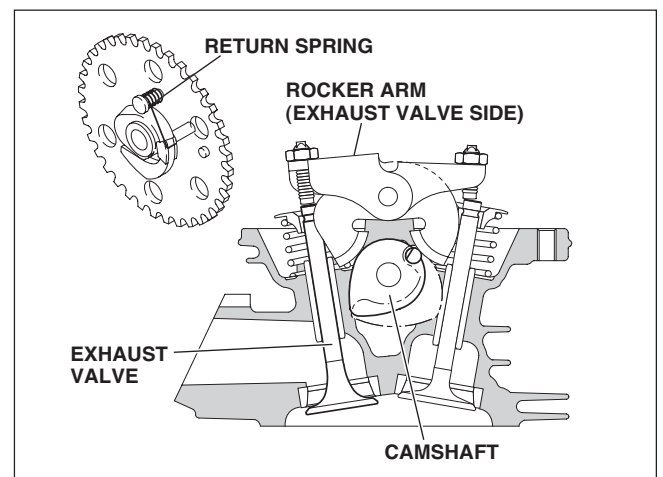


Fig.4-15

4-18 SECTIONAL VIEW OF THE ENGINE

Cross sectional view – across the shaft

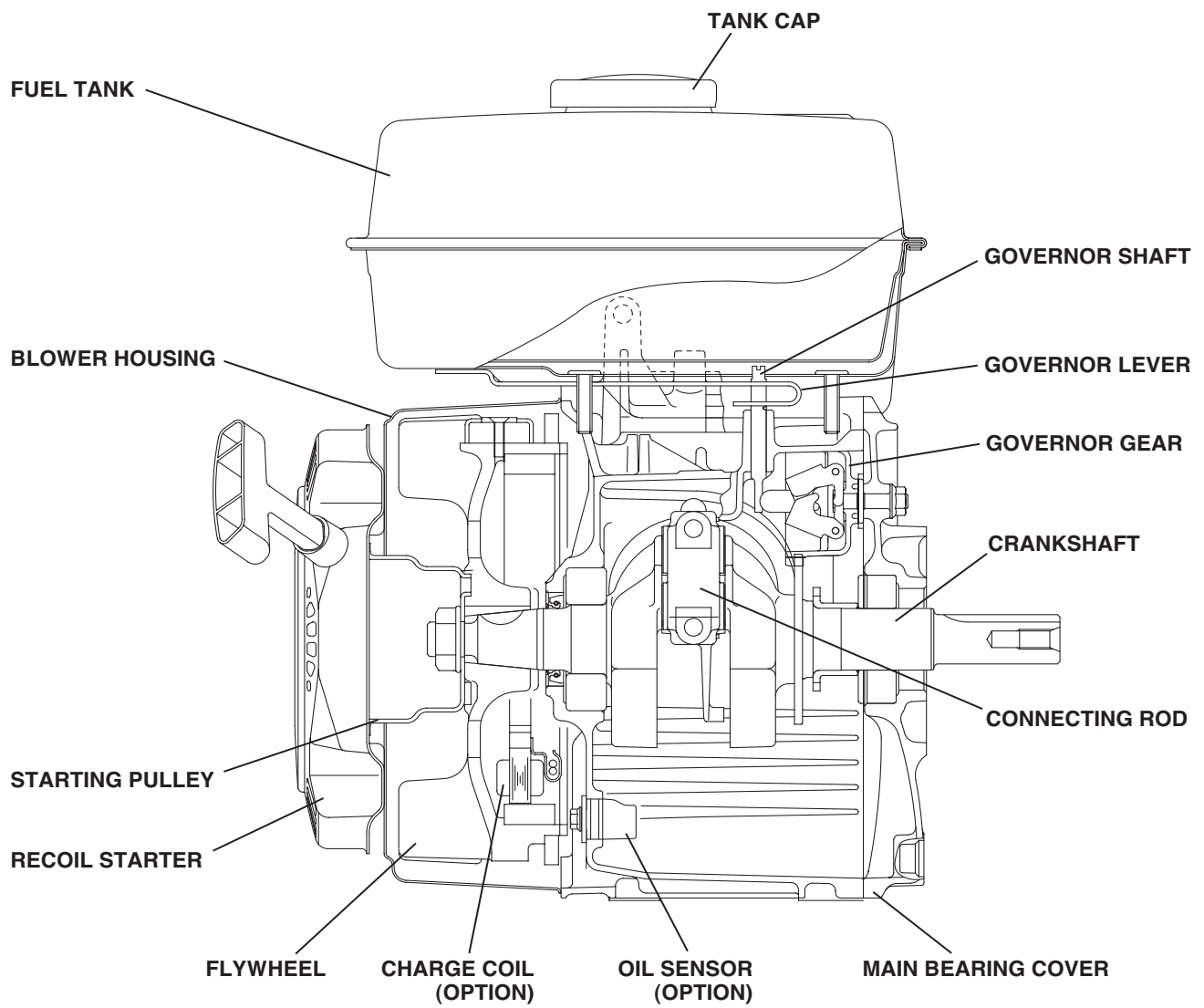


Fig. 4-16

Cross sectional view – along the shaft

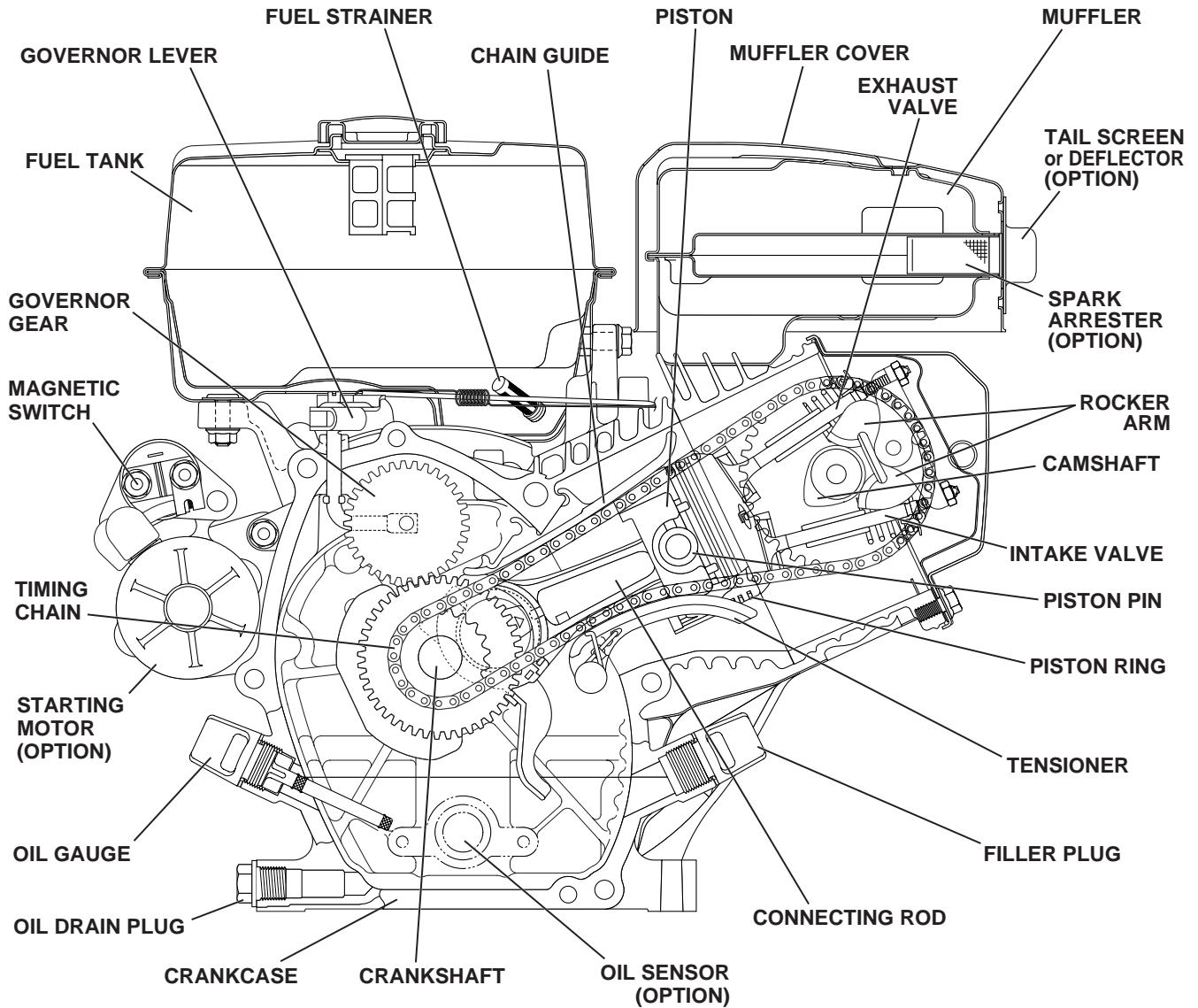


Fig. 4-17

5. DISASSEMBLY AND REASSEMBLY

5-1 PREPARATIONS AND PRECAUTIONS

- (1) When disassembling the engine, memorize the location of each part so that you can reassemble the engine correctly. If necessary, attach identification tags with the required assembly information to the parts.
- (2) Store groups of parts in separate boxes. This will make reassembly easier.
- (3) To prevent parts from being mislaid, keep each group provisionally assembled after removing the parts from the engine.
- (4) Handle the disassembled parts with the utmost care. Clean them with cleaning oil if necessary.
- (5) Use the correct tools in the correct way when disassembling and reassembling the engine.

5-2 SPECIAL TOOLS

	Tool name	Use
Commercially available product	Flywheel puller	For pulling off the flywheel

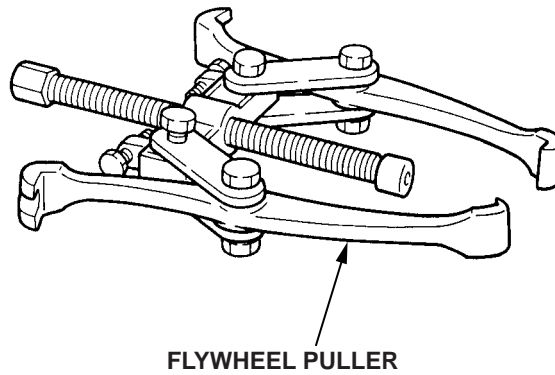


Fig. 5-1

5-3 DISASSEMBLY PROCEDURE

Step	Parts to remove	Remarks and procedures	Fasteners
1	Drain the engine oil	(1) Remove a drain plug (M14×12mm) located on both sides of the case. Take care not to lose the gaskets. (2) To discharge oil quickly, remove the oil gauge.	14 mm spanner

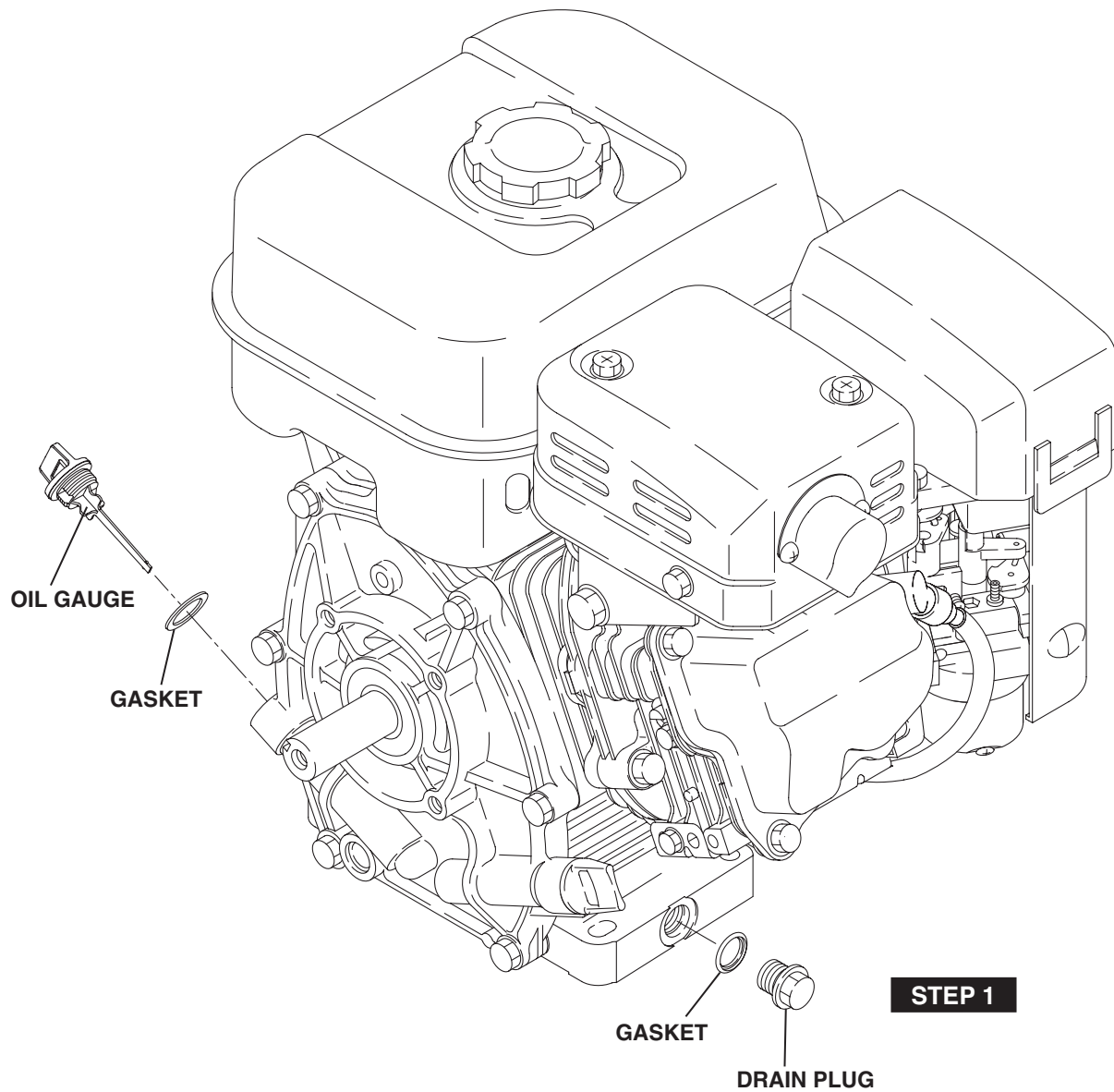


Fig. 5-2

Step	Parts to remove	Remarks and procedures	Fasteners
2	Air cleaner cover	Remove the air cleaner cover.	
3	Air cleaner	Remove the element, and remove the air cleaner while pulling the breather pipe away from the rocker cover.	10 mm box spanner M6 nut: 2 pcs. M6 x 20 : 1 pc.

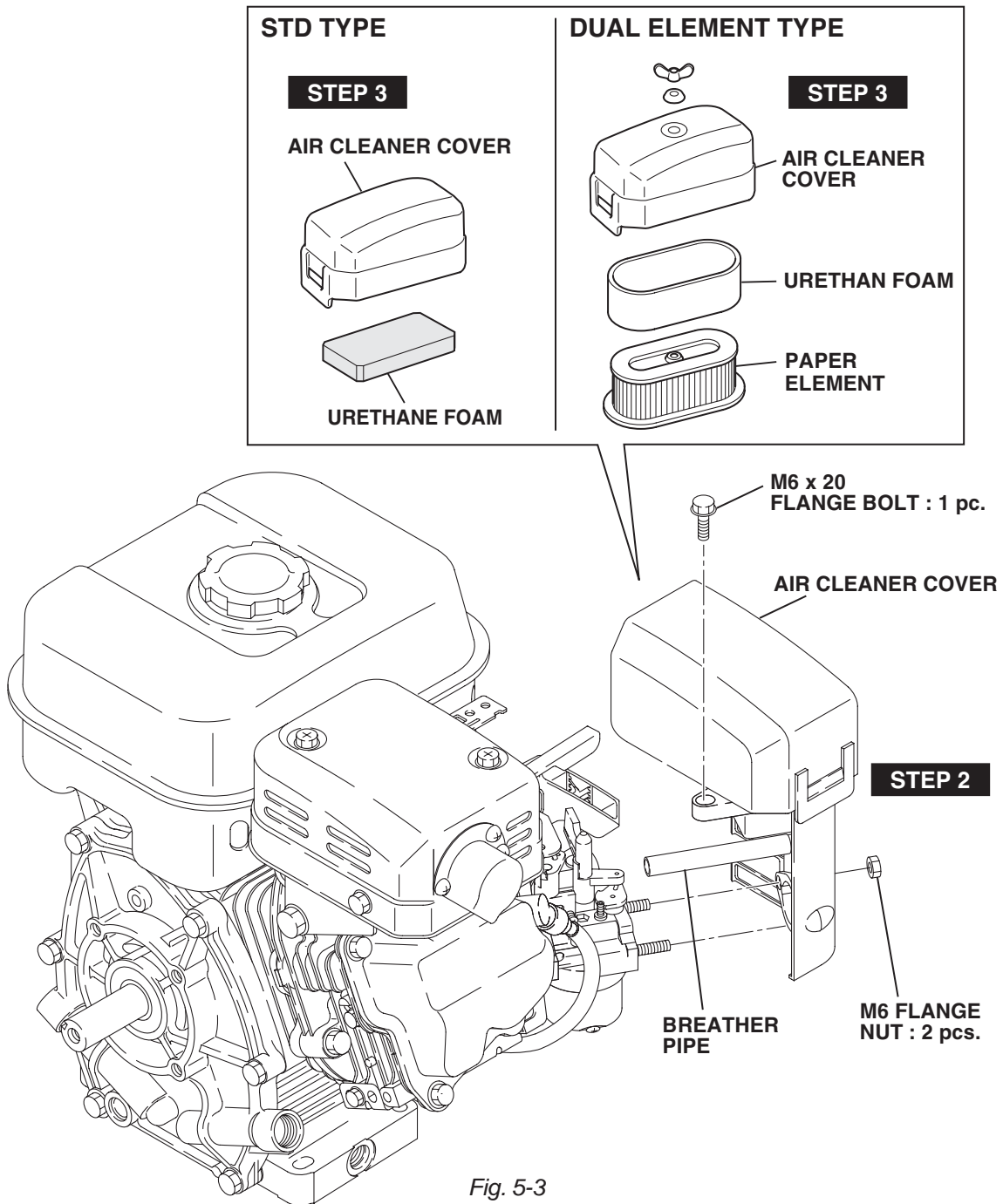


Fig. 5-3

Step	Parts to remove	Remarks and procedures	Fasteners
4	Stop switch	Disconnect the wire and remove the stop switch from the blower housing.	
5	Recoil starter	Remove the recoil starter from the blower housing.	10 mm box spanner M6 x 8mm : 4 pcs.
6	Blower housing Baffle 2 (head) Baffle 3	(1)Remove the blower housing from the crankcase. (2)Remove the baffle 2 (head) and baffle 3.	10 mm box spanner M6 x 12mm : 4 pcs. 10 mm box spanner or spanner M6 x 12mm : 2 pcs. (Baffle 2 (head)) M5 tapping bolt : 2 pcs. (Baffle 3)

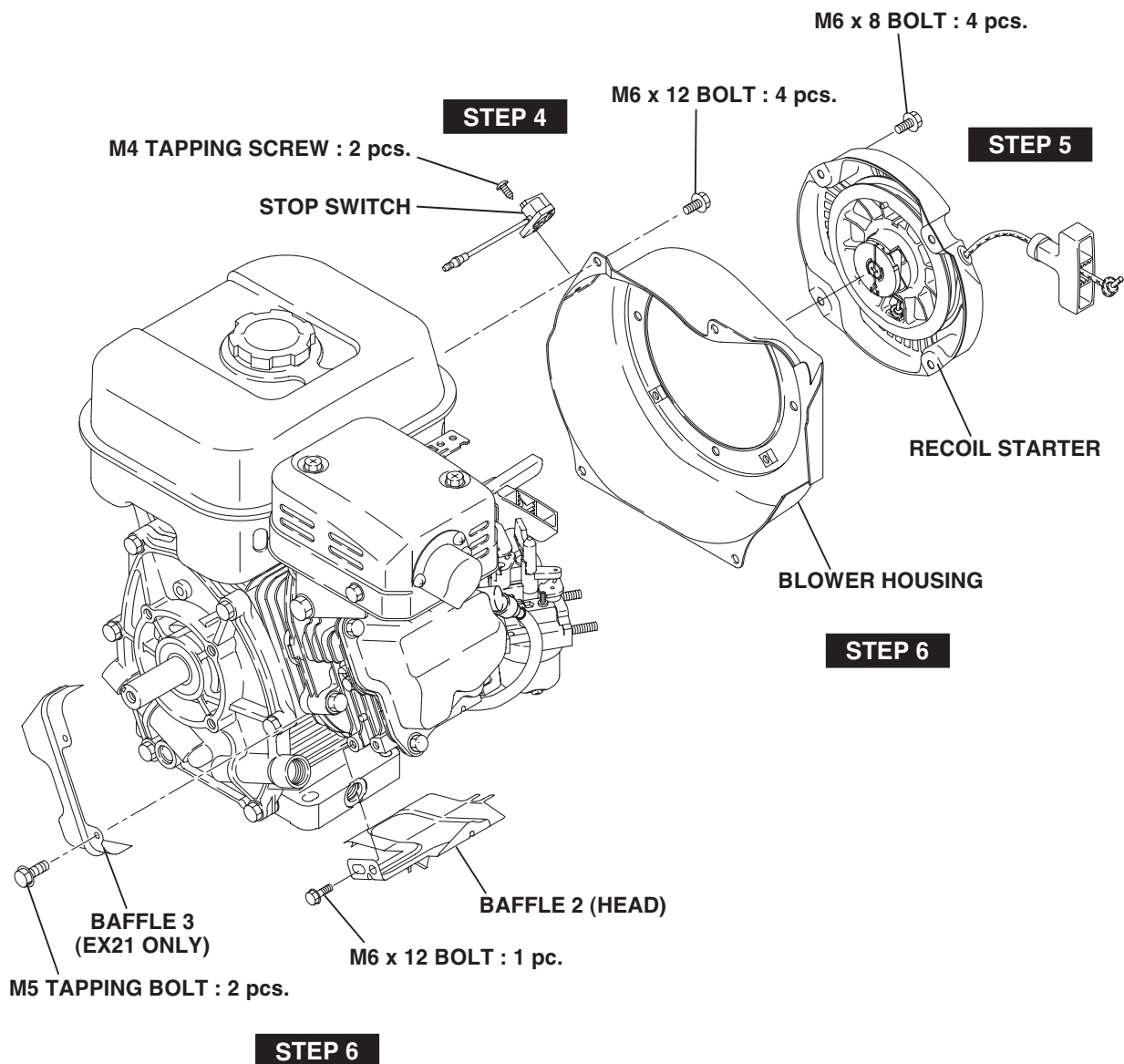


Fig. 5-4

Step	Parts to remove	Remarks and procedures	Fasteners
7	Fuel tank	(1) Drain fuel from the carburetor drain. (2) Remove the fuel tank mounting nuts and bolts from the crankcase. (3) Disconnect the fuel pipe from the carburetor. (See Fig. 5-6) (4) Remove the fuel tank from the crankcase.	10 (12) mm spanner or box wrench M6 nut : 2 pcs. (Models EX13, 17 and 21) M8 nut : 2 pcs. (Model EX 27) M6 × 25mm : 1 pc. (Models EX 13, 17 and 21) M8 × 25mm : 2 pcs. (Model EX27)
8	Muffler and Muffler cover	(1) Remove the muffler cover from the muffler. (2) Remove the muffler from the cylinder head. Take care not to lose the gasket. Take care not to cut your hand with the muffler gasket. Seal the exhaust port with adhesive tape or plug it with cloth to prevent nuts and other objects from falling inside.	12mm box spanner 10mm box spanner or spanner M6 tapping bolt : 2 pcs. M6 × 8mm : 1 pc. M8 nut : 2 pcs. M8 × 12mm : 1 pc.

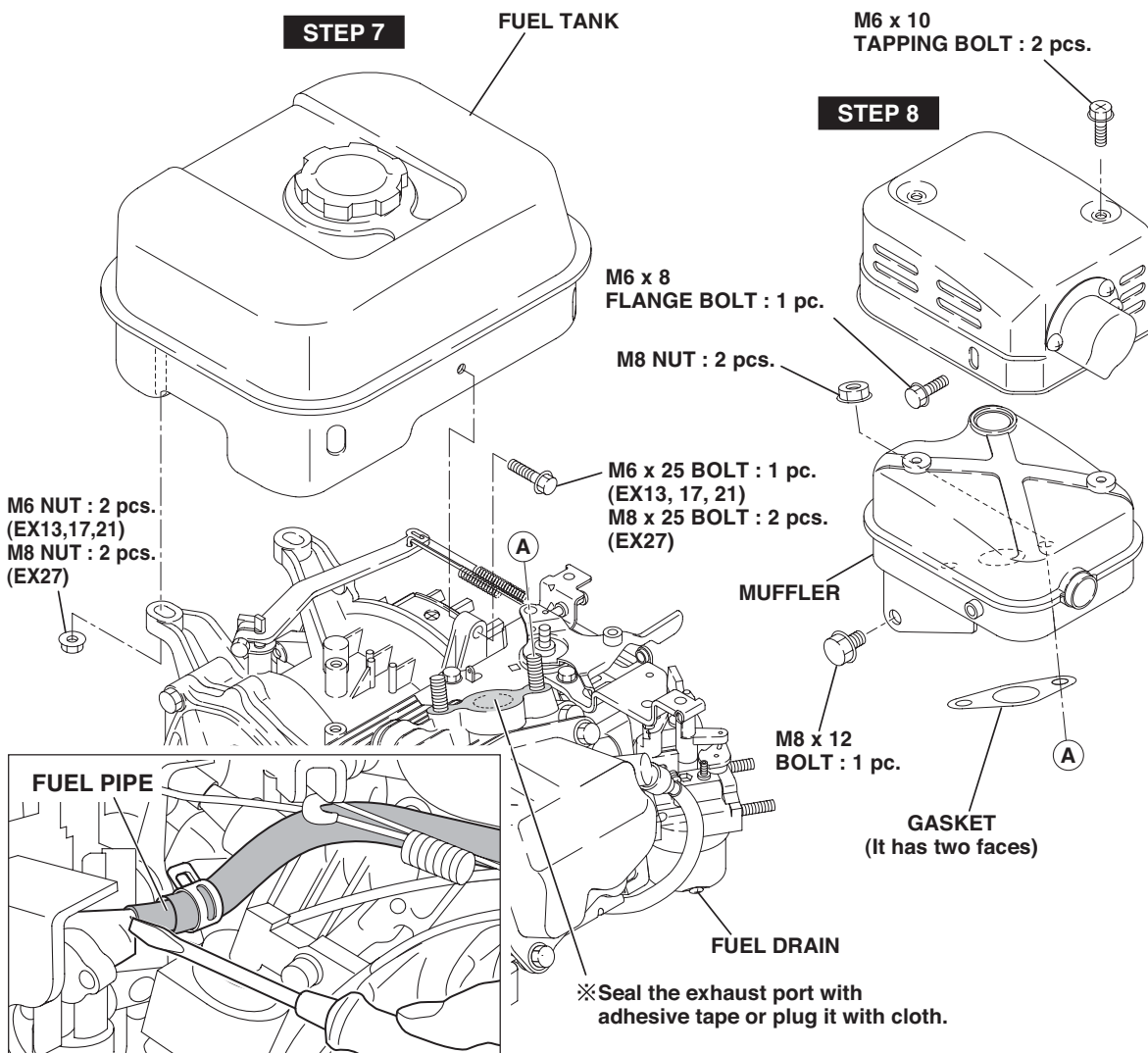


Fig.5-6

Fig.5-5

Step	Parts to remove	Remarks and procedures	Fasteners
9	Governor system	(1) Loosen the bolt and remove the governor lever from the governor shaft. There is no need to remove the bolt. (2) Remove the governor spring. (3) Remove the governor rod and the rod spring from the carburetor.	10 mm box spanner or spanner M6 x 30mm : 1 pc.
10	Carburetor, Insulator	Remove the carburetor from the cylinder head. Remove the insulator.	
11	Speed control lever and Bracket	Remove the speed control lever and bracket from the cylinder head.	10 mm box spanner M6 x 12mm : 2 pcs.

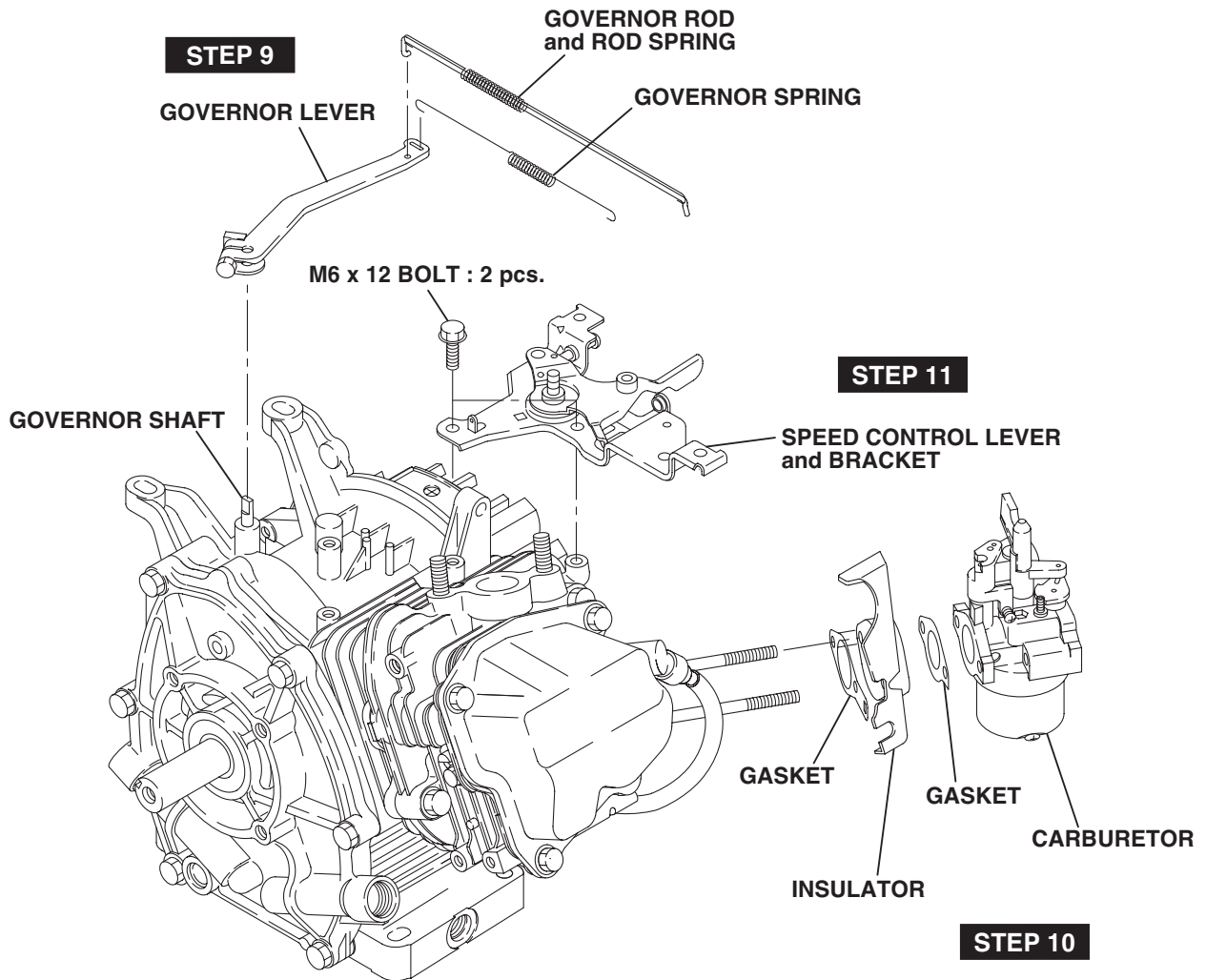


Fig.5-7

Step	Parts to remove	Remarks and procedues	Fasteners
12	Ignition coil	Remove the spark plug cap from the spark plug and remove the ignition coil from the crankcase.	10 mm box spanner M6 x 25mm : 2 pcs.
13	Starting pulley	Remove the starting pulley from the flywheel. Fit a box wrench or a socket wrench on the flywheel nut and loosen the nut by knocking the wrench sharply with a hammer. (See Fig. 5-10) NOTE: 1) Do not insert a screwdriver or other object between the flywheel blades, otherwise the risk of damaging the blades might be occured. 2) Knock the wrench with a hammer in a counter clockwise direction. 3) The fan of the Model EX21 engine is made of synthetic resin. Take the utmost care when handling it.	19 (24) mm box spanner or socket wrench M14 nut (Models EX13, 17 and 21) M18 nut (Model EX27)
14	Flywheel	Remove the flywheel from the crankshaft. Leave the nut temporarily to prevent the flywheel from dropping out. Fit the flywheel puller as shown in Figure 5-11 and remove the flywheel from the crankshaft by rotating the bolt at the center in a clockwise direction. (Knock the center bolt with a hammer sometimes)	Flywheel puller

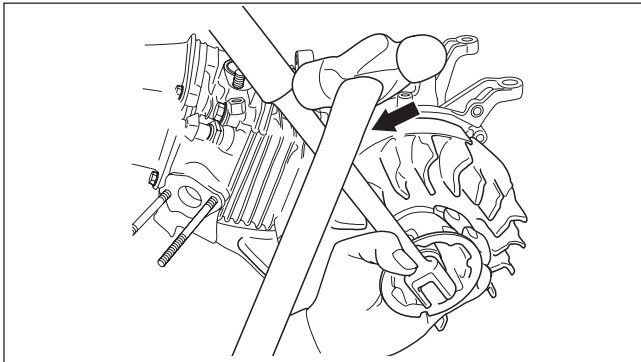


Fig. 5-10

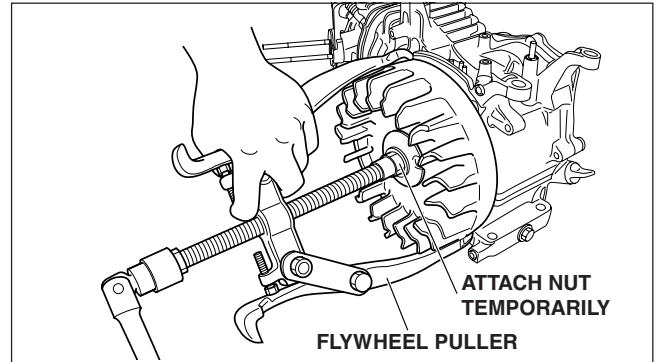


Fig. 5-11

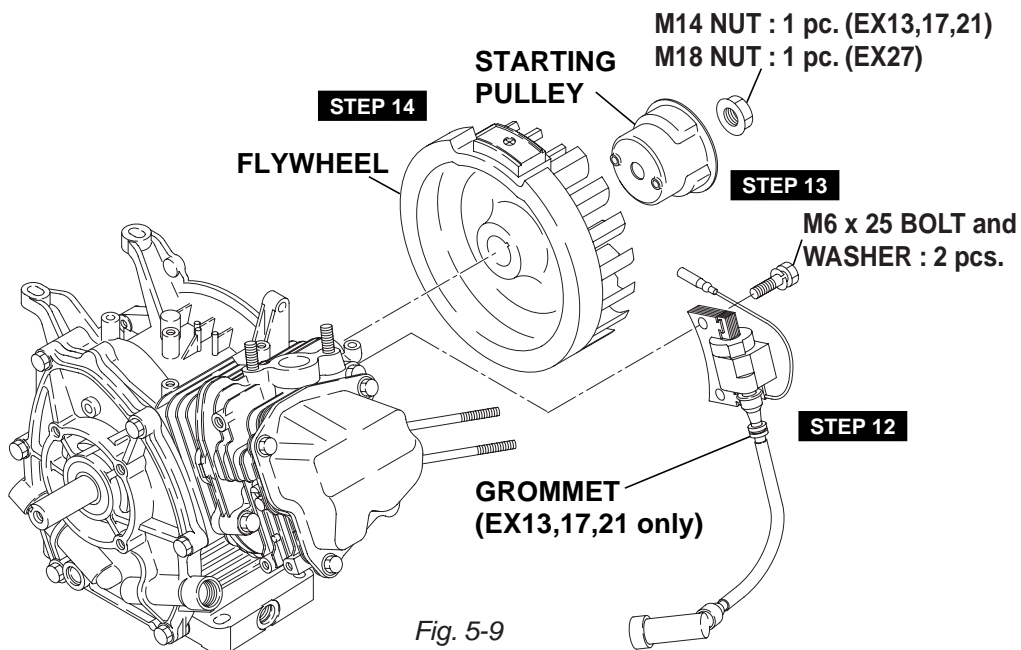


Fig. 5-9

Step	Parts to remove	Remarks and procedures	Fasteners
15	Electric starter (option) Control box, Diode rectifier, Magnetic switch	(1) Disconnect the grounding cable from battery. (2) Disconnect the wire leading from the key switch " ST " terminal to the magnetic switch. (3) Disconnect the wire that connects the positive terminal of the battery to the magnetic switch. (4) Remove the electric starter.	12 mm box spanner M8 nuts 10 mm box spanner 12 mm box spanner

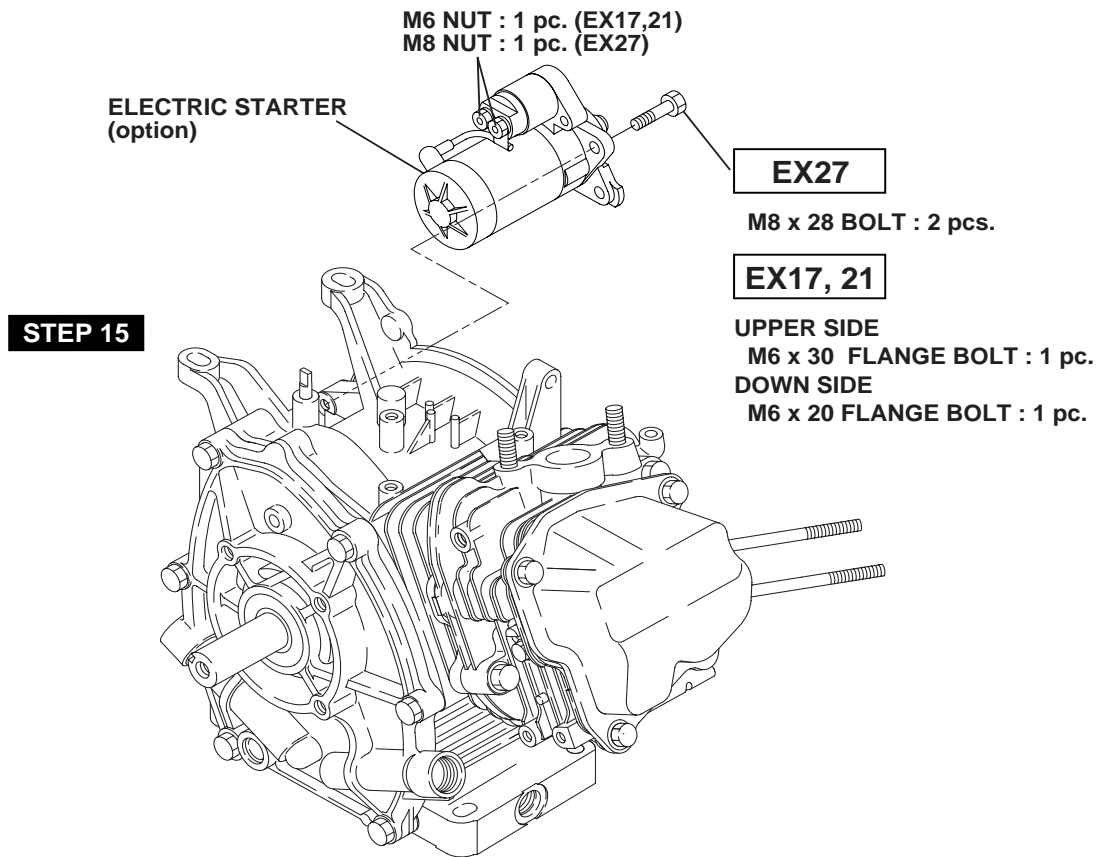


Fig. 5-8

Step	Parts to remove	Remarks and procedures	Fasteners
16	Baffle 1 (case)	Remove the baffle 1 (case)	M6 x 12mm : 1 pc. (Models EX13, 17 and 21) M8 x 12mm : 1 pc. (Model EX27)
17	Charge coil (option)	Remove the charge coil. (For EX27, remove the wire clamp together)	box spanner M6 x 20mm : 2 pcs. + screwdriver
18	Spark plug	Remove the spark plug from the cylinder head.	21 mm plug wrench

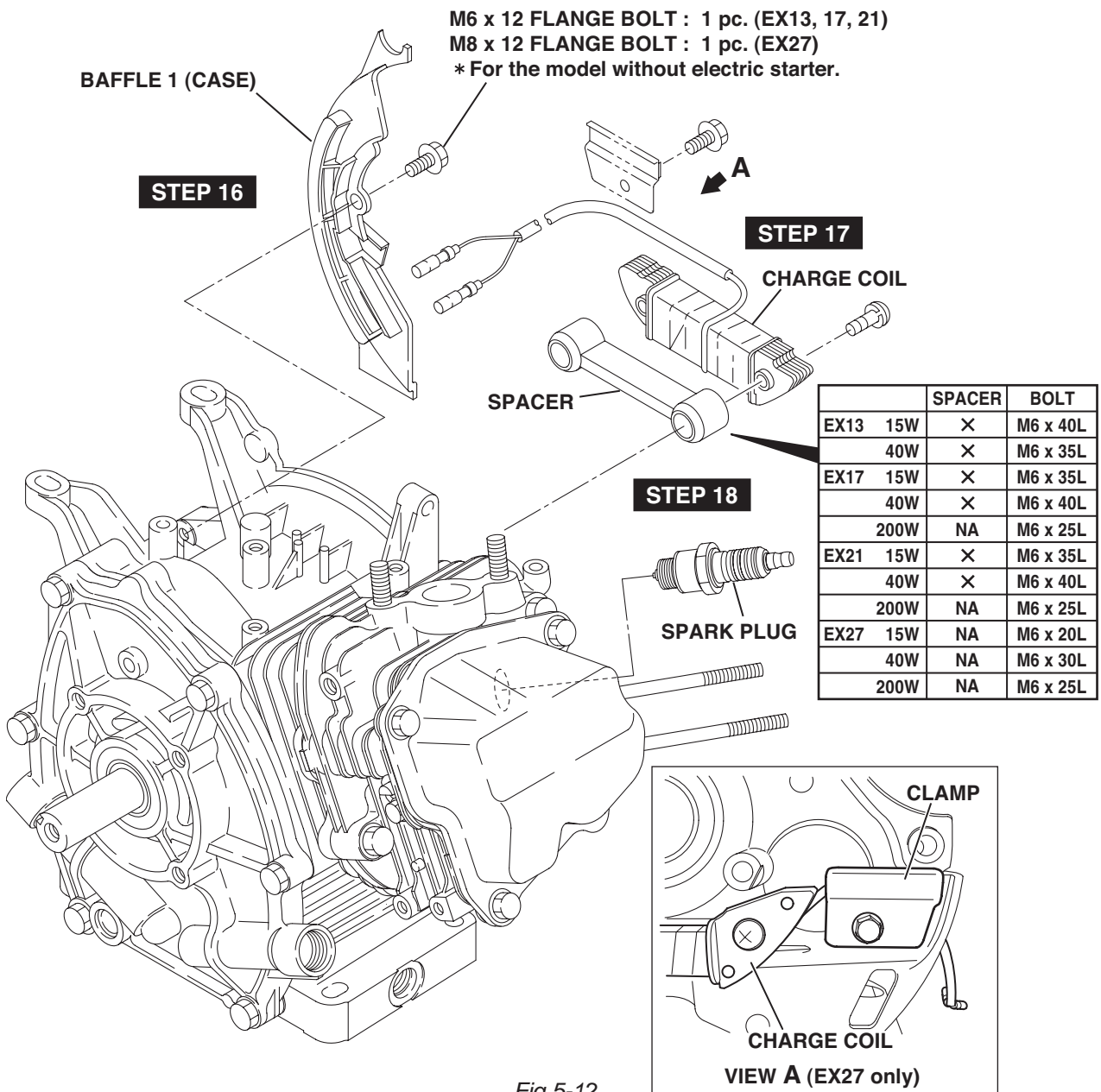


Fig.5-12

Step	Parts to remove	Remarks and procedures	Fasteners
19	Rocker cover	(1) Remove the rocker cover from the cylinder head. (2) Remove the gasket (rocker cover).	10 mm box spanner M6 x 12mm : 4 pcs.
20	Rocker arm	Remove the pin (rocker arm) and the rocker arm from the cylinder head at the compression top dead center. (See Fig. 5-14b)	

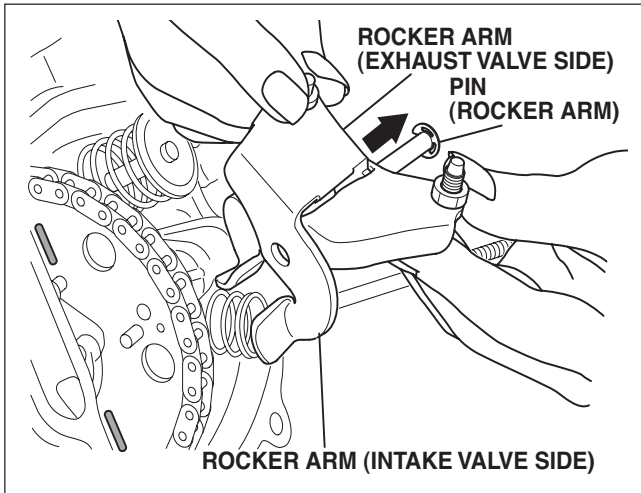


Fig. 5-14a

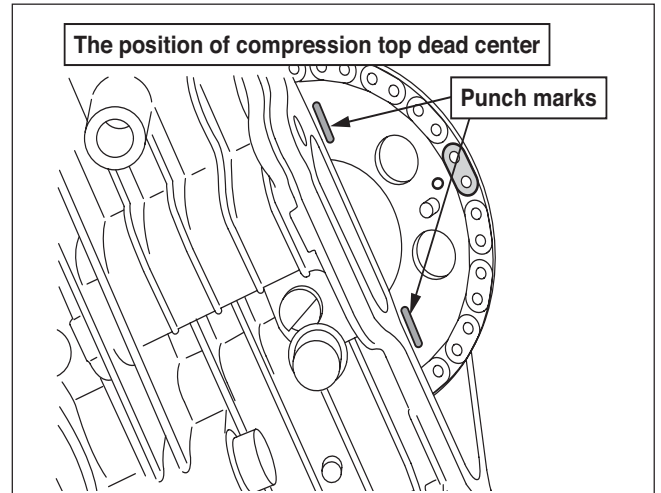


Fig. 5-14b

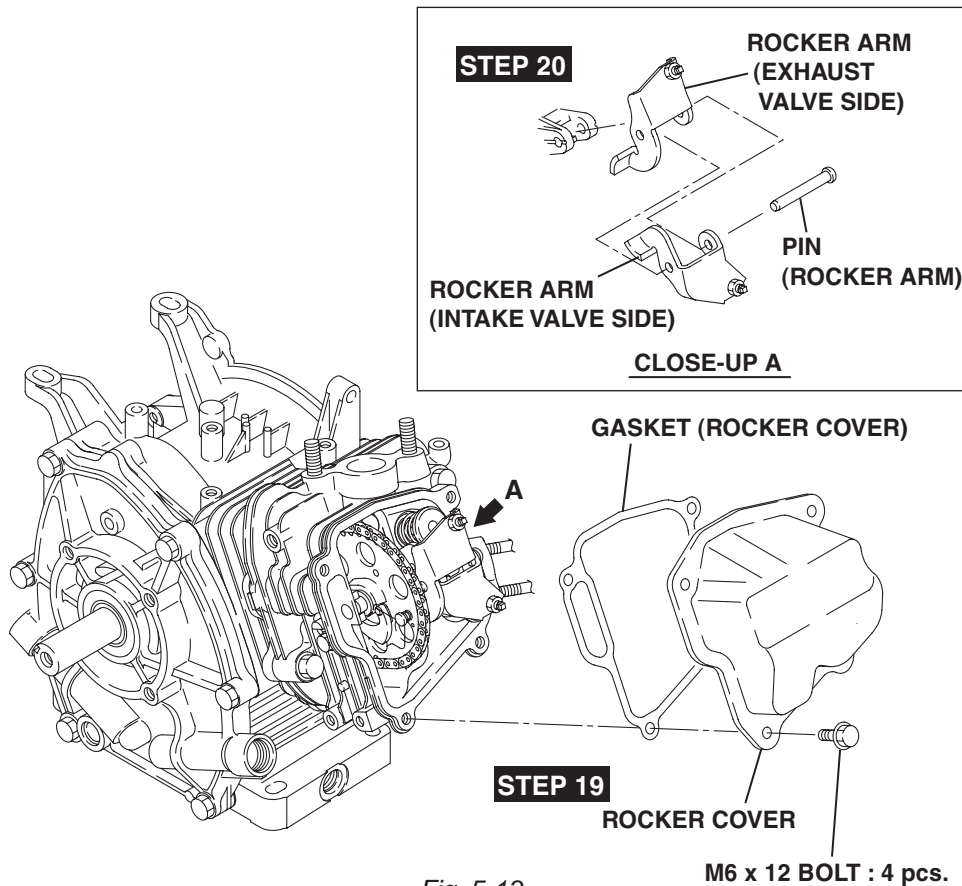


Fig. 5-13

Step	Parts to remove	Remarks and procedures	Fasteners
21	Main bearing cover	(1) Remove the flange bolts of main bearing cover from the crankcase. Remove the main bearing cover while tapping gently around the cover using a plastic hammer or similar tool. (See Fig. 5-16) Be careful not to damage the oil gauge or oil seal or not to lose the pipe knocks.	12 mm box spanner M8 x 35mm : 6 pcs. (Models EX13, 17 and 21) M8 x 35mm : 7 pcs. (Model EX27)

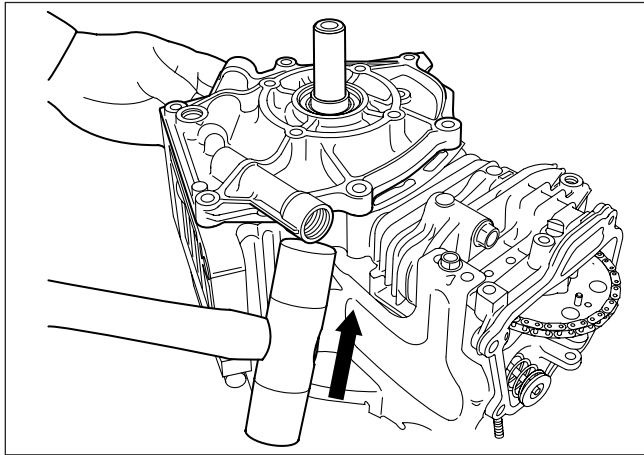
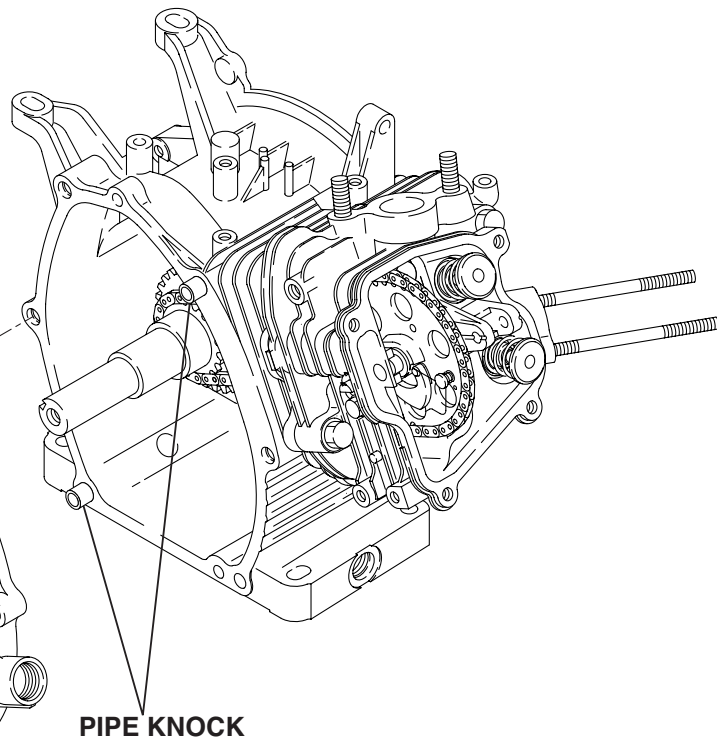


Fig. 5-16

M8 x 35mm : 6 pcs.
(MODELS EX13,
17 AND 21)
M8 x 35mm : 7 pcs.
(MODEL EX27)

STEP 21

MAIN BEARING COVER



PIPE KNOCK

Fig. 5-15

Step	Parts to remove	Remarks and procedures	Fasteners
22	Tensioner, Camshaft	(1) Remove the tensioner. (See Fig. 5-18a) Do not lose the pin (tensioner). (2) Remove the retaining bolt of pin (camshaft) from the cylinder head. (See Fig. 5-18b) (3) Remove the pin (camshaft), taking care not to scratch the O-ring. (4) Remove the chain from the camshaft sprocket and then take out the camshaft. (See Fig. 5-19) (5) Remove the chain from the crankshaft.	M10 box spanner or spanner M6 x 12mm : 1 pc.

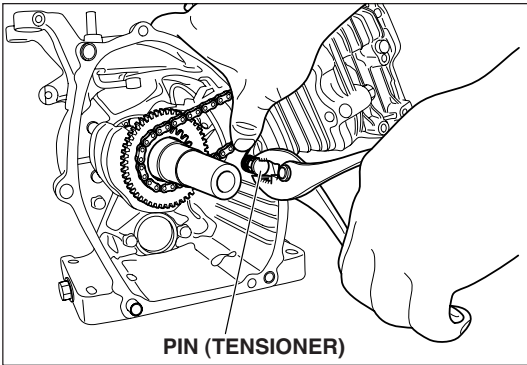


Fig.5-18a

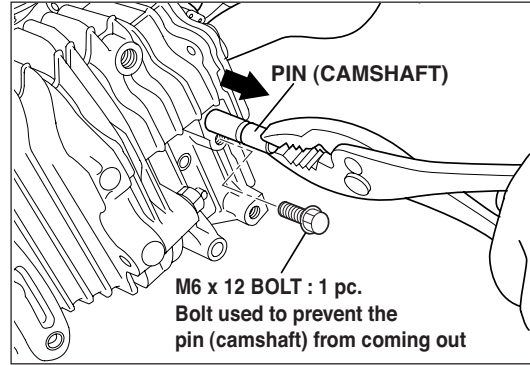


Fig.5-18b

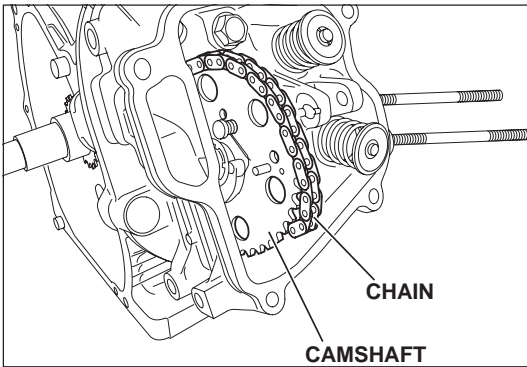


Fig.5-19

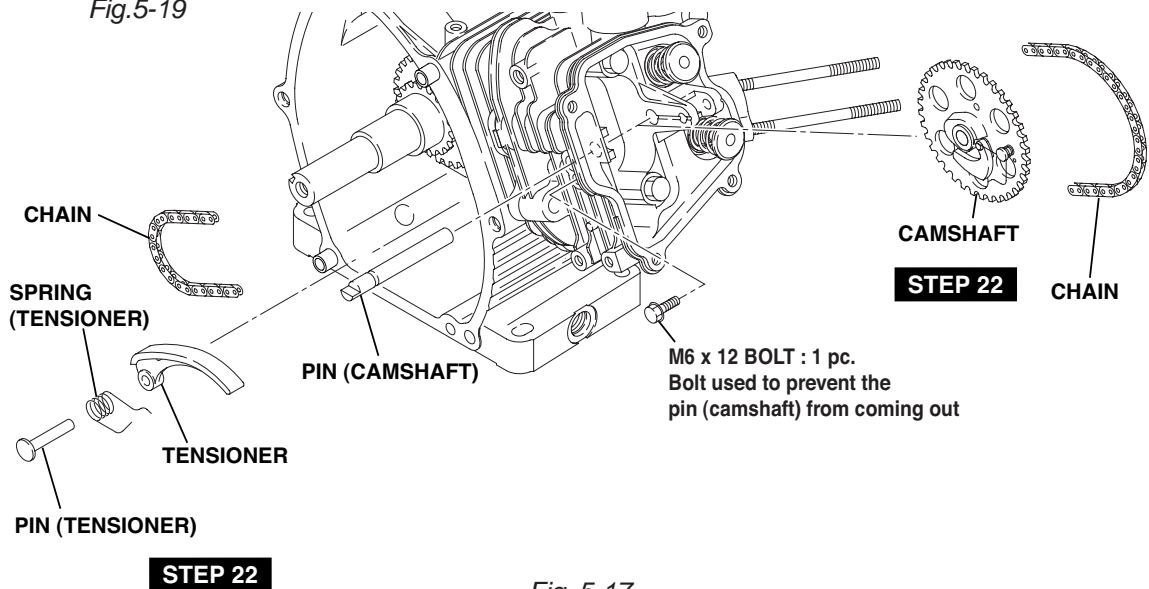


Fig. 5-17

Step	Parts to remove	Remarks and procedures	Fasteners
23	Cylinder head, Chain guide	(1) Remove the cylinder head from the crankcase. (2) Remove the cylinder head gasket from the cylinder head. Take care not to lose the pipe knocks. (3) Remove the chain guide from the top side of the crankcase. (If the chain guide is removed from the inner side of the crankcase, it might be damaged.)	12 mm box spanner M8 x 68mm : 4 pcs. M8 x 35mm : 1 pc.
24	Intake and exhaust valves	(1) Remove the collet valve from the spring retainer. (See Fig. 5-21) (2) Remove the intake valve and the exhaust valve.	

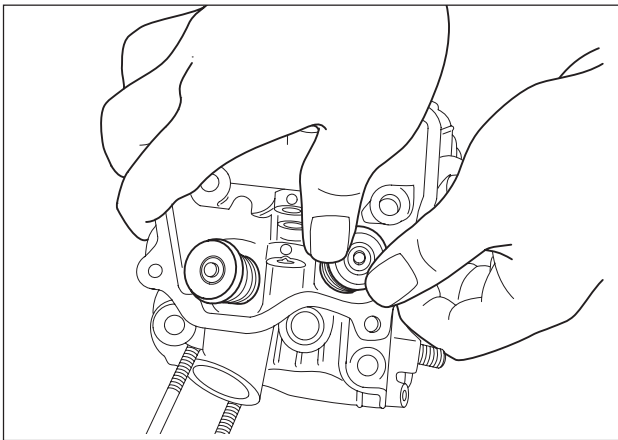


Fig.5-21

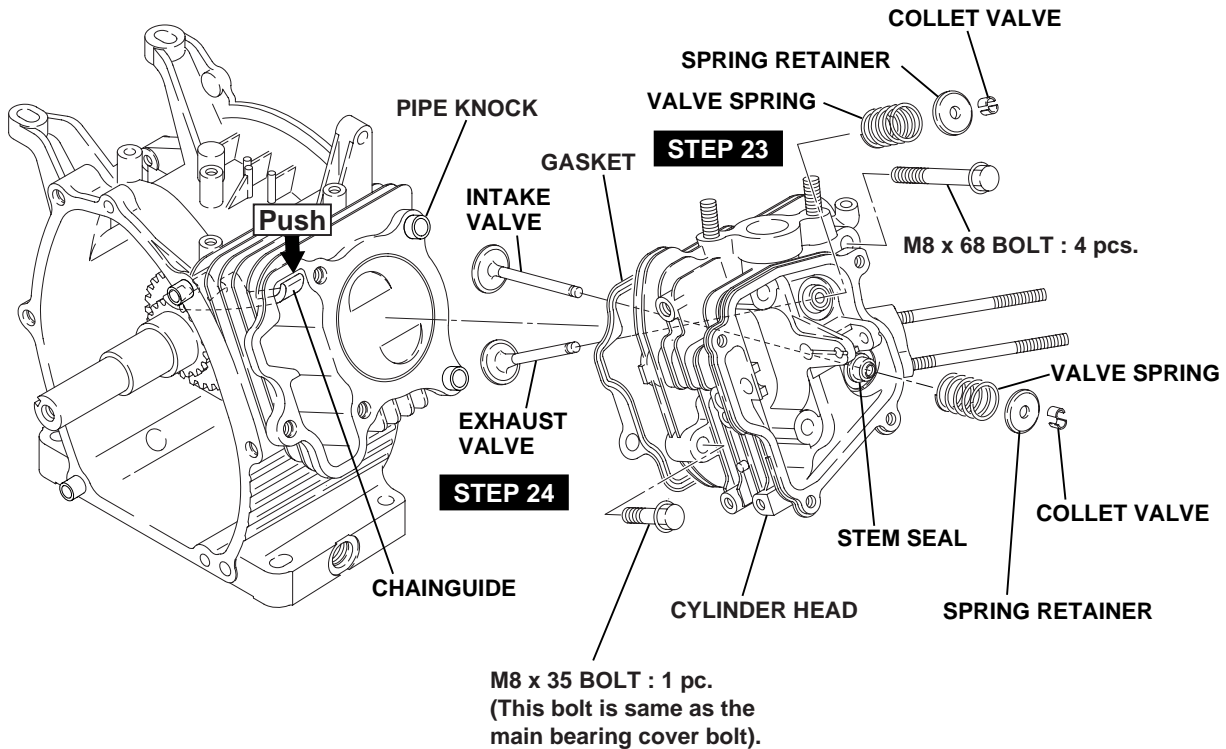


Fig.5-20

Step	Parts to remove	Remarks and procedures	Fasteners
25	Connecting rod and piston	<ol style="list-style-type: none"> (1) Scrape off any carbon from the cylinder and the piston head, then remove the connecting rod bolt. (2) Remove the connecting rod cap. (3) Rotate the crankshaft until the piston comes to its top position. Push the connecting rod and remove the piston from the upper part of the cylinder. 	10 mm box spanner M6 × 33mm : 2 pcs. (Models EX13, 17 and 21) M7 × 40mm : 2 pcs. (Model EX27)
26	Piston and piston rings	<ol style="list-style-type: none"> (1) Remove the piston clips (2 pcs.). Take out the piston pin and then remove the piston from the connecting rod small end, taking care not to damage the connecting rod small end. (2) Remove the piston rings from the piston by spreading them at the gap. Take special care not to damage the rings when doing this. 	

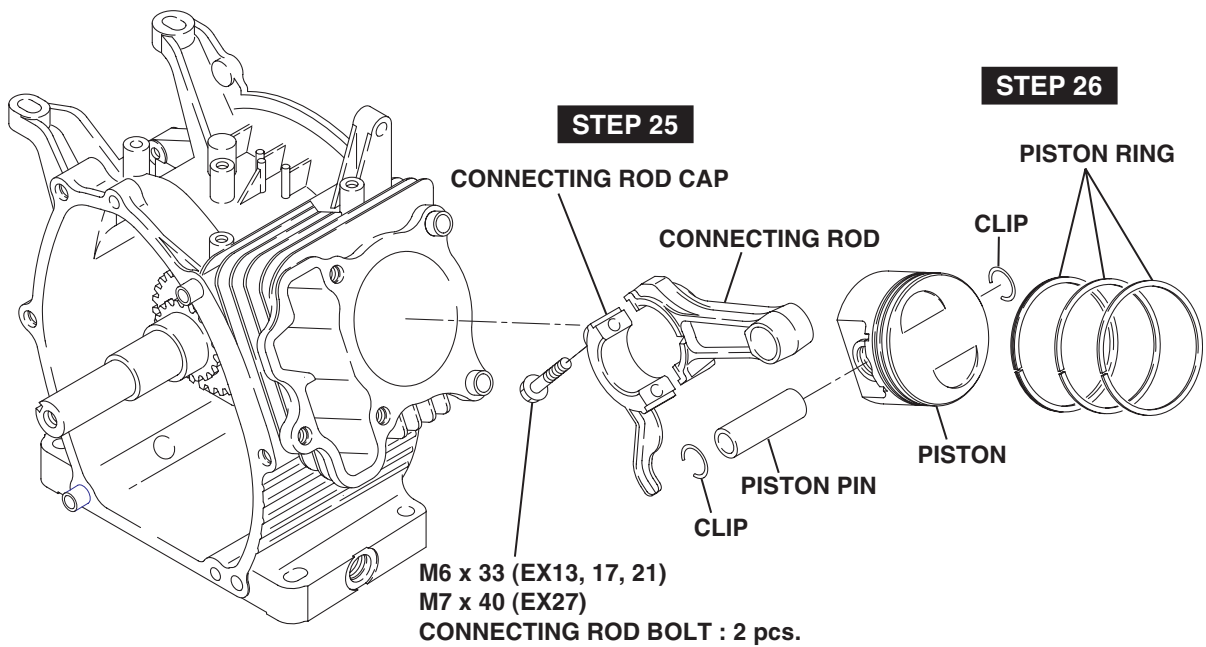


Fig.5-22

Step	Parts to remove	Remarks and procedures	Fasteners
27	Crankshaft	(1) Remove the woodruff key (for the flywheel magneto). (2) Remove the crankshaft from the crankcase by tapping its magneto side end with a plastic hammer, taking care not to damage the oil seal. (See Fig. 5-24)	Plastic hammer
28	Oil sensor (option)	(1) Remove the clamp. (See Fig. 5-25) (2) Remove the oil sensor from the crankcase.	M6 x 12mm : 1 pc. M6 x 16mm : 2 pcs.

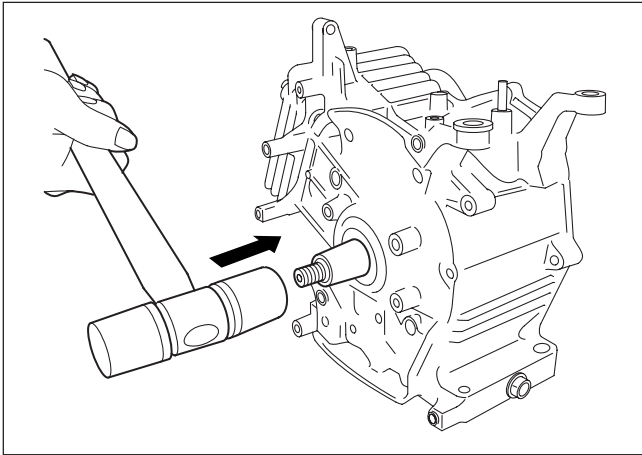


Fig.5-24

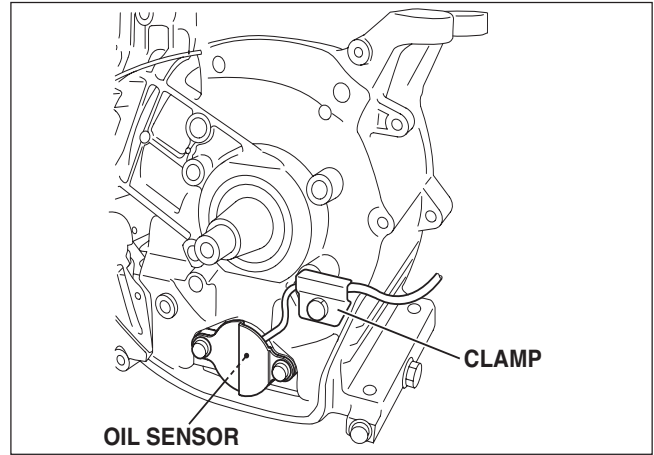


Fig.5-25

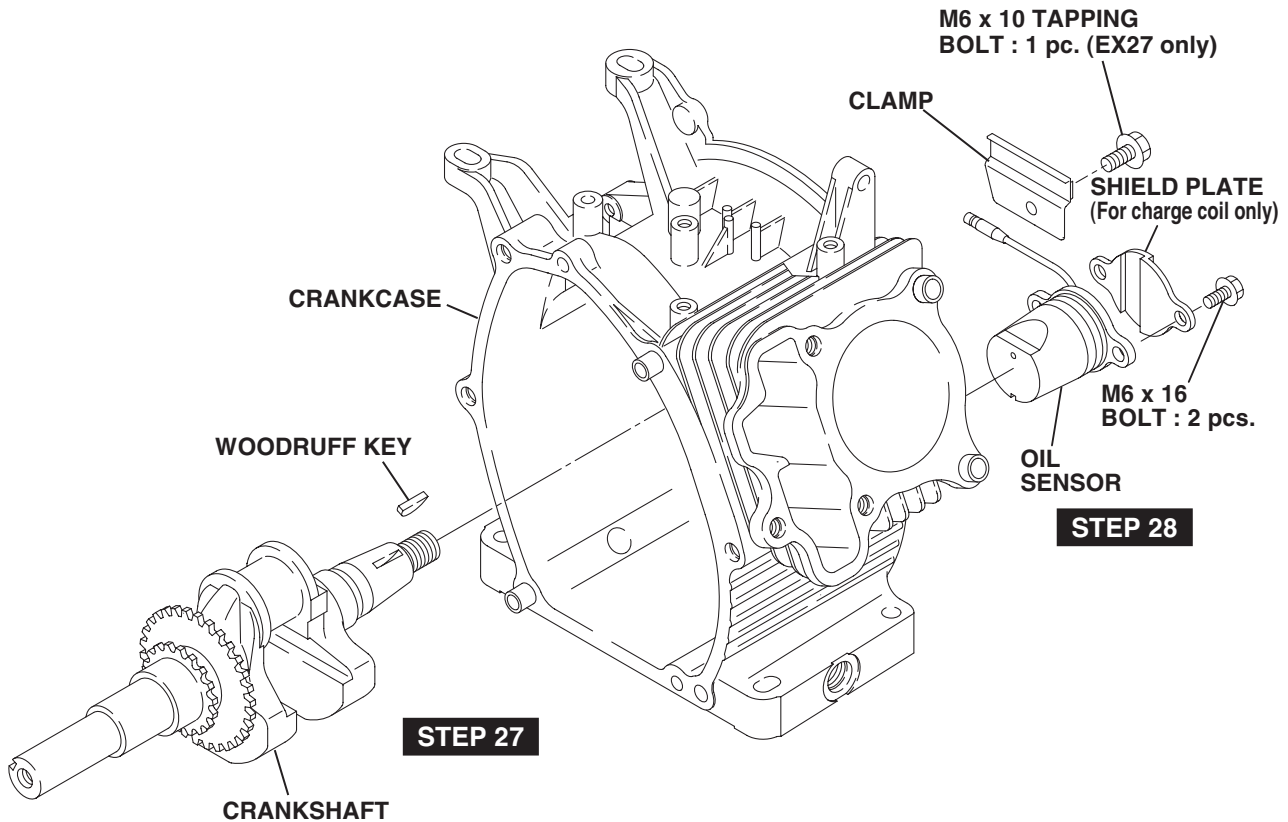


Fig.5-23

5-4 REASSEMBLY PROCEDURE

5-4-1 NOTES ON REASSEMBLY

- (1) Clean the each parts carefully, taking special care with the piston, cylinder, crankshaft, connecting rod and bearings.
- (2) Scrape off any carbon deposits on the cylinder head and the piston head. Be particularly careful when removing carbon from the piston ring grooves.
- (3) Inspect the oil seals for any damage to the lip. Replace them if damaged. Apply oil to the lip before reassembly.
- (4) Replace all the gaskets with new ones.
- (5) Replace the keys, pins, bolts and nuts with new ones, if necessary.
- (6) Tighten nuts and bolts to the specified torque settings.
- (7) When reassembling the engine, apply oil to all moving parts.
- (8) Check clearances and end plays and adjust, if necessary.
- (9) When mounting any major part during reassembly of the engine, rotate it with your hand to check for any jamming or abnormal noise.

5-4-2 ASSEMBLY STEPS AND PRECAUTIONS

(1) OIL SENSOR

- (a) Mount the oil sensor and fix the wire with the clamp.
- (b) Mount the shield plate only for charge coil type.

Tightening torque
10.0 N·m (100 kgf·cm) (7.2 ft·lb.)

- (c) Mount the control unit. Fix the earth wire of the control unit at the same time.
(See Fig. 5-49a on page 38).

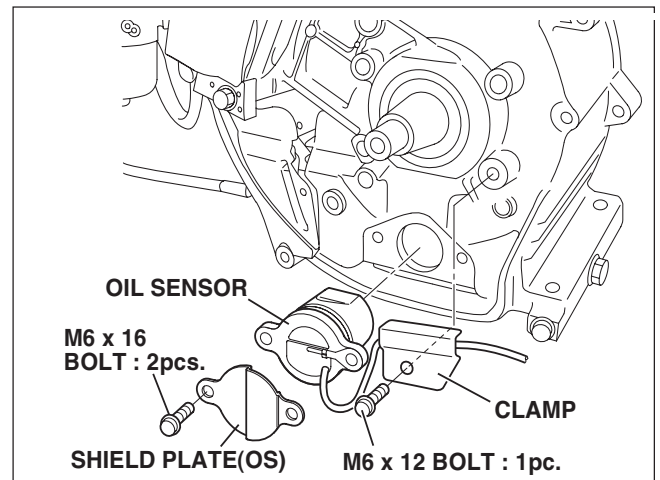


Fig.5-29

(2) CRANKSHAFT

- (a) Wrap the key-way portion of the crankshaft with polyvinyl tape and insert the crankshaft into the crankcase, taking care not to damage the oil seal lip.
- (b) Insert the woodruff key (for the flywheel magneto).

NOTE: Do not insert the woodruff key before inserting the crankshaft into the crankcase.

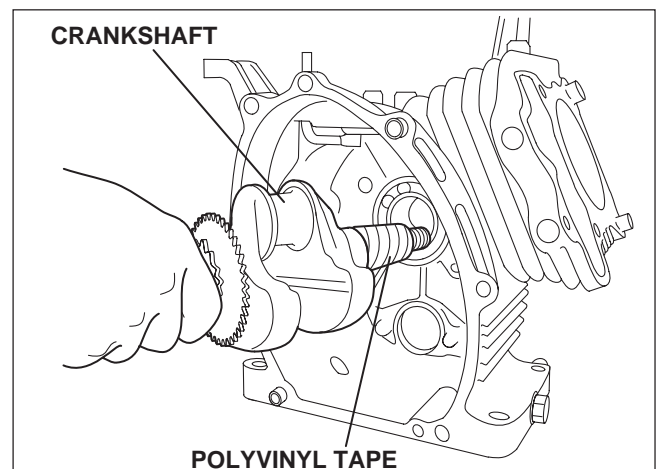


Fig.5-30

(3) PISTON AND PISTON RINGS

Install each piston ring in the correct groove of the piston by widening it enough to slide it over the piston.

NOTE: Be careful not to twist the rings too much, as they may be damaged. Install the oil ring first, followed by the second ring and then the top ring.

When installing the second ring, make sure that the 'N' mark is face up.

(See Fig. 5-33)

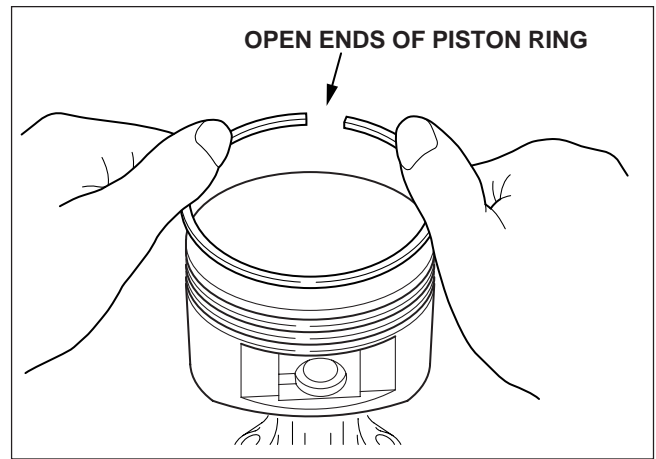


Fig.5-31

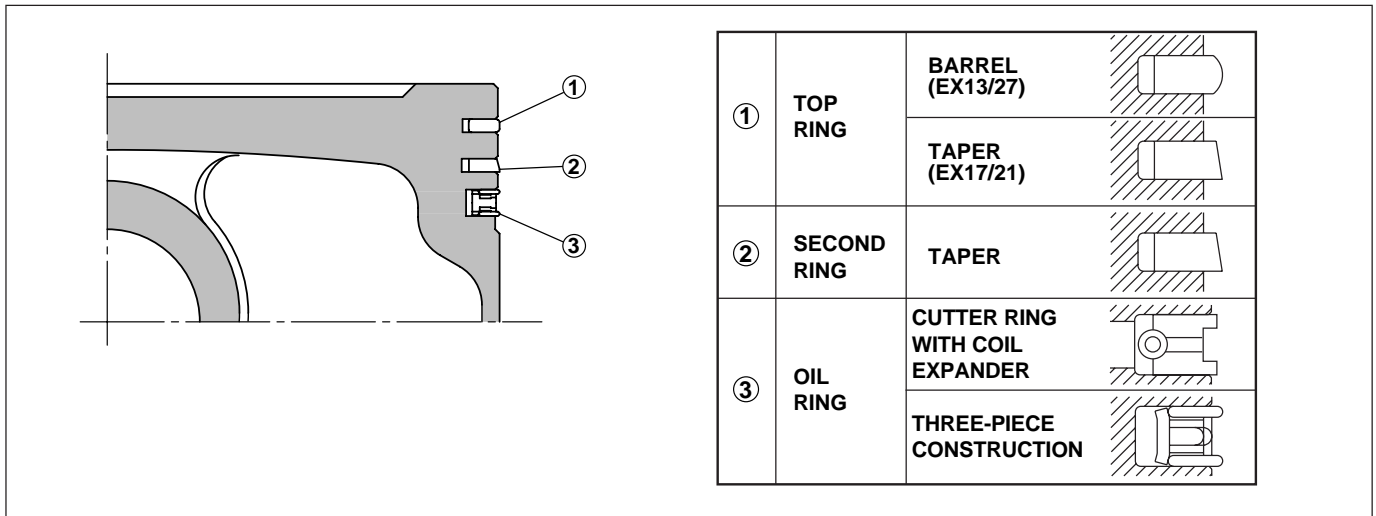


Fig.5-32

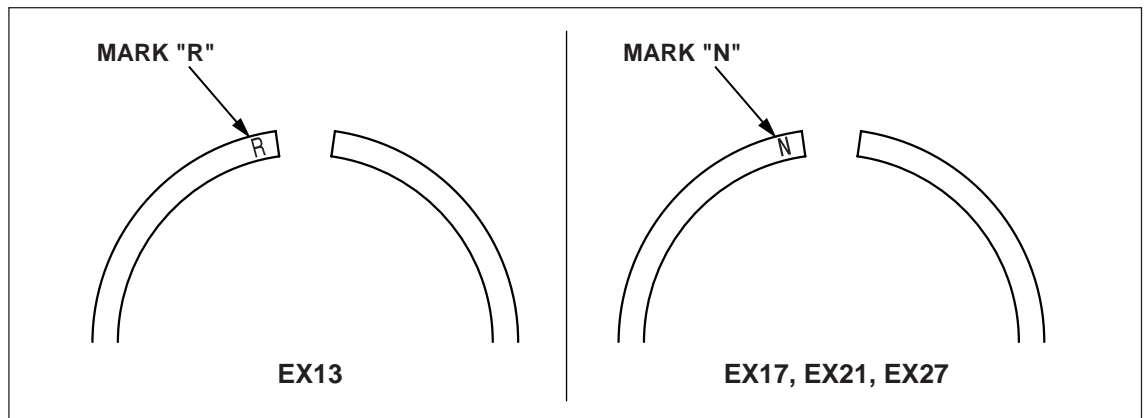


Fig.5-33

(4) PISTON AND CONNECTING ROD

The piston is attached to the connecting rod by the piston pin.

When assembling the piston and connecting rod, make sure to align the mark on the piston head with the 'MAG' mark on the connecting rod.

NOTE 1: Before assembling the connecting rod, apply oil to its small end.

NOTE 2: Be sure to insert the clips in the two ends of the piston pin and check the clips for any play.

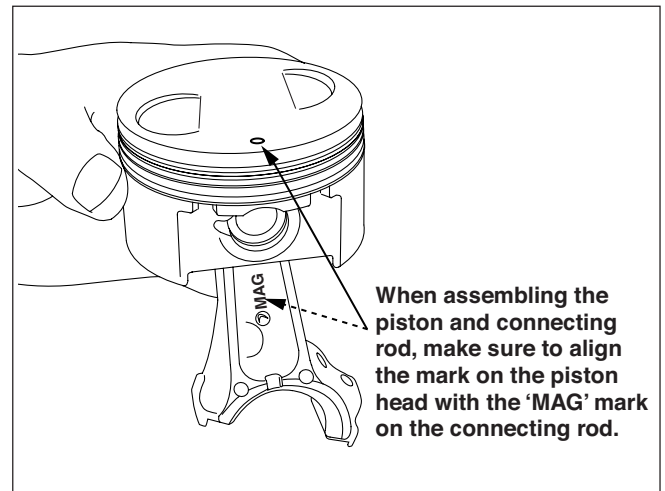


Fig. 5-34

(5) CONNECTING ROD

(a) Install the piston and connecting rod assembly into the cylinder by holding the piston rings with the ring guide, with the 'MAG' mark on the connecting rod on the flywheel side. (If you do not have a ring guide, hold the piston rings with the fingers and tap the upper part of the piston with a piece of wood.)

NOTE 1: Apply oil to the piston rings, the large end of the connecting rod and cylinder before installing the connecting rod into the cylinder.

NOTE 2: The piston ring gaps should be positioned around the piston at 90-degree intervals. (See Fig. 5-36)

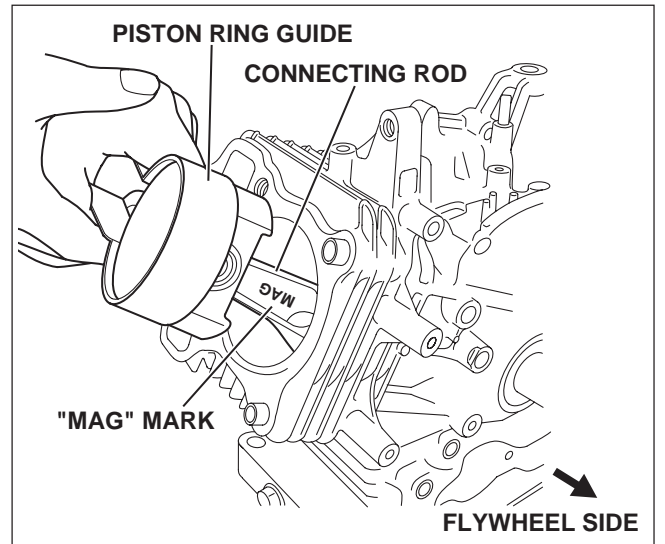


Fig.5-35

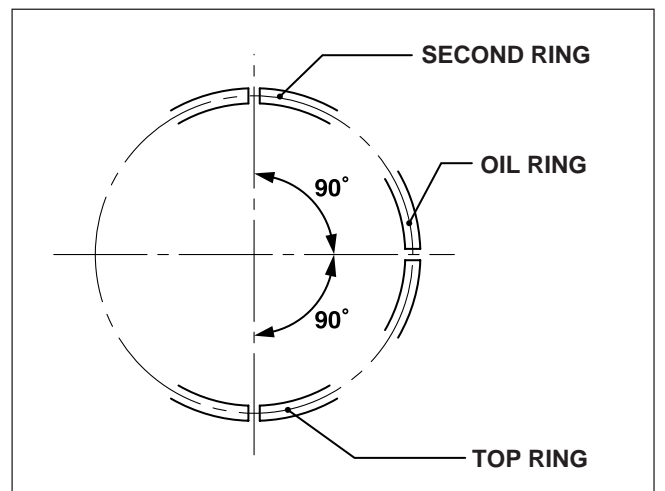


Fig.5-36

- (b) Rotate the crankshaft down to the bottom dead center and lightly tap the piston head until the large end of the connecting rod touches the crank pin.
- (c) To mount the connecting rod, line up the matching marks and fit the clinch portions firmly together.

Tightening torque	
EX13,17,21	EX27
13.0 - 15.0 N·m (130 - 150 kgf · cm) (9.4 - 10.8 ft · lb.)	17.0 - 20.0 N·m (170 - 200 kgf · cm) (12.3 - 14.5 ft · lb.)

- (d) Check for free movement of the connecting rod by turning the crankshaft slowly.

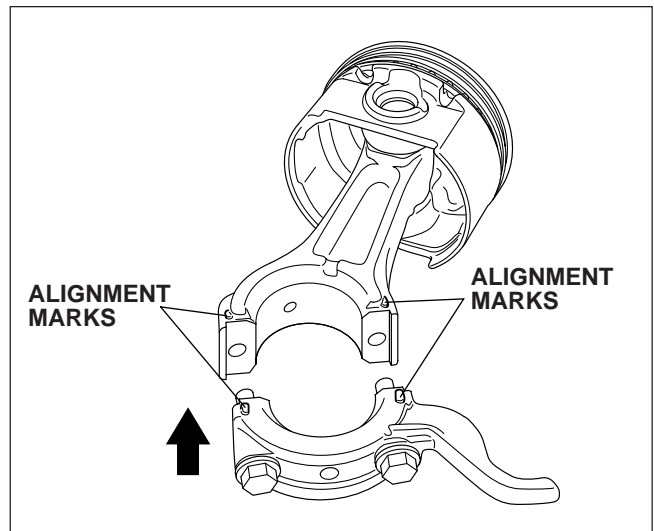


Fig. 5-37

(6) INTAKE AND EXHAUST VALVES

Take the following points into account when mounting the intake and exhaust valves on the cylinder head.

NOTE 1: Replace the valve with a new one if it shows signs of wear. (Refer to the "STANDARD REPAIR TABLES" on page 78 and 79.)

NOTE 2: Carefully scrape off any carbon deposits on the combustion chamber. Apply oil to the valve stems before mounting the intake and exhaust valves. Insert the valves in the cylinder head and place it on a level workbench. Next, mount the valve springs, the spring retainers and collet valves. (Mount the stem seal on the intake valve guide.)

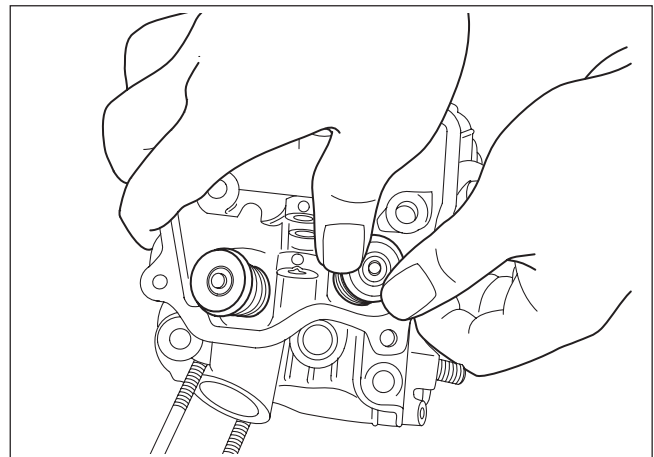


Fig. 5-38a

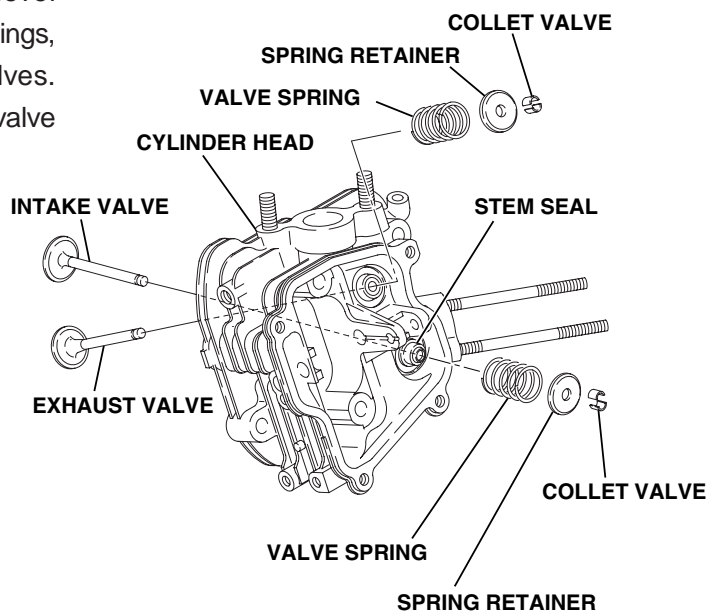


Fig.5-38b

(7) CHAIN GUIDE

Mount the chain guide to the crankcase.

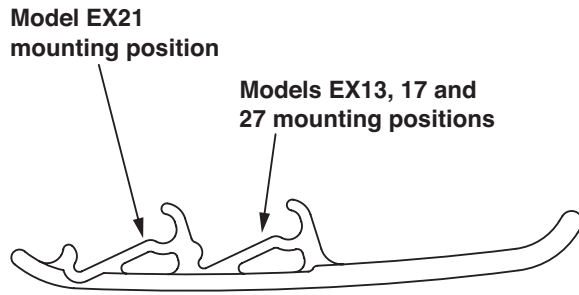


Fig. 5-39a

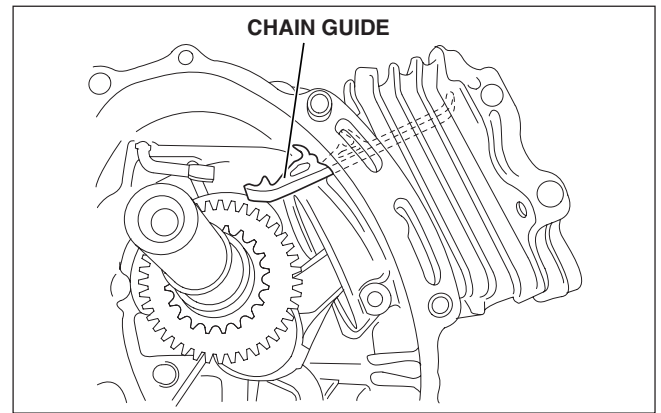


Fig. 5-39b

(8) CYLINDER HEAD

Inspect and repair any scratches on mounting surface and replace head gasket to new one before installing.

	Tightening Torque		Remarks
	1 st step	2 nd step	
Cylinder head bolts			
M8 x 68mm flange bolt : 4 pcs.	17.0 - 19.0 N·m (170 - 190 kgf·cm) (12.3 - 13.7 ft·lb.)	25.0 - 27.0 N·m (250 - 270 kgf·cm) (18.1 - 19.5 ft·lb.)	Re-use
M8 x 35mm flange bolt : 1 pc.		28.0 - 30.0 N·m (280 - 300 kgf·cm) (20.3 - 21.7 ft·lb.)	When replace to new cylinder head and flange bolts
		—	—

Tighten the cylinder head bolts in diagonal order.

(1) Re-use (Oil the screw thread)

Tighten all bolts (5pcs) by 18 ± 1 N·m primary, and then tighten longer ones (M8 x 68mm flange bolt: 4pcs) by 26 ± 1 N·m.

(2) When replace to new cylinder head and flange bolts (Oil the screw thread)

Tighten all bolts (5pcs) by 18 ± 1 N·m primary, and then tighten longer ones (M8 x 68mm flange bolt: 4pcs) by 29 ± 1 N·m.

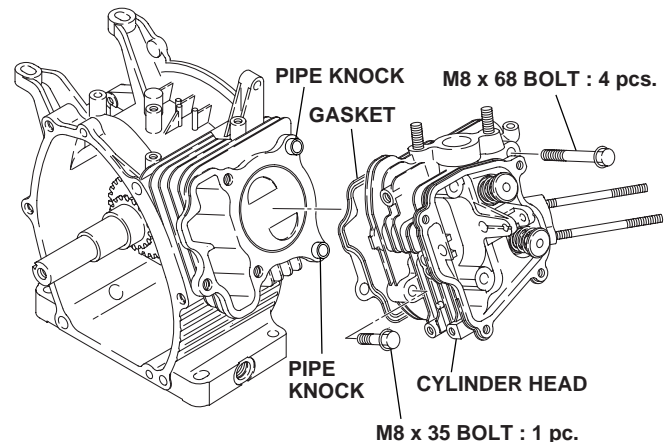


Fig. 5-40

(9) SETTING THE TIMING CHAIN

- (a) Align the timing mark on the crankshaft sprocket with the mark plate of the timing chain.
- (b) Align the timing mark on the crankshaft sprocket with the mark plate of the opposite end of the timing chain.

Model	EX13	EX17	EX21	EX27
Number of oval steel link	86	88	92	100

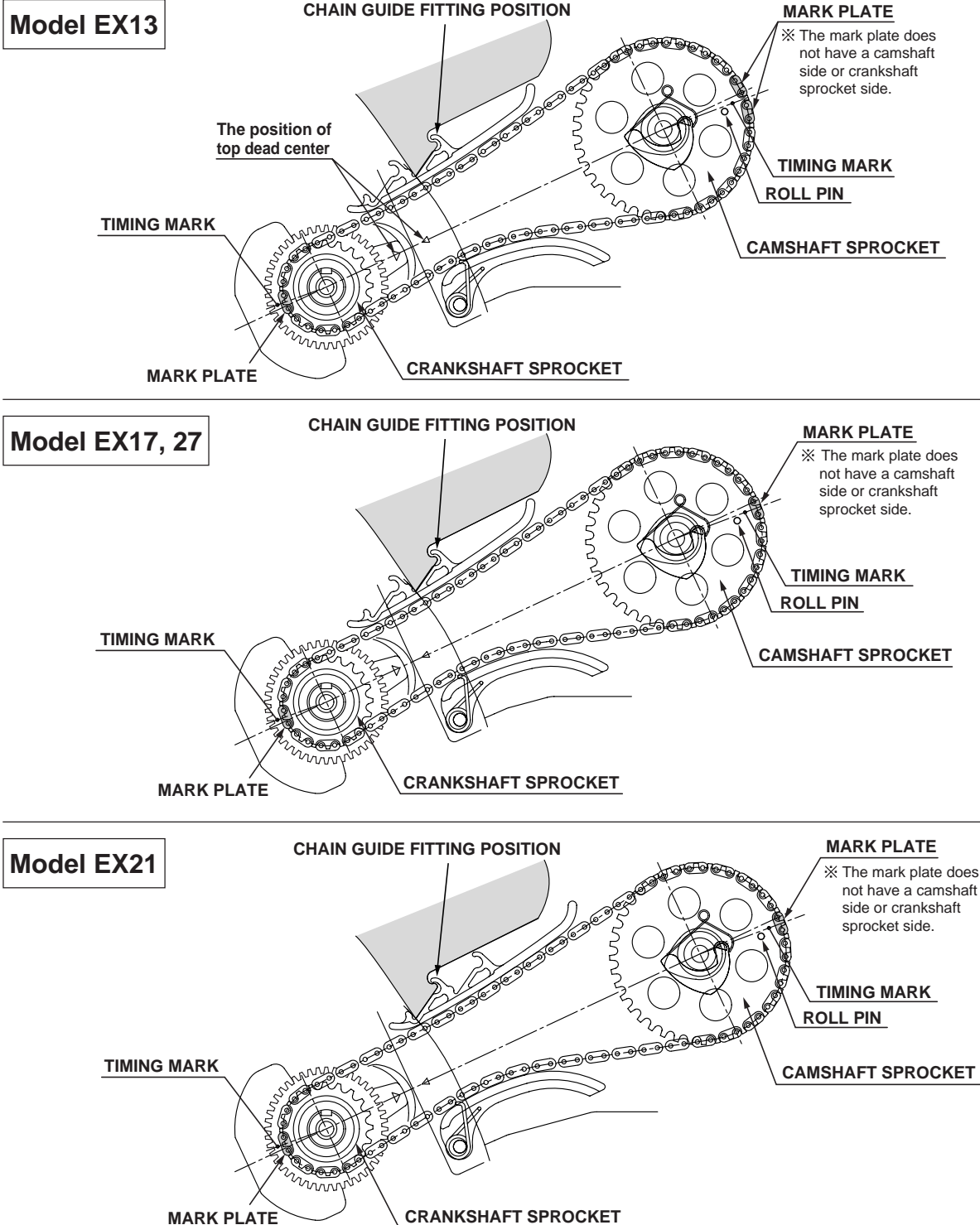


Fig. 5-41a

(10) MOUNTING THE CAMSHAFT ON THE CYLINDER HEAD

Mount the camshaft on the cylinder head by inserting the pin (camshaft) through the head. Fix the bolt to prevent the pin (camshaft) from coming out.

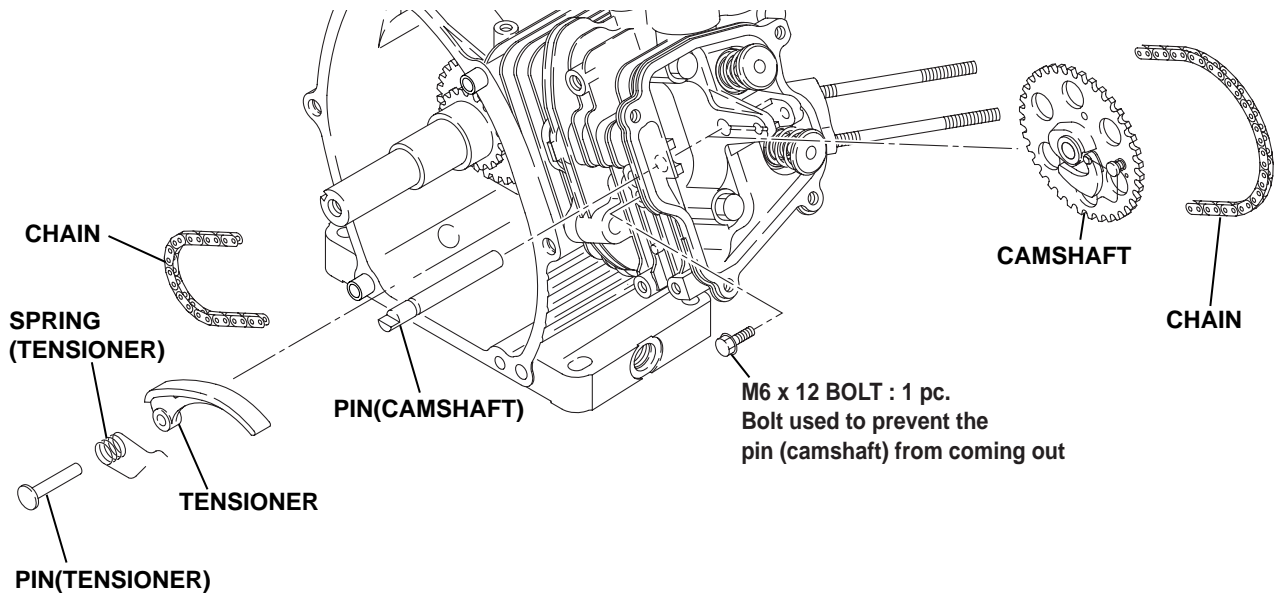
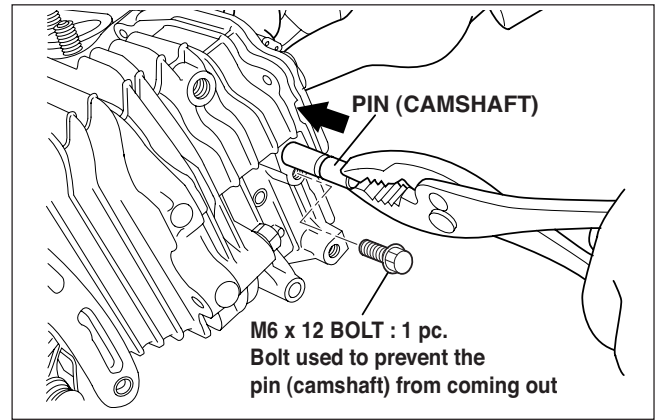
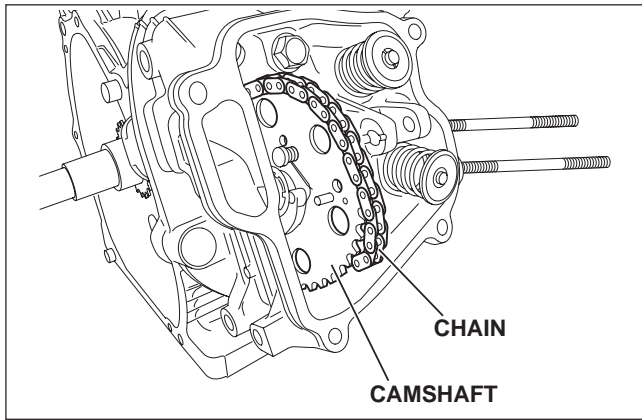


Fig. 5-41b

(11) MOUNTING THE TENSIONER

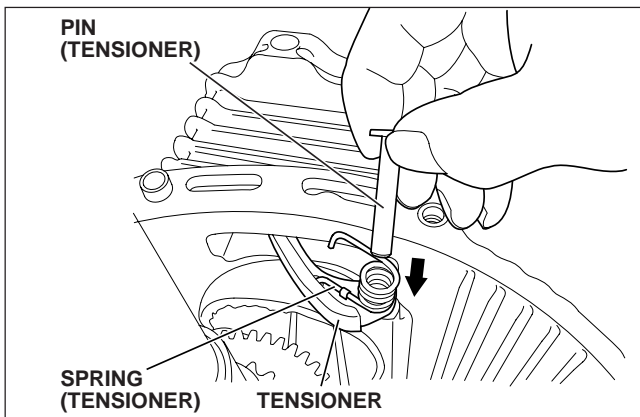


Fig. 5-42a

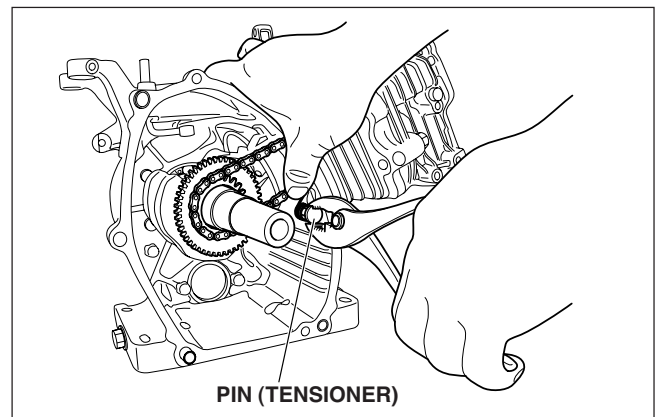


Fig. 5-42b

(12) BALANCER SHAFT (OPTION)

(for EX27 only)

Mount the balancer shaft on the crankcase, align the timing marks on the balancer gear and the crankshaft gear.

NOTE: Incorrect alignment of the timing marks can result in malfunction of the engine, leading to damage due to interference of the parts.

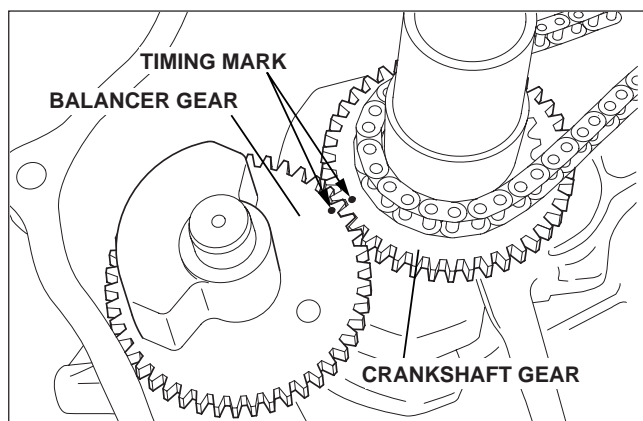


Fig. 5-43

(13) MAIN BEARING COVER

Apply oil to the bearing and the oil seal lip when mounting the main bearing cover. Also apply sealant (Three Bond 1215i) to the surface of the crankcase. To avoid damaging the oil seal lip, wrap the crankshaft key-way portion with polyvinyl tape before mounting the main bearing cover.

NOTE: Be careful that the lever portion of governor shaft does not face the main bearing cover.

Tightening torque
22.0 - 24.0 N·m (220 - 240 kgf·cm) (16.2 - 17.7 ft·lb.)

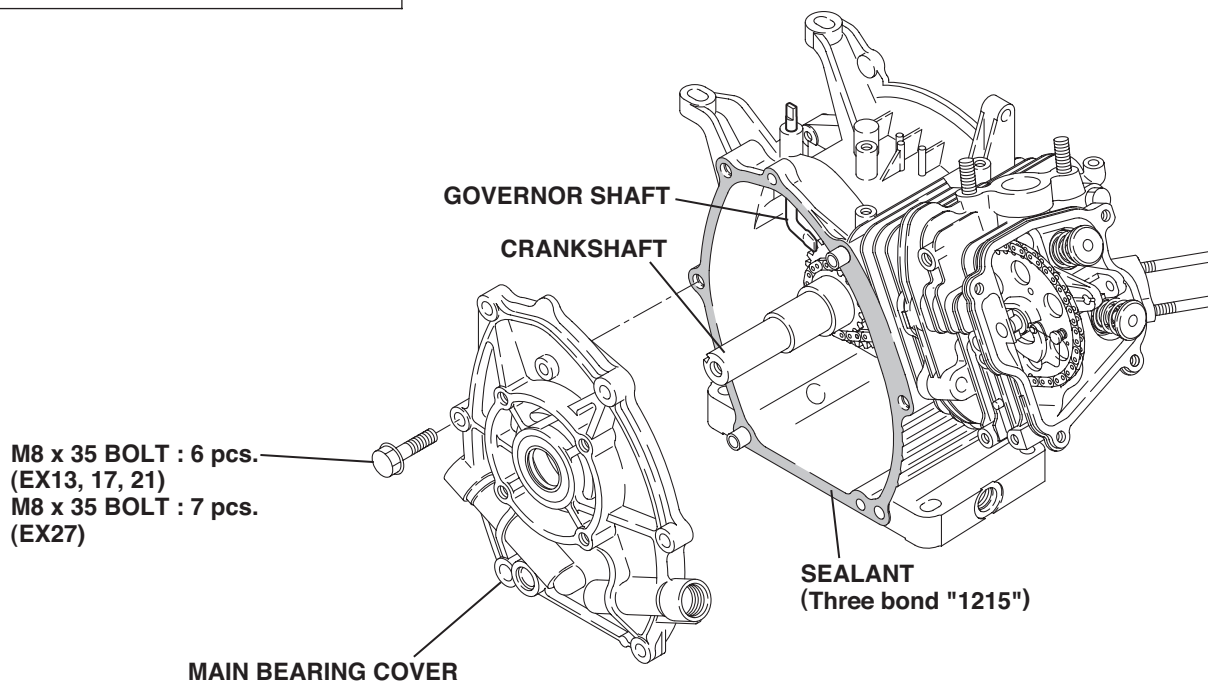


Fig. 5-44

- (14) Pass the pin (rocker arm) through the rocker arm and mount them on the cylinder head.

NOTE 1: Conduct this job at the compression top dead center.

(The position of two punch marks on cam sprocket is in parallel with the cylinder head surface at a time.)

NOTE 2: Make sure that the piston is at the compression top dead center by checking mutual position between the flywheel and the ignition coil or by checking that the key way is at the top.

(See each Fig.5-46)

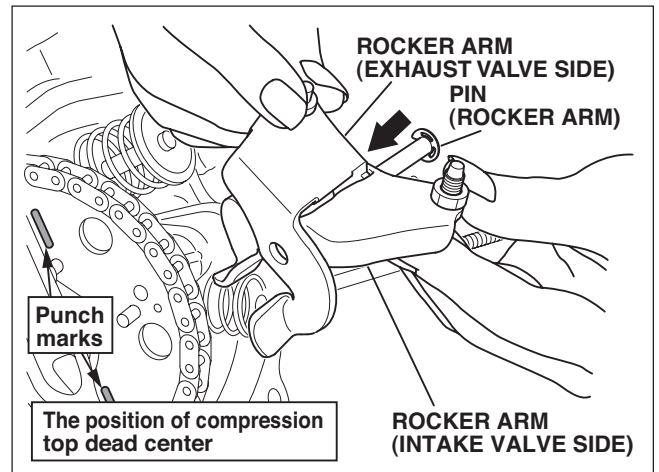


Fig. 5-45

(15) VALVE CLEARANCE ADJUSTMENT

Temporarily fit the flywheel.

Rotate the crankshaft up to the compression top dead center and insert the thickness gauge between the valve and the adjusting screw of rocker arm to measure the clearance.

[Adjustment method]

Loosen the nut on the adjustment screw and turn the screw to adjust the valve clearance. When the valve clearance is correct, tighten the nut.

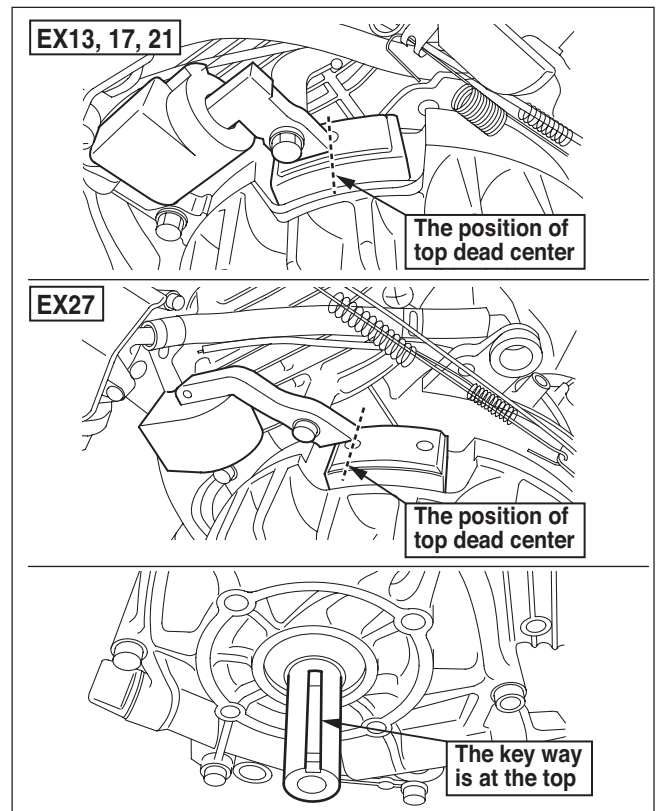


Fig. 5-46

Valve clearance (when the engine is cold)	
Intake valve side	0.12 ^{+0.03} ₀ mm (0.0047 ^{+0.0012} ₀ in.)
Exhaust valve side	

Tightening torque	5.0 - 7.0 N·m (50 - 70 kgf·cm) (3.6 - 5.1 ft·lb.)
-------------------	---

NOTE: After adjusting the valve clearances, rotate the crankshaft and check again that the intake and exhaust valve clearance are correct.

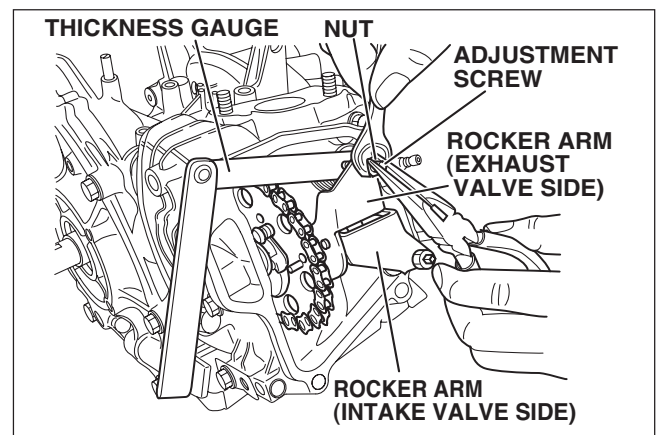


Fig. 5-47

(16) ROCKER COVER

Replace the gasket with a new one, and mount the rocker cover.

M6 x 12mm flange bolt : 4 pcs.

Tightening torque
5.0 - 7.0 N·m (50 - 70 kgf·cm) (3.6 - 5.1 ft·lb.)

(17) SPARK PLUG

Remove any carbon deposits from the spark plug and inspect the electrode for damage before mounting. Replace with a new one, if necessary.

**Spark plug: NGK BR-6HS
or CHAMPION RL86C**

Electrode gap	0.6 mm - 0.7 mm

(18) BAFFLE 1 (CASE)

Align the top and bottom of the baffle 1 (case) with the crankcase and mount it with the bolts.

[Model without electric starter]

M6 x 12 mm bolt : 1 pc.

(Models EX13, 17 and 21)

M8 x 12 mm bolt : 1 pc. (Model EX27)

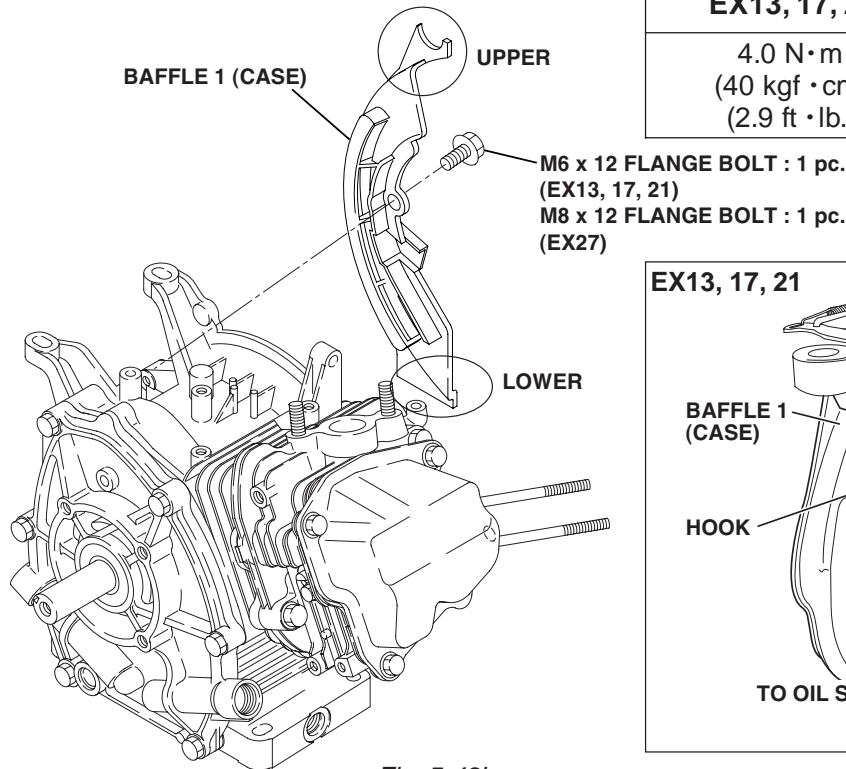


Fig. 5-49b

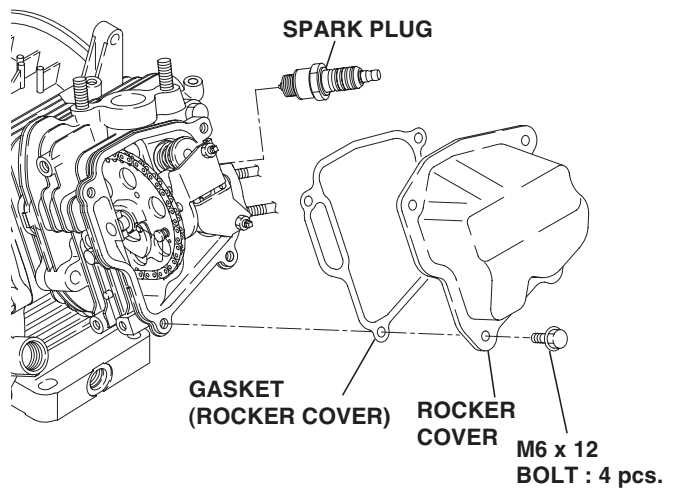


Fig. 5-48

Tightening torque	
New spark plug	Re-tightening torque
12.0 - 15.0 N·m (120 - 150 kgf·cm) (8.7 - 10.8 ft·lb.)	23.0 - 27.0 N·m (230 - 270 kgf·cm) (16.6 - 19.5 ft·lb.)

[Model with electric starter]

Mount the electric starter and the charging coil, referring to the illustrations of disassembly.

Tightening torque	
EX13, 17, 21	EX27
4.0 N·m (40 kgf·cm) (2.9 ft·lb.)	12.0 N·m (120 kgf·cm) (8.7 ft·lb.)

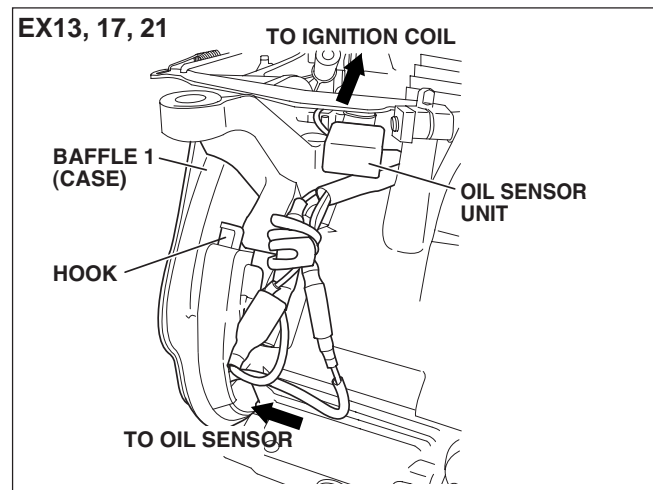


Fig. 5-49a

(19) FLYWHEEL AND STARTING PULLEY

NOTE: When mounting the flywheel, be sure to wipe off any oil on the tapered portion of the crankshaft and flywheel.

Mount the flywheel on the crankshaft. (Tighten the flywheel together with the starting pulley.)

Tightening torque	
59.0 - 64.0 N·m (590 - 640 kgf·cm) (42.7 - 46.3 ft·lb.)	

M14 nut : 1 pc. (EX13, 17, 21)

M18 nut : 1 pc. (EX27)

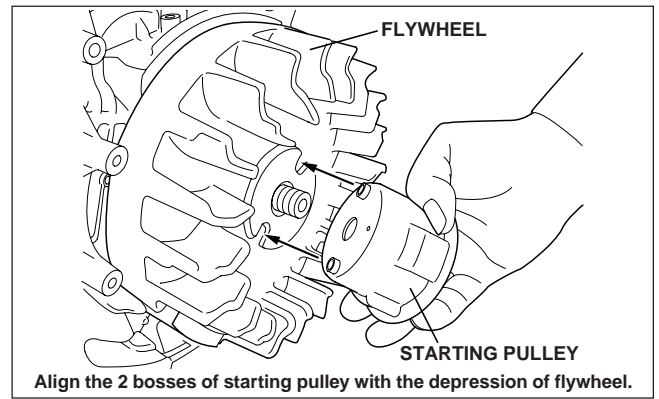


Fig. 5-50

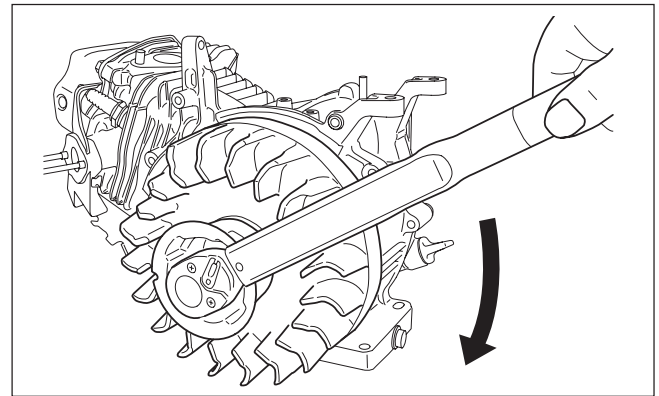


Fig. 5-51

(20) IGNITION COIL

When mounting the ignition coil, insert a thickness gauge between the ignition coil and the flywheel to check the air gap.

Air gap	0.3 - 0.5 mm
---------	--------------

Tightening torque	
7.0 - 9.0 N·m (70 - 90 kgf·cm) (5.1 - 6.5 ft·lb.)	

M6 x 25 bolt and washer : 2pcs.

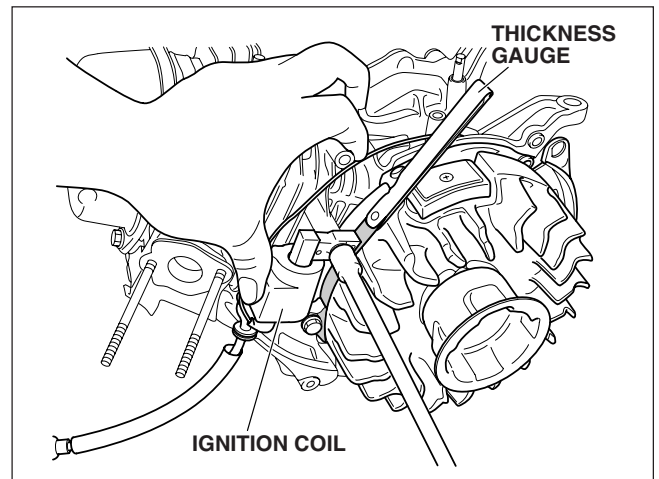


Fig. 5-52

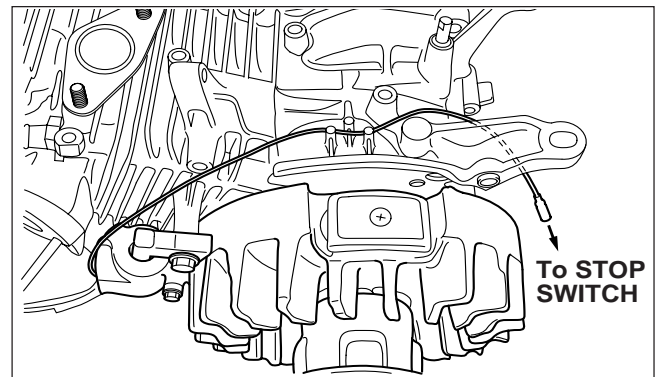


Fig. 5-53

(21) SPEED CONTROL LEVER, BRACKET AND BAFFLE

Mount the speed control lever and bracket, baffle 2 (head) and baffle 3 on the crankcase.

NOTE : The baffle 3 is used for Model EX21 only.

(22) CARBURETOR

(a) Replace the gasket of insulator with a new one and mount the insulator on the cylinder head intake side.

(b) Mount the carburetor.

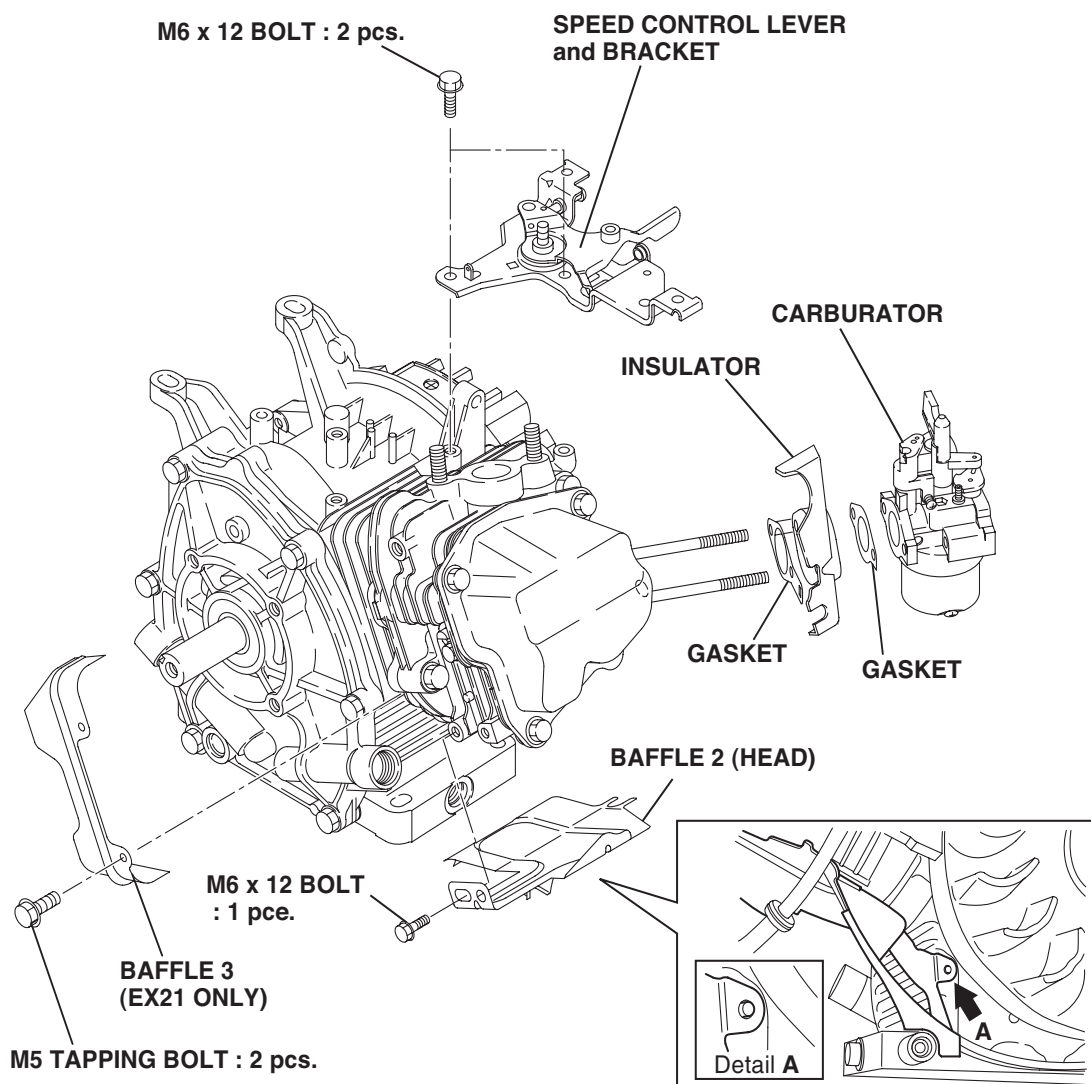


Fig. 5-54

(23) GOVERNOR LEVER

- (a) Pass the governor rod through the rod spring, then connect to the throttle lever of the carburetor.
- (b) Attach the governor rod and rod spring to the governor lever, then mount the governor lever on the governor shaft. Do not adjust the bolt on the governor lever yet.
- (c) Connect the governor lever and the speed control lever with the governor spring.

NOTE : See page 42 for details on the adjustment method after mounting air cleaner base.

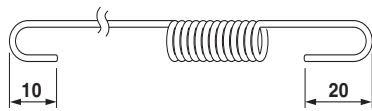
Variation of the governor spring

The dimensions of the governor spring are different each other according to the Hz.

The governor spring for the standard engine is same as that for the engine to be connected to the 60Hz generator.

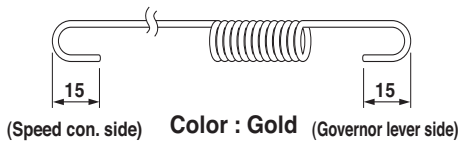
Discrimination according to the dimensions:

EX13, 17 / 50Hz



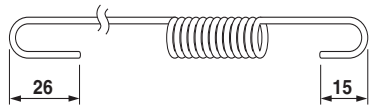
Color : Gold

EX21, 27 / 50Hz



(Speed con. side) Color : Gold (Governor lever side)

EX13, 17, 21, 27 / 60Hz (STD)



Color : Silver

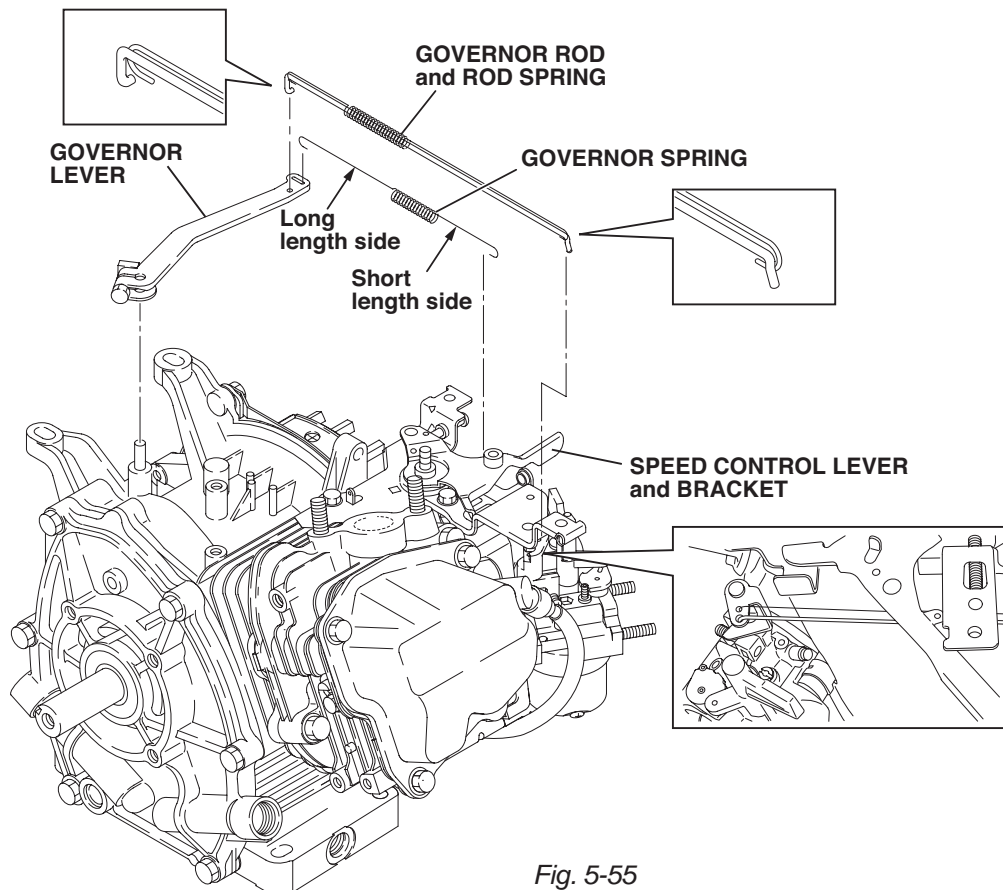


Fig. 5-55

(24) AIR CLEANER BASE

Insert the breather pipe into the rocker cover and then mount the air cleaner base.

M6 flange nut : 2 pcs.

M6 x 20 mm flange bolt : 1 pc.

Tightening torque
6.0 - 8.0 N·m (60 - 80 kgf·cm) (4.3 - 5.8 ft·lb.)

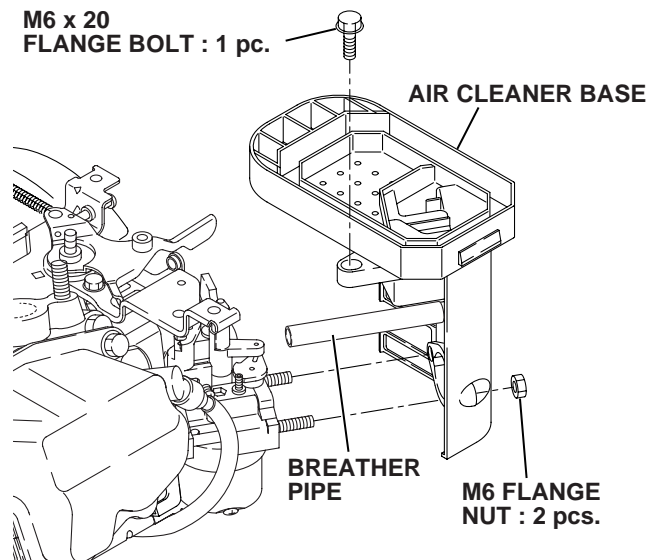


Fig. 5-57

Governor system adjustment method

The governor unit is a centrifugal flyweight type and is installed on the governor gear.

Since it automatically adjusts the throttle valve of the carburetor by means of a link mechanism, it is possible to maintain a constant engine speed, even with load variations.

- (1) Turn the speed control lever to the full speed position, making sure that the carburetor throttle valve is fully open.
- (2) Hold the top of the governor shaft with the plier and turning it clockwise as far as it will go. Tighten the bolt on the governor lever.

Tightening torque
8.0 - 10.0 N·m (80 - 100 kgf·cm) (5.8 - 7.2 ft·lb.)

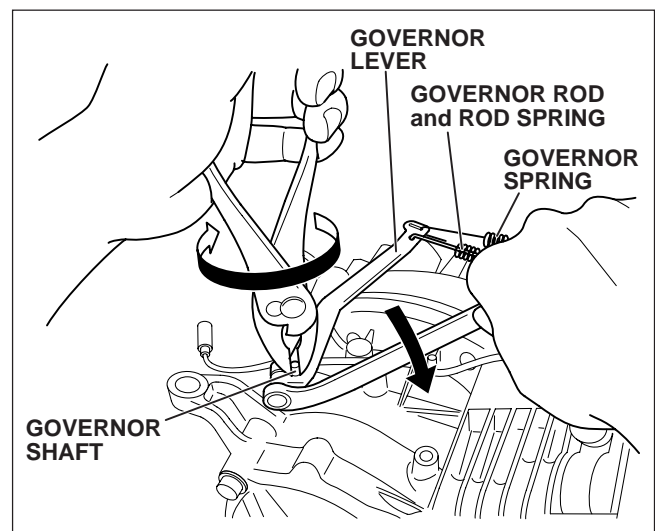
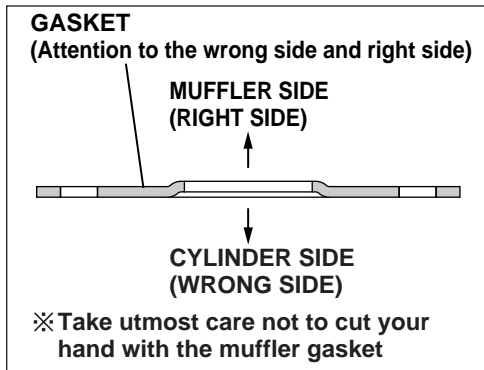


Fig. 5-58

(25) MUFFLER

- (1) Mount the muffler and the gasket on the cylinder head.



M8 X12 mm bolt : 1 pc.

M8 nut : 2 pcs.

Tightening torque
18.0 - 22.0 N·m (180 - 220 kgf·cm) (13.0 - 15.9 ft·lb.)

- (2) Mount the muffler cover on the muffler.

M6 X 8 mm flange bolt : 1 pc.

M6 X 10 mm tapping bolt : 2 pcs.

NOTE : Be sure to remove any tape or cloth used to cover the exhaust port when the engine was disassembled.

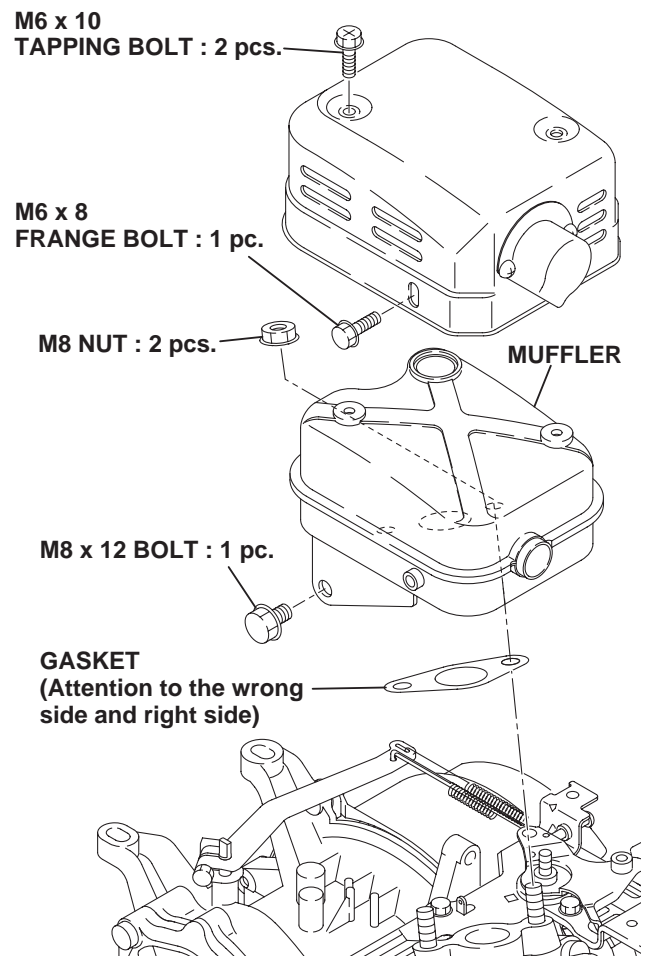


Fig. 5-59a

(26) FUEL TANK

- (1) Mount the fuel strainer to the fuel tank.

Tightening torque for fuel strainer
3.0 - 4.0 N·m (30 - 40 kgf·cm) (2.2 - 2.9 ft·lb.)

- (2) Connect the fuel pipe and fix it with a clamp.

Model	EX13	EX17	EX21	EX27
Fuel pipe length mm(in.)	145(5.7)	150(5.9)	155(6.1)	195(7.7)

NOTE : Make sure the fuel pipe is located on the boss, as shown in the illustration, in order to prevent the pipe from attaching to the flywheel. In case the pipe is routed improperly, the pipe might be hit by the flywheel and will be damaged.

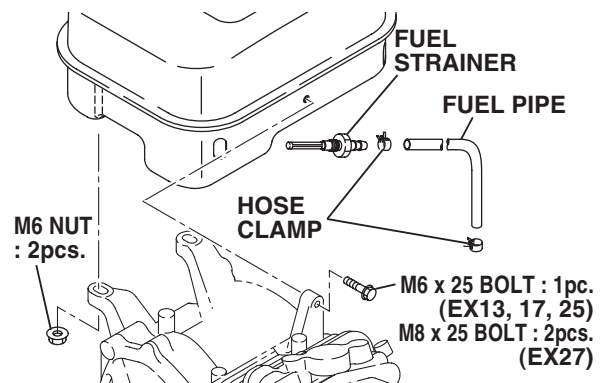


Fig. 5-59b

- (3) Mount the fuel tank on the crankcase.
 M6 nut : 2 pcs.
 M6 X 25 mm bolt : 1 pc. (Models EX13, 17 and 21)
 M8 X 25 mm bolt : 2 pcs. (Model EX27)

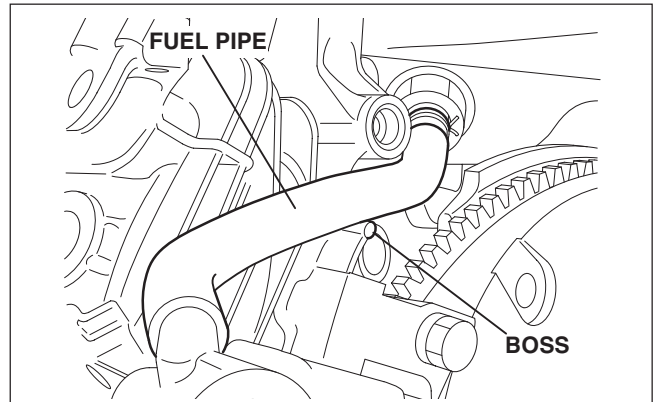


Fig. 5-59c

(27) BLOWER HOUSING AND RECOIL STARTER

- (1) Mount the ignition coil cord on the crankcase by aligning it with the baffle 1 (case).
 (2) Mount the blower housing on the crankcase.
 M6 x 12 mm bolt : 4 pcs.
 (3) Mount the recoil starter on the blower housing.
 M6 x 8 mm bolt : 4 pcs.

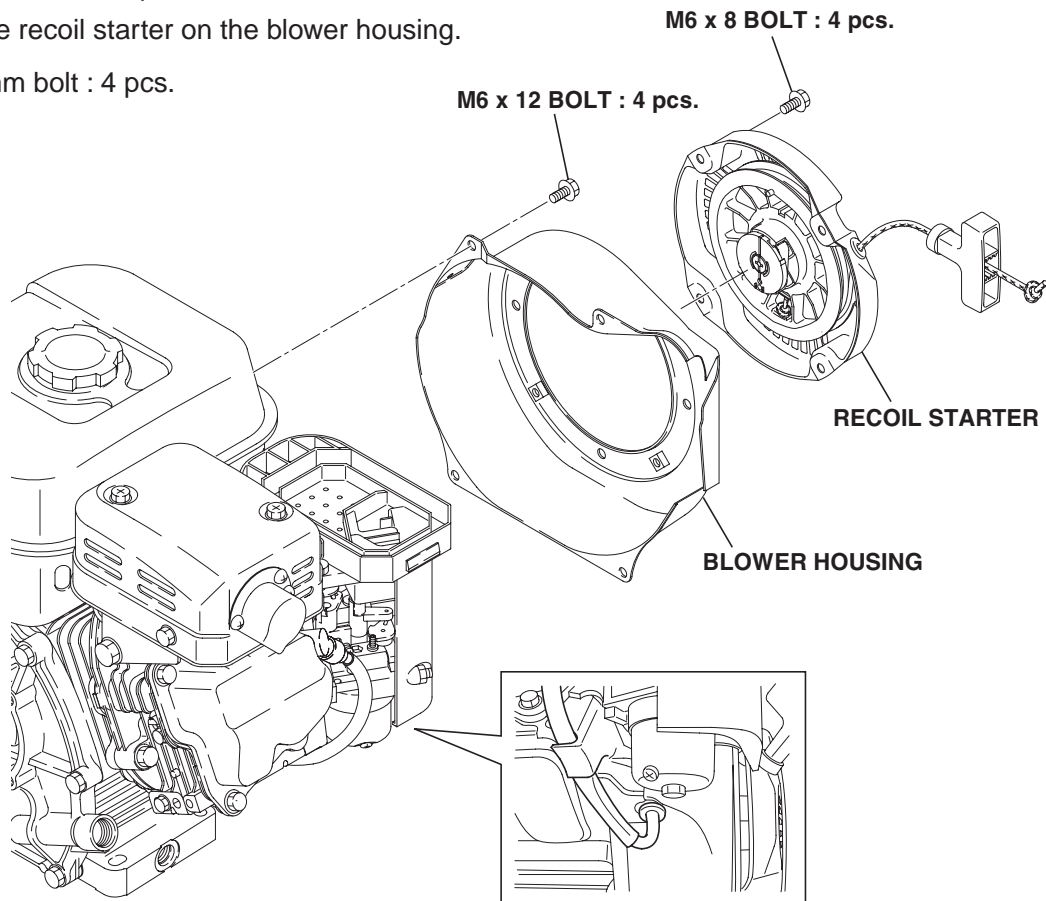


Fig. 5-60

(28) STOP SWITCH

- (1) Mount the stop switch on the blower housing.
- (2) Refer to the wiring diagram (See page 51 and 52) for wiring details.

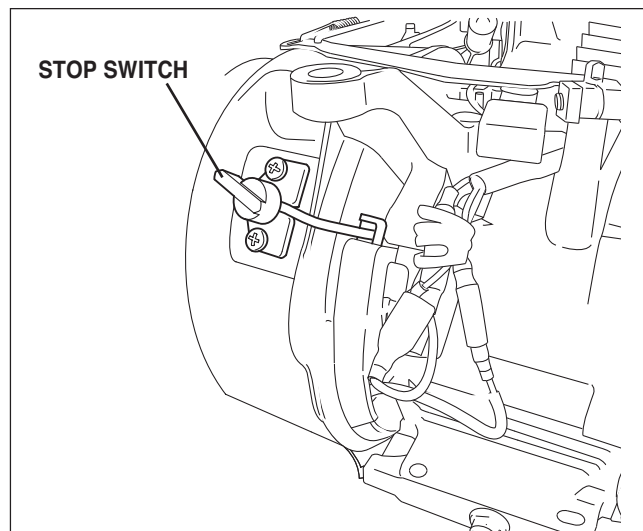


Fig. 5-61

(29) AIR CLEANER

Mount the air cleaner element and cleaner cover.

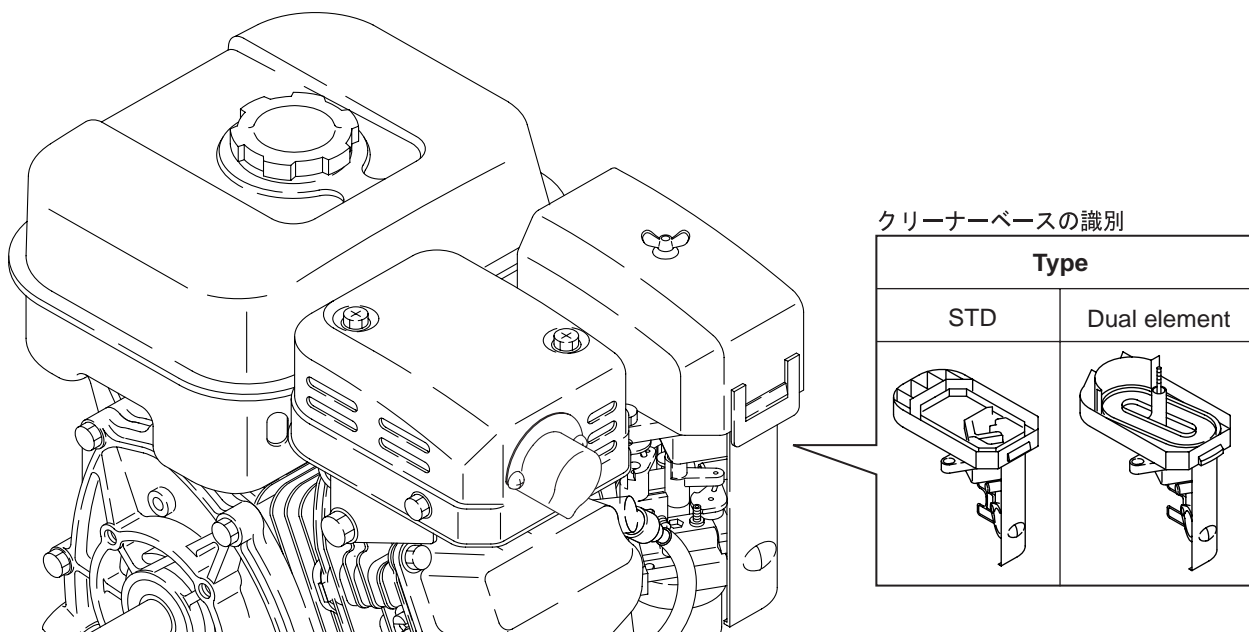


Fig. 5-62

(30) EXTERNAL INSPECTION

Reassembly is completed. Check that the wiring is correct and that there are no loose nuts and bolts or any other faults visible on the outside of the engine.

(31) FILLING WITH ENGINE OIL

Use the automobile engine oil of API service class SE or higher grade.

The amount of oil depends on the engine model. Refer to the table below.

	Model EX13	Model EX17	Model EX21	Model EX27
Engine oil volume	0.6 L			1.0L

(32) BREAK-IN OPERATION

A new engine or an engine that has been completely overhauled by being fitted with a new piston, rings, valves and connecting rod should be thoroughly RUN-IN before being put back into service.

Good bearing surfaces and running clearances between the various parts can only be established by operating the engine under reduced speed and loads for a short period of time.

While the engine is being tested, check for oil leaks.

Make final carburetor adjustment and regulate the engine operating speed.

Step	Model EX13	Model EX17	Model EX21	Model EX27	Engine Speed	Time
Step 1	No Load				2500 r.p.m.	10 min.
Step 2	No Load				3000 r.p.m.	10 min.
Step 3	No Load				3600 r.p.m.	10 min.
Step 4	1.5 HP	2 HP	2.5 HP	3.5 HP	3600 r.p.m.	30 min.
Step 5	3 HP	4 HP	5 HP	7 HP	3600 r.p.m.	30 min.

6. ENGINE OIL

Using engine oil of the correct grade and viscosity greatly lengthens engine life and improves performance. Too much or too little oil can also result in serious problems, including engine seizure.

6-1 CLASSIFICATION BY OIL GRADE

API (American Petroleum Institute)

Classification	SA	SB	SC	SD	SE	SF	SG	SH	SJ
----------------	----	----	----	----	----	----	----	----	----



Grades suited for Robin Engine: SE or higher (SG,SH or SJ in recommended)

6-2 CLASSIFICATION BY OIL VISCOSITY

SAE (Society of Automotive Engineers)

Single grade	5W						
	10W						
	20W						
	#20						
	#30						
Multigrade	10W-30						
	10W-40						
Ambient temperature	-20	-10	0	10	20	30	40°C
	-4	14	32	50	68	86	104°F

Be sure to use automobile engine oil of the viscosity shown in the table above, depending on environmental air temperature.

When the air temperature falls below $-20\text{ }^{\circ}\text{C}$ or rises above $40\text{ }^{\circ}\text{C}$, be sure to choose engine oil of appropriate viscosity and grade, according to the prevailing conditions.

Care must be taken when using multi-grade engine oil, because the oil consumption rate tends to increase when the air temperature is high.

6-3 ADDING AND CHANGING ENGINE OIL

Engine oil inspection and filling up Every time you use the engine
(add engine oil up to the designated maximum level)

Engine oil change First time After 20 hours' use
Thereafter Every 100 hours' use

7. MAGNETO

7-1 MAGNETO

The Robin Engine uses a T.I.C. type breakerless magneto ignition system.

(1) T.I.C. (TRANSISTOR IGNITER CIRCUIT) has the ignition coil outside the flywheel, which is the standard specification. A charge coil system is available as an option.

(The flywheel is a specialized piece of equipment.)

As for the lighting coil, the ignition coil is outside the flywheel and a lighting coil is inside.

7-2 INSPECTING THE MAGNETO

If the engine does not start, has difficulty starting, or does not run smoothly, check the magneto for defects according to the following procedure:

(1) Carefully check the high-tension cable for any damage or short circuiting.

(2) Check the sparking.

Take the spark plug out of the cylinder head, connect the spark plug with the plug cap and ground it on the cylinder head or any other metallic part of the engine.

(The gap between the electrodes of the spark plug should be between 0.6 mm and 0.7 mm).

Rotate the engine by pulling the recoil starter and check the spark plug gap for sparking. If the spark plug is sparking, check the intensity of the spark.

(Before checking the spark plug, disconnect the primary wire from the connector.)

Next, disconnect the spark plug from the plug cap and check the end of the high-tension cable for sparking.

7-3 IGNITION SYSTEM (EX13 ,17, 21)

7-3-1 TYPE OF IGNITION SYSTEM

EX13, 17 and EX21 have the T.I.C. (Transister, Igniter, Circuit) pointless ignition system.

As optional parts, these ignition system may be implemented with lamp coil, charge coil and excitor coil.

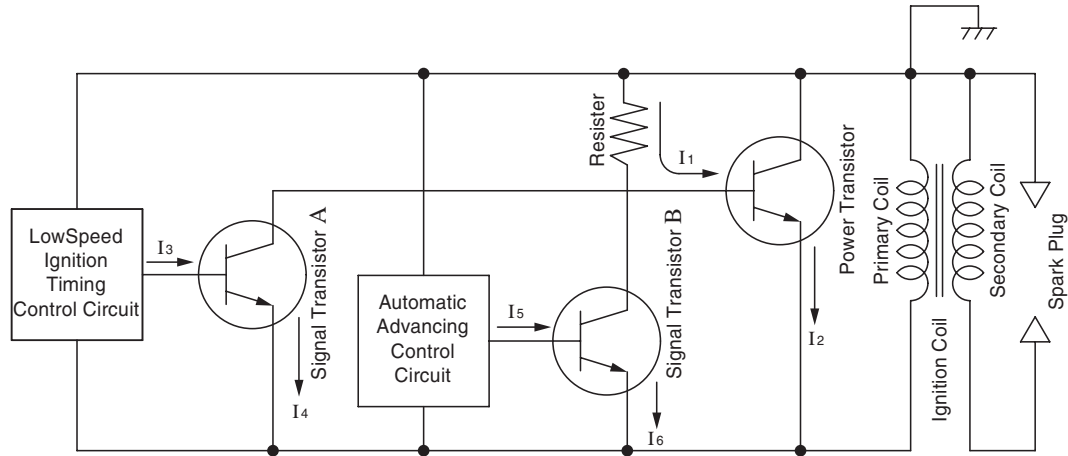


Fig. 7-1(a)

7-3-2 BASIC THEORY

To ensure the easy startability of the engine, the step advancing ignition timing system is incorporated in the ignition coil. This system enables the engine to have basically two different ignition timings according to the engine speed. Following are the explanation how the system works.

1) At lower speed of the engine

Rotation of the flywheel induces current I_1 , as this current flows through the base terminal of the power transistor, it is activated and the current I_2 starts flowing.

As the engine reaches the ignition timing, the ignition timing control circuit for the lower engine speed is activated and lets the current I_3 flow through the base terminal of the power transistor.

This generates the collector current I_4 which will bypass the current I_1 and abruptly shut off the current I_2 because the power transistor is turned off.

This sudden current change generates a big voltage on the secondary side of the ignition coil and which sparks the spark plug.

2) At the higher engine speed

Rotation of the flywheel generates the current I_1 as this current flows through the base terminal of the power transistor, it is activated and the current I_2 starts of flow.

As the engine reaches the ignition timing, the ignition timing control circuit for the higher engine speed is activated and provides the base current I_5 to the power transistor. This current induces the collector current I_6 and will bypass the current I_1 to shut down the current I_2 abruptly because the power transistor is turned off.

This sudden current change generates a big voltage on the secondary side of the ignition coil and which will spark the spark plug.

The ignition timing control circuit for the higher engine speed is activated, sooner than the control circuit for the lower speed and not activated when the engine speed is in a lower range.

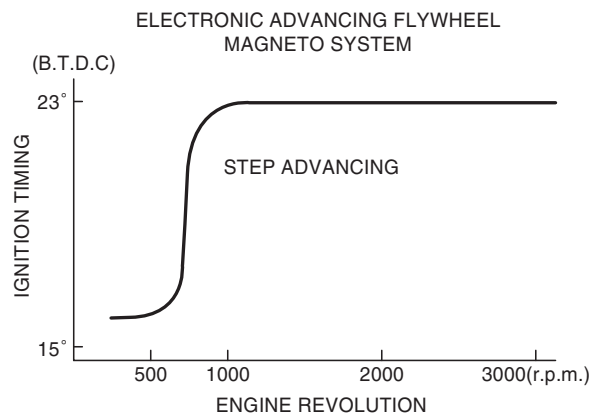


Fig. 7-1(b)

7-4 IGNITION SYSTEM (EX27)

7-4-1 IGNITION COIL INTERNAL CIRCUIT

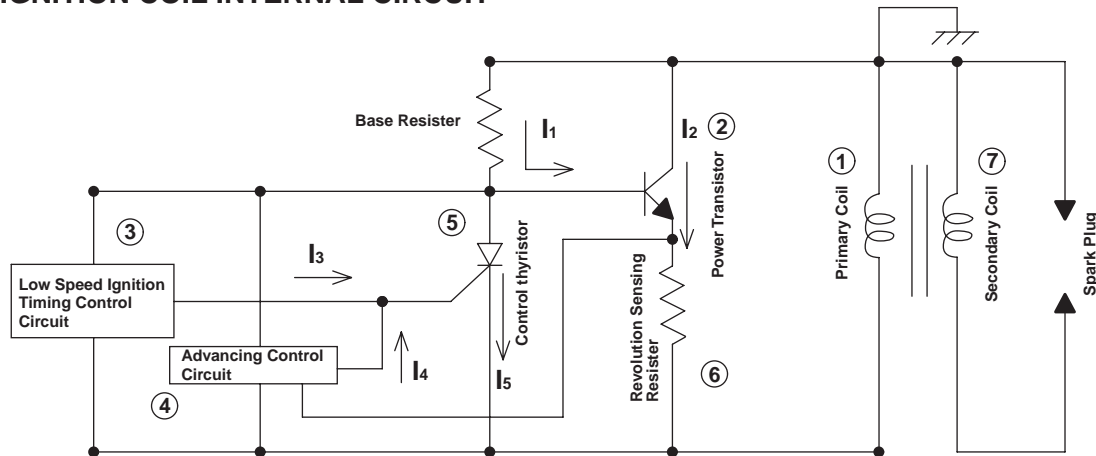


Fig.7-2a

7-4-2 IGNITION TIMING CHARACTERISTIC

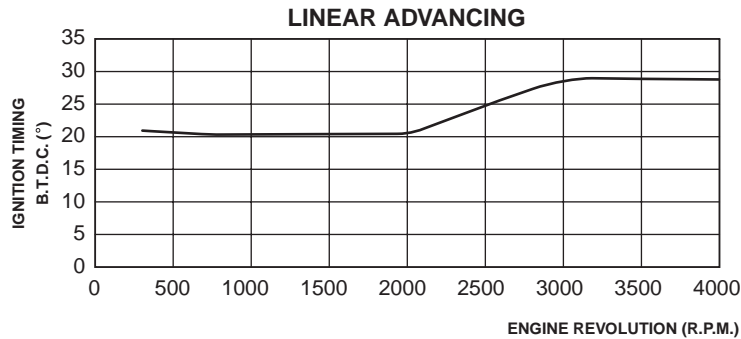


Fig.7-2b

7-4-3 BASIC THEORY

- Revolution of the flywheel generates electricity on the primary side of the ignition coil (), and the base current I_1 flows to the power transistor (). Current I_1 turns the power transistor "ON" and the electric current I_2 flows. This is the same situation when the contact breaker is closed in a case of breaker point type ignition system.
- At lower engine revolution, the low speed ignition timing control circuit () operates to run the gate current I_3 to turn the control thyristor () "ON", thus the current I_1 bypass the thyristor as current I_5 . At this moment, the power transistor () turns "OFF" and the current I_2 is shut off abruptly resulting in the high voltage generated in the secondary coil () which produces sparks at the spark plug. The ignition timing at lower engine revolution is less advanced as shown in the above chart.
- At higher engine revolution (over 2,000rpm), advancing control circuit () operates to run the gate current I_4 to turn the control thyristor () "ON", thus the current I_1 bypass the thyristor as current I_5 . At this moment, the power transistor () turns "OFF" and the current I_2 is shut off abruptly resulting in the high voltage generated in the secondary coil () which produces sparks at the spark plug. At over 2,000rpm, ignition timing on each engine revolution is controlled by advancing control circuit () that receive electrical information from revolution sensing resistor (). The advancing of ignition timing from lower to higher engine revolution changes linearly as shown in the above chart.

8. WIRING DIAGRAM

8-1 MODEL WITHOUT ELECTRIC STARTER (Models EX13, 17, 21 and 27)

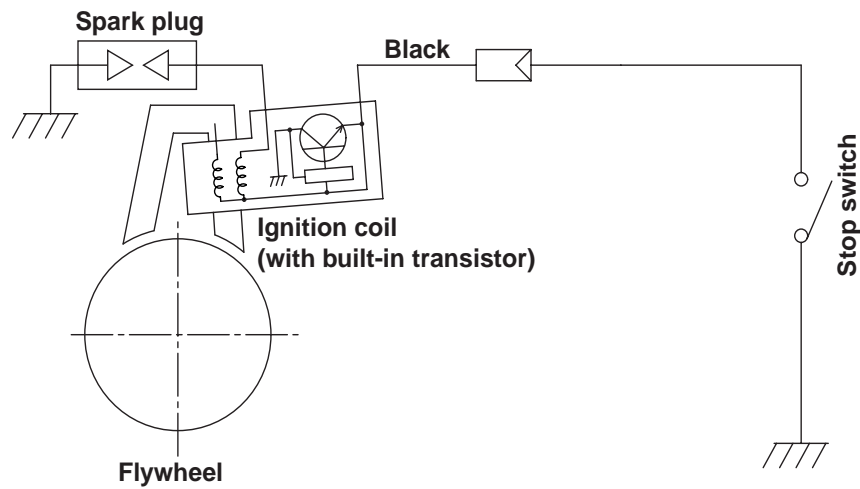


Fig. 8-1

8-2 MODEL WITH ELECTRIC STARTER (Models EX17 and 21)

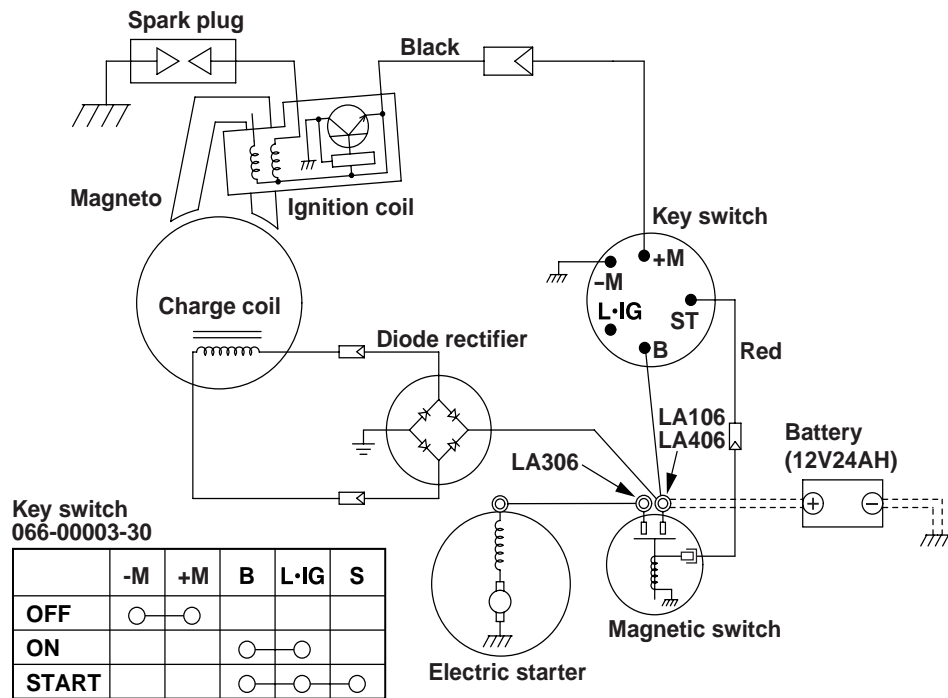


Fig. 8-2

8-3 MODEL WITH ELECTRIC STARTER (Model EX27)

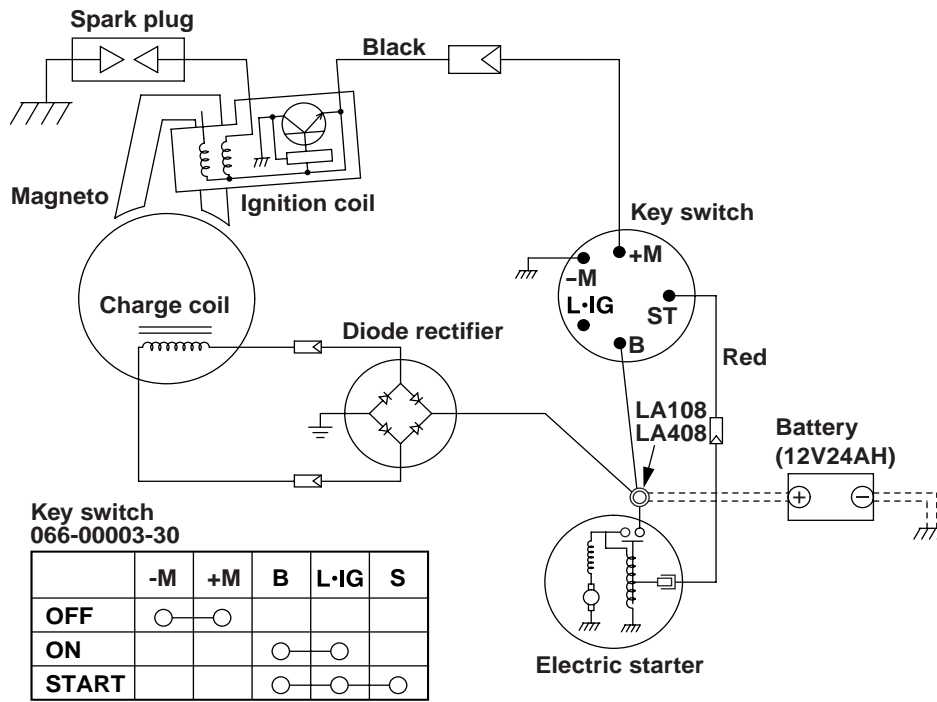
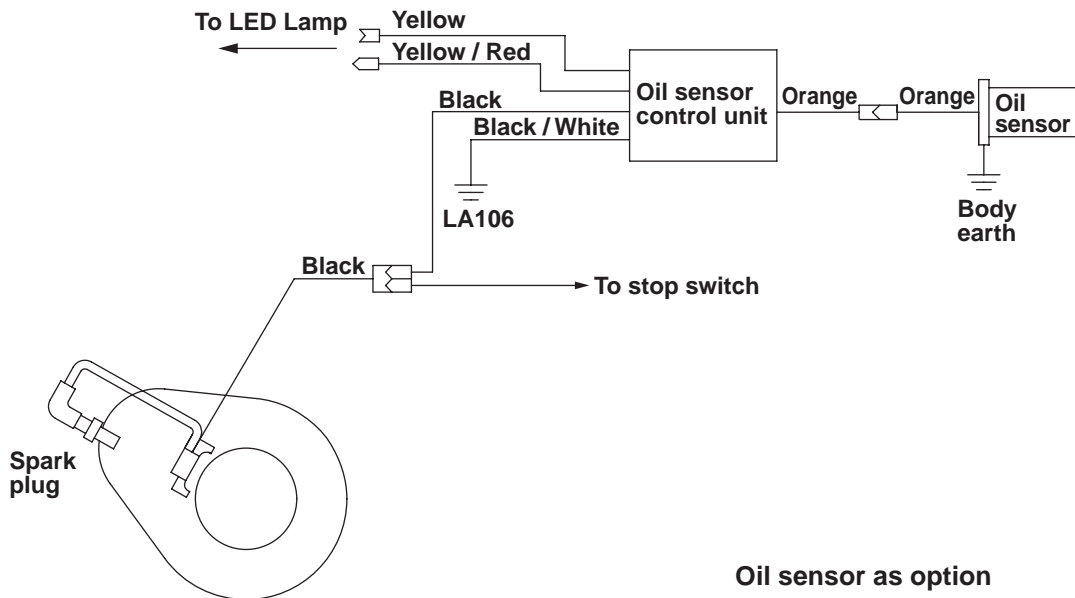


Fig. 8-3

8-4 MODEL WITH OIL SENSOR



Oil sensor as option

Fig. 8-4

9. ELECTRIC STARTER

9-1 SPECIFICATIONS

		Models EX17, 21	Model EX27
Voltage	(V)	12	
Power	(kW)	0.6	0.6
Weight	(kg)	1.6	3.4

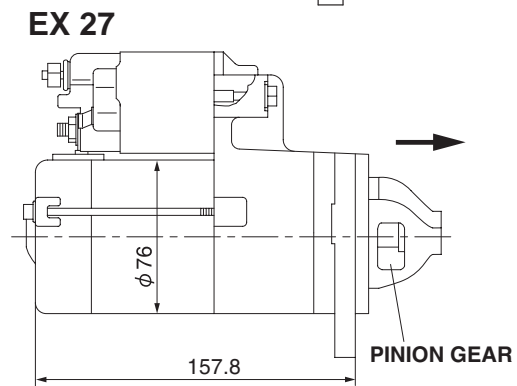
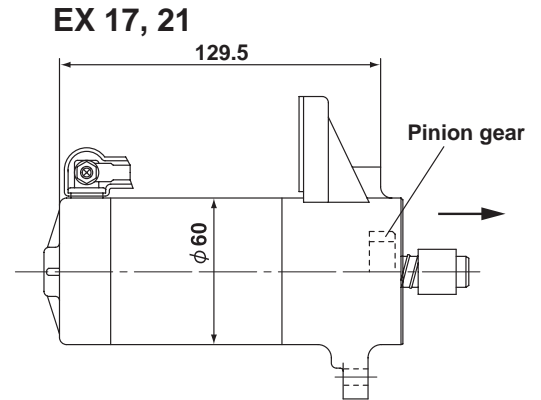


Fig. 9-1

9-2 OPERATING PRINCIPLES

The battery is connected to the 6 or 8 mm diameter terminal of the magnetic switch. The figure below shows the state when the starter is ON.

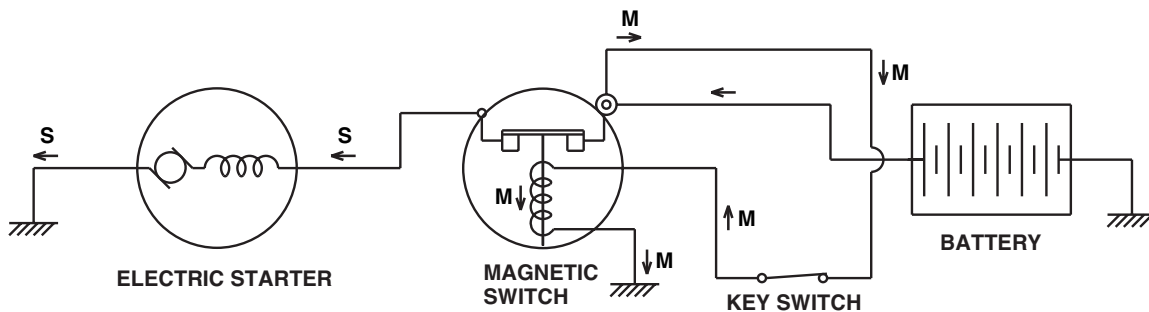


Fig. 9-2

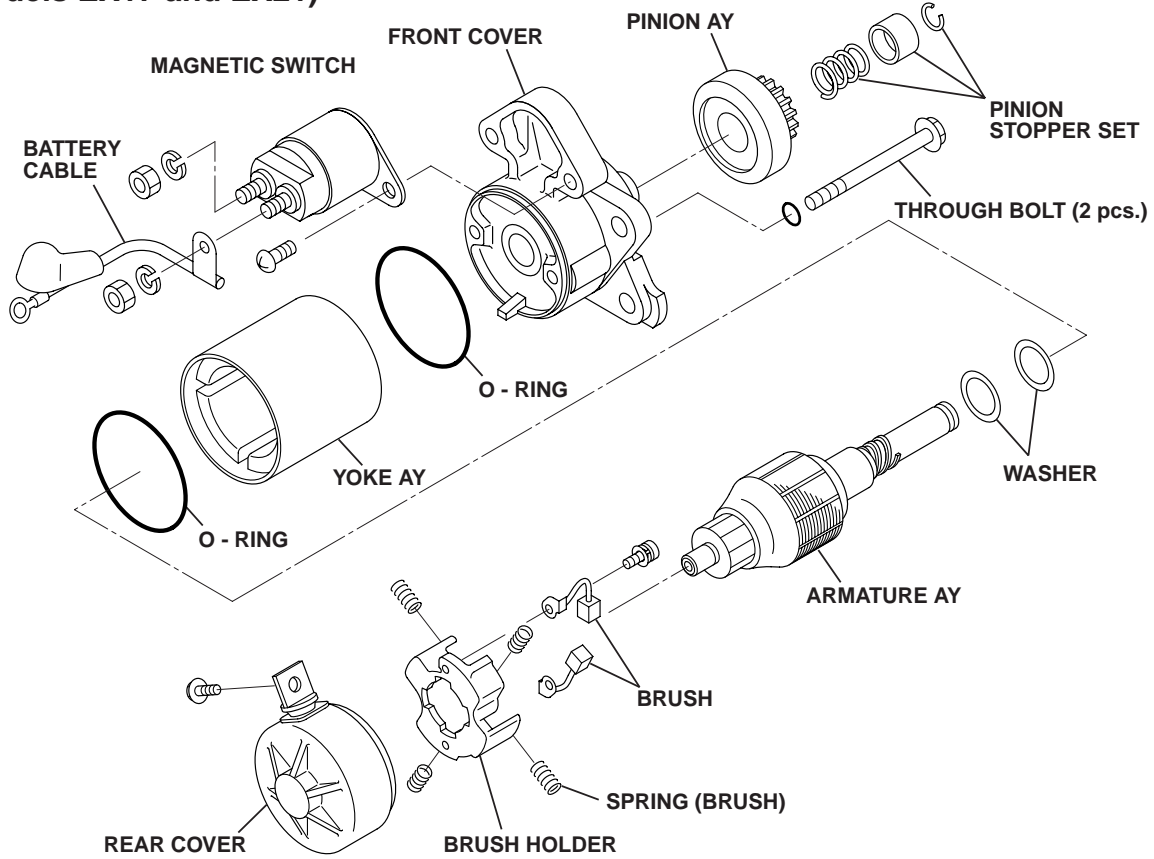
There are two energized circuits: the magnetic switch (M) circuit and the starter motor (S) circuit. When the key switch is ON, the (M) circuit is closed, the current flows in the direction of the arrows, the coil of the magnetic switch is magnetically excited and the contactor is pulled.

As a result, a low current flows through the (M) circuit and a high starter current flows through the (S) circuit. This energizes the starter motor and cranks the engine.

Engagement of the pinion gear (EX17,21)

When the starter motor is started, the weight built into the spiral splines located on the shaft moves in the direction of the axis driven by centrifugal force and pushes out the pinion gear, and the pinion gear engages the ring gear.

**9-3 COMPONENT PARTS
(Models EX17 and EX21)**



(Model EX27)

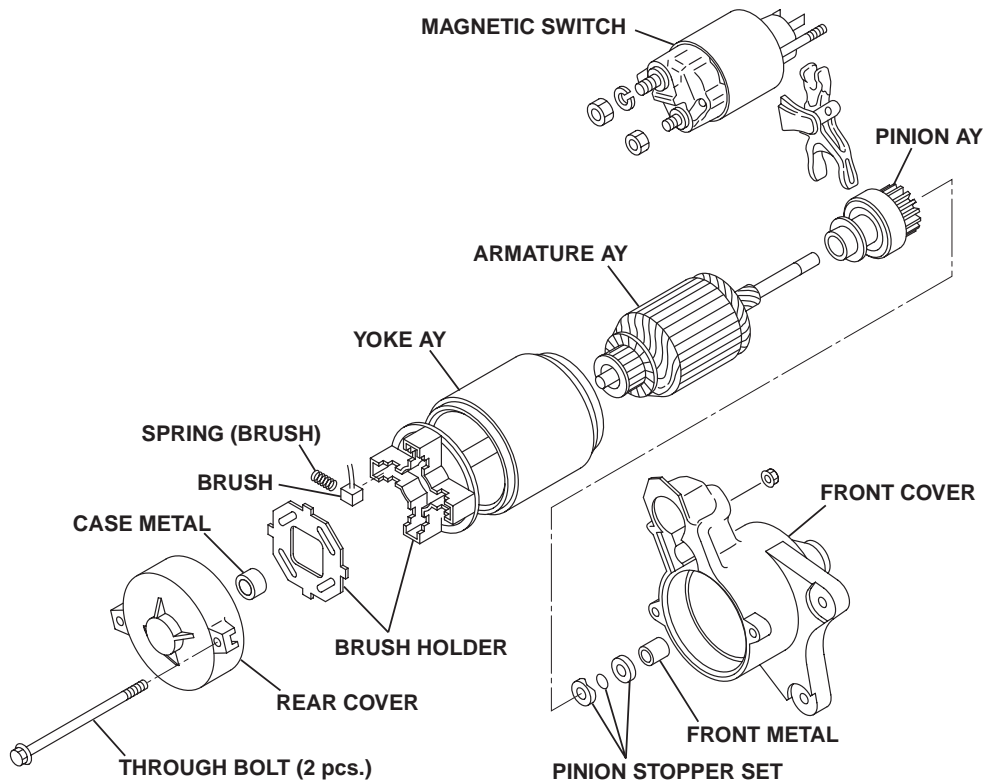


Fig. 9-3

10. OIL SENSOR

10-1 SPECIFICATIONS

Type	Float type (with lead switch incorporated)
Resistance (at FULL oil level)	100 M ohms or over
Operating Temperature	-30 to +180 degree Celsius

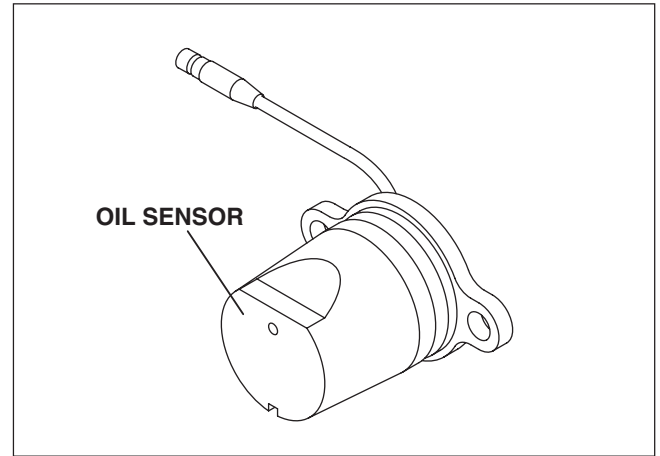


Fig. 10-1

10-2 CONSTRUCTION AND OPERATION

The oil sensor is composed of the float, permanent magnet incorporated into the float and the oil sensor. In accordance with the oil level, the float moves up and down.

When the oil level is upper level, the float moves up.

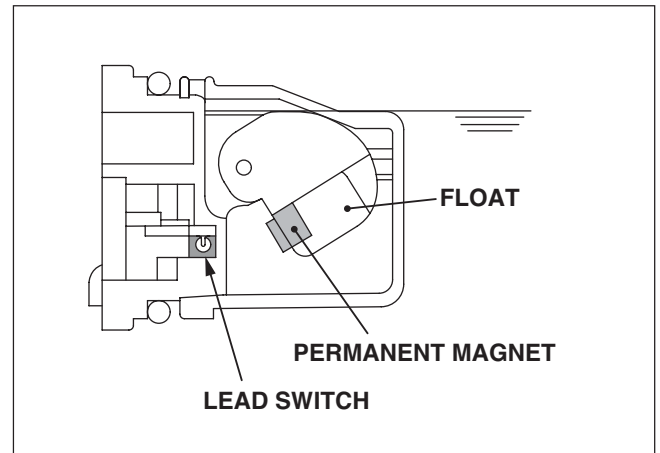


Fig. 10-2

When the oil level is lower level, the float moves down. The permanent magnet is close to the lead switch, and the lead switch is activated by the magnetic force.

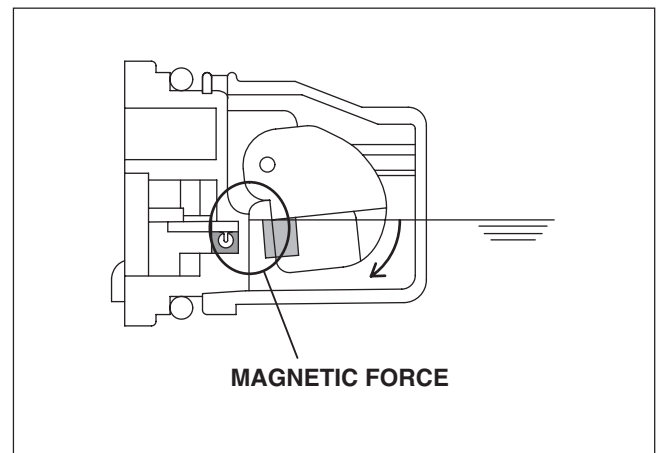


Fig. 10-3

NOTE : With regards to the wiring diagram,
please refer to the section 8-4 (page52).

11. AUTOMATIC DECOMPRESSION SYSTEM

11-1 FUNCTIONS AND CONSTRUCTION

EX series engines employ an automatic decompression system as a standard feature. This enables easy starting of the engine, with lighter recoil pull.

The automatic decompression system releases the compression of the engine by lifting up the exhaust valve at cranking speed. The following is the explanation of the function.

At the end of the compression process, the release lever lifts up the rocker arm (exhaust) which in turn opens up the exhaust valve slightly to release the compression.

The release lever has a flyweight on its end and another end of the lever is a crescent cam.

When the engine is cranked, the crescent cam projects above the cam profile and lifts up the rocker arm (exhaust) because the force of the return spring on the weight is larger than the centrifugal force on the weight.

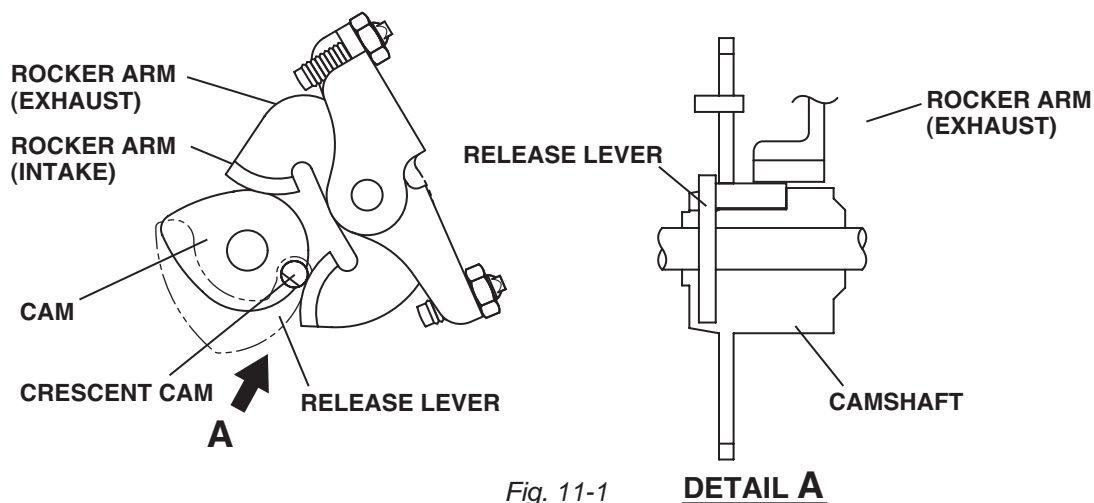


Fig. 11-1

When the cranking speed reaches a specified r.p.m., the crescent cam is retracted under the cam profile because the centrifugal force applied to the flyweight becomes larger than the force of the return spring on the weight and thus it is shifted to the position shown in the illustration below.

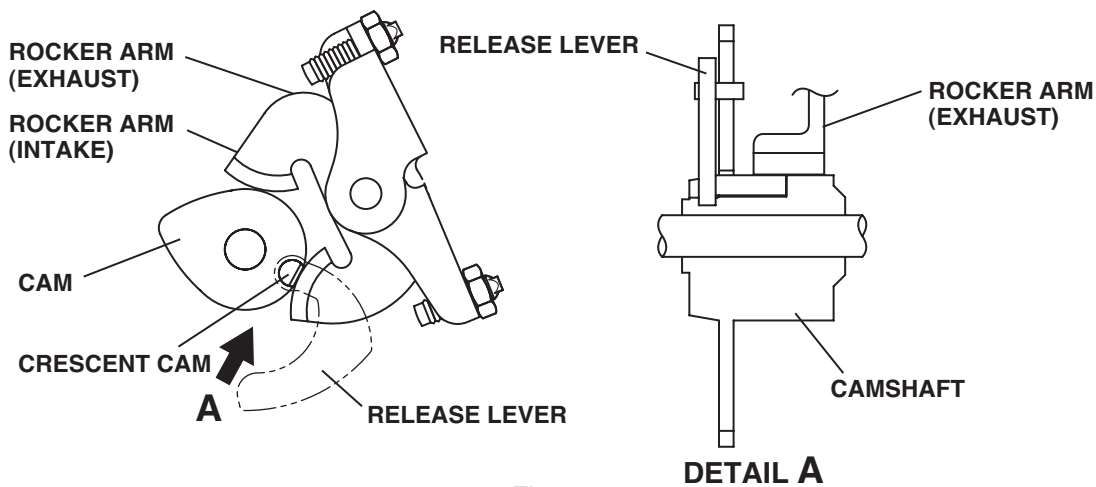


Fig. 11-2

11-2 INSPECTION

When assembling the release lever, make sure that it works smoothly.

12. CARBURETOR

12-1 SPECIFICATIONS

A/C Type	EX13		EX17		EX21		EX27	
	STD	DUAL	STD	DUAL	STD	DUAL	STD	DUAL
Main Jet	70.0	68.8	81.3	80.3	86.3	83.8	98.0	96.0
Pilot Jet	40.0	40.0	40.0	40.0	41.3		40.0	
Pilot Screw Turning	1-3/4		1-1/4		1		1-1/2	

12-2 FUNCTIONS AND CONSTRUCTION

12-2-1 FLOAT SYSTEM

The float chamber is located below the carburetor body. Through the operation of the float and the needle valve, the float chamber maintains a constant fuel level while the engine is working.

The fuel flows from the tank into the float chamber through the needle valve. When the fuel rises to a specific level, the float rises. When the buoyancy of the float is balanced with the fuel pressure, the needle valve shuts off the fuel passage, thereby maintaining the fuel at the predetermined level.

12-2-2 PILOT SYSTEM

The pilot system supplies fuel to the engine during idling and low-speed operation.

Fuel is initially metered by the main jet and then metered once again by the pilot jet. At the pilot jet, the fuel is mixed with air metered by the pilot air jet and then the fuel/air mixture is fed to the engine through the pilot outlet and the bypass. During idling, fuel is fed to the engine mainly through the pilot outlet.

12-2-3 MAIN SYSTEM

The main system feeds fuel to the engine at medium and high speed operation.

Fuel is metered by the main jet and flows into the main nozzle. Air metered by the main air jet is mixed with fuel through the bleed holes of the main nozzle. The fuel/air mist is injected into the Venturi and mixed once again with air from the air cleaner. This fuel/air mixture is now of optimum concentration and is fed into the combustion chamber of the engine.

12-2-4 CHOKE SYSTEM

The choke system is for easier start of the engine in cold weather conditions.

When the engine is started with a closed choke, the negative pressure applied to the main nozzle increases. This causes a larger amount of fuel to be drawn into the carburetor, which in turn makes it easier to start the engine.

FUEL SYSTEM OUTLINE

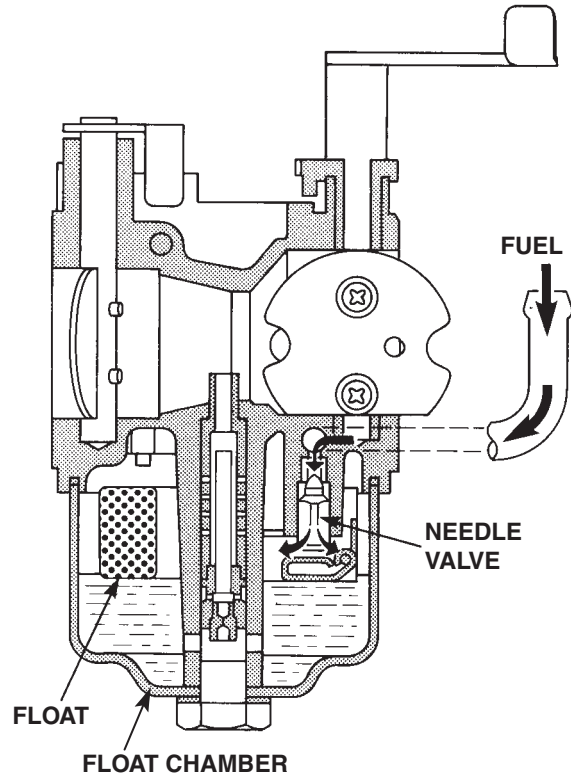


Fig. 12-1

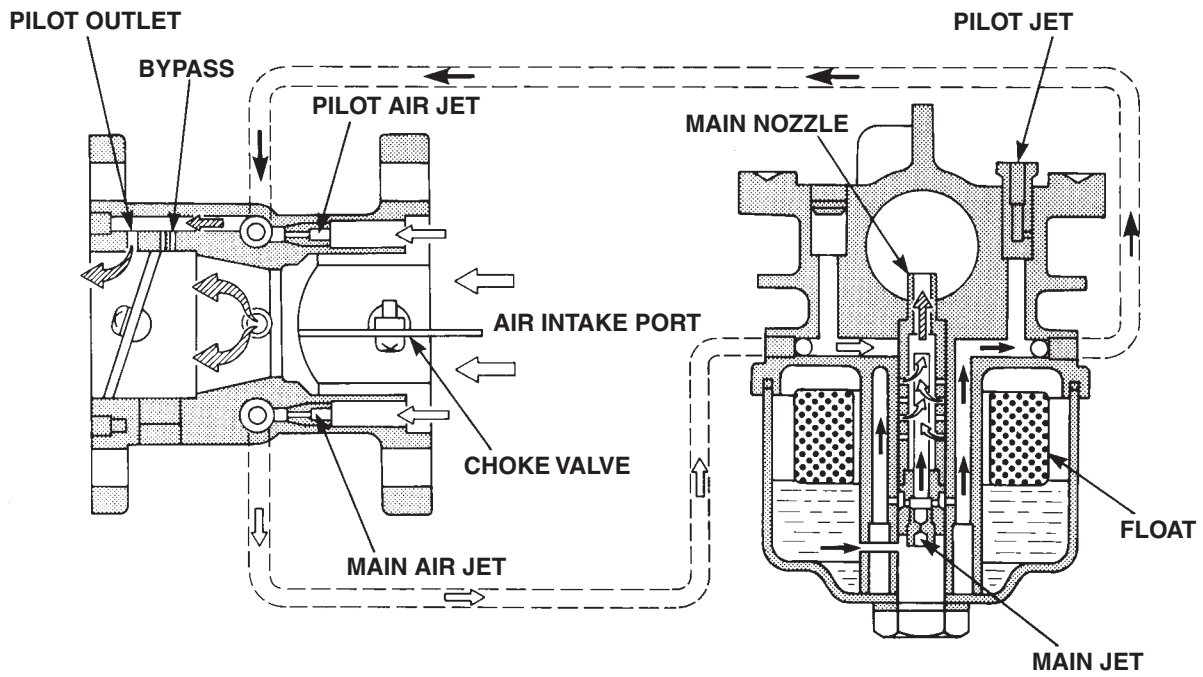


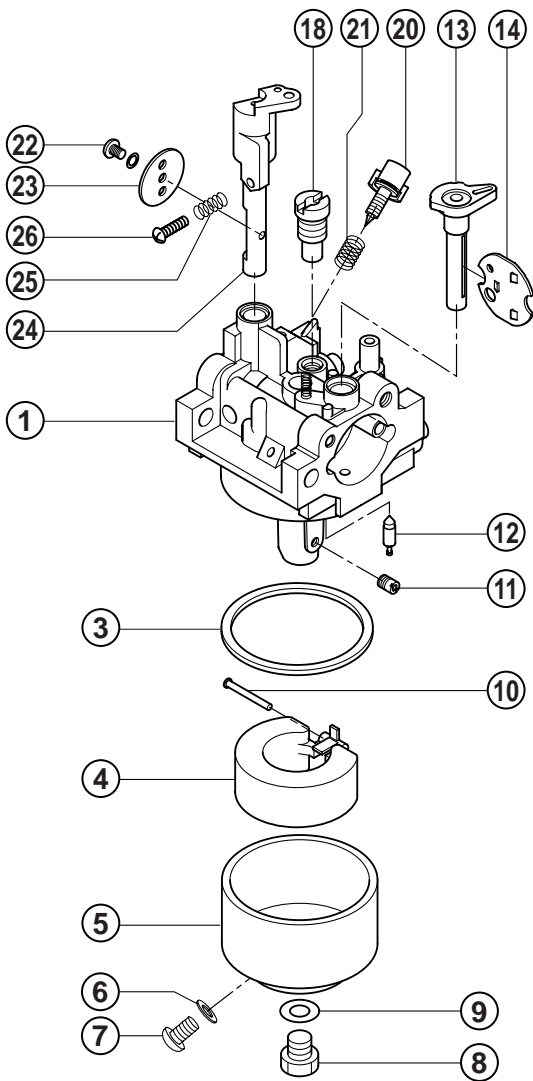
Fig. 12-2

12-3 DISASSEMBLY AND REASSEMBLY

Mechanical failures aside, most carburetor malfunctions occur when the fuel/air ratio of the mixture is not correct. This is usually caused by clogged jets, air passages and fuel passages, or by variations in the fuel level.

To get the best possible performance from the carburetor, ensure that the each passages are kept clean so that air and fuel can flow freely through them.

MODEL EX13, 17, 21



MODEL EX27

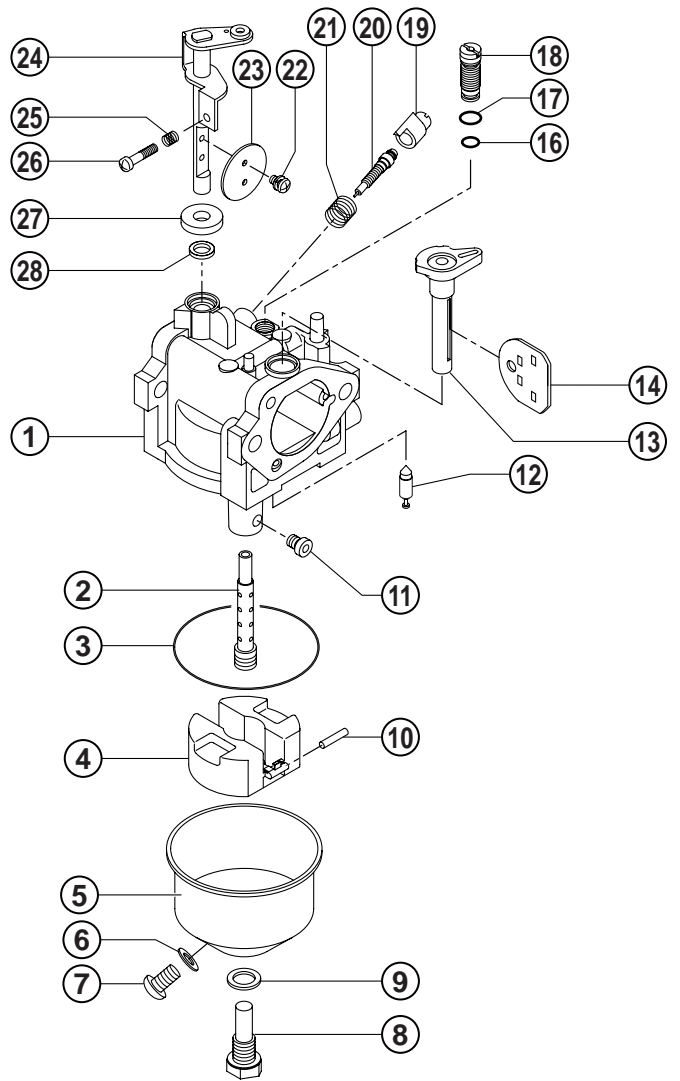


Fig. 12-3

The procedures for overhauling the carburetor are described below. (Refer to Fig. 11-3.)

12-3-1 THROTTLE SYSTEM

- (1) When the throttle stop screw ②⑥ is removed, the spring ②⑤ can be taken out.
- (2) Remove the phillips screw ②② and the throttle valve ②③, then take out the throttle shaft ②④.
When removing the throttle valve, take care not to damage the valve edge.

12-3-2 CHOKE SYSTEM

- (1) Remove the choke valve . Then pull out the choke shaft .
- (2) When reassembling the choke shaft, be sure to position the cutout on the choke valve facing the pilot air jet.

12-3-3 PILOT SYSTEM

- (1) Remove the pilot jet . Use the correct tool so as to avoid damaging the jet.
- (2) When reassembling the pilot jet, be sure to firmly tighten it, otherwise fuel may leak, leading to engine malfunction.

12-3-4 MAIN SYSTEM

- (1) Remove the bolt and remove the float chamber body .
- (2) Remove the main jet from the body .
- (3) Remove the main nozzle from the body .
- (4) When reassembling the main system, be sure to fasten the main jet and main nozzle firmly to the body, otherwise the fuel concentration in the fuel/air mixture may become too rich, leading to engine malfunction.
- (5) The tightening torque of the bolt is 9 N·m (90 kgf·cm / 6.5 ft·lb.). Be sure not to forget to mount the washer.

12-3-5 FLOAT SYSTEM

- (1) Take out the float pin and then remove the float and the needle valve .
Since the needle valve is linked to the float , take care when assemble.
Do not use drill or similar objects for cleaning the jets, as these are likely to damage the orifices, which in turn can impair fuel flow. Use compressed air to clean the jets.
The float pin is pressed into the carburetor body. When removing the needle valve and the float, a rod or a similar tool slimmer than the float pin should be used. Tap the reverse side gently and remove.

13. RECOIL STARTER

13-1 RECOIL STARTER

Tools required: Screwdriver, pliers and protective glasses

NOTE:

Put on the protective glasses prior to start disassembly.

13-1-1 DISASSEMBLY PROCEDURE

(1) Release the reel spring power

- 1 Hold the starter knob and pull out the starter rope.
- 2 Pull out the rope fully and align the rope knot in the reel with the rope guide.
- 3 Hold the reel down firmly with both thumbs, taking care not to allow it to spring back. (Fig. 12-1)
- 4 Remove the knot from the reel, untie the knot and pull the rope out toward the starter knob.
Note: This procedure requires 2 people.
- 5 While controlling the reel with the thumbs, slowly wind it back as far as it will go.

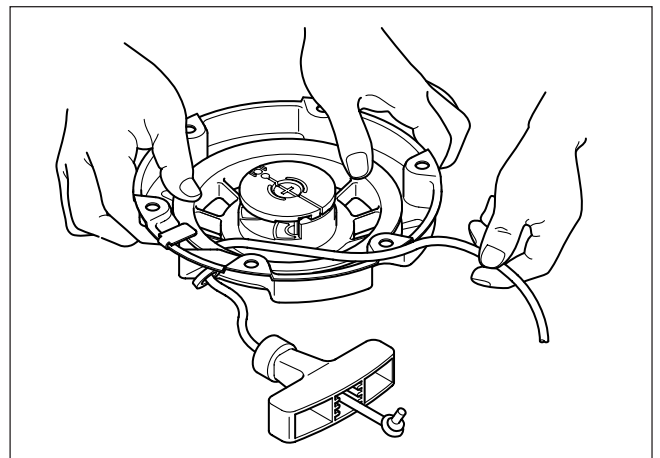


Fig. 13-1

NOTE:

When the rope is pulled out to its full length, the force stored in the spring reaches its maximum. Be careful not to drop it or release your grip on it suddenly.

(2) Remove the components. (Fig. 13-2)

- 1 Grip the case and loosen the set screw.
- 2 Take out the set screw, the ratchet guide, the friction spring and the ratchet in that order.

(3) Remove the reel. (Fig. 13-2)

- 1 Hold down the reel gently to keep it from escaping from its case and rotate it slowly back and forth by quarter turns until it moves smoothly.
- 2 Lift the reel up little by little and take it out of the case.
- 3 If the spring is about to pop out of the reel, repeat steps (3)-1 and (3)-2.

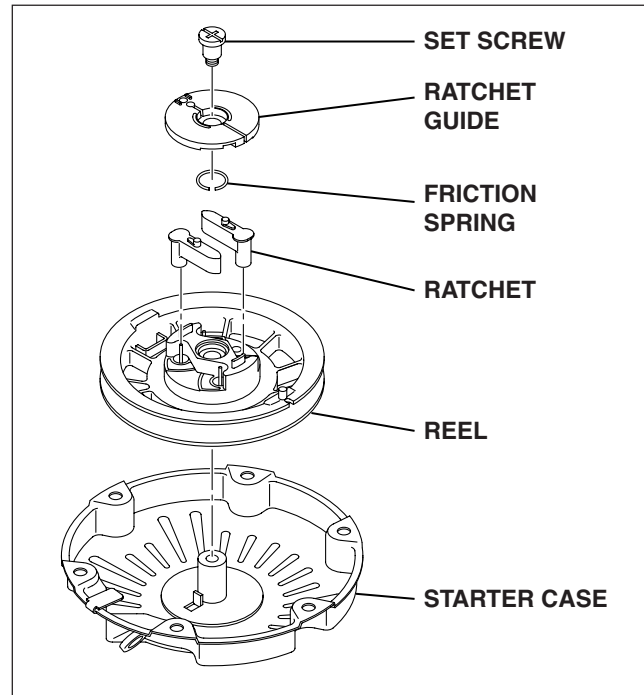


Fig. 13-2

NOTE:

Since the spring is stored in the reel, make sure not to drop or shake the reel after removing it. Place it on a level surface such as a table.

Disassembly is completed.

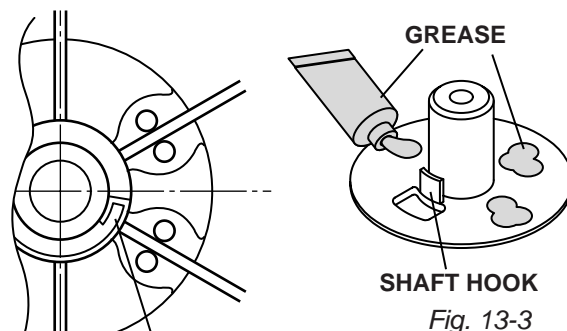
NOTE:

Put on the protective glasses prior to start reassembly.

13-1-2 REASSEMBLY PROCEDURE

(1) Put the reel back into the case

- 1 Apply grease to the surface of the case. (Fig.13-3)
- 2 Adjust the position of the inner end of the spring in the reel. (Fig. 13-4)
- 3 Hold the reel in such a way that the inner end of the spring hooks onto the shaft hook and then place the reel carefully back into the case.
- 4 Turn the reel gently counterclockwise to confirm that the spring is hooked.



Position where the inner end of the spring touches to the rib of the bearing.

Fig. 13-4

(2) Mount the components

-1 Mount the ratchet into the reel. (Fig. 13-5)

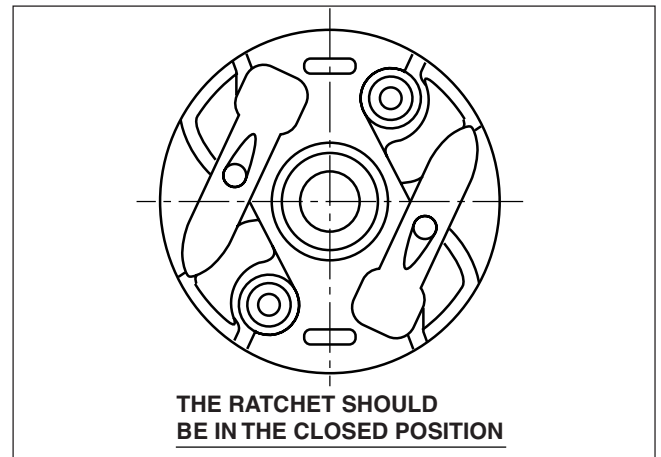


Fig. 13-5

-2 Mount the ratchet guide assembly, taking care not to move the ratchet. (Fig.13-6)

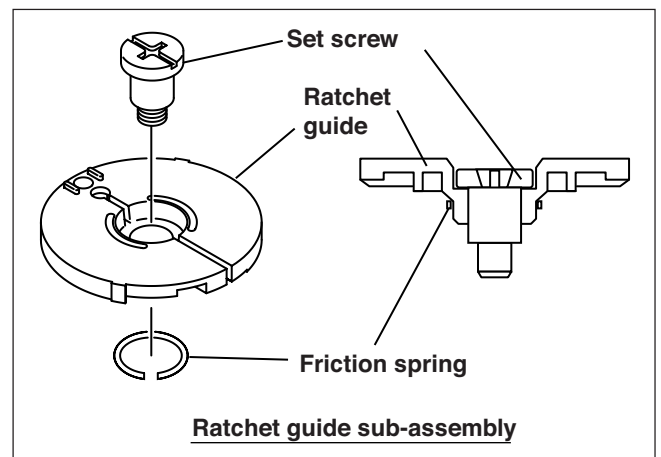


Fig. 13-6

(3) Tighten the set screw

-1 Hold the ratchet guide gently by your hand to prevent it from rotating, then tighten the set screw.

Tightening torque(M6)
5.5 N·m (55 kgf ·cm) (4.0 ft ·lb.)

(4) Tension the reel spring

-1 Grip the case and turn the reel 6 times counterclockwise.

-2 Fix the reel so that the rope hole in the reel is aligned with the rope guide. (Fig. 13-7)

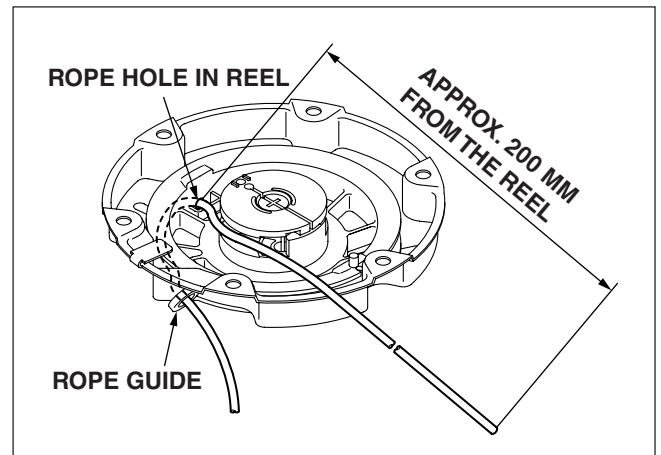


Fig. 13-7

NOTE:

The spring force reaches its maximum value when the reel is wound up. Be careful not to drop it or release your grip on it suddenly.

(5) Install the rope

NOTE: This procedure requires 2 people.

- 1 Pass the rope end through the rope guide and the rope hole of the reel and pull through approximately 20 cm out of the reel. (Fig. 13-7)
- 2 Tie a knot in the rope end . (Fig. 13-8)
- 3 Put the rope into the reel, taking care that the rope end does not stick up. (Fig. 13-9)
- 4 Grasp the rope firmly with one hand at approximately 50 cm from the rope guide and keep the rope tense, taking care that the rope is not pulled into the reel.
- 5 Release the reel carefully and allow the rope to be wound back slowly by the force of the spring until the knob reaches the rope guide.

Assembly is completed.

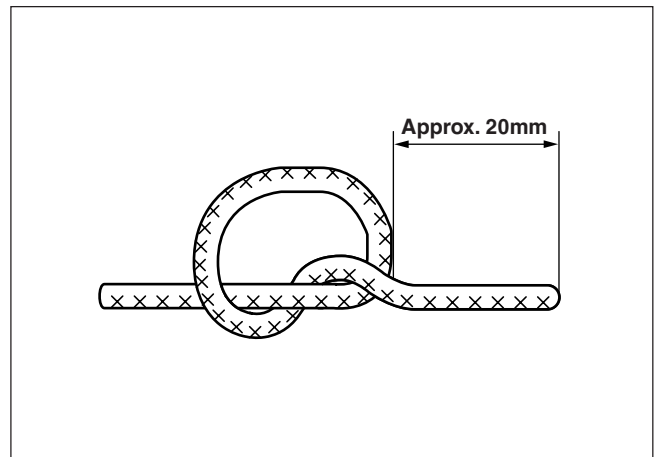


Fig. 13-8

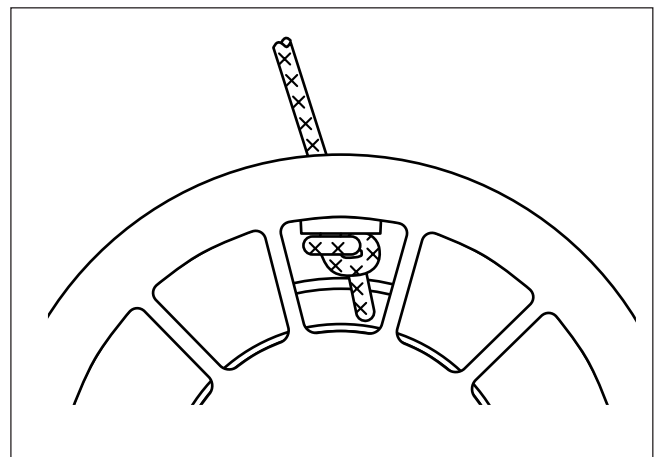


Fig. 13-9

The disassembly and the reassembly are completed, however, carry out the following to check if the necessary components have surely been assembled.

13-1-3 CHECKING THE RECOIL STARTER AFTER REASSEMBLY

- (1) Pull the starter knob about 2-3 times.
 - (a) If the starter knob is too heavy to pull, check that each parts have been assembled as specified.
 - (b) If the ratchet does not work, check for missing parts such as the friction spring.
- (2) Pull out the starter knob as far as it will go.
 - (a) If the starter rope remains in the rope slot in the reel, the spring may be over-stressed. To fix this, pull out the starter rope approximately 30 cm, and, controlling the rotation of the reel with your thumb, allow the starter rope to rewind about 1 or 2 turns.
 - (b) If the starter rope rewinds slowly or only partially, apply grease or oil to the rotary parts or the friction surfaces. If this does not help, try winding up the spring 1 or 2 turns, taking care not to over-stress the spring.
 - (c) If there is a sound indicating that the spring is off the hook and the starter rope does not be wound back, reassemble the recoil starter from the beginning.

13-1-4 OTHER GUIDES

- (1) If the spring escapes from the reel during disassembly
 - (a) Hook the outer end of the spring onto the gap in the reel, and rewind the spring, holding the spring with your fingers so as to prevent it from springing out of the housing unit.
(Wear protective gloves when doing this.)

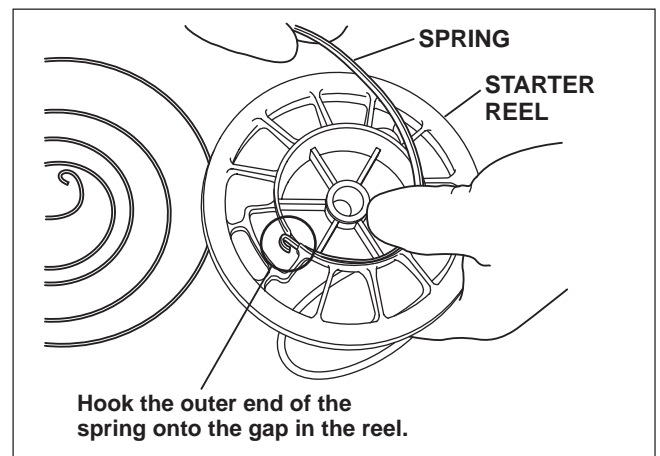


Fig. 13-10

- (b) Hook the inner end of the spring onto the projection on the starter case.

Refer to the assembly procedure for more details.

- (2) About lubrication
Lubricate the rotating and frictional parts and the spring with grease (heat-resistant grease recommended) or engine oil when the starter is disassembled and prior to long term storage.

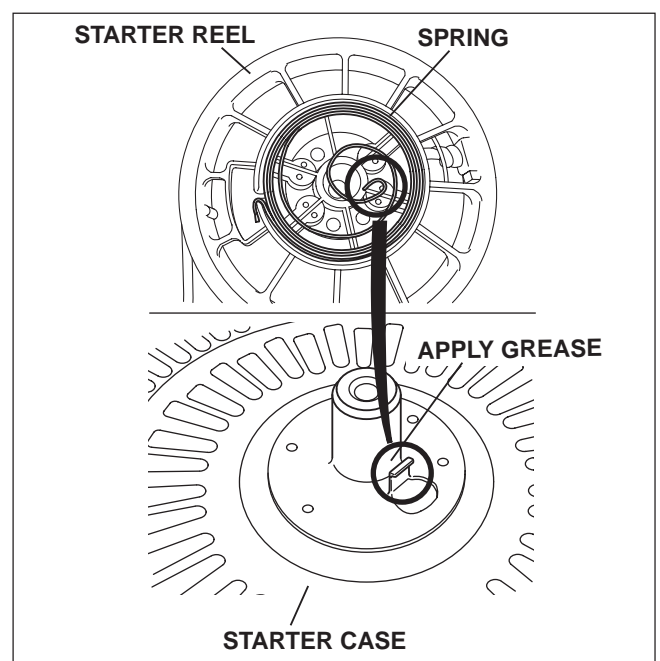


Fig. 13-11

14. INSTALLATION

Installation has a decisive influence on engine life, ease of maintenance and inspection, frequency of inspection and repair, running costs and other related aspects. Before installing the engine, be sure to plan the installation with care, taking the points below into account.

14-1 INSTALLING

When installing the engine, pay special attention to the position of installation, the method for coupling with working equipment, and the foundations and supports for the engine. Position the engine so that tasks such as gasoline and oil replenishment and inspection, spark plug inspection, air cleaner maintenance, oil drainage and so on can be carried out as easily as possible.

14-2 VENTILATION

An engine requires fresh air for cooling and for burning fuel. When an engine is covered with a bonnet or is operated in an enclosed space, the temperature around the engine rises and this causes such problems as vapor lock, oil deterioration, increased oil consumption, power loss, engine seizure, and reduced engine life, making it difficult for the engine to function normally. It is thus necessary to install ducts and dampers to guide fresh air, so as not to recycle the hot air used to cool the engine and to prevent the working equipment from heating up.

Be sure to keep the engine room temperature below 50 °C all year round and to prevent the accumulation of hot air in the engine room.

14-3 EXHAUST EQUIPMENT

Exhaust gas is noxious. When operating the engine indoors, make sure that exhaust gases are discharged outdoors. However, if the exhaust pipe is long, resistance increases and this lowers engine output. Therefore, the longer the exhaust pipe the larger its inner diameter should be.

Exhaust pipe length:	Less than 3 m	Pipe inner diameter:	30 mm
Exhaust pipe length:	3 - 5 m	Pipe inner diameter:	33 mm

The ideal solution is forced exhaustion (outdoors) by installing a blower on the exhaust pipe.

Install a safety cover on the exhaust pipe, muffler and other related parts.

14-4 FUEL SYSTEM

If the fuel tank is detached from the engine, the height from the bottom of the fuel tank to the fuel joint of the carburetor should be between 5 cm and 50 cm.

When using a fuel pump, the bottom of the fuel tank can be up to 20 cm below the carburetor. Position the fuel tank carefully because, when it is low, fuel is not fed to the carburetor and when it is high, it can cause an overflow in the carburetor. When piping the fuel, the hose should be as short as possible and attention should be paid to heat transmission, size, bending, leakage at hose joints and so on. Care should also be taken to prevent air lock and vapor lock.

14-5 POWER TRANSMISSION TO DRIVE MACHINES

14-5-1 BELT DRIVE

Note the following:

- Use a V-belt rather than a flat belt.
- The drive shaft of the engine must be parallel to the drive shaft of the driven machine.
- The drive pulley of the engine must be in line with the driven pulley of the machine.
- Install the engine pulley as close to the engine as possible.
- If possible, span the belt horizontally.
- Disengage the load when starting the engine.

A belt tensioner or similar should be installed if no clutch is used.

14-5-2 FLEXIBLE COUPLING

When using a flexible coupling, run-out and misalignment between the driven shaft and the engine shaft should be minimized.

The permissible margin of run-out and misalignment is specified by the flexible coupling manufacturer.

15. TROUBLESHOOTING

If the engine shows any sign of malfunction, the cause should be determined immediately and appropriate countermeasures should be taken to prevent the problem from worsening. This section describes certain known problems, their possible causes and appropriate countermeasures. Note, however, that the list of problems presented here is not all. Generally speaking, since there is the possibility of multiple causes for a single problem, please use your experience and common sense when deciding on what action to take.

15-1 ENGINE

The following three conditions must be fulfilled for satisfactory engine start.

1. The cylinder filled with a proper fuel-air mixture.
2. Good compression in the cylinder.
3. Good spark, properly timed, to ignite the mixture.

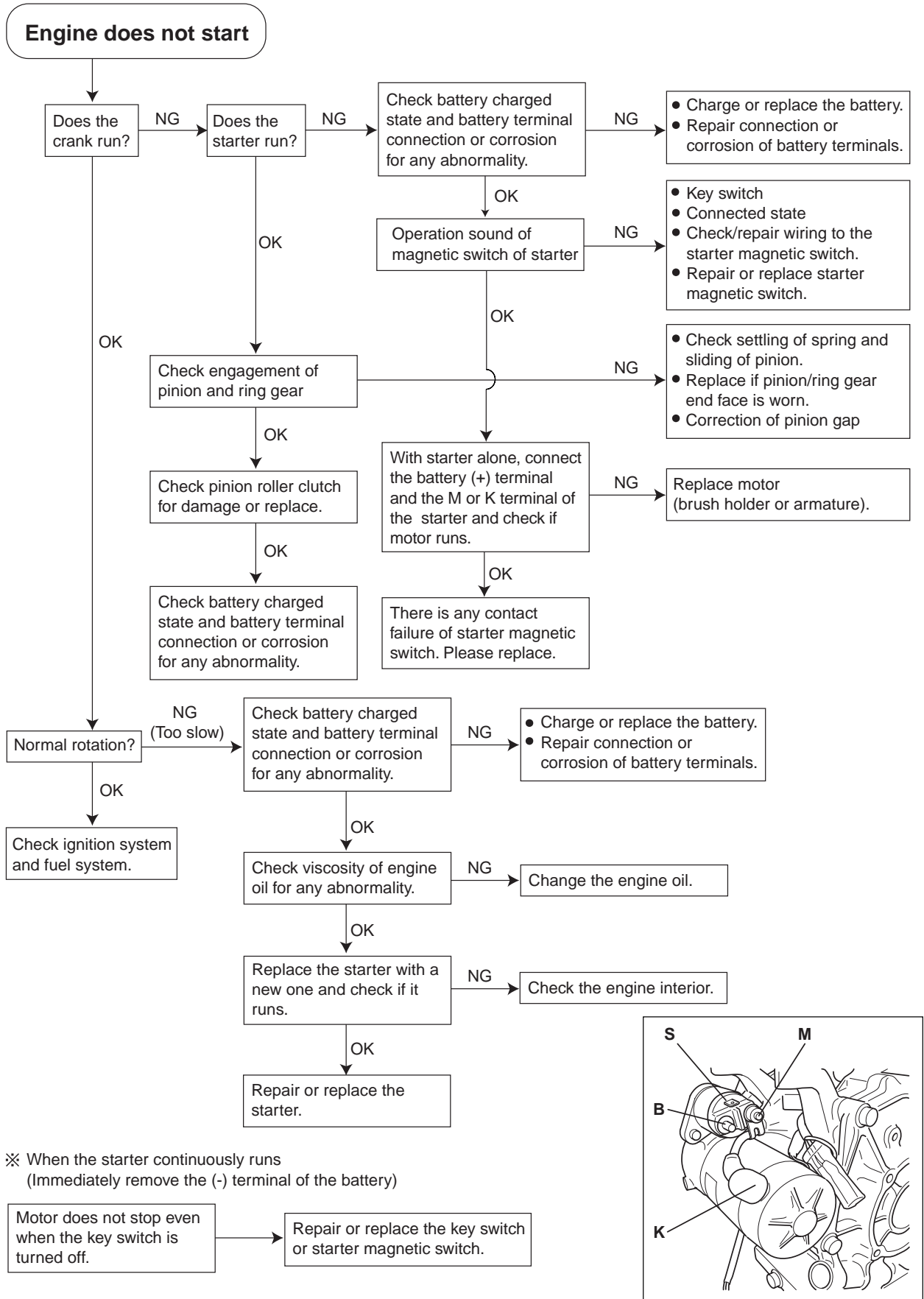
The engine cannot be started unless these three conditions are met. There are also other factors which make engine start difficult, e.g., a heavy load on the engine when it is about to start at low speed, and a high back pressure due to a long exhaust pipe.

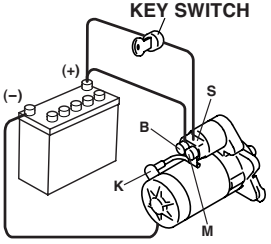
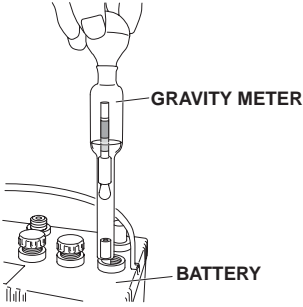
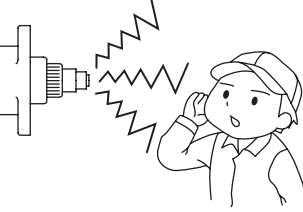
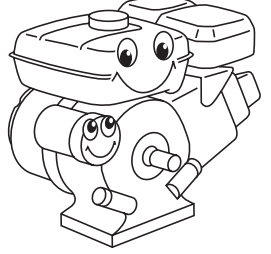
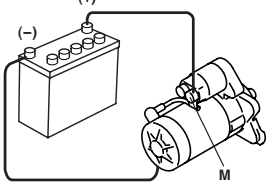
Problem and possible cause		Remedy	
Starting difficulties	1. Ignition system problems	1) Spark plug <ul style="list-style-type: none"> • Improper spark plug gap • Insulation defect • Carbon deposits 	Adjust the gap Replace Clean
		2) Ignition coil <ul style="list-style-type: none"> • Insulation defect or discontinuity • Poor contact or broken wire 	Replace Repair or replace
		3) Improper air gap between ignition coil and flywheel	Adjust
	2. Fuel system problems	1) No fuel in fuel tank	Refill
		2) Fuel hose clogged or pinched	Clean or replace
		3) Air in fuel lines	Check and retighten joints
		4) Poor quality gasoline or water in gasoline	Replace
		5) Carburetor <ul style="list-style-type: none"> • Overflow • Clogged or damaged • Throttle valve malfunction (does not close fully) 	Adjust Overhaul Check and adjust
	3. Engine core components problems	1) Insufficient tightening of cylinder head bolts	Check and retighten
		2) Wearing of piston, piston rings and/or cylinder	Repair or replace
		3) Improper contact of valve and seat	Repair
		4) Valve sticking	Repair
		5) Improper valve clearance	Adjust
6) Leakage from intake manifold gasket		Retighten; replace gasket	
7) Leakage from carburetor gasket		Retighten; replace gasket	
8) Insufficient tightening of spark plug		Retighten	

Problem and possible cause			Remedy
Poor output	1. Insufficient compression	1) Loosen spark plug	Retighten; replace gasket
		2) Leakage from cylinder head gasket	Retighten; replace gasket
		3) Piston ring seizure or wear	Replace
		4) Piston or cylinder wear	Repair or replace
		5) Incorrect valve and seat contact	Repair or replace
		6) Valve stem seizure	Repair or replace
		7) Improper valve clearance	Adjust
	2. Ignition system problems	1) Faulty spark plug	Replace
		2) Faulty ignition coil	Replace
		3) Improper air gap between ignition coil and flywheel	Adjust
		4) Demagnetization (flywheel magneto)	Replace
	3. Fuel system malfunction	1) Carburetor clogged	Overhaul, clean
		2) Fuel strainer and/or hose clogged	Clean or replace
		3) Air in fuel lines	Check and retighten joints
		4) Poor quality gasoline or water in gasoline	Replace
	4. Low air intake volume	1) Air cleaner clogged	Clean or replace
2) Throttle valve malfunction		Repair or replace	
Overheat	1. Engine	1) Cooling air flow obstructed at inlet or cylinder baffle portion	Clean
		2) Poor quality engine oil	Replace
		3) Lean fuel/air mixture	Check and adjust carburetor
		4) Excessive back pressure of exhaust system	Check and clean or replace
		5) Overloading	Adjust to rated load
Rough Idling	1. Carburetor system	1) Low idling speed	Adjust
		2) Slow system passage clogged	Check and clean
	2. Intake system	1) Air mixing from air intake system joints	Check and tighten; replace gasket
	3. Cylinder head	1) Gasket faulty (blow-by)	Replace
	4. Valve system	1) Improper valve clearance	Adjust
		2) Leakage from valve seat	Repair
		3) Excessive clearance between valve stem and guide	Replace
	5. Ignition system	1) Weak spark	Check; adjust or replace plug

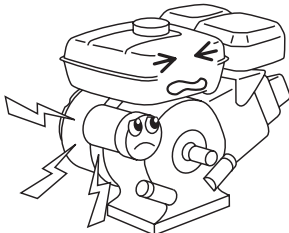
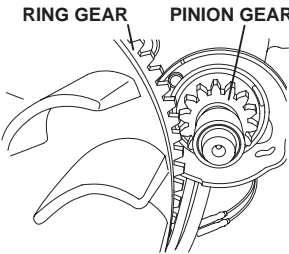
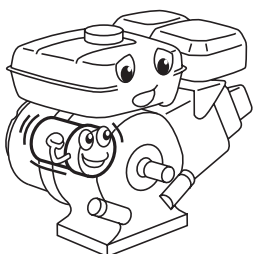
Problem and possible cause		Remedy	
Excessive engine oil consumption	1. Oil leakage	1) Loose oil drain plug	Tighten
		2) Faulty oil drain gasket	Replace
		3) Loose main bearing cover bolts	Tighten
		4) Faulty main bearing cover gasket	Replace
		5) Crankshaft oil seal (front, rear) defect	Replace
	2. Oil up	1) Faulty piston oil ring	Replace
		2) Piston ring seizure, wear or poor contact	Replace
		3) Excessive wear of piston and/or cylinder	Replace
		4) Faulty stem seal	Replace
		5) Excessive oil level	Adjust oil level
		6) Breather defect	Repair or replace
High fuel consumption	1. Fuel system	1) Clogged air cleaner	Clean or replace
		2) Faulty needle valve and/or high fuel level in float chamber	Repair or replace
		3) Choke does not open fully	Repair or replace
	2. Engine core components	1) Low compression	Check and repair
		2) Overcooling	Check and adjust load and/or engine speed
Abnormal engine noise	1. Ignition system problems	1) Loose ignition system wiring	Inspect and tighten
		2) Improper or faulty spark plug	Clean or replace
	2. Fuel system problems	1) Lean or rich fuel/air mixture	Clean, adjust or replace carburetor
		2) Carburetor contamination	Overhaul or clean
		3) Dirty or clogged fuel lines	Clean or replace
		4) Air mixing from air intake system joints	Tighten; replace gasket
	3. Cylinder head	1) Carbon deposit in combustion chamber	Clean
		2) Leakage from cylinder head gasket	Replace
	4. Valve system problems	1) Improper valve clearance	Adjust
		2) Valve heat deterioration	Replace
		3) Worn or broken valve spring	Replace
		4) Improper valve timing	Adjust

ELECTRIC STARTER



Problem and check item	Description	Description	Remedy
1. Checking of continuity of wiring	Check S terminal and B terminal for deformation, looseness, rusting, or dust sticking. Carefully check inserting method of the S terminal. If not abnormal, set the key switch to START position while cranking (no ignition of engine) and check if voltage is applied to the S terminal and B terminal of starter motor.		<p>(1) When no voltage is applied to the S terminal and B terminal, check continuity of the terminals and key switch and repair or replace if necessary.</p> <p>(2) If voltage is applied to the S terminal and B terminal, go to "2. Battery checking."</p>
2. Battery checking	<p>Check battery voltage and specific gravity of battery fluid.</p> <p>[Voltage] Normal value : 12.4 to 12.8V Limit (charging required): 12.4V or lower Starting limit : 12V (at 20° C)</p> <p>[Specific gravity] Normal value : 1.22 to 1.29 Limit (Charging required) : 1.22 or lower</p> <p>[Service life] Variance in specific gravity among cell : 0.04 or more</p>		<p>(1) Charge or change the battery when voltage is lower than 12.4V or specific gravity is lower than 1.22 (at 20 °C).</p> <p>(2) If the wiring and battery are normal, remove the starter and go to "3. Checking of pinion operation."</p>
3. Checking of pinion operation	Check if the pinion operates or sound of magnetic switch contactor is heard. If the pinion does not operate or magnetic switch sound is not heard, check continuity of each coil of magnetic switch.		<p>(1) If the pinion operates or contactor sound is heard, step to "4. Checking of magnetic switch (1)."</p> <p>(2) In case of no continuity Replace the magnetic switch.</p> <p>(3) When continuity is OK Step to "4. Checking of magnetic switch (2)."</p>
4. Checking of magnetic switch	<p>(1) Operate the magnetic switch and check B-M terminals</p> <p>(2) Check the magnetic switch plunger and bobbin interior for dust sticking or rusting.</p>		<p>(1) In case of no continuity Contact continuity failure. Replace the magnetic switch.</p> <p>(2) When continuity is OK Step to "5. Motor checking."</p> <p>(1) Clean the plunger. If the bobbin interior is contaminated, replace the magnetic switch.</p>
5. Motor checking	Connect the (+) side of the battery to the M terminal of magnetic switch and check if the motor runs.		<p>(1) If the motor does not run, check electric circuit inside the motor, field coil, armature, and brush and replace faulty parts.</p>

(1) Starter does not run or only "click" sound is heard.

Problem and check item		Description		Remedy
(2) Starter runs but engine not	Check engaged state of pinion and ring gear.	Motor idles and engine does not run.		(1) Remove and check the starter. Check or replace the pinion clutch if necessary. (2) Check battery charged state and battery terminal connection or corrosion for any abnormality.
		If pinion and ring gear do not engage with each other and abnormal noise is heard between end faces of pinion and ring gear, check the starter pinion and ring gear.		(1) Remove the starter and check pinion and ring gear end faces. If worn, replace the pinion and ring gear. (2) In case of sliding fault of the pinion, correct it. (3) If shift lever or spring is deformed, replace it.
(3) Both starter and engine run, but the engine does not start.		Check if the rotation speed is normal or slow. If slow, check the battery and engine oil viscosity.		(1) When the rotation speed is normal Check the ignition system and fuel system. (2) When the rotation speed is slow (a) Check the battery. (b) Check the viscosity of engine oil. If not normal, change the oil. (c) If both (a) and (b) are normal Remove and check the starter.

16. STANDARD REPAIR TABLES

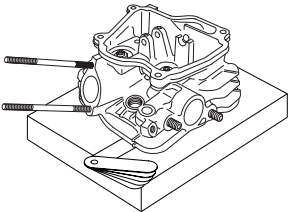
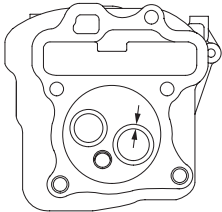
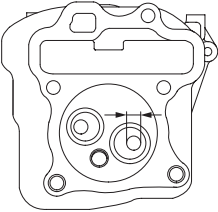
“STD” in the following table is the parts dimension from the brand new engine or the spare parts.

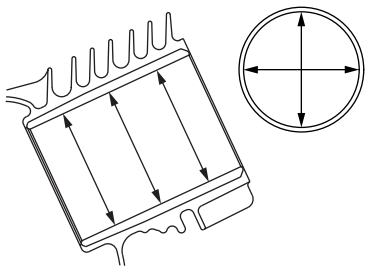
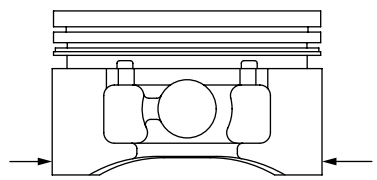
Whereas, “Limit” shows the maximum allowance for the parts to be used on the engine.

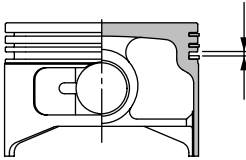
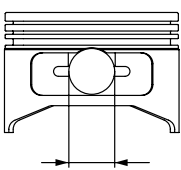
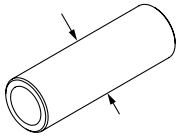
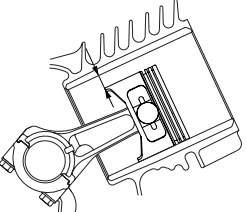
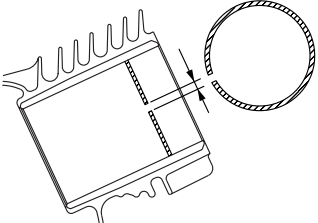
If the measurement exceeds beyond the “Limit”, the part needs to be replaced and/or repaired.

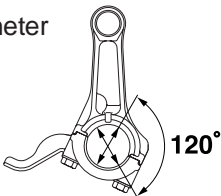
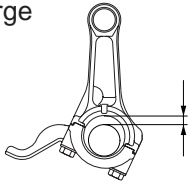
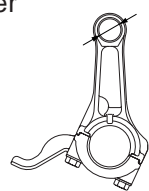
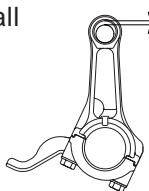
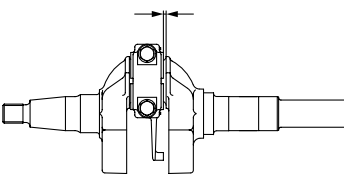
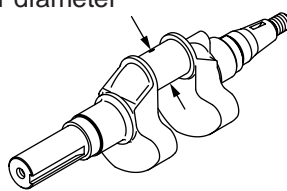
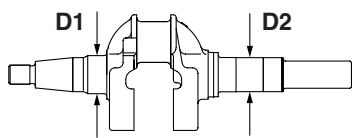
16-1 STANDARD DIMENSIONS AND LIMITS OF USE

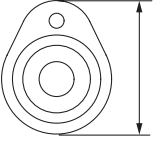
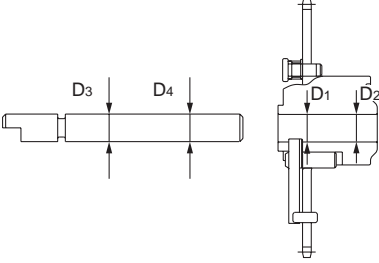
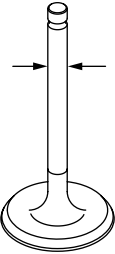
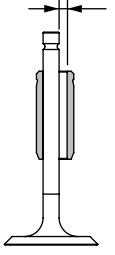
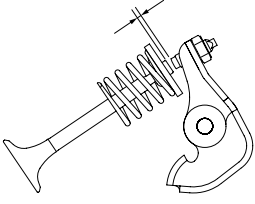
Unit: mm (in.)

ITEM		STD	Limit		
<p>CYLINDER HEAD</p> <p>* Flatness</p>  <p>* Intake/exhaust valve seat contact width</p>  <p>* Intake/exhaust valve guide inner diameter</p> 		EX13 EX17 EX21 EX27	0.05 (0.002)	0.1 (0.004)	
	Intake Exhaust	EX13 EX17 EX21 EX27	0.7 - 1.0 (0.0276 - 0.0394)	-	
	Intake Exhaust	EX13 EX17 EX21 EX27	5.500 - 5.518 (0.2165 - 0.2172)	-	
	* Rocker arm pin outer diameter	Pin outer diameter D ₁ , D ₂	EX13 EX17 EX21 EX27	5.970 - 5.980 (0.235 - 0.235)	5.9 (0.232)
		* Rocker arm pin support inner diameter	Support inner diameter D ₃ , D ₄	EX13 EX17 EX21 EX27	6.00 - 6.018 (0.236 - 0.237)

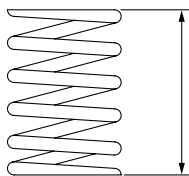
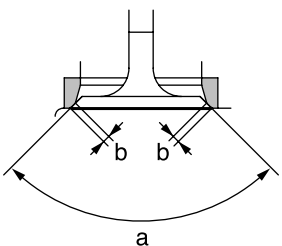
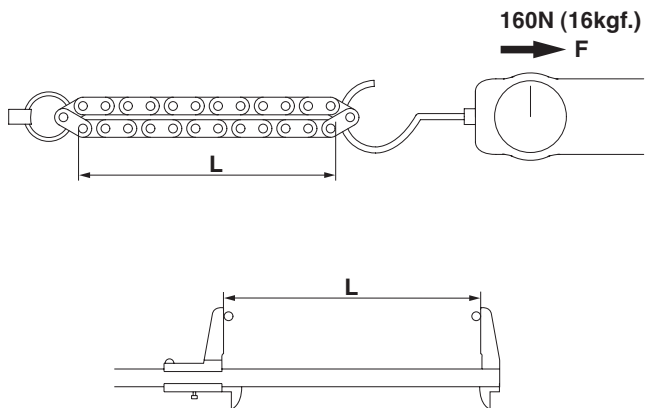
ITEM		STD	Limit	
CYLINDER * Inner diameter 	Standard	EX13 58.000 - 58.019 (2.2835 - 2.2842)	To be rebored when the difference between max. and min. of diameter reached to 0.1 (0.004).	
		EX17 EX21 67.000 - 67.019 (2.6378 - 2.6385)		
		EX27 75.000 - 75.019 (2.9528 - 2.9535)		
	First reboring	EX13 58.250 - 58.269 (2.2933 - 2.2941)	Ditto	
		EX17 EX21 67.250 - 67.269 (2.6476 - 2.6484)		
		EX27 75.250 - 75.269 (2.9626 - 2.9633)		
	Second reboring	EX13 58.500 - 58.519 (2.3031 - 2.3039)	Ditto	
		EX17 EX21 67.500 - 67.519 (2.6575 - 2.6582)		
		EX27 75.500 - 75.519 (2.9724 - 2.9732)		
	* Roundness after reboring	EX13 EX17 EX21 EX27	Less than 0.01 (0.0004)	
	* Cylindricity after reboring	EX13 EX17 EX21 EX27	Less than 0.015 (0.0006)	
	PISTON * Outer diameter at skirt in thrust direction 	Standard	EX13 57.980 - 58.000 (2.2827 - 2.2835)	57.89 (2.2791)
EX17 EX21 66.960 - 67.000 (2.6362 - 2.6378)			66.88 (2.6331)	
EX27 74.980 - 75.000 (2.9520 - 2.9527)			74.89 (2.9484)	
Oversize +0.25		EX13 58.230 - 58.250 (2.2925 - 2.2933)	58.14 (2.2890)	
		EX17 EX21 67.210 - 67.250 (2.6461 - 2.6476)	67.13 (2.6429)	
		EX27 75.230 - 75.250 (2.9618 - 2.9626)	75.14 (2.9583)	
Oversize +0.50		EX13 58.480 - 58.500 (2.3024 - 2.3032)	58.39 (2.2988)	
		EX17 EX21 67.460 - 67.500 (2.6559 - 2.6575)	67.38 (2.6528)	
		EX27 75.480 - 75.500 (2.9717 - 2.9724)	75.39 (2.9681)	

ITEM		STD	Limit	
PISTON * Ring groove side clearance  * Piston pin hole  * Piston pin outer diameter  * Clearance between piston and cylinder at skirt  * Piston ring end gap 	Top Second	EX13 EX17 EX21 EX27 0.035 - 0.080 (0.0014 - 0.0031)	0.15 (0.0059)	
	Oil ring Coil exp	EX13	0.02 - 0.075 (0.0008 - 0.0031)	0.15 (0.0059)
		EX17 EX21	0.01 - 0.065 (0.0004 - 0.0026)	
		EX27	0.01 - 0.065 (0.0004 - 0.0026)	
	Oil ring (three-piece)	EX13	0.060 - 0.165 (0.0024 - 0.0065)	—
		EX17 EX21	0.0300 - 0.185 (0.0012 - 0.0073)	
		EX27	0.0100 - 0.205 (0.0004 - 0.0081)	
	* Piston pin hole	EX13	12.991 - 13.009 (0.5115 - 0.5122)	13.035 (0.5132)
		EX17 EX21	15.991 - 16.009 (0.6296 - 0.6303)	16.035 (0.6313)
		EX27	17.991 - 18.009 (0.7083 - 0.7090)	18.035 (0.7224)
	* Piston pin outer diameter	EX13	12.992 - 13.000 (0.5115 - 0.5118)	12.960 (0.5102)
		EX17 EX21	15.992 - 16.000 (0.6296 - 0.6299)	15.960 (0.6283)
EX27		17.992 - 18.000 (0.7083 - 0.7087)	17.960 (0.7071)	
* Clearance between piston and cylinder at skirt	EX13	0.040 - 0.079 (0.0016 - 0.0031)	0.25 (0.010)	
	EX17 EX21 EX27	0.050 - 0.089 (0.0020 - 0.0035)		
* Piston ring end gap	Top	EX13	0.15 - 0.35 (0.0059 - 0.0138)	1.5 (0.0591)
		EX17 EX21	0.15 - 0.3 (0.0059 - 0.0118)	
		EX27	0.1 - 0.3 (0.0039 - 0.0118)	
	Second	EX13	0.15 - 0.35 (0.0059 - 0.0138)	1.5 (0.0591)
		EX17 EX21 EX27	0.2 - 0.4 (0.0078 - 0.0157)	
	Oil (Coil exp)	EX13	0.2 - 0.4 (0.0078 - 0.0157)	1.5 (0.0591)
EX17 EX21		0.05 - 0.25 (0.0020 - 0.0098)		
EX27		0.1 - 0.3 (0.0039 - 0.0118)		

ITEM		STD	Limit
CONNECTING ROD * Large end inner diameter  * Clearance between large end and crank pin  * Small end inner diameter  * Clearance between small end and piston pin  * Large end side clearance 	EX13 EX17 EX21	30.000 - 30.016 (1.1811 - 1.1817)	30.1 (1.1850)
	EX27	34.500 - 34.516 (1.3386 - 1.3392)	34.1 (1.3425)
	EX13 EX17 EX21 EX27	0.020 - 0.049 (0.0008 - 0.0019)	0.2 (0.0078)
	EX13	13.010 - 13.021 (0.5122 - 0.5126)	13.08 (0.5150)
	EX17 EX21	16.010 - 16.021 (0.6303 - 0.6307)	16.08 (0.6331)
	EX27	18.010 - 18.021 (0.7091 - 0.7095)	18.08 (0.7118)
	EX13 EX17 EX21 EX27	0.010 - 0.029 (0.0004 - 0.0011)	0.12 (0.0047)
	EX13 EX17 EX21 EX27	0.100 - 0.780 (0.0040 - 0.307)	1.0 (0.0394)
CRANKSHAFT * Crank pin outer diameter 	EX13 EX17 EX21	29.967 - 29.980 (1.1798 - 1.1803)	29.85 (1.1752)
	EX27	34.467 - 34.480 (1.3570 - 1.3575)	34.35 (1.3524)
* Journal outer diameter 	D1	EX13 EX17 EX21	27.988 - 27.997 (1.1019 - 1.1022)
		EX27	29.988 - 29.997 (1.1806 - 1.1810)
	D2	EX13 EX17 EX21	24.988 - 24.997 (0.9838 - 0.9841)
		EX27	29.988 - 29.997 (1.1806 - 1.1810)

ITEM		STD	Limit
CAMSHAFT * Cam peak height (intake and exhaust) 	Cam peak height	EX13 EX17 EX21 EX27 29.028 - 29.128 (1.1428 - 1.1468)	28.98 (1.1409)
	Cam inner diameter D ₁ ,D ₂	EX13 EX17 EX21 EX27 9.0 - 9.036 (0.3543 - 0.3557)	9.05 (0.3563)
	* Cam sprocket inner diameter * Pin (cam sprocket) outer diameter 	EX13 EX17 EX21 EX27 Pin outer diameter D ₃ ,D ₄ 8.953 - 8.975 (0.3525 - 0.3533)	8.95 (0.3524)
INTAKE/EXHAUST VALVES * Valve stem outer diameter  * Clearance between valve stem and valve guide  * Valve clearance (in cold state) 	Intake	EX13 EX17 EX21 EX27 5.440 - 5.455 (0.2142 - 0.2148)	5.35 (0.2106)
	Exhaust	EX13 EX17 EX21 EX27 5.426 - 5.444 (0.2136 - 0.2143)	5.35 (0.2106)
	Intake	EX13 EX17 EX21 EX27 0.045 - 0.078 (0.0018 - 0.0031)	0.3 (0.0118)
	Exhaust	EX13 EX17 EX21 EX27 0.056 - 0.092 (0.0022 - 0.0036)	0.3 (0.0118)
	Intake	EX13 EX17 EX21 EX27 0.12 - 0.15 (0.0047 - 0.0059)	
	Exhaust	EX13 EX17 EX21 EX27 0.12 - 0.15 (0.0047 - 0.0059)	

Unit: mm (in.)

ITEM		STD	Limit
VALVE SPRING FREE LENGTH 	EX13 EX17 EX21 EX27	27.4 (1.0787)	
VALVE SEAT ANGLE (INTAKE AND EXHAUST) * Valve cutter angle (a) * Valve contact width (b) 	Intake Exhaust	a: 90° b: 0.7 - 1.0 (0.0276 - 0.0394)	2.0 (0.0787)
CHAIN LENGTH 	EX13 EX17 EX21 EX27	263.1 (10.3583) 269.0 (10.5906) 281.7 (11.0906) 307.1 (12.0906)	266.0 (10.4726) 272.1 (10.7126) 284.9 (11.2165) 310.6 (12.2284)

		EX13	EX17	EX21	EX27
Compression pressure	(kg · cm ² / 500 rpm)	3.5	4.0	4.0	4.0
Fuel consumption	Continuous load / 3600 rpm (L / Hr)	1.2	1.6	1.9	2.6
Lubricant	Capacity (L)	0.6			1.0
	Efficacy (mL)	350			500
	Consumption (mL / Hr)	5 - 10			8 - 13

Oil consumption has been measured under-following condition :

- Good break-in operation has been finished.
- Oil : 10W-30 (Grade SE)
- Load : Continuous load / 3600 rpm

16-2 TIGHTENING TORQUE

ITEM			Tightening Torque		
			N · m	kgf · cm	ft · lb.
Cylinder head bolts	M8 × 68 flange bolt	Re-use	25.0 - 27.0	250 - 270	18.1 - 19.5
		When replace to new cylinder head and flange bolts	28.0 - 30.0	280 - 300	20.3 - 21.7
	M8 × 35 flange bolt		17.0 - 19.0	170 - 190	12.3 - 13.7
Connecting rod cap bolts	EX13,17,21		13.0 - 15.0	130 - 150	9.4 - 10.8
	EX27		17.0 - 20.0	170 - 200	12.3 - 14.5
Flywheel nut			59.0 - 64.0	590 - 640	42.7 - 46.3
Main bearing cover bolts			22.0 - 24.0	220 - 240	16.2 - 17.7
Spark plug	New		12.0 - 15.0	120 - 150	8.7 - 10.8
	Re-tightening		23.0 - 27.0	230 - 270	16.6 - 19.5
Muffler nut			18.0 - 22.0	180 - 220	13.0 - 15.9
Ignition coil			7.0 - 9.0	70 - 90	5.1 - 6.5

17. MAINTENANCE AND STORAGE

The maintenance jobs described below apply to correct use of the engine under normal conditions.

The maintenance intervals mentioned in this section are not a guarantee that no maintenance is required during those intervals.

For example, when the engine is used in dusty conditions, the air cleaner should be cleaned every day, rather than every 100 hours.

17-1 DAILY MAINTENANCE (EVERY 8 HOURS OF USE)

MAINTENACE ITEMS	REASON / REMARKS
(1) Clean dust from engine.	(1) Dust can impair operation of various parts. Governor linkage is especially sensitive to dust.
(2) Check for fuel leakage. Tighten or replace parts, if necessary.	(2) Uneconomical and dangerous.
(3) Check all parts are securely fastened. Tighten, if necessary.	(3) Looseness can result in vibration and accidents.
(4) Check oil level and add up to full mark.	(4) Running the engine with insufficient oil can result in serious problems, including engine seizure.
(5) Check that the air cleaner element is clean. Clean or replace, if necessary.	(5) A clogged air cleaner can cause power loss and malfunction.

17-2 INSPECTION AND MAINTENANCE AFTER THE FIRST 20 HOURS

MAINTENACE ITEMS	REASON / REMARKS
(1) Change the crankcase oil.	(1) Sludge is deposited during running-in.

17-3 INSPECTION AND MAINTENANCE EVERY 100 HOURS (EVERY 10 DAYS)

MAINTENACE ITEMS	REASON / REMARKS
(1) Change the crankcase oil.	(1) Contaminated oil quickens wear.
(2) Clean the air cleaner.	(2) A clogged air cleaner can cause engine malfunction.
(3) Inspect the spark plug. Clean with gasoline or polish with sandpaper if dirty.	(3) A faulty spark plug can cause low power output and poor starting performance.

17-4 INSPECTION AND MAINTENANCE EVERY 100 TO 200 HOURS (EVERY MONTH)

MAINTENACE ITEMS	REASON / REMARKS
(1) Clean the fuel strainer and fuel tank.	(1) Contaminated fuel can cause engine malfunction.
(2) Change the air cleaner element.	(2) A clogged air cleaner can cause engine malfunction.

17-5 INSPECTION AND MAINTENANCE EVERY 300 HOURS

MAINTENACE ITEMS	REASON / REMARKS
(1) Inspect the intake and exhaust valve clearance. Adjust if necessary.	(1) Incorrect clearance can cause low power output and engine malfunction.

17-6 INSPECTION AND MAINTENANCE EVERY 500 TO 600 HOURS (EVERY 6 MONTHS)

MAINTENACE ITEMS	REASON / REMARKS
(1) Remove the cylinder head and remove any carbon.	(1) Carbon deposits can cause engine malfunction.
(2) Disassemble and clean the carburetor.	(2) A faulty carburetor can cause engine malfunction.

17-7 MAINTENANCE EVERY 1,000 HOURS (ANNUAL MAINTENANCE)

MAINTENACE ITEMS	REASON / REMARKS
(1) Overhaul the engine. Clean and correct the engine parts, replacing if necessary. (2) Replace the piston rings. (3) Replace the fuel hose.	(1) Dirty, misaligned or worn parts can cause low power output and engine malfunction. (2) Faulty piston rings can cause low output power and engine malfunction. (3) To prevent fuel leakage and attendant dangers.

17-8 ENGINE STORAGE

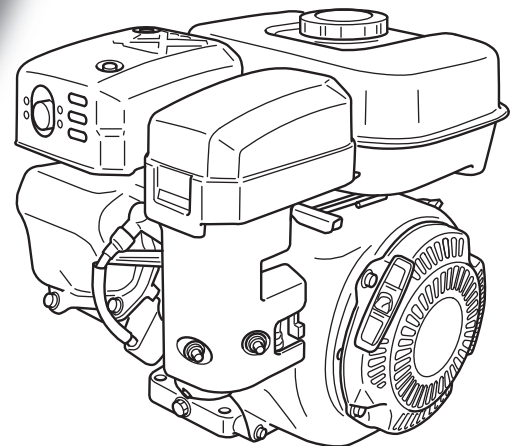
- (1) Carry out the maintenance jobs described in step 16-1 above.
- (2) Drain fuel from the fuel tank and carburetor float chamber.
- (3) To prevent rust in the cylinder bore, inject oil through the spark plug hole, pull the recoil starter knob gently 2 or 3 times and then put back the spark plug.
- (4) Pull the recoil starter knob until the resistance is heavy. Leave it in that position.
- (5) Clean the exterior of the engine with an oiled cloth. Place a plastic cover or similar over the engine, and store the engine in a dry place.



EX21 FI



Air-cooled, 4-cycle
Gasoline Engine



SERVICE INFORMATION

PREFACE

This portion of the manual covers the service information, trouble shooting procedures of the EX21 EFI (Electronic Fuel injection) engine.

Careful observance of the instructions given herein will result in better, safer and faster service work.

For more detailed instructions of disassembling and reassembling procedures, please refer back to the standard service procedure .

CONTENTS

<i>Section</i>	<i>Title</i>	<i>Page</i>
1.	SPECIFICATIONS	1
2.	DESCRIPTION OF FUEL SYSTEM	2
3.	DISASSEMBLY AND REASSEMBLY	3
3-1	PREPARATIONS AND PRECAUTIONS	3
3-2	SPECIAL TOOLS	3
3-3	DISASSEMBLY PROCEDURES (DIFFERENCE)	4
3-4	REASSEMBLY PROCEDURES (DIFFERENCE)	7
4.	WIRING DIAGRAM	8
5.	THROTTLE BODY	9
5-1	SPECIFICATIONS	9
5-2	FUNCTIONS AND CONSTRUCTION	9
5-3	FUEL SYSTEM OUTLINE	10
5-4	FUEL SYSTEM TESTING AND DIAGNOSIS	10
6.	INSTALLATION	15
6-1	FUEL SYSTEM	15
7.	TROUBLESHOOTING	16
7-1	ENGINE	16
8.	MAINTENANCE AND STORAGE	20
9.	ORGANIZE	22

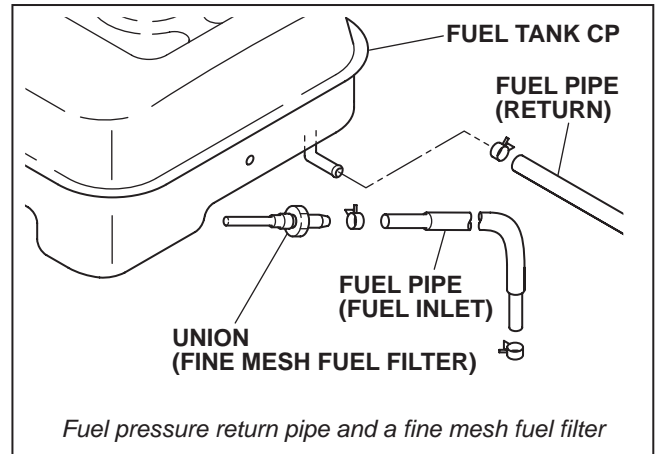
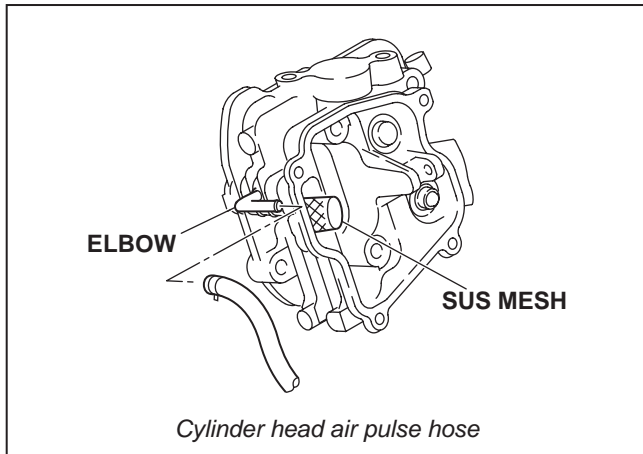
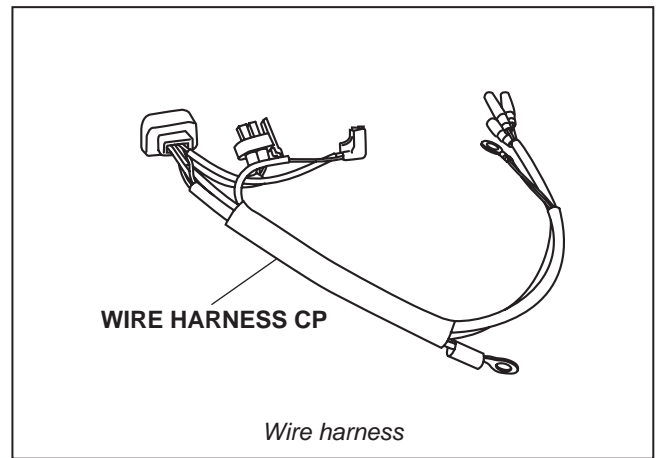
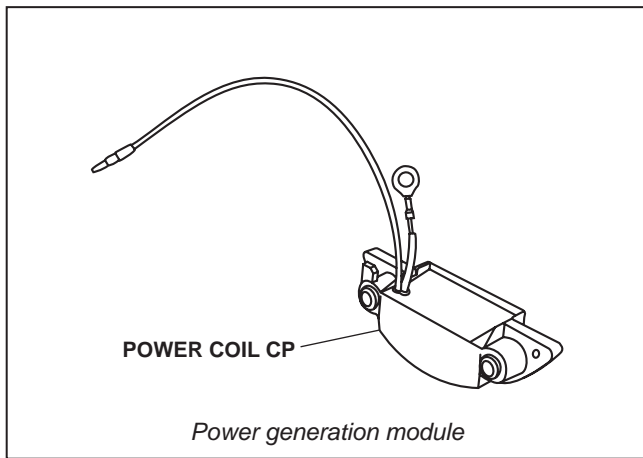
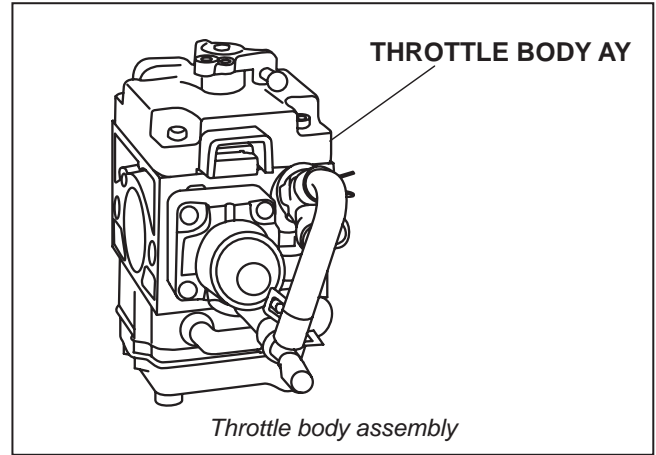
1. SPECIFICATIONS

Model		EX21D
Type		Air-Cooled, 4-Cycle, Slant Single-Cylinder, Horizontal P.T.O. Shaft, OHC Gasoline Engine
Bore & Stroke	mm (in.)	67 x 60 (2.64 x 2.36)
Piston Displacement	ml (cu.in.)	211 (12.87)
Compression Ratio		8.5
Continuous Output	kW(HP)/r.p.m.	3.2(4.4)/3000 3.7(5.0)/3600
Maximum Output	kW(HP)/r.p.m.	5.1(7.0)/4000
Maximum Torque	N·m / r.p.m. (kgf·m / r.p.m.) (ft·lb. / r.p.m.)	13.9/2500 (1.41/2500) (10.26/2500)
Direction of Rotation		Counterclockwise as viewed from the P.T.O. shaft side
Valve Arrangement		Overhead cam system
Cooling System		Forced air cooling system
Lubrication System		Splash lubrication system
Lubricant		Automobile engine oil ; Grade SE or higher (SG,SH or SJ in recommended) SAE 10W-30-----Under ordinary atmospheric temperatures SAE 5W-30-----In cold areas
Capacity of Lubricant	L	0.6
Throttle body		Electronic Fuel injection
Fuel		Automobile unleaded gasoline
Fuel Consumption Rate	g/kW·h (g/HP·h)	367 (270) at continuous rated output
Fuel Supply System		Diaphragm pump (Pulse type)
Fuel Tank Capacity	L	3.6
Ignition System		Transistorized magneto
Spark Plug		NGK BR-6HS
Starting System		Recoil starter
Governor System		Centrifugal flyweight system
Dry Weight	kg (lb.)	16 (35.28)
Dimensions (L x W x H)	mm (in.)	321 x 369 x 335 (12.6 x 14.5 x 13.2)

2. DESCRIPTION OF FUEL SYSTEM

This engine is equipped with electronic fuel injection.

The fuel system consists of a throttle body assembly, power generation module, wire harness, cylinder head air pulse hose, fuel pressure return pipe and a fine mesh fuel filter.



The fuel system is calibrated after careful testing for optimum all-round performance (including starting, acceleration, fuel consumption, output power characteristics). Special attention is also paid to the general-purpose use of the engine.

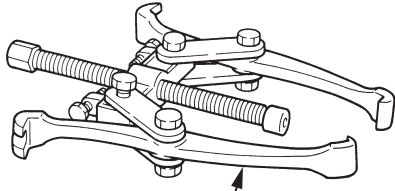
(For further information, refer to page 9, section "5.THROTTLE BODY".)

3. DISASSEMBLY AND REASSEMBLY

3-1 PREPARATIONS AND PRECAUTIONS

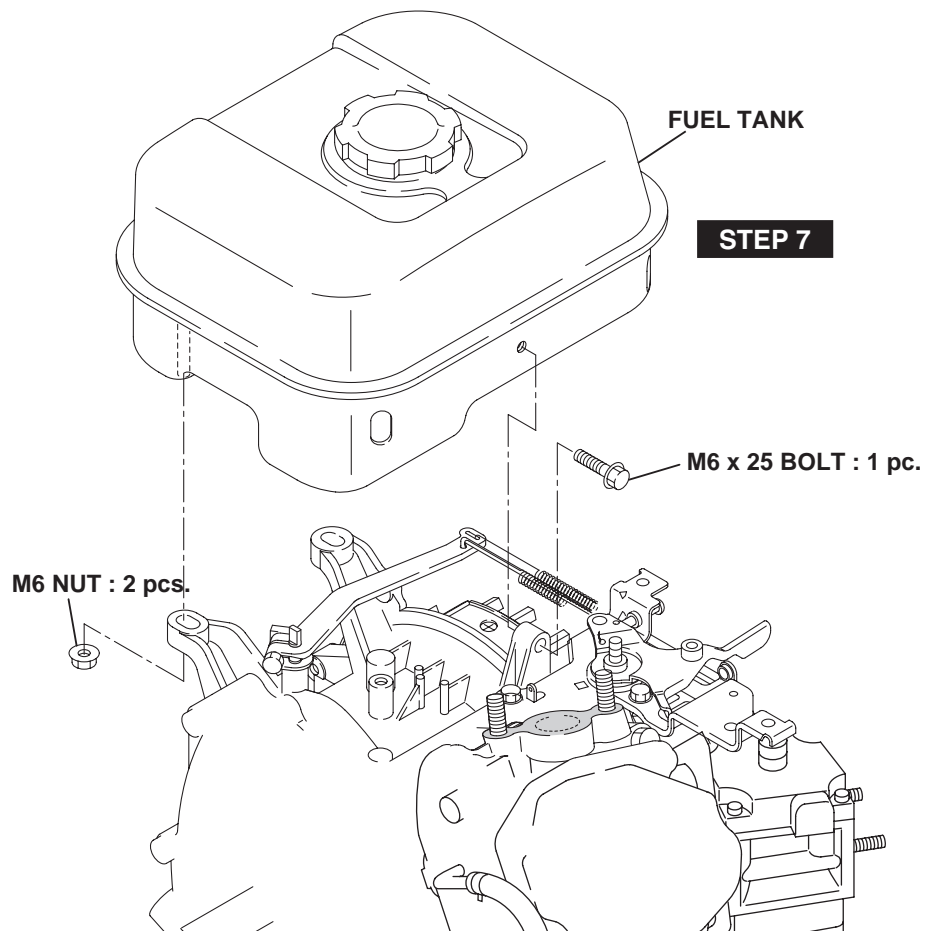
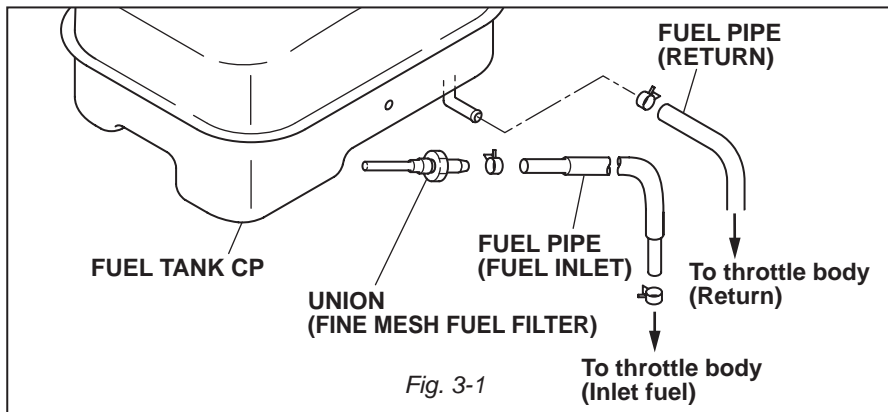
- (1) When disassembling the engine, memorize the location of each part so that you can reassemble the engine correctly. If necessary, attach identification tags with the required assembly information to the parts.
- (2) Store groups of parts in separate boxes. This will make reassembly easier.
- (3) To prevent parts from being mislaid, keep each group provisionally assembled after removing the parts from the engine.
- (4) Handle the disassembled parts with the utmost care. Clean them with cleaning oil if necessary.
- (5) Use the correct tools in the correct way when disassembling and reassembling the engine.

3-2 SPECIAL TOOLS

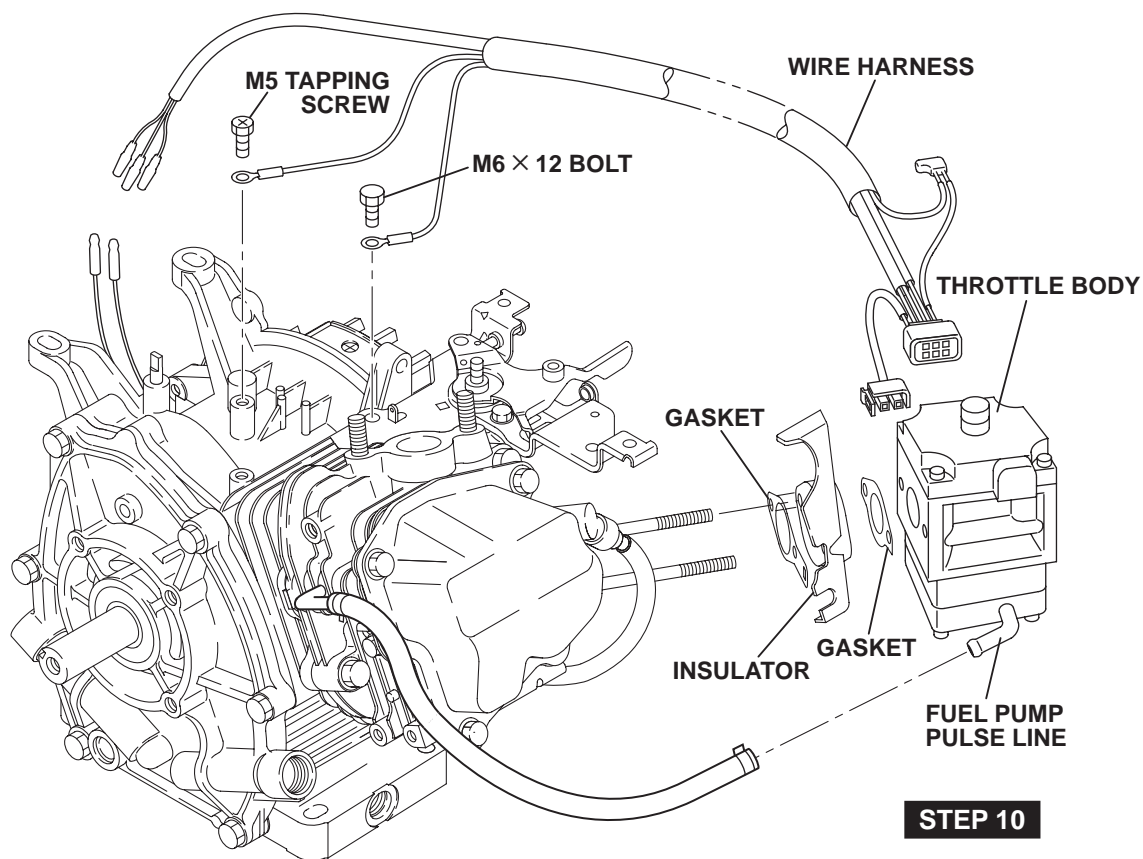
Description	Parts number
<p data-bbox="231 836 673 864">Flywheel puller for pulling off the flywheel</p>  <p data-bbox="435 1106 668 1129">FLYWHEEL PULLER</p>	<p data-bbox="984 987 1320 1015">Commercially available product</p>
<p data-bbox="231 1187 438 1215">Dwyer #490-1 Wet</p> <p data-bbox="231 1220 510 1248">Wet handheld manometer</p>	<p data-bbox="1088 1205 1216 1233">XXXXXXXX</p>
<p data-bbox="231 1293 388 1321">Throttle body</p> <p data-bbox="231 1325 651 1353">Computer data cable with 9 volt battery</p>	<p data-bbox="1088 1310 1211 1338">308802006</p>
<p data-bbox="231 1416 547 1444">Diagnostic EFI Compact Disc</p>	<p data-bbox="1088 1416 1216 1444">XXXXXXXX</p>
<p data-bbox="231 1522 530 1550">Desktop or laptop computer</p>	<p data-bbox="959 1522 1345 1550">RS232 9-pin COM port on computer</p>

3-3 DISASSEMBLY PROCEDURES (DIFFERENCE)

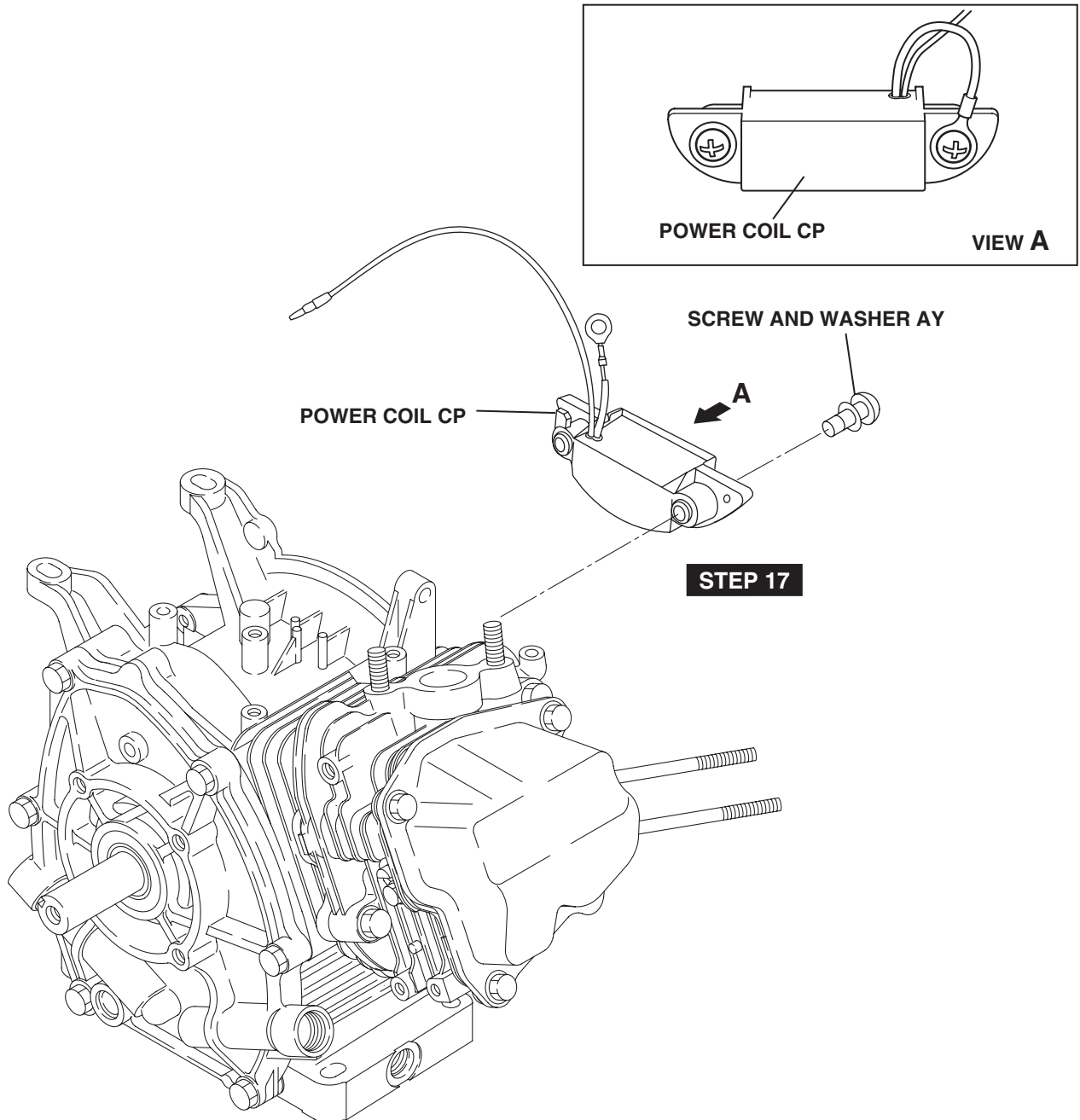
Step	Parts to remove	Remarks and procedures	Parts Fasteners
7	Fuel tank	(1) Drain fuel from the tank. (2) Remove the fuel tank mounting nuts and bolts from the crankcase. (3) Disconnect the fuel pipe from the tank outlet. (See Fig. 3-1) (4) Disconnect the fuel return line from the bottom of the fuel tank. (See Fig. 3-1) (5) Remove the fuel tank from the crankcase	10 mm spanner or box wrench M6 nut : 2 pcs. M6 x 25mm : 1 pc.



Step	Parts to remove	Remarks and procedures	Parts Fasteners
10	Throttle body, Insulator	(1) Disconnect the fuel pump pulse line from the throttle body. (2) Leaving the wire harness plugged into the throttle body, disconnect the EFI wire harness from the engine. (3) Remove the harness ground (black) from the top of the crankcase. (4) Disconnect the engine temperature sensor (yellow) from the back of the throttle bracket. (5) Disconnect the low oil sensor lead (orange) and the power generation lead (red) from the harness. (6) Once the wire harness is completely free from the engine, remove the throttle body with wire harness from the cylinder head. Remove the insulator.	M5 tapping screw + screwdriver 10mm box spanner M6 × 12mm : 2 pcs



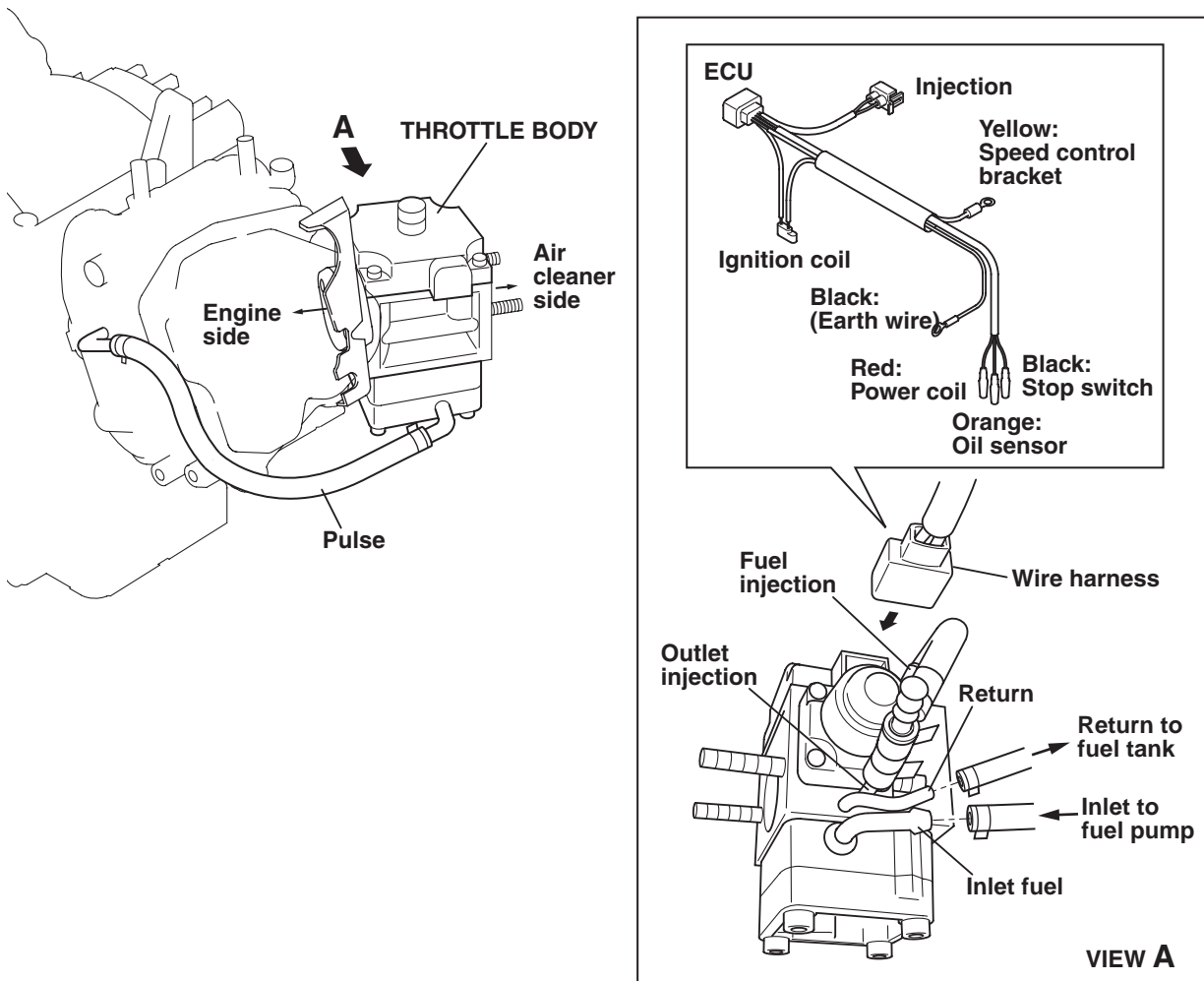
Step	Parts to remove	Remarks and procedures	Parts Fasteners
17	EFI power generation module	Remove the EFI power generation module.	M6 × 20mm : 2 pcs. + screwdriver



3-4 REASSEMBLY PROCEDURES (DIFFERENCE)

(22) THROTTLE BODY

- (a) Replace the gasket of insulator with a new one and mount the insulator on the cylinder head intake side.
- (b) Mount the throttle body keeping the wire harness plugged into the throttle body.
Re-connect the fuel pump pulse line from the throttle body. Leaving the wire harness plugged into the throttle body, re-connect the EFI wire harness to the engine. Connect the harness ground (black) to the top of the crankcase.
Connect the engine temperature sensor (yellow) to the back throttle bracket mounting hole on top of the throttle bracket. Connect the low oil sensor lead (orange) and the power generation lead (red) to the harness.

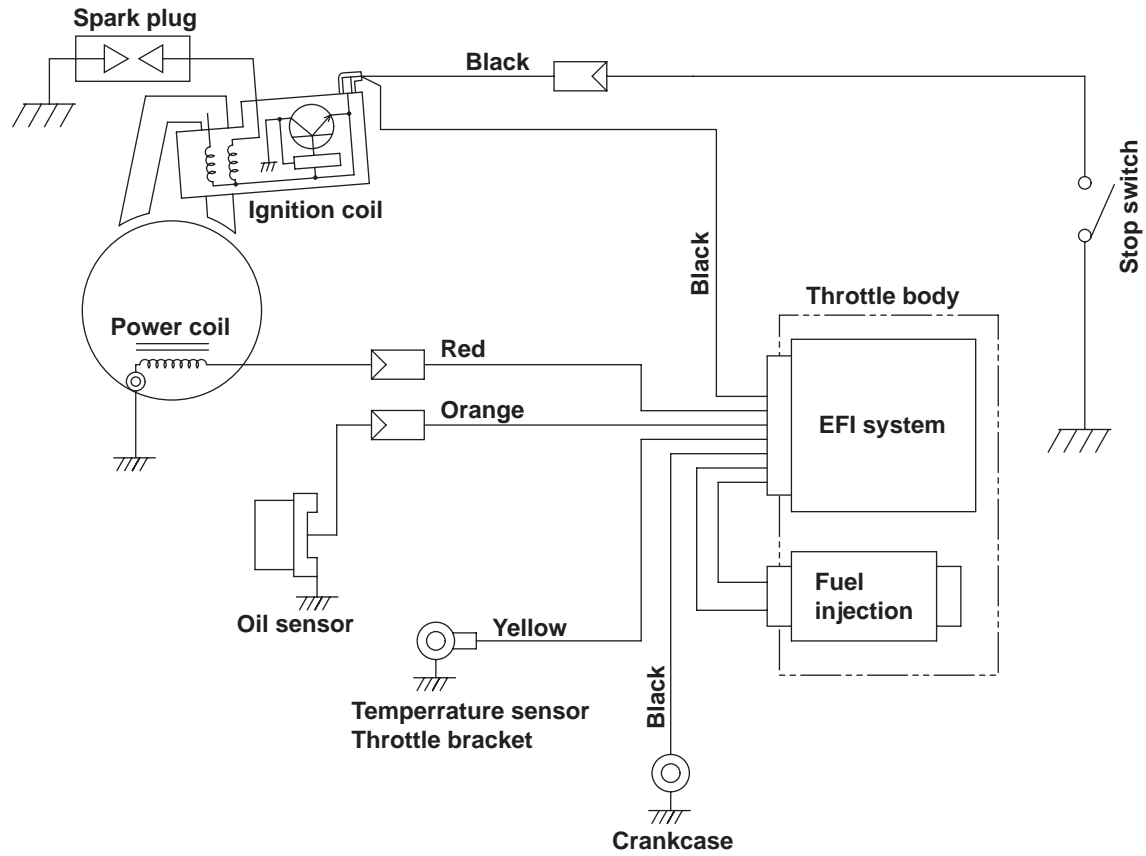


(26) FUEL TANK

- (1) Connect the fuel pipe and fix it with a clamp.
- (2) Connect the fuel pressure return pipe and fix it with a clamp.
- (3) Mount the fuel tank on the crankcase.

4. WIRING DIAGRAM

MODEL WITH EFI



5. THROTTLE BODY

5-1 SPECIFICATIONS

This engine is equipped with electronic fuel injection.

The fuel system consists of a throttle body assembly, power generation module, wire harness, crankcase air pulse hose, fuel pressure return pipe and a fine mesh fuel filter.

The fuel system is calibrated after careful testing for optimum all-round performance (including starting, acceleration, fuel consumption, output power characteristics).

The throttle body monitors air and engine temperature at start up and performs the choke function automatically.

While the engine is in operation, the throttle body monitors engine speed, throttle position, intake air temperature, and engine temperature to ensure proper engine performance.

5-2 FUNCTIONS AND CONSTRUCTION

5-2-1 FUEL PUMP

The fuel pump chamber is located below the throttle body.

The fuel pump is actuated by crankcase vacuum from the cylinder head nipple through the crankcase air pulse hose, to a nipple located on the fuel pump.

The fuel flows from the tank into the fuel pump. When the fuel pump is actuated by the crankcase vacuum, the fuel is pressurized by the pump and pushed into the throttle body pressure port.

5-2-2 FUEL PRESSURE REGULATOR

After the fuel pressure port is a diaphragm-type fuel pressure regulator.

The fuel pressure regulator relieves the throttle body of any excess fuel pressure and returns excess fuel pressure back to the fuel tank through the fuel pressure return pipe.

5-2-3 FUEL INJECTOR

The throttle body pressure port feeds fuel at a regulated pressure to the fuel injector.

Fuel is metered by the fuel injector that is actuated electronically by the Electronic Control Unit (ECU).

The fuel is injected into the throttle bore and mixed with air from the air cleaner.

5-2-3 ELECTRONIC CONTROL UNIT (ECU)

The ECU (electronic control unit) on top of the throttle body is powered by the power generation module when the engine is first rotated on start-up.

The ECU monitors engine conditions such as engine speed, throttle position, intake air temperature, and engine temperature.

With these inputs, the ECU actuates the fuel injector to ensure the fuel/air mixture is of optimum concentration and is fed into the combustion chamber of the engine at the correct timing.

The ECU also controls the low oil sensor system and monitors engine hours and other critical engine data.

5-2-4 POWER GENERATION MODULE

The power generation module is installed under the flywheel. This module provides power to the ECU.

5-2-5 WIRE HARNESS

The wire harness for the EFI system connects key system components to the ECU.

The EFI wire harness contains a temperature sensor that measures engine temperature.

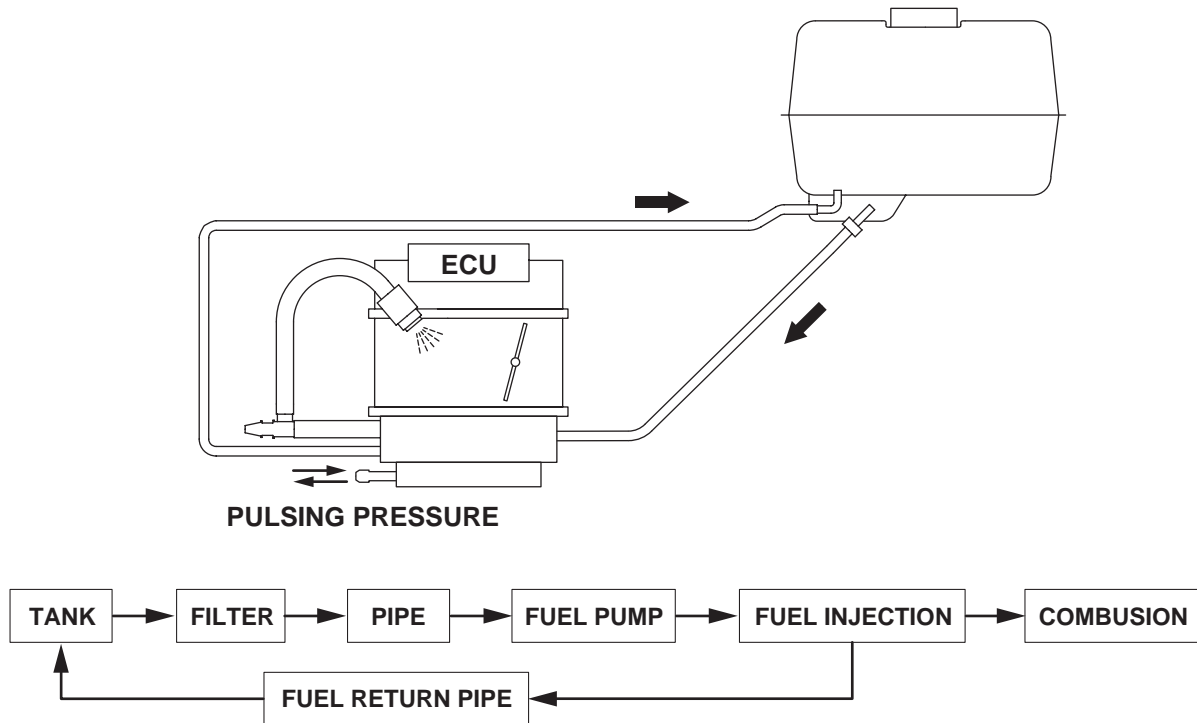
The ECU uses this input to adjust to engine conditions.

5-2-6 CHOKE SYSTEM

The throttle body monitors air and engine temperature at start up and performs the choke function automatically.

The choke system automatically adjusts for easier start of the engine in all weather conditions.

5-3 FUEL SYSTEM OUTLINE



5-4 FUEL SYSTEM TESTING AND DIAGNOSIS

Most fuel system malfunctions occur when the fuel/air ratio of the mixture is not correct. This is usually caused by clogged fuel filters, air passages, fuel passages, or by variations in the fuel level.

To get the best possible performance from the throttle body, make sure that the fuel feed and air feed passages are free so air and fuel can flow freely through them.

The procedure for inspecting the fuel system is described below.

Run all system tests with a full tank of fresh, clean fuel.

5-4-1 CHECK CRANKCASE OIL LEVEL AND FOLLOW STARTING PROCEDURE

- (1) Check the oil level and add or drain oil until to the proper crankcase level.
Low oil or overfilled crankcase oil can cause fuel pump malfunction due to low crankcase vacuum or a pump restriction due to oil carry over into the pump.
- (2) Turn the ignition switch to off, pull 5 or 6 times, then turn switch back to on and start engine normally.
Following this extra starting procedure on an EFI engine will ensure the cylinder is not flooded and/or ensure the fuel system has been purged of excess air.
- (3) Inspect EFI wire harness for damage. Inspect harness yellow wire with engine temperature sensor closely for damage.
A broken temperature sensor can cause erratic engine performance.
Replace harness as a complete assembly as needed.
- (4) While still installed on the engine, inspect throttle body assembly for major damage.
Replace as needed.

5-4-2 INSPECT FUEL PUMP PULSE LINE

- (1) Inspect the fuel pump pulse line for any restriction, air leaks or damage Replace as needed
- (2) Inspect fuel pump cover on the bottom of the throttle body for cracks or damage. Pay close attention in the pulse fitting area for cracks.
- (3) Inspect throttle body pulse fitting. If throttle body pulse side fitting is loose, repair with green wicking grade Loctite #290 between fitting and pump cover.
- (4) With the throttle body installed on the engine:
Carefully remove fuel pump pulse line from throttle body pulse pump fitting
Do not damage throttle body when removing the pulse hose
Check for excessive oil in the fuel pump pulse hose If excessive oil is found, allow oil to drain from the pulse line and spray a small amount of carburetor cleaner into the pulse nipple on the fuel pump
After using the carburetor cleaner, blow low air pressure across the pulse nipple to draw out any oil or carburetor cleaner
DO NOT blow air directly into fuel pump or damage to the throttle body will occur
Re-assemble pulse line and re-check engine performance

5-4-3 INSPECT FILTERS AND TANK LINES

- (1) Check the air filter Replace as needed
- (2) Inspect the fuel feed pipe for any restriction or damage
Replace as needed
- (3) Check the fuel tank outlet filter as well Replace as needed
- (4) Inspect small fuel pump foam filter. Clean or replace as needed.
- (5) Inspect fuel injector pressure port cap. If damaged, replace.
- (6) Inspect the fuel return pipe for any restriction or damage.
Replace as needed .
- (7) Check fuel pump reducer breather hole below throttle body fuel inlet fitting for liquid. If reducer hole has liquid exiting hole when engine is pulled over or running, replace fuel pump diaphragm assembly.

6. INSTALLATION

6-1 FUEL SYSTEM

If the fuel tank is detached from the engine, the height from the bottom of the fuel tank to the fuel joint of the carburetor should be between 5 cm and 50 cm

Any detached tank must have a fuel filter in the fuel feed line with at least 30 micron particle filtration with a minimum flow rate of 200ml/30 seconds.

The fuel return line must be of at least 3mm inner diameter.

The fuel return line must return to the bottom surface of the fuel tank

An added fuel pump is not needed with the EFI system.

The fuel pump is already integrated into the throttle body assembly

The bottom of the fuel tank can be up to 20 cm below the throttle body

Position the fuel tank carefully because, when it is low, fuel is not fed to the throttle body

When piping the fuel, the hose should be as short as possible and attention should be paid to heat transmission, size, bending, leakage at hose joints and so on

Care should also be taken to prevent air lock and vapor lock

7. TROUBLESHOOTING

If the engine shows any sign of malfunction, the cause should be determined immediately and appropriate countermeasures should be taken to prevent the problem from worsening. This section describes certain known problems, their possible causes and appropriate countermeasures. Note, however, that the list of problems presented here is not all. Generally speaking, since there is the possibility of multiple causes for a single problem, please use your experience and common sense when deciding on what action to take.

7-1 ENGINE

The following three conditions must be fulfilled for satisfactory engine start.

1. The cylinder filled with a proper fuel-air mixture.
2. Good compression in the cylinder.
3. Good spark, properly timed, to ignite the mixture.

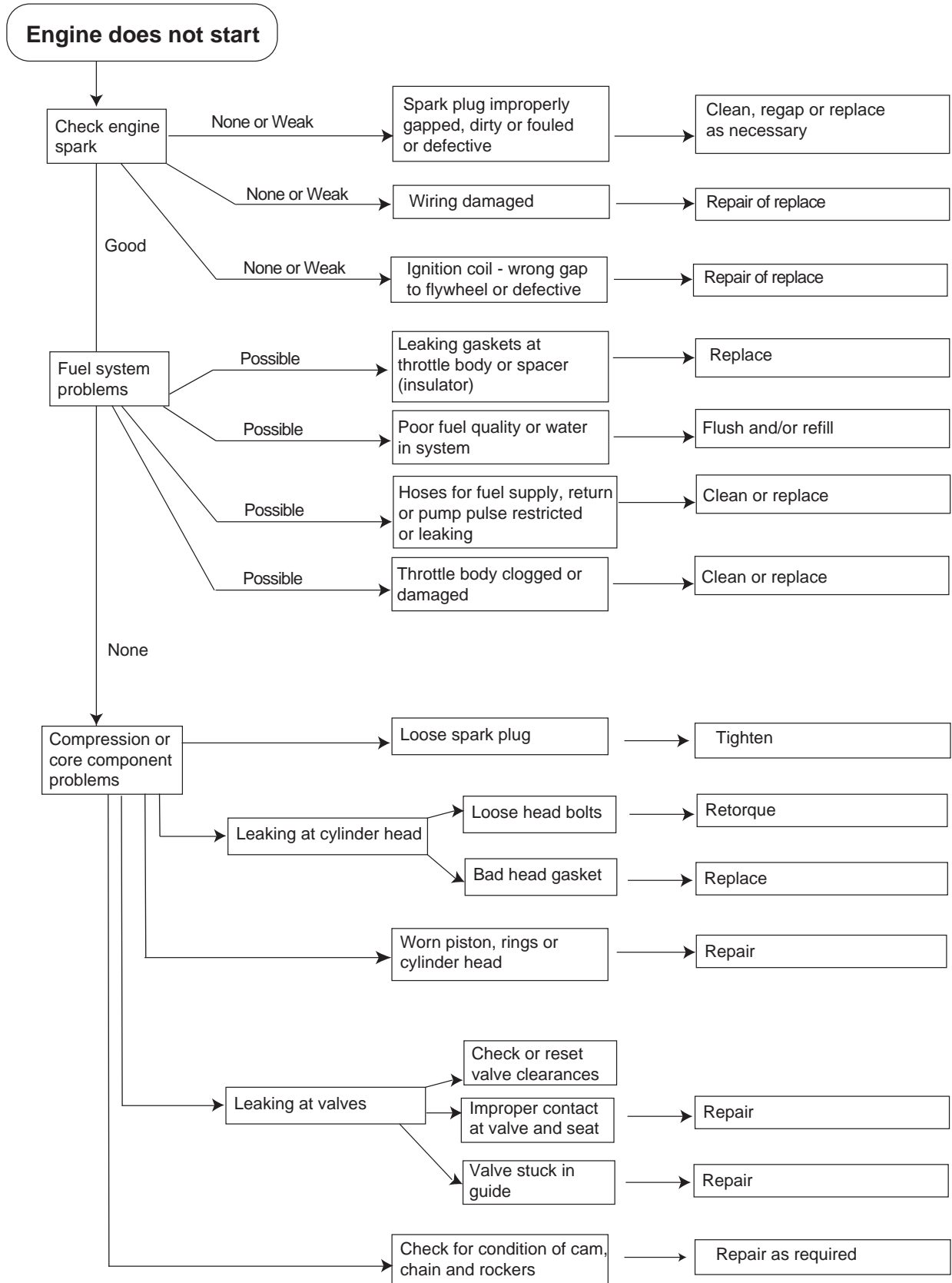
The engine cannot be started unless these three conditions are met. There are also other factors which make engine start difficult, e.g., a heavy load on the engine when it is about to start at low speed, and a high back pressure due to a long exhaust pipe.

Problem and possible cause		Remedy	
Starting difficulties	1. Ignition system problems	1) Spark plug <ul style="list-style-type: none"> • Improper spark plug gap • Insulation defect • Carbon deposits 	Adjust the gap Replace Clean
		2) Ignition coil <ul style="list-style-type: none"> • Insulation defect or discontinuity • Poor contact or broken wire 	Replace Repair or replace
		3) Improper air gap between ignition coil and flywheel	Adjust
		4) Bad wire harness	Replace
	2. Fuel system problems	1) No fuel in fuel tank	Refill
		2) Fuel hose, Return hose and Fuel pump pulse hose clogged or pinched	Clean or replace
		3) Air in fuel lines	Check and retighten joints
		4) Poor quality gasoline or water in gasoline	Replace
		5) Throttle body <ul style="list-style-type: none"> • Overflow • Clogged or damaged • Throttle valve malfunction (does not close fully) 	Adjust Overhaul Check and adjust
	3. Engine core components problems	1) Insufficient tightening of cylinder head bolts	Check and retighten
		2) Wearing of piston, piston rings and/or cylinder	Repair or replace
		3) Improper contact of valve and seat	Repair
		4) Valve sticking	Repair
5) Improper valve clearance		Adjust	
6) Leakage from intake manifold gasket		Retighten; replace gasket	
7) Leakage from carburetor gasket		Retighten; replace gasket	
8) Insufficient tightening of spark plug		Retighten	

Problem and possible cause		Remedy	
Poor output	1. Insufficient compression	1) Loosen spark plug	Retighten; replace gasket
		2) Leakage from cylinder head gasket	Retighten; replace gasket
		3) Piston ring seizure or wear	Replace
		4) Piston or cylinder wear	Repair or replace
		5) Incorrect valve and seat contact	Repair or replace
		6) Valve stem seizure	Repair or replace
		7) Improper valve clearance	Adjust
	2. Ignition system problems	1) Faulty spark plug	Replace
		2) Faulty ignition coil	Replace
		3) Improper air gap between ignition coil and flywheel	Adjust
		4) Demagnetization (flywheel magneto)	Replace
		5) Bad EFI wire harness	Replace
	3. Fuel system malfunction	1) Throttle body clogged	Inspect, replace
		2) Fuel strainer and/or hose clogged	Clean or replace
		3) Air in fuel lines	Check and retighten joints
		4) Leaky fuel pump pulse line	Replace
		5) Poor quality gasoline or water in gasoline	Replace
		6) Bad EFI wire harness	Replace
	4. Low air intake volume	1) Air cleaner clogged	Clean or replace
2) Throttle valve malfunction		Repair or replace	
Overheat	1. Engine	1) Cooling air flow obstructed at inlet or cylinder baffle portion	Clean
		2) Poor quality engine oil	Replace
		3) Lean fuel/air mixture	Check and adjust carburetor
		4) Excessive back pressure of exhaust system	Check and clean or replace
		5) Overloading	Adjust to rated load
Rough Idling	1. Throttle body	1) Low idling speed	Adjust
	2. Intake system	1) Air mixing from air intake system joints	Check and tighten; replace gasket
	3. Cylinder head	1) Gasket faulty (blow-by)	Replace
	4. Valve system	1) Improper valve clearance	Adjust
		2) Leakage from valve seat	Repair
		3) Excessive clearance between valve stem and guide	Replace
	5. Ignition system	1) Weak spark	Check; adjust or replace plug

Problem and possible cause		Remedy	
Excessive engine oil consumption	1. Oil leakage	1) Loose oil drain plug	Tighten
		2) Faulty oil drain gasket	Replace
		3) Loose main bearing cover bolts	Tighten
		4) Faulty main bearing cover gasket	Replace
		5) Crankshaft oil seal (front, rear) defect	Replace
	2. Oil up	1) Faulty piston oil ring	Replace
		2) Piston ring seizure, wear or poor contact	Replace
		3) Excessive wear of piston and/or cylinder	Replace
		4) Faulty stem seal	Replace
		5) Excessive oil level	Adjust oil level
		6) Breather defect	Repair or replace
High fuel consumption	1. Fuel system	1) Clogged air cleaner	Clean or replace
		2) Faulty throttle body	Repair or replace
	2. Engine core components	1) Low compression	Check and repair
		2) Overcooling	Check and adjust load and/or engine speed
Abnormal engine noise	1. Ignition system problems	1) Loose ignition system wiring	Inspect and tighten
		2) Improper or faulty spark plug	Clean or replace
	2. Fuel system problems	1) Lean or rich fuel/air mixture	Clean, adjust or replace throttle body
		2) Throttle body contamination	Inspect, adjust, or replace
		3) Dirty or clogged fuel lines	Clean or replace
		4) Air mixing from air intake system joints	Tighten; replace gasket
	3. Cylinder head	1) Carbon deposit in combustion chamber	Clean
		2) Leakage from cylinder head gasket	Replace
	4. Valve system problems	1) Improper valve clearance	Adjust
		2) Valve heat deterioration	Replace
		3) Worn or broken valve spring	Replace
		4) Improper valve timing	Adjust

ENGINE WILL NOT START



8. MAINTENANCE AND STORAGE

The maintenance jobs described below apply to correct use of the engine under normal conditions.

The maintenance intervals mentioned in this section are not a guarantee that no maintenance is required during those intervals.

For example, when the engine is used in dusty conditions, the air cleaner should be cleaned every day, rather than every 100 hours.

8-1 DAILY MAINTENANCE (EVERY 8 HOURS OF USE)

MAINTENACE ITEMS	REASON / REMARKS
(1) Clean dust from engine.	(1) Dust can impair operation of various parts. Governor linkage is especially sensitive to dust.
(2) Check for fuel leakage. Tighten or replace parts, if necessary.	(2) Uneconomical and dangerous.
(3) Check all parts are securely fastened. Tighten, if necessary.	(3) Looseness can result in vibration and accidents.
(4) Check oil level and add up to full mark.	(4) Running the engine with insufficient oil can result in serious problems, including engine seizure.
(5) Check that the air cleaner element is clean. Clean or replace, if necessary.	(5) A clogged air cleaner can cause power loss and malfunction.

8-2 INSPECTION AND MAINTENANCE AFTER THE FIRST 20 HOURS

MAINTENACE ITEMS	REASON / REMARKS
(1) Change the crankcase oil.	(1) Sludge is deposited during running-in.

8-3 INSPECTION AND MAINTENANCE EVERY 100 HOURS (EVERY 10 DAYS)

MAINTENACE ITEMS	REASON / REMARKS
(1) Change the crankcase oil.	(1) Contaminated oil quickens wear.
(2) Clean the air cleaner and fuel tank outlet filter.	(2) A clogged air cleaner and fuel filter can cause engine malfunction.
(3) Inspect the spark plug. Clean with gasoline or polish with sandpaper if dirty.	(3) A faulty spark plug can cause low power output and poor starting performance.

8-4 INSPECTION AND MAINTENANCE EVERY 100 TO 200 HOURS (EVERY MONTH)

MAINTENACE ITEMS	REASON / REMARKS
(1) Clean the fuel strainer and fuel tank.	(1) Contaminated fuel can cause engine malfunction.
(2) Change the air cleaner element and fuel tank filter.	(2) A clogged air cleaner and fuel filter can cause engine malfunction.

8-5 INSPECTION AND MAINTENANCE EVERY 300 HOURS

MAINTENANCE ITEMS	REASON / REMARKS
(1) Inspect the intake and exhaust valve clearance. Adjust if necessary.	(1) Incorrect clearance can cause low power output and engine malfunction.

8-6 INSPECTION AND MAINTENANCE EVERY 500 TO 600 HOURS (EVERY 6 MONTHS)

MAINTENANCE ITEMS	REASON / REMARKS
(1) Remove the cylinder head and remove any carbon. (2) Disassemble and clean the carburetor.	(1) Carbon deposits can cause engine malfunction. (2) A faulty carburetor can cause engine malfunction.

8-7 MAINTENANCE EVERY 1,000 HOURS (ANNUAL MAINTENANCE)

MAINTENANCE ITEMS	REASON / REMARKS
(1) Overhaul the engine. Clean and correct the engine parts, replacing if necessary. (2) Replace the piston rings. (3) Replace the fuel hose.	(1) Dirty, misaligned or worn parts can cause low power output and engine malfunction. (2) Faulty piston rings can cause low output power and engine malfunction. (3) To prevent fuel leakage and attendant dangers.

8-8 ENGINE STORAGE

- (1) Carry out the maintenance jobs described in step 8-1 above.
- (2) Drain fuel from the fuel tank and carburetor float chamber.
- (3) To prevent rust in the cylinder bore, inject oil through the spark plug hole, pull the recoil starter knob gently 2 or 3 times and then put back the spark plug.
- (4) Pull the recoil starter knob until the resistance is heavy. Leave it in that position.
- (5) Clean the exterior of the engine with an oiled cloth. Place a plastic cover or similar over the engine, and store the engine in a dry place.

9. ORGANIZE

Most people know that engines will require daily and periodic maintenance, but it's also important to be aware of the audible and visual signs of unexpected maintenance needs. Operators should also take into consideration working conditions and how they affect engine performance. Proper engine storage shouldn't be overlooked either.

Addressing the small issues early on, making appropriate environmental adjustments and following storage guidelines will all help prevent engine troubles from creeping up in the future.

9-1 TROUBLESHOOTING

If an engine is experiencing hard starts, check the oil level and add or drain oil until to the proper crankcase level. Turn the ignition switch to off, pull 5 or 6 times, then turn switch back to on and start engine normally. Following this extra starting procedure on an EFI engine will ensure the cylinder is not flooded and/or ensure the fuel system has been purged of excess air.

If an engine is still experiencing hard starts, the valve clearance on the intake and exhaust valves should be checked and adjusted according to manufacturer specifications. When checking the valve clearance, position the piston at the top dead center of the compression stroke and ensure the engine is cold. After the clearance is adjusted, rotate the crankshaft and check the valve clearance again.

A reduction in power often is an indication that the fuel tank outlet filter and/or cylinder head needs to be inspected and cleaned. Check the oil level and add or drain the oil until to the proper level. Check the air filter and fuel tank outlet filter as well. Check the fuel pump pulse line for any restriction, air leaks or damage. Replace as needed. Check the cylinder head's valves, seats, ports and guides and remove any carbon or gum deposits from the components.

If the recoil rope hangs loose and doesn't completely return, it could be a sign that water has intruded the engine. This indicates the lubricant may have been washed off. Remove the recoil return and apply additional lubrication to fix the problem. Ignoring the issue can result in a broken rope or eventual damage to the recoil starter.

Additionally, a loss of power or a smoking engine may signal an internal engine problem. Blue-colored smoke indicates that the engine is using oil, a problem that tends to be more common on cold days. Look to see if the breather hoses are plugged and check the piston rings, which may be bad, to determine the cause of the smoke.

If the smoke is black in color, it typically indicates that the mixture is too rich. Incorrect mixtures of air and fuel cause the majority of throttle body problems; therefore, it is important to prevent clogged air passages and fuel passages that keep air and fuel from flowing freely. Check the throttle body for dirty or defective parts and clean or replace the entire throttle body assembly if needed. Check the throttle body fuel feed and return lines for any restriction or damage. Replace as needed. A change in elevation also may cause black smoke, in which case the engine should be modified to handle the difference. If basic troubleshooting maintenance techniques fail to work, have a trained mechanic conduct a leakdown test or compression test to determine the cause for any smoking or power reduction.

Like smoke colors, different noises also can indicate specific problems. For instance, if the engine begins to make a popping noise or backfire, the mixture of fuel and air is likely too lean in the throttle body. A knocking noise will generally indicate a worn connecting rod, while a tinny or metallic sound may mean something is loose.

9-2 ADJUSTING FOR THE ENVIRONMENT

In addition to a regular maintenance routine, some application circumstances require special care, such as high altitudes, heat and cold.

Altitudes above 5,000 feet may cause engines to start hard and perform poorly. Emissions also are typically higher, and operators may experience trouble with spark plugs. Modifying the throttle body can improve both performance and emission levels. Moving to a job site below 5,000 feet requires converting the engine back to levels recommended by the manufacturer. Failure to do so will cause the engine to overheat and can result in damage.

Operating an engine after the mercury has surpassed 100 degrees Fahrenheit also can be problematic. Ensuring dirt does not obstruct an engine's cooling mechanisms will help prevent problems with overheating. However, do not attempt to cool a hot engine with water since the temperature difference will likely damage the engine.

Operators also should check and change the oil and oil filter more frequently than normal when using an engine in hot weather. Take the heat into account when choosing the oil's viscosity, as well.

On the other end of the thermometer, monitoring the oil's viscosity remains important. If a cold front should move in before the oil has been changed to a more appropriate viscosity, move the machine to a warm, well-ventilated space before attempting to start the engine or change the oil.

Keeping the fuel tank full will prevent moisture from condensing inside the tank when it's cold, which can cause problems with engine operation. Ensuring the battery remains well-charged also will combat problems an operator may face in a cold environment.

One trick to ease frustration if the machine needs to remain outside and an ice storm is anticipated is to push the throttle to the middle of its speed range. Should ice form on the linkage, it will be easier to start the engine with the throttle in this position.

9-3 SUITING UP FOR STORAGE

Whether it's the off-season or other circumstances prevent operating your engine-powered equipment for more than 30 days, special steps need to be taken to protect the engine.

The first step in preparing an engine for storage is performing all of the suggested daily maintenance items, such as cleaning the engine and checking the air filter. Next, run the engine completely out of fuel or drain the fuel from the fuel tank . This is one of the most important steps in preparing an engine for storage. Over time the volatile components of fuel evaporate and the fuel becomes stale. Stale fuel makes starting the engine difficult, if not impossible, when the machine is taken out of storage. Although it is usually suggested to drain the fuel, filling the tank with new fuel and adding a fuel stabilizer is another option for preventing a stale situation.

To prevent corrosion in the cylinder bore during storage, remove the spark plug and inject a few drops of oil through the spark plug hole. Gently pull the recoil starter knob two or three times before the spark plug is placed back in the spark plug hole. Additionally, pull the recoil starter knob until the resistance is felt, and leave it in that position. End the process with a final engine cleaning before placing a protective cover over the unit and storing it in a dry place.

When returning the engine to service, ensure the oil viscosity is adequate for the temperatures expected. Check the fuel lines and filter, making sure they are still secure and have not cracked. Be sure that the throttle, choke and governor linkages move freely before starting the engine.

The initial start for an engine coming out of storage may be slow and there could be smoke for a few minutes until any oil in the cylinder burns off. If the engine fails to start, check the spark plug since it may have been fouled by the oil added to the cylinder before the machine was stored. Clean or replace the spark plug before attempting to start the engine again.

Whether you're preparing an engine for storage, adapting it to the weather or just keeping an eye out for warning signs, giving an engine the attention it deserves will go a long way toward keeping it out of trouble.



SUBARU



PRINTED IN THE USA